



US00D947992S

(12) **United States Design Patent**
Yang et al.

(10) **Patent No.:** **US D947,992 S**

(45) **Date of Patent:** **** Apr. 5, 2022**

(54) **SPRAY GUN**

(71) Applicant: **Zhejiang Prulde Electric Appliance Co., Ltd., Zhejiang (CN)**

(72) Inventors: **Weiming Yang, Zhejiang (CN); Ting Han, Zhejiang (CN)**

(73) Assignee: **Zhejiang Prulde Electric Appliance Co., Ltd., Zhejiang (CN)**

(**) Term: **15 Years**

(21) Appl. No.: **29/718,533**

(22) Filed: **Dec. 26, 2019**

(51) **LOC (13) Cl.** **23-01**

(52) **U.S. Cl.**
USPC **D23/226**

(58) **Field of Classification Search**
USPC D23/207, 213, 223, 225, 226, 356, 360;
D15/9; D32/53
CPC .. B05B 5/025; B05B 5/03; B05B 5/16; B05B
5/1691; B05B 7/0018; B05B 7/0093;
B05B 7/02; B05B 7/06; B05B 7/062;
B05B 7/064; B05B 7/12; B05B 7/129;
B05B 7/24; B05B 7/2475; B05B 7/2478;
B05B 15/60; B05B 15/63

See application file for complete search history.

(56) **References Cited**

U.S. PATENT DOCUMENTS

D503,215 S *	3/2005	Stevens	D23/225
D519,603 S *	4/2006	Schumann	D23/225
7,360,720 B2 *	4/2008	Gohring	B05B 7/2416 118/300
D573,226 S *	7/2008	Everett	D23/225
D657,846 S *	4/2012	Crawley	D23/225
D664,628 S *	7/2012	Zhou	D23/225
D713,500 S *	9/2014	Muhl	D23/225
8,944,348 B2 *	2/2015	Zhou	B05B 7/2416 239/355

D723,659 S *	3/2015	Tullney	D23/225
D757,897 S *	5/2016	Tullney	D23/223
D758,536 S *	6/2016	Olson	D23/225
D759,199 S *	6/2016	Wrobel	D23/225
9,480,997 B2 *	11/2016	Gang	B05B 7/0823
D782,006 S *	3/2017	Robinson	D23/225
D796,004 S *	8/2017	Yang	D23/225
D809,099 S *	1/2018	Tullney	D23/225

(Continued)

FOREIGN PATENT DOCUMENTS

CN	305239542	*	7/2019
EM	006302311-0002	*	4/2019

OTHER PUBLICATIONS

Neu Master NSG0070 Electric Spray Gun, Mar. 16, 2020, Amazon, site visited Aug. 30, 2021: <https://www.amazon.com/dp/B085Y1TM2M/> (Year: 2020).*

(Continued)

Primary Examiner — Jack Reickel
Assistant Examiner — Bobby W Jones, II
(74) *Attorney, Agent, or Firm* — JCIP Global Inc.

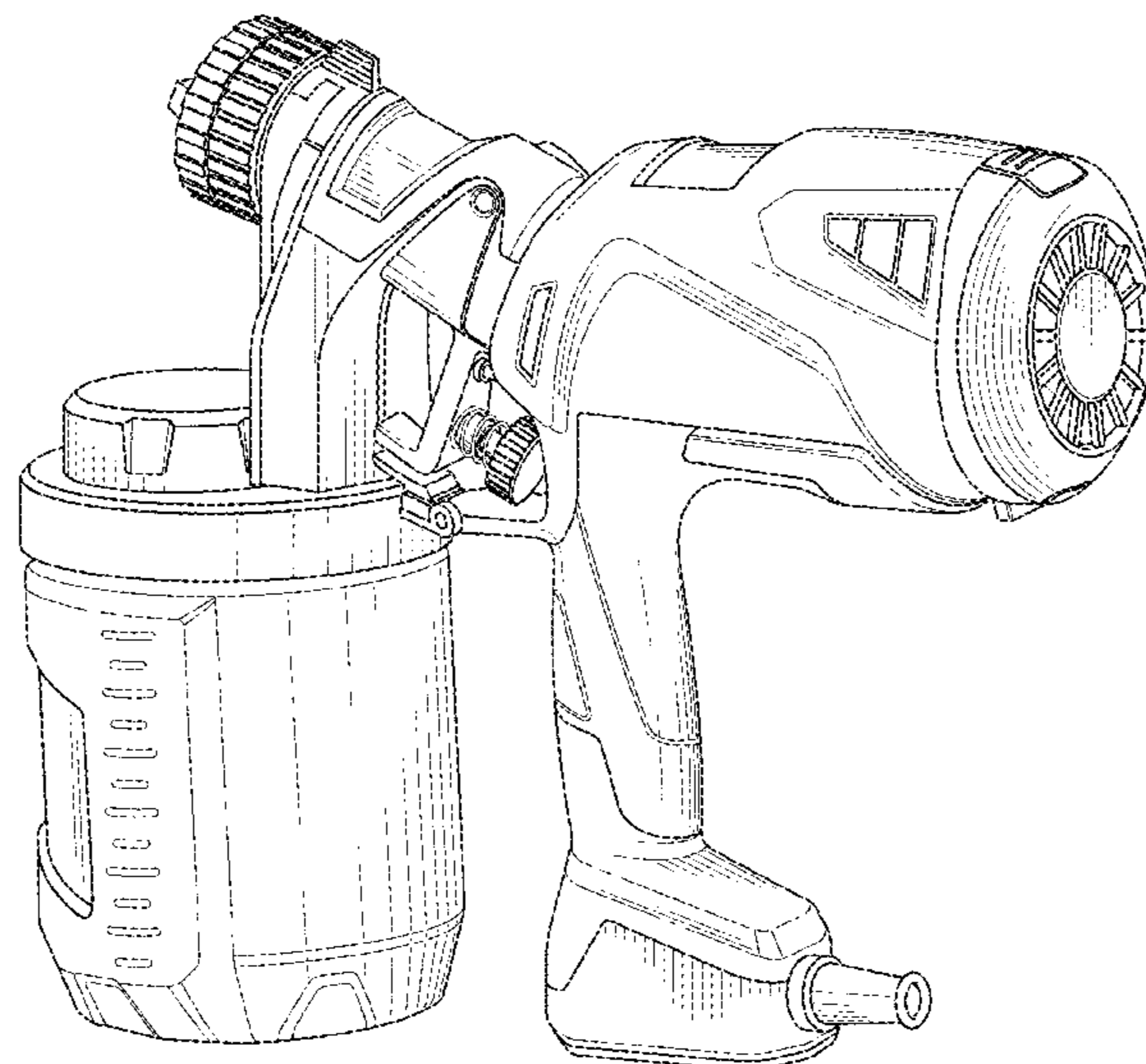
(57) **CLAIM**

The ornamental design for a spray gun, as shown and described.

DESCRIPTION

FIG. 1 is a perspective view of a spray gun showing our new design;
FIG. 2 is a front view thereof;
FIG. 3 is a rear view thereof;
FIG. 4 is a right side view thereof;
FIG. 5 is a left side view thereof;
FIG. 6 is a top view thereof; and,
FIG. 7 is a bottom view thereof.
The broken line showing of portions of the spray gun forms no part of the claimed design.

1 Claim, 5 Drawing Sheets



(56)

References Cited

U.S. PATENT DOCUMENTS

D828,495 S * 9/2018 Mazur D23/225
D844,106 S * 3/2019 Dawson D23/225
10,421,087 B2 * 9/2019 Yang B05B 7/241
D926,930 S * 8/2021 Camille D23/225
2011/0114749 A1 * 5/2011 Munn B05B 7/2405
239/74
2011/0174900 A1 * 7/2011 Munn B05B 9/0861
239/303
2013/0240641 A1 * 9/2013 Kinne B05B 5/1691
239/289
2016/0059252 A1 * 3/2016 Krayner B05B 7/2478
239/337
2017/0304853 A1 * 10/2017 Krayner B05B 7/2416
2018/0178228 A1 * 6/2018 Kinne B05B 9/0861

OTHER PUBLICATIONS

Wagner W590 Point Sprayer, Jan. 18, 2016, Amazon, site visited Aug. 30, 2021: <https://www.amazon.co.uk/dp/B01BUDJ6TG/> (Year 2016).*

Ginour Point Sprayer, Jun. 2, 2019, Amazon, site visited Aug. 30, 2021: <https://www.amazon.co.uk/dp/B07SPYFTRZ/> (Year: 2019).*

* cited by examiner

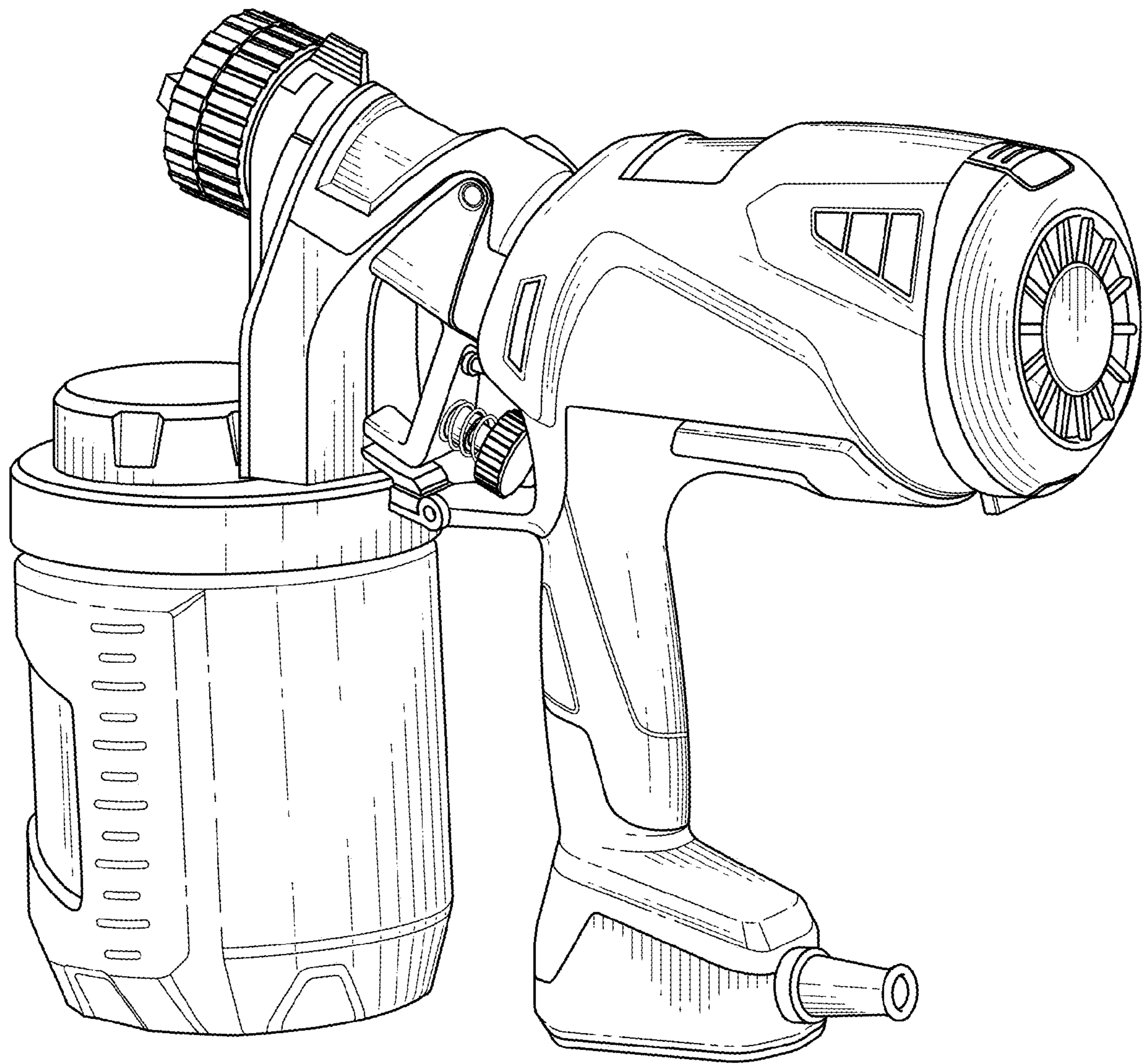


FIG. 1

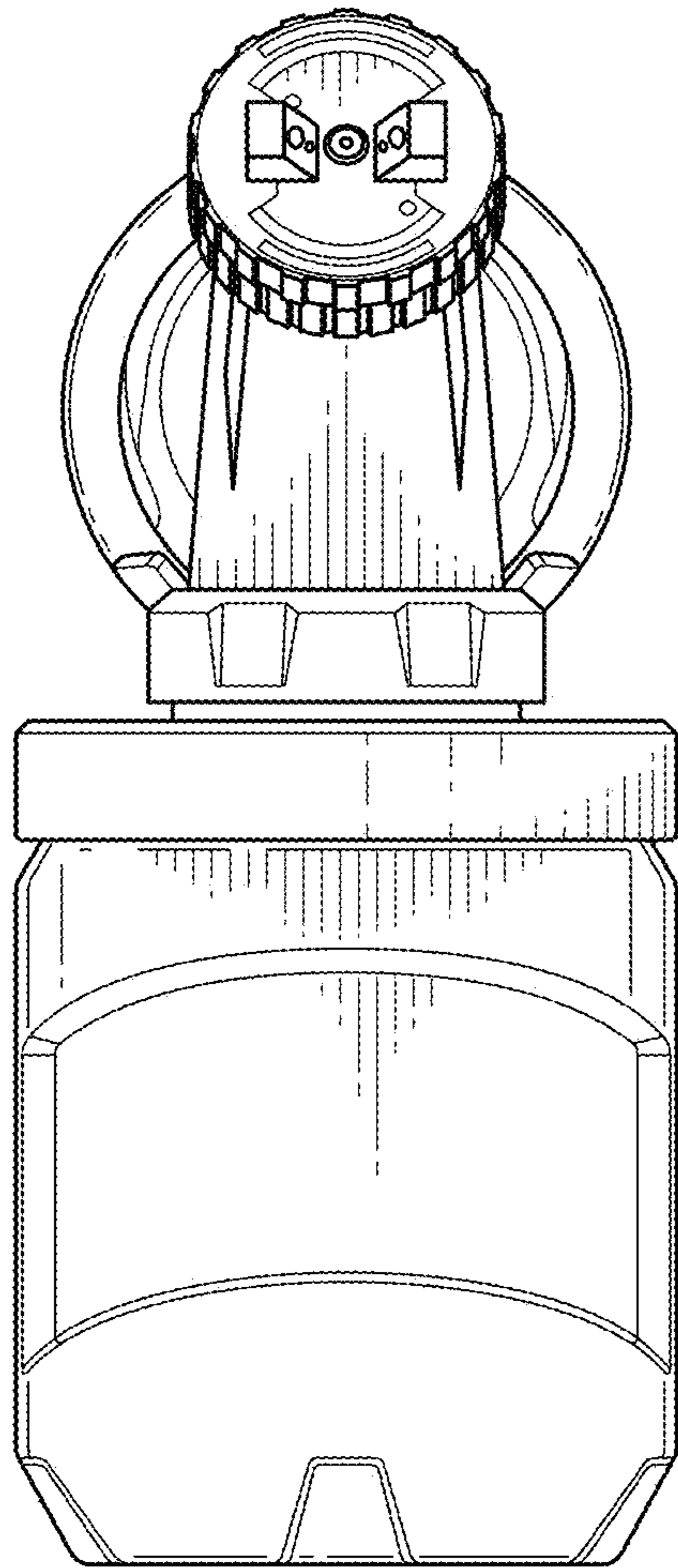


FIG. 2

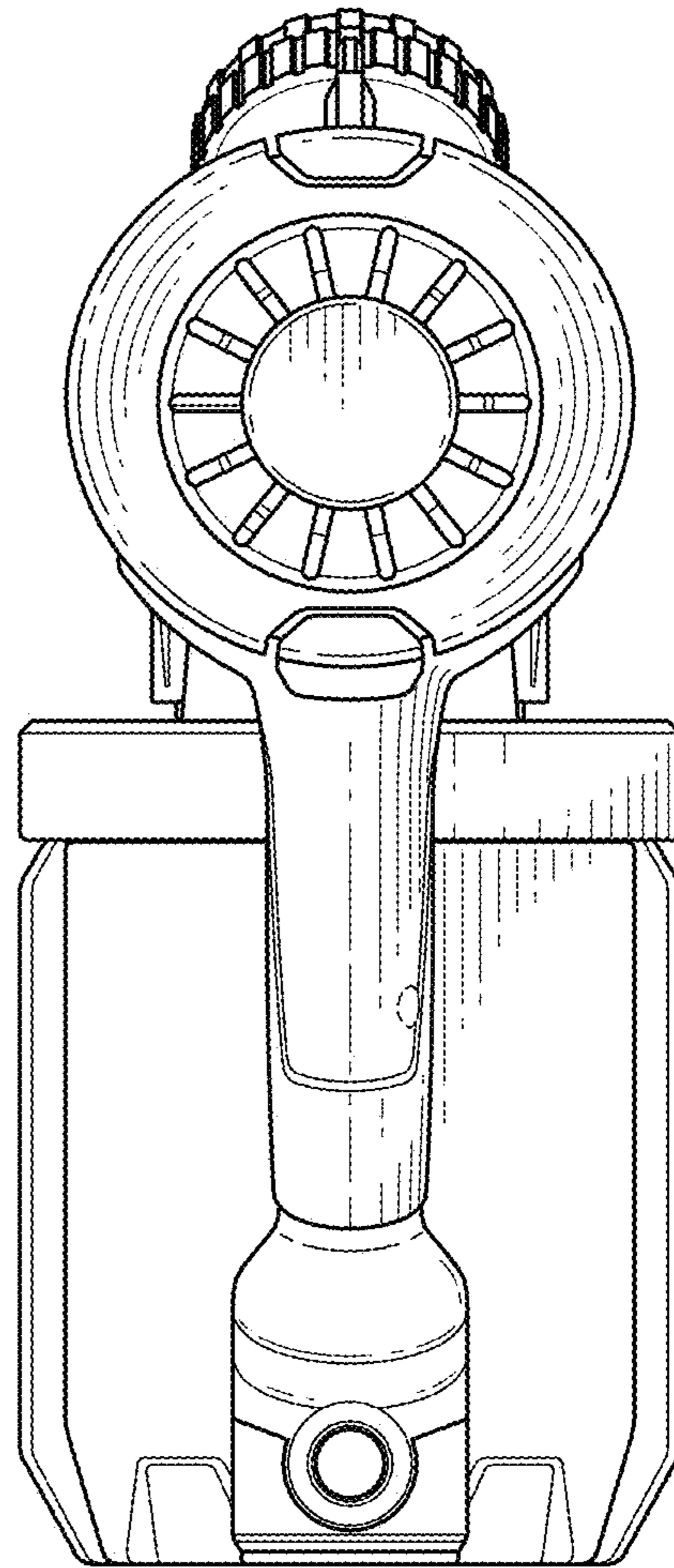


FIG. 3

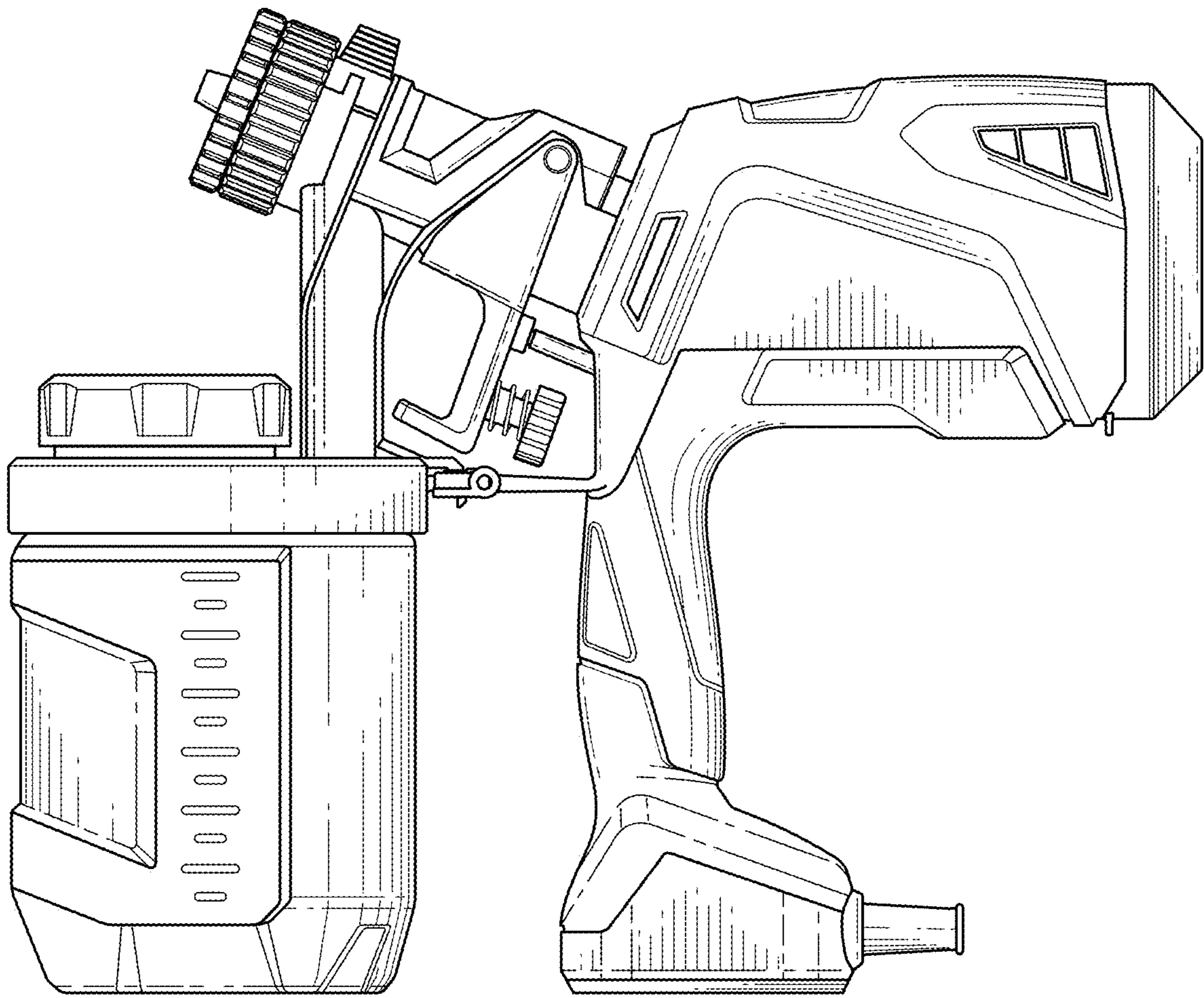


FIG. 4

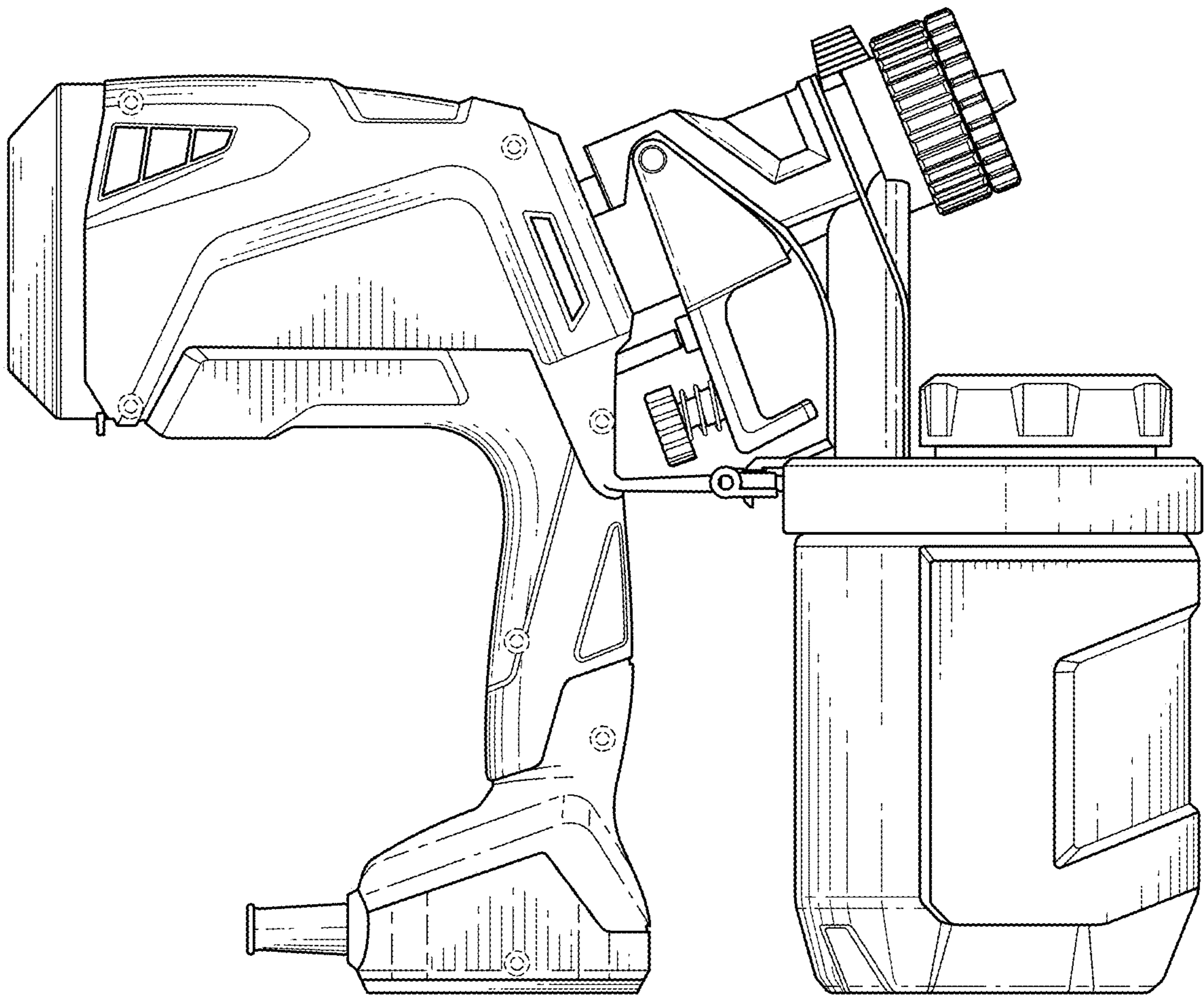


FIG. 5

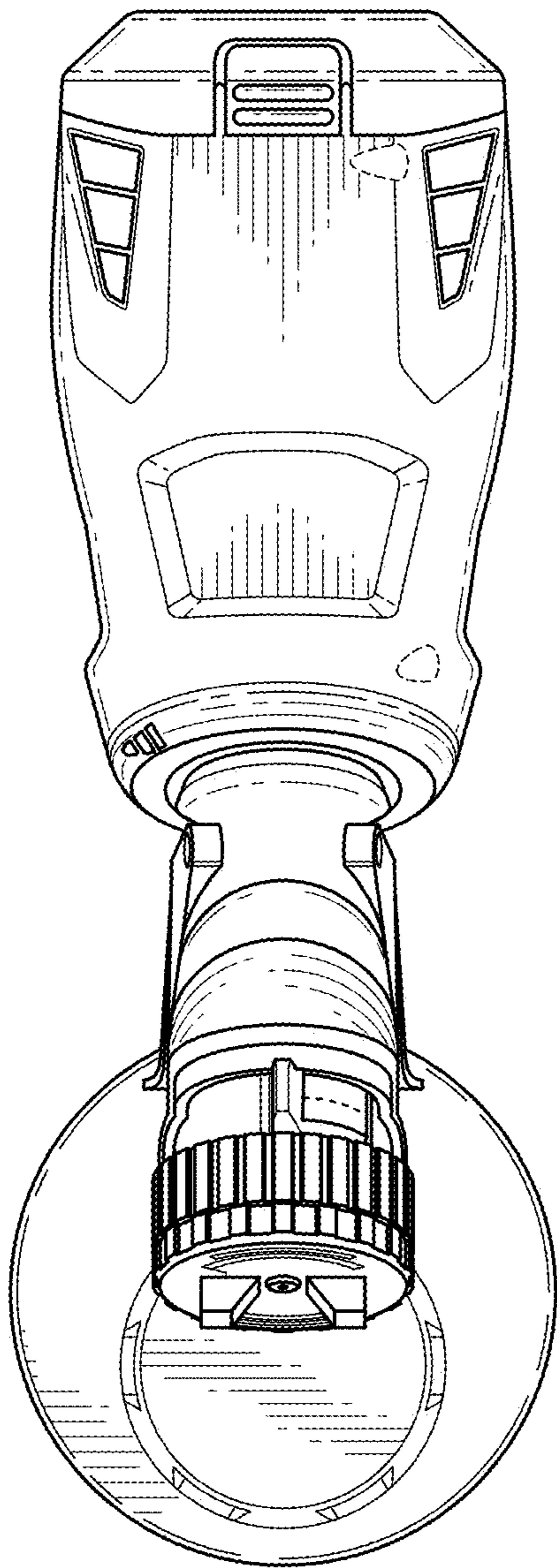


FIG. 6

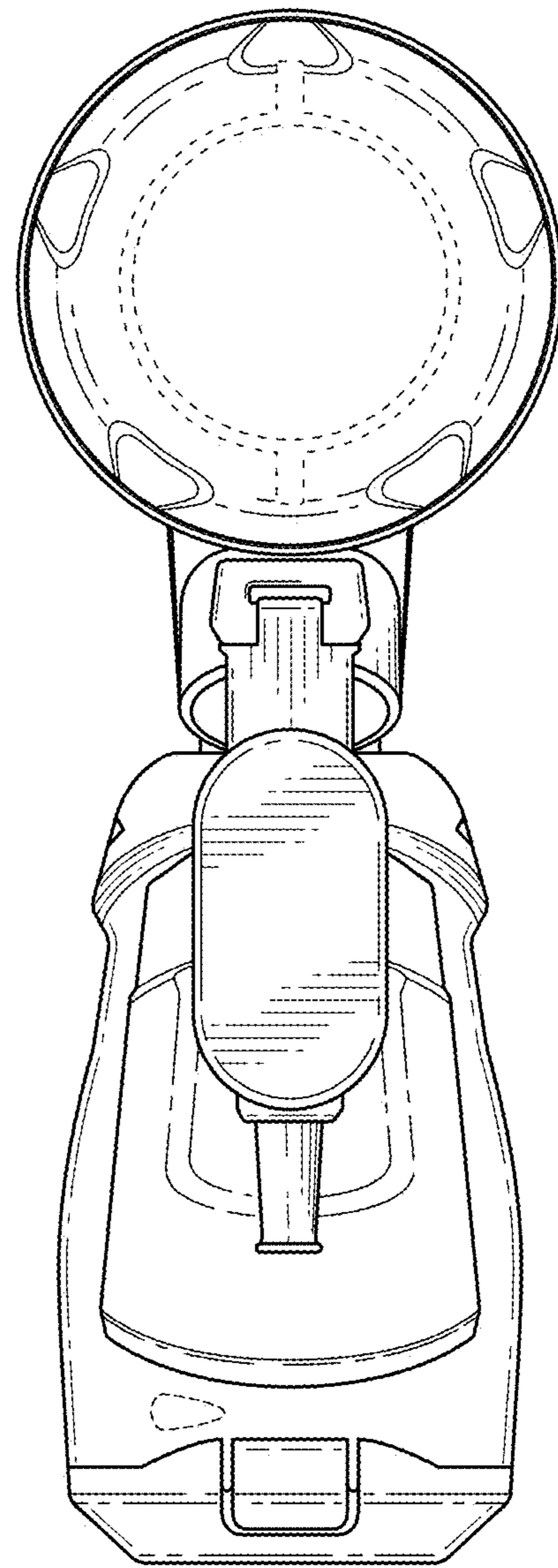


FIG. 7