



US00D947989S

(12) **United States Design Patent** (10) **Patent No.:** **US D947,989 S**
Cadkin et al. (45) **Date of Patent:** **** Apr. 5, 2022**

(54) **FLUID DISPENSING STAND AND INSERT**

(71) Applicant: **Sani-Spire Corp.**, Joliet, IL (US)

(72) Inventors: **Steve Cadkin**, Joliet, IL (US); **Mike Zambon**, New Lenox, IL (US)

(73) Assignee: **Sani-Spire Corp.**, Joliet, IL (US)

(**) Term: **15 Years**

(21) Appl. No.: **29/771,453**

(22) Filed: **Feb. 23, 2021**

(51) **LOC (13) Cl.** **23-01**

(52) **U.S. Cl.**
USPC **D23/208**

(58) **Field of Classification Search**
USPC D23/202, 206-209, 211, 211.1, 211.2,
D23/213-213; D24/162
CPC A62C 31/02; B01D 35/30; B01D 29/25;
B01D 29/112; B01D 29/111; B01D
35/34; B01D 2201/52; C02F 1/003
See application file for complete search history.

(56) **References Cited**

U.S. PATENT DOCUMENTS

1,061,099 A 5/1913 Miller
D563,705 S 3/2008 Binderbauer et al.
D671,346 S 11/2012 Zlatic et al.
D719,636 S * 12/2014 Reed B05B 15/68
D23/209
D730,077 S 5/2015 Watson et al.
(Continued)

FOREIGN PATENT DOCUMENTS

DE 202020101674 U1 4/2020
DE 202020001634 U1 5/2020
(Continued)

OTHER PUBLICATIONS

Maxmpf, LG-M27 Foot-operated Gel Column Soap Sanitizer Pedal
Foot Pump Dispenser, web page, [retrieved on Jan. 2021], pp. 1-4,

MaxMPF, Retrived from the Internert <URL: <https://www.maxmpf.com/products/lg-m27-foot-operated-gel-column-soap-sanitizer-pedal-foot-pump-dispenser/>>.

(Continued)

Primary Examiner — Karen S Acker

Assistant Examiner — Jonathan E Fiencke

(74) *Attorney, Agent, or Firm* — Nyman IP LLC; Scott Nyman

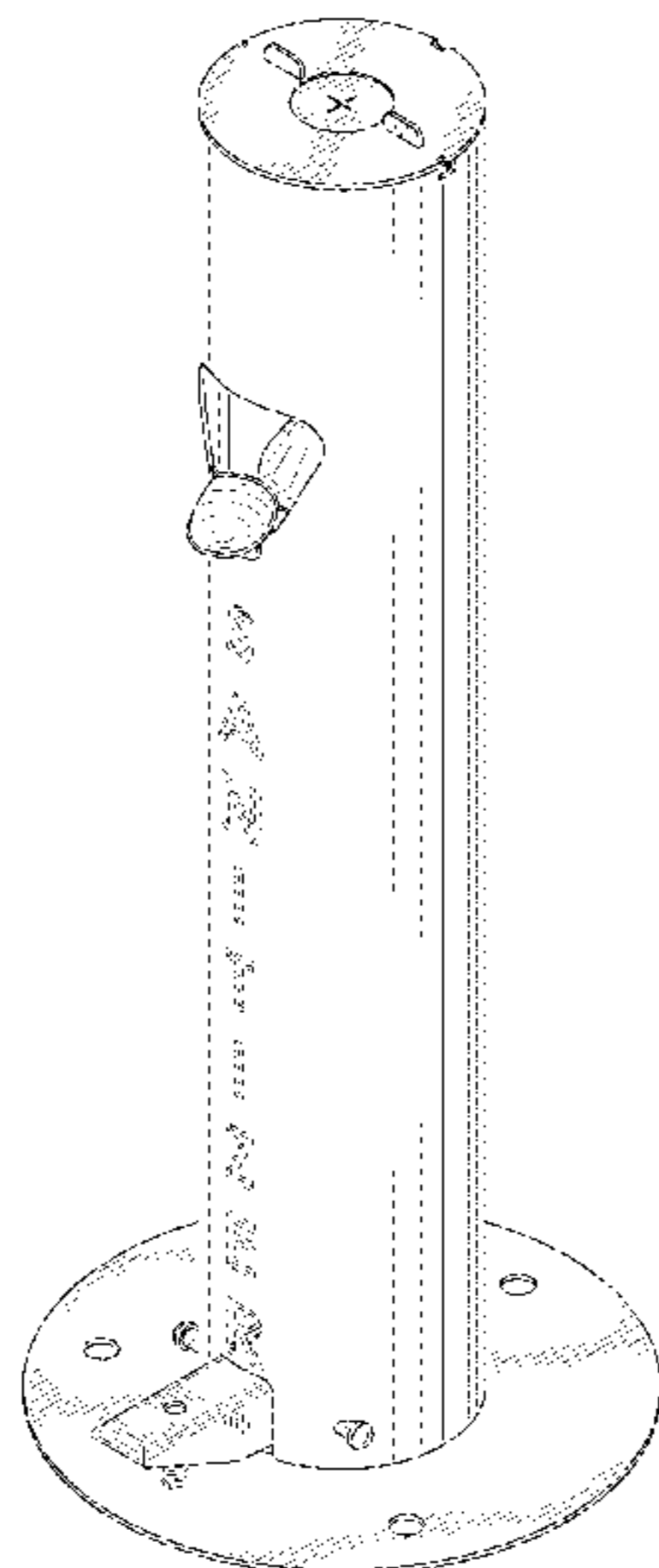
(57) **CLAIM**

The ornamental designs for a novel fluid dispensing stand and insert, as shown and described.

DESCRIPTION

FIG. 1 is a perspective view of a fluid dispensing stand and insert as assembled;
FIG. 2 is a front elevation view, thereof;
FIG. 3 is a rear elevation view, thereof;
FIG. 4 is a left side elevation view, thereof;
FIG. 5 is a right side elevation view, thereof;
FIG. 6 is a top plan view, thereof;
FIG. 7 is a bottom plan view, thereof;
FIG. 8 is a perspective view of the insert of the fluid dispensing stand and insert of FIG. 1 with the drip tray for attachment to the housing included in the view;
FIG. 9 is a front elevation view, thereof;
FIG. 10 is a rear elevation view, thereof;
FIG. 11 is a left side elevation, thereof;
FIG. 12 is a right side elevation view, thereof;
FIG. 13 is a top plan view, thereof;
FIG. 14 is a bottom plan view, thereof;
FIG. 15 is a top perspective view of the of the fluid dispensing stand and insert of FIG. 1, disassembled; and,
FIG. 16 is a bottom perspective view, thereof.
The broken lines in the drawings depict portions of the fluid dispensing stand and insert that form no part of the claimed design.

1 Claim, 13 Drawing Sheets



(56)

References Cited

U.S. PATENT DOCUMENTS

D731,024	S	*	6/2015	Elliott	D23/207
D736,345	S	*	8/2015	Robbins	D23/209
D767,713	S	*	9/2016	Biltoft	D23/209
D812,395	S		3/2018	Buell et al.		
D812,928	S		3/2018	Buell et al.		
D814,208	S		4/2018	Mann		
D815,454	S		4/2018	Mann		
D818,739	S		5/2018	Buell et al.		
D835,923	S	*	12/2018	Buell	D6/542
D845,663	S	*	4/2019	Buell	D6/542
D885,665	S		5/2020	Richter et al.		
D895,061	S	*	9/2020	Zou	D23/209
D913,420	S	*	3/2021	Sugawara	C02F 1/002 D23/223
D927,637	S	*	8/2021	Chen	D23/209
D930,786	S	*	9/2021	Huang	D23/207
2012/0187146	A1		7/2012	Chopra		
2016/0376162	A1	*	12/2016	Dani	C02F 1/002 210/266
2017/0112121	A1	*	4/2017	Ryan	B05B 15/68
2021/0016207	A1	*	1/2021	Kemmer	B01D 29/58

FOREIGN PATENT DOCUMENTS

DE	202020102318	U1	5/2020	
DE	202020002169	U1	6/2020	
DE	202020102603	U1	6/2020	
DE	202020105019	U1	9/2020	
EP	RCD002483016-0001		6/2014	
IN	331430-002-0001		8/2020	
IN	330783-001-0001		9/2020	
IN	332953-001-0001		10/2020	
IN	334501-001-0001		11/2020	

OTHER PUBLICATIONS

GLOBAL Industrial, Shield Foot Pedal Activated Hand Sanitizer Stand, web page, [retrieved on Jan. 2021], pp. 1-2, GLOBAL Industrial, Retrieved from the Internet <URL: https://www.globalindustrial.com/p/janitorial-maintenance/bathroom/hand-sanitizers/shield-dispenser-foot-pedal-activated-hand-sanitizer-stand?infoParam.campaignId=T9F&gclid=EAlalQobChMlhsXyoKTL7glVUtBACH1alAWJEAkYAyABEglJrfD_BwE>.

Home Depot, OX Tools Hand Sanitizer Dispenser, Touchless Pedal Activated Stand, 100% Mechanical—No Batteries or Power Needed, web page, [retrieved on Jan. 2021], pp. 1-3, Home Depot, Retrieved from the Internet <URL: <https://www.homedepot.com/p/OX-Tools-Hand-Sanitizer-Dispenser-Touchless-Pedal-Activated-Stand-100-Mechanical-No-Batteries-or-Power-Needed-OX-SANST-PEDESTALUS/314280180>>.

WB Mason, Germs Be Gone® Hand Sanitizer Dispensing Floor Stand, Foot Pedal, Stainless Steel, web page, [retrieved on Jan. 2021], pp. 1-2, WB Mason, Retrieved from the Internet <URL: <https://www.wbmason.com/ProductDetail.aspx?ItemDesc=Germs-Be-Gone-Hand-Sanitizer-Dispensing-Floor-Stand-Foot-Pedal-Stainless-Steel&ItemID=GBGPEDALSTANDSS&uom=EA>>.

The Daily Moss, Introducing Sani-Spire: The Touchless Foot Operated Hand Sanitizer Dispensing Station, web page, Jul. 18, 2020, pp. 1-4, The Daily Moss, Retrieved from the Internet <URL: <https://www.dailymoss.com/introducing-sani-spire-the-touchless-foot-operated-hand-sanitizer-dispensing-station/>>.

Sani-Spire, Sani-Spire Foot Operated Standing Hand Sanitizer Dispenser with Sign, web page, [retrieved on Jan. 2021], pp. 1-11, Sani-Spire, Retrieved from the Internet <URL: https://sanispire.com/products/sani-spire-foot-operated-hand-sanitizer-dispensing-station?variant=34657681834139¤cy=USD&utm_medium=product_sync&utm_source=google&utm_content=sag_organic&utm_campaign=sag_organic&gclid=EAlalQobChMlhsXyoKTL7glVUtBACH1alAWJEAQYAiABEgJFhvD_BwE>.

* cited by examiner

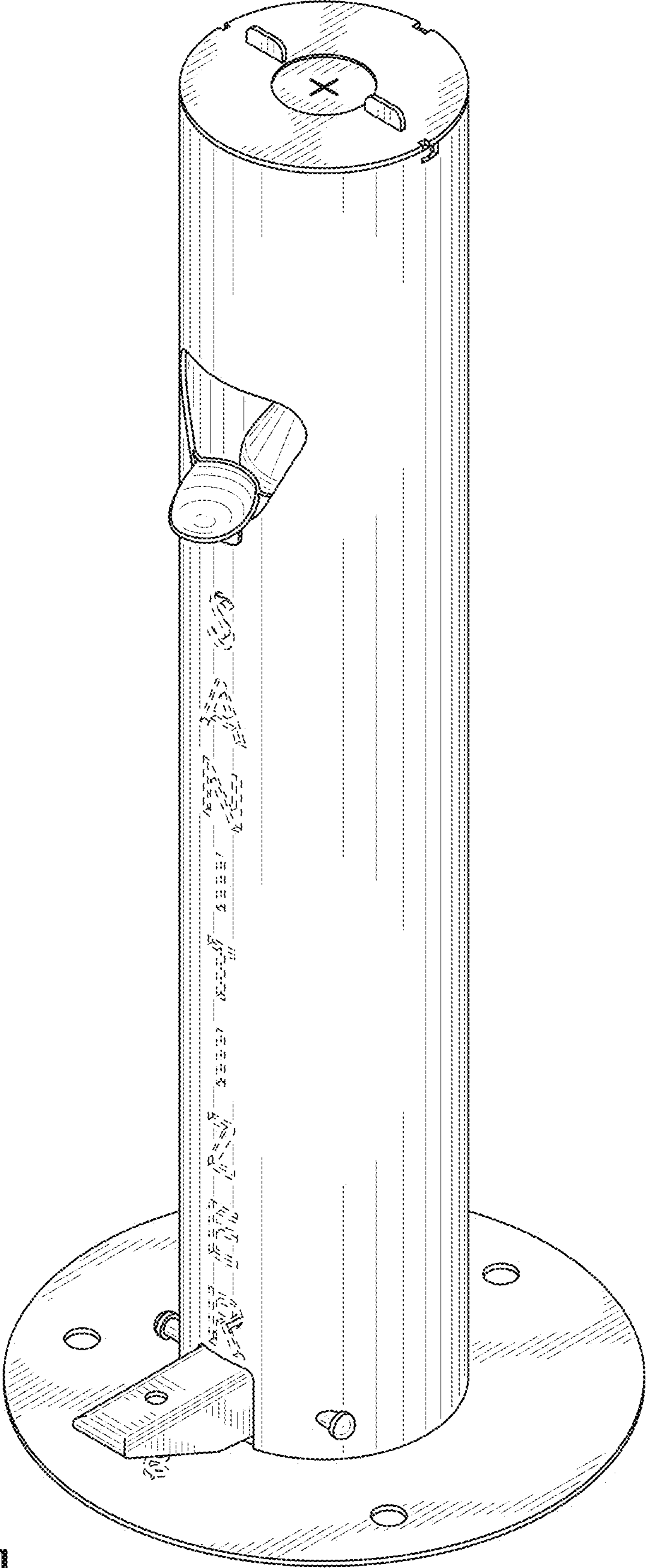


FIG. 1

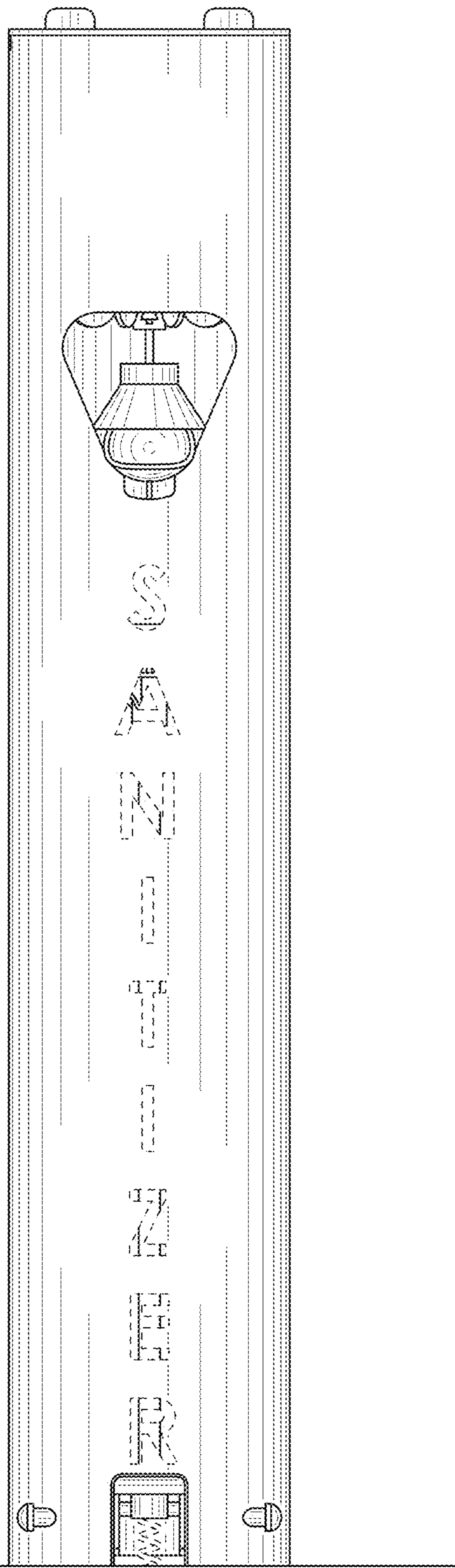


FIG. 2

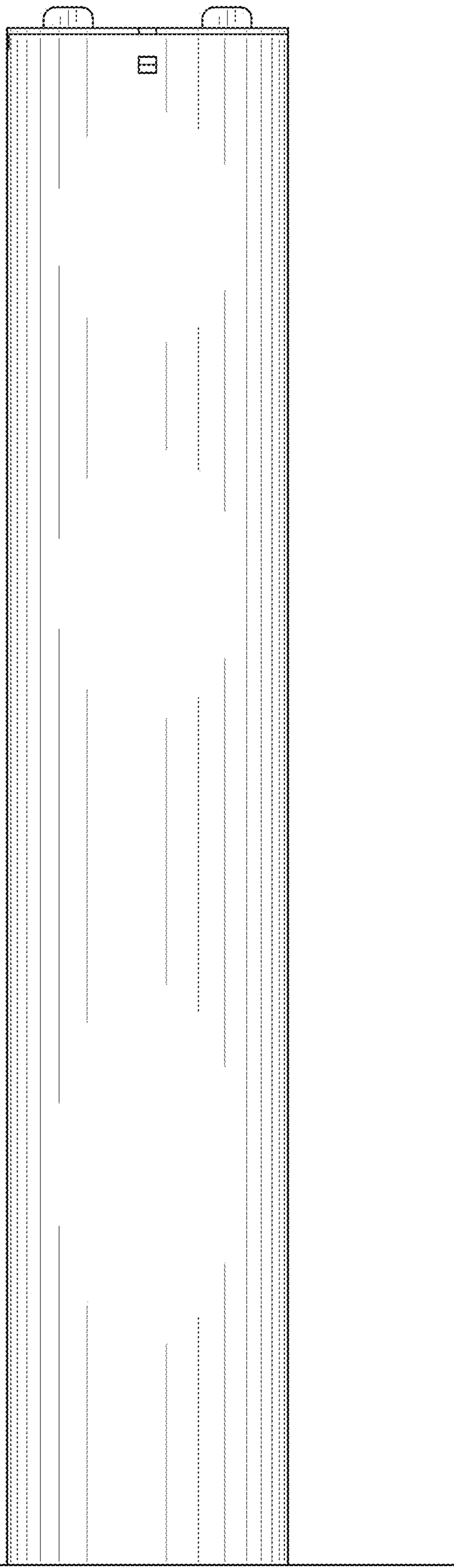


FIG. 3

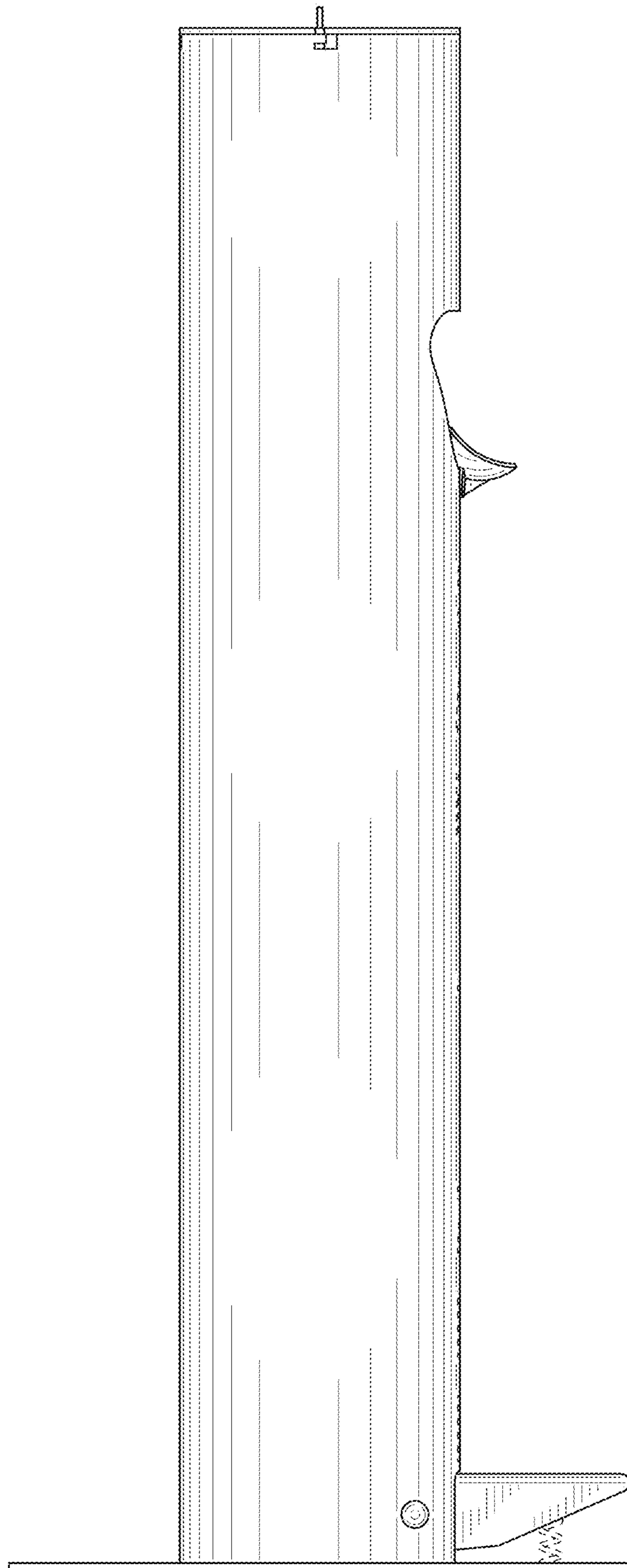


FIG. 4

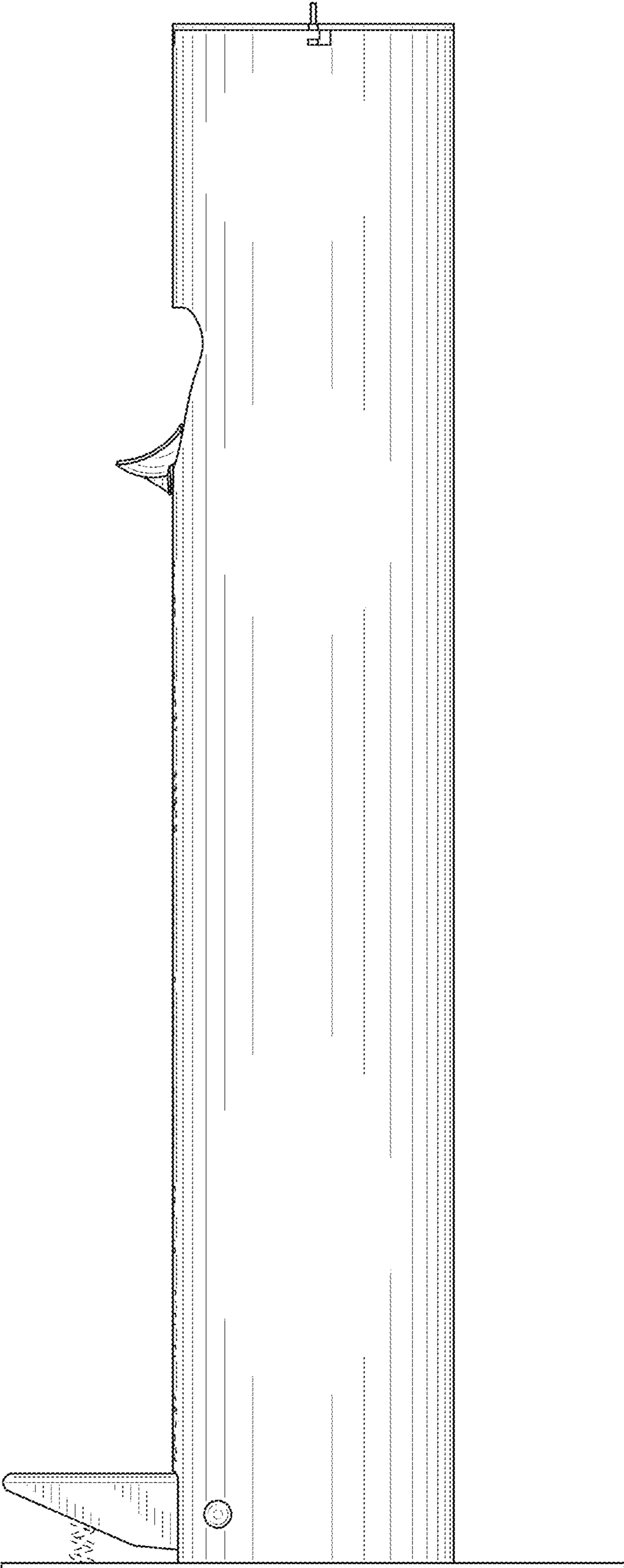


FIG. 5

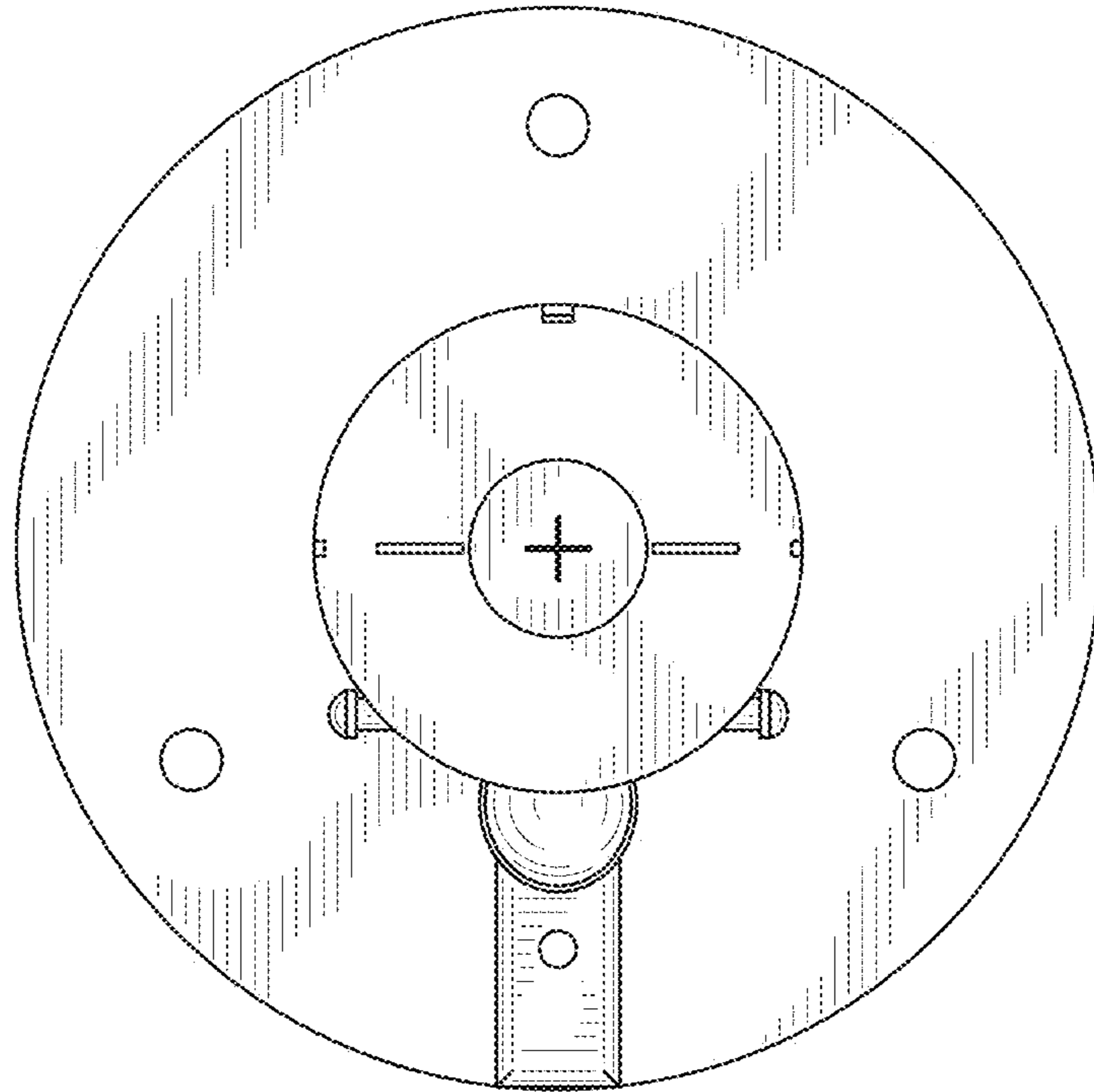


FIG. 6

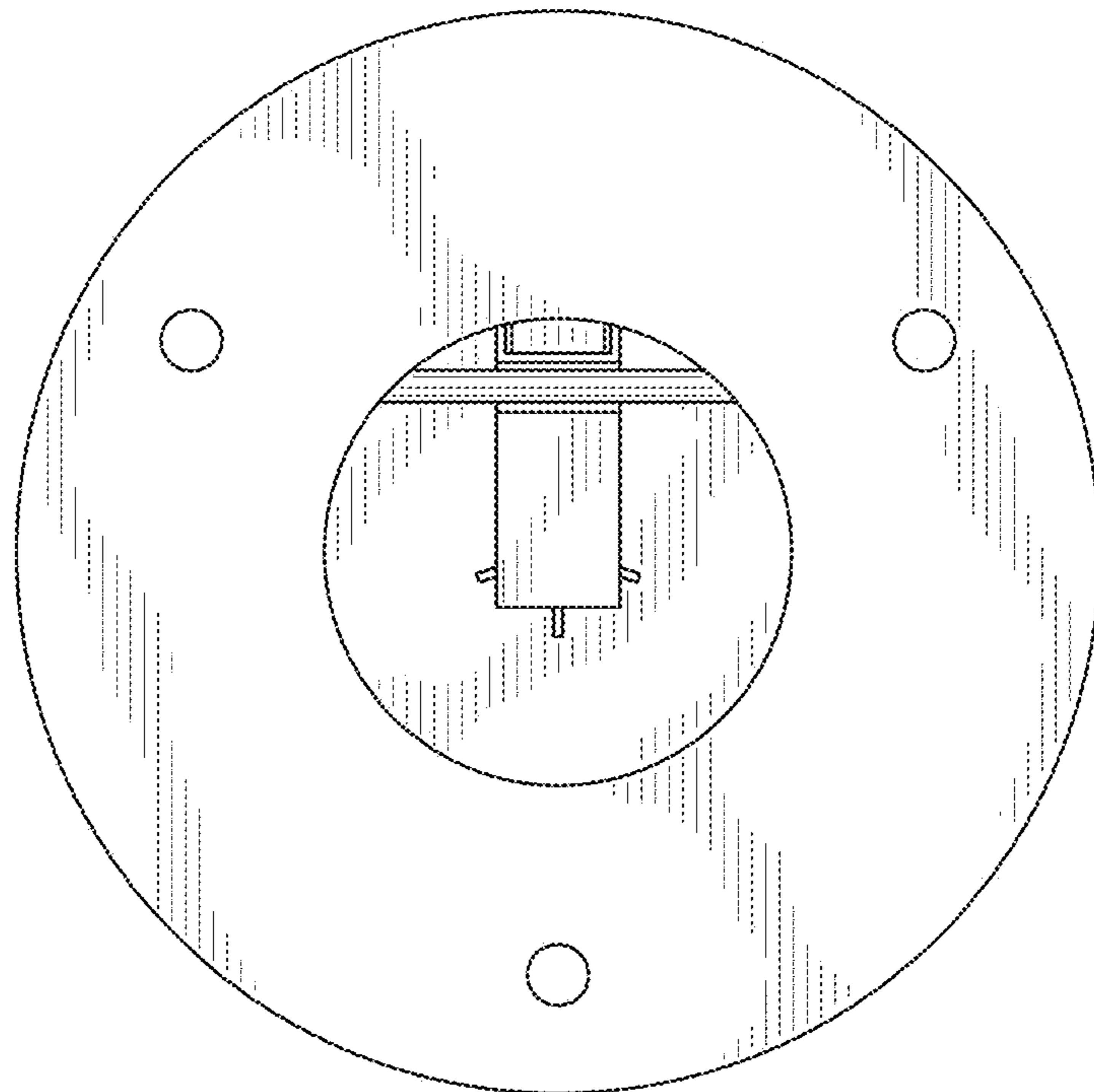


FIG. 7

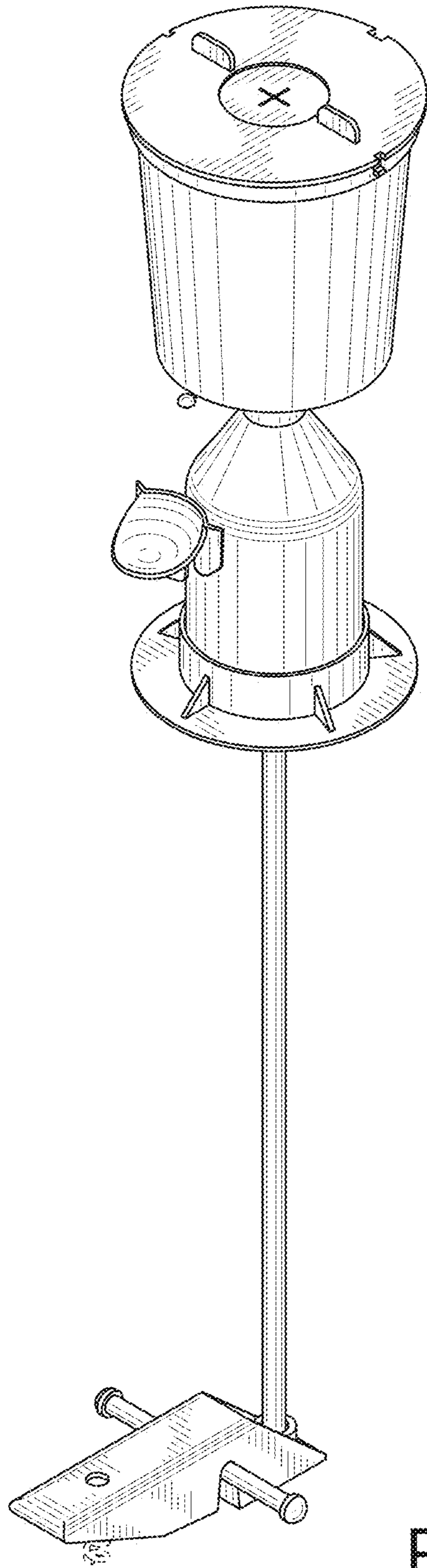


FIG. 8

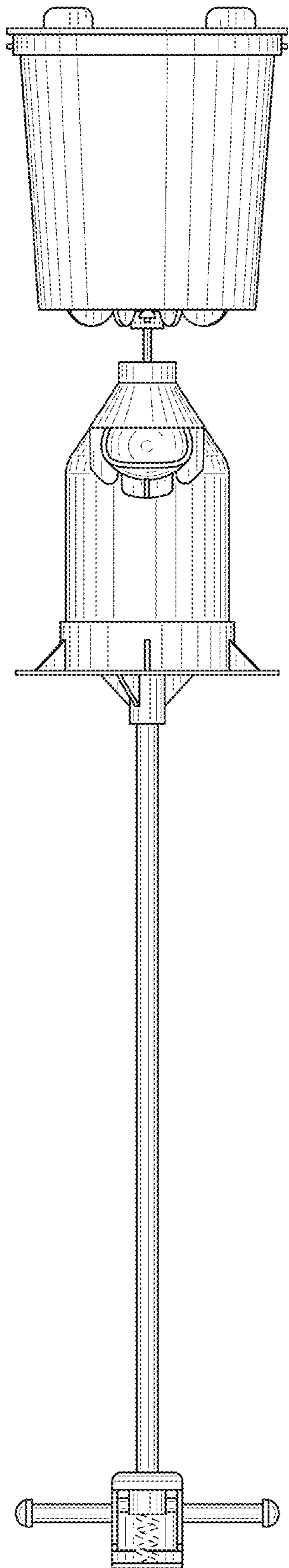


FIG. 9

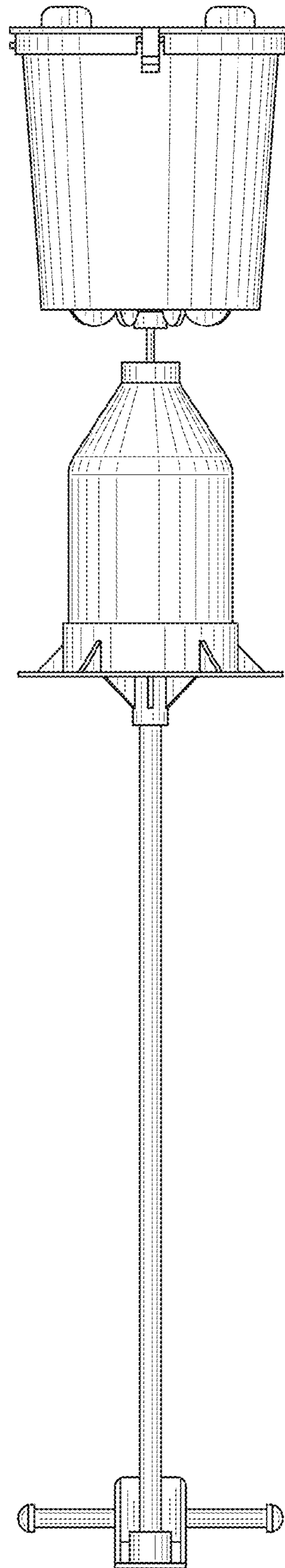


FIG. 10

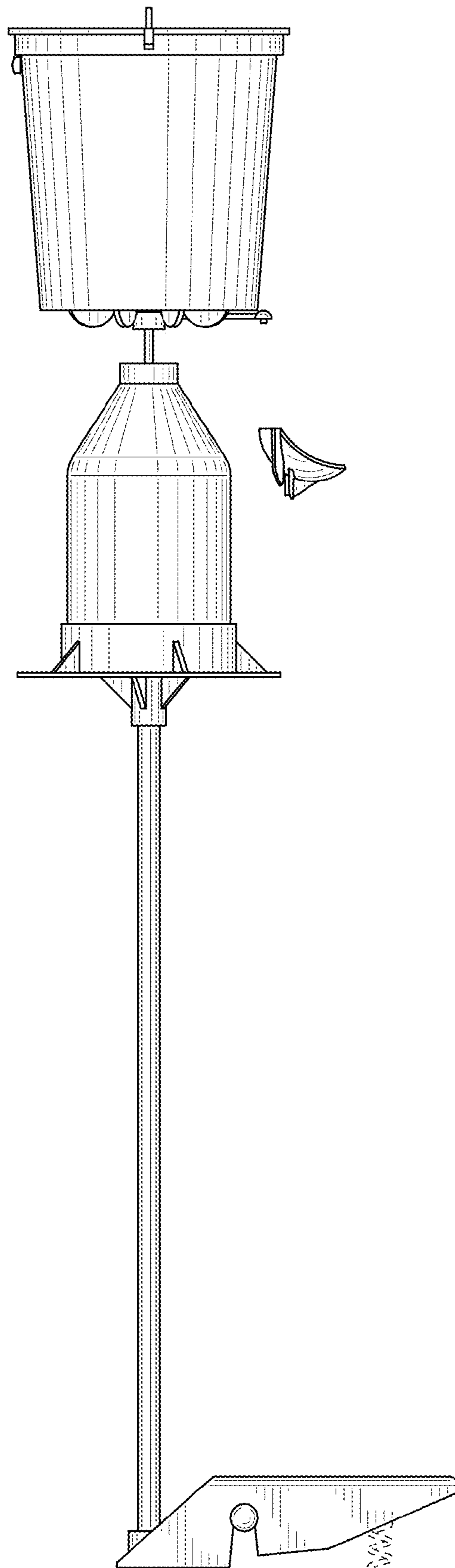


FIG. 11

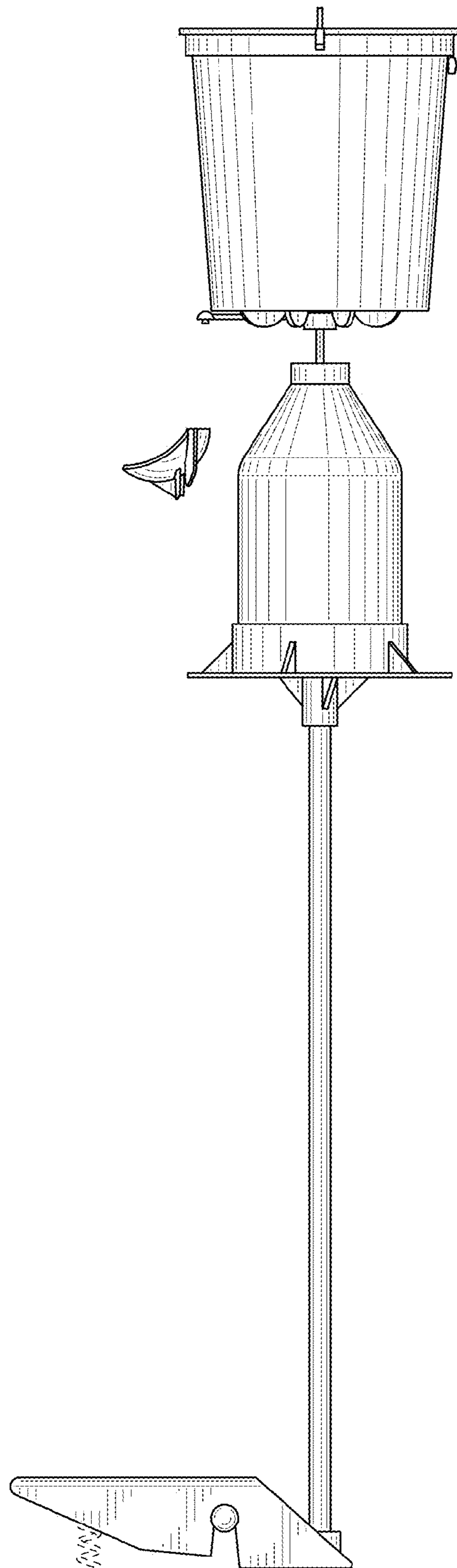


FIG. 12

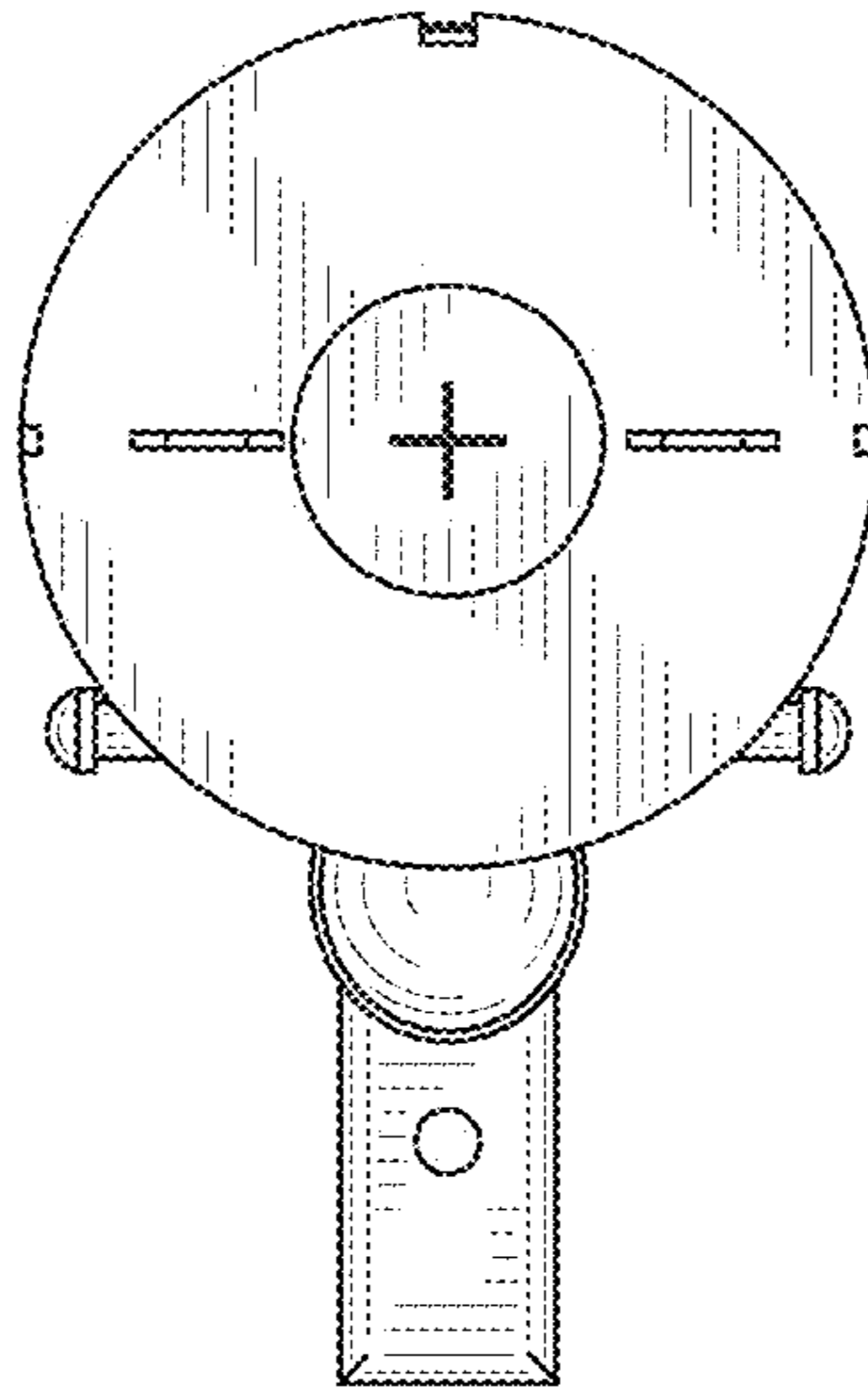


FIG. 13

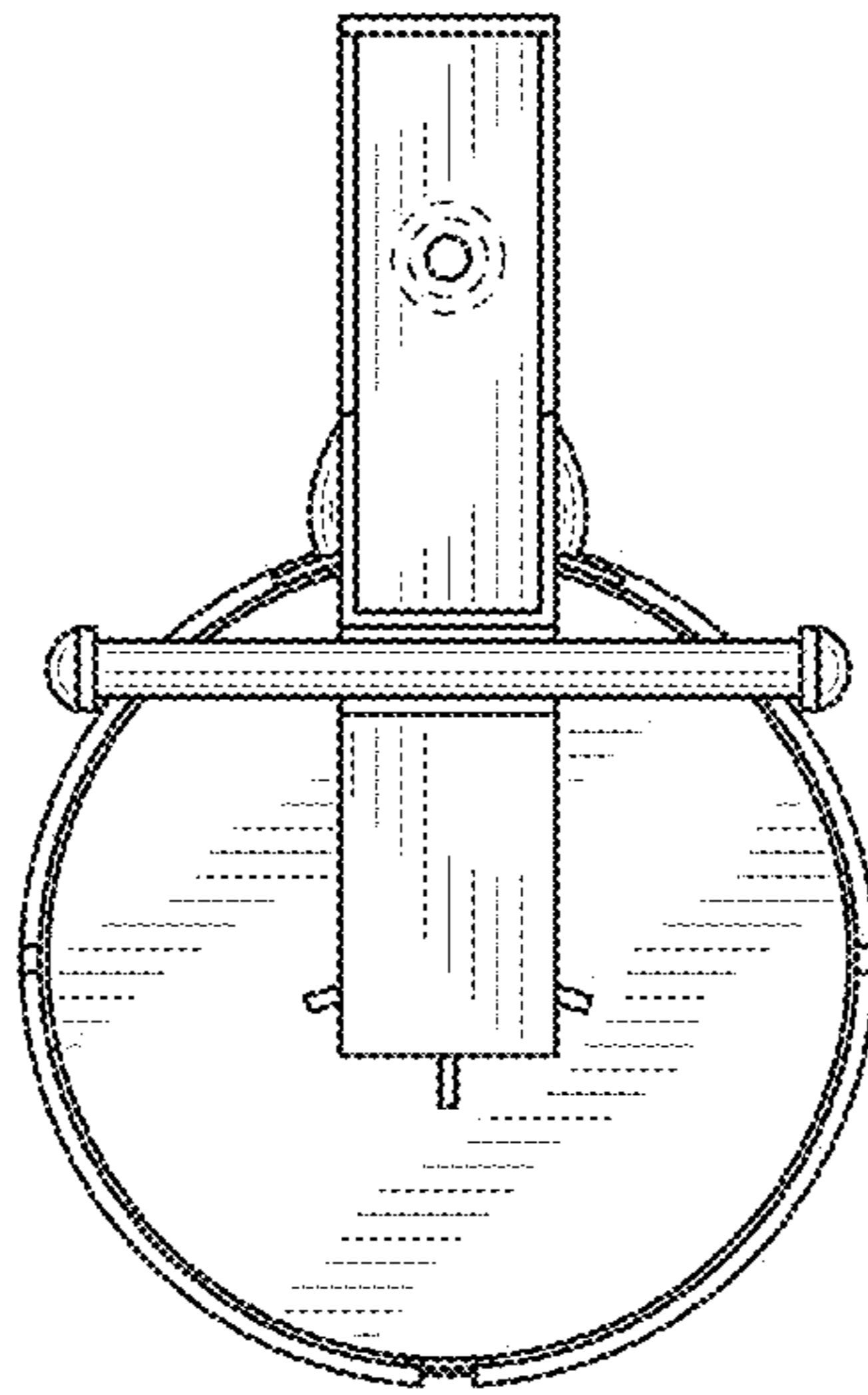


FIG. 14

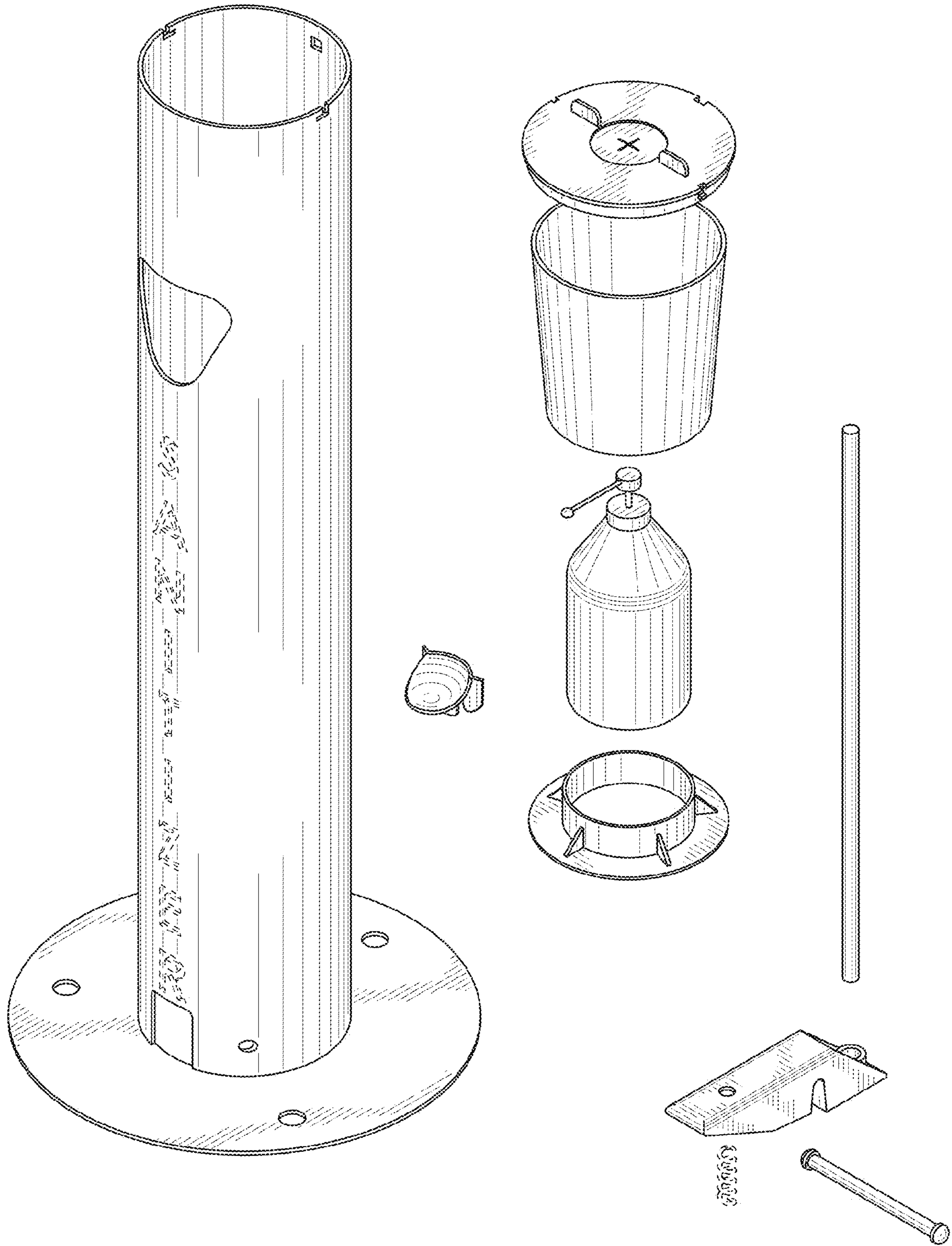


FIG. 15

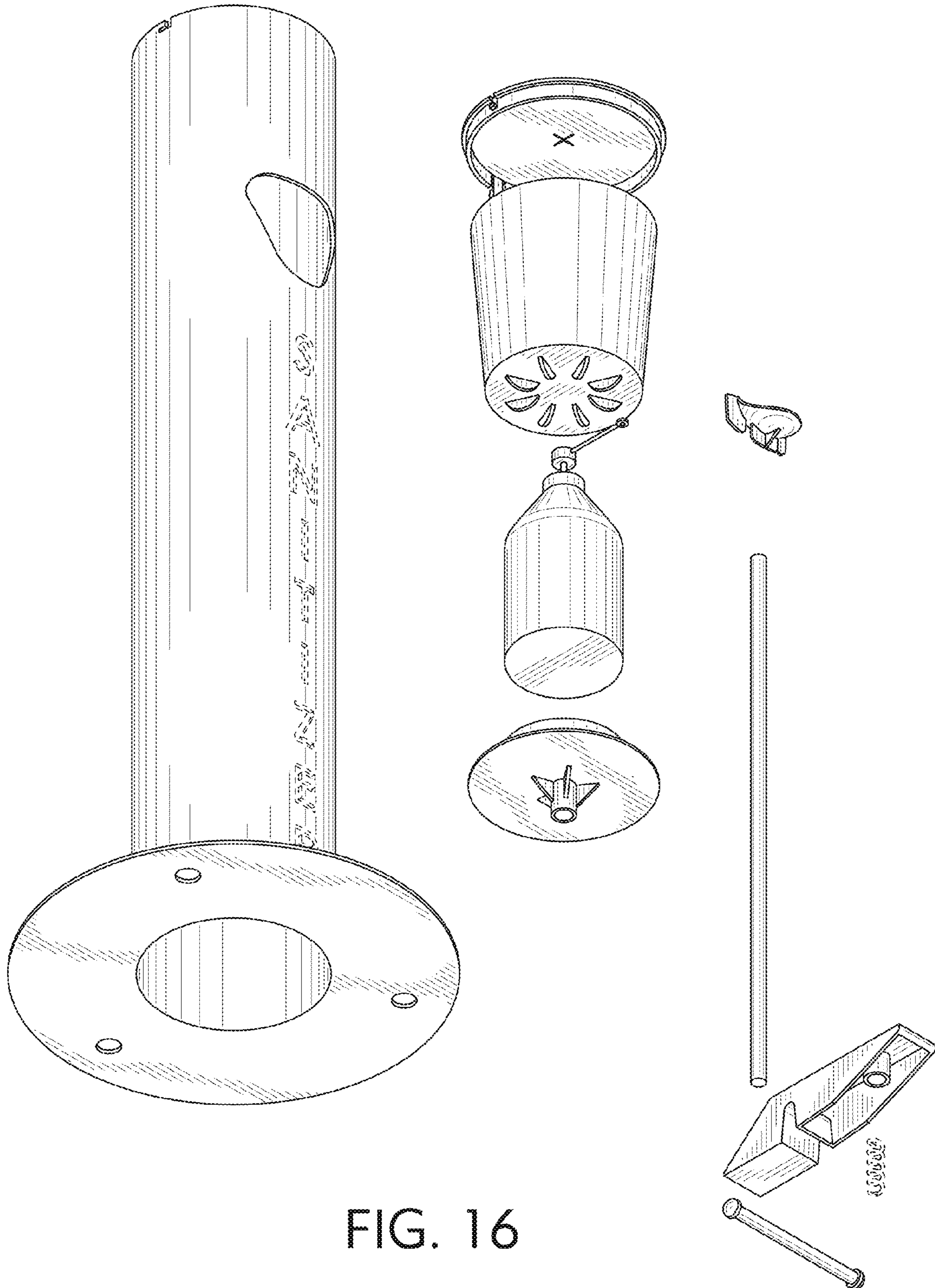


FIG. 16