



US00D947988S

(12) **United States Design Patent** (10) **Patent No.:** **US D947,988 S**
Seo (45) **Date of Patent:** **** Apr. 5, 2022**

(54) **WATER PURIFIER**
(71) Applicant: **Woongjin Coway Co., Ltd.**,
Choongcheongnam-do (KR)
(72) Inventor: **Jin Gyu Seo**, Seoul (KR)
(73) Assignee: **WOONGJIN COWAY CO., LTD.**,
Choongcheongnam-do (KR)

D643,666 S * 8/2011 Yui D7/307
D643,667 S * 8/2011 Yui D7/307
D643,668 S * 8/2011 Yui D7/307
D700,794 S * 3/2014 Yui D7/305
D700,795 S * 3/2014 Yui D7/305
D714,580 S * 10/2014 Moon D7/307
D795,629 S * 8/2017 Ullman D7/306
D805,601 S * 12/2017 Roh D23/207
D813,346 S * 3/2018 Lee D23/207
D832,021 S * 10/2018 Yoon D7/313
D868,522 S * 12/2019 Jeon D7/313

(**) Term: **15 Years**

(Continued)

(21) Appl. No.: **29/716,647**

FOREIGN PATENT DOCUMENTS

(22) Filed: **Dec. 11, 2019**

KR 300778138.0000 * 12/2014
KR 300778805.0000 * 12/2014

(30) **Foreign Application Priority Data**

OTHER PUBLICATIONS

Jun. 11, 2019 (KR) 30-2019-0027629
(51) **LOC (13) Cl.** **23-01**
(52) **U.S. Cl.**
USPC **D23/207**
(58) **Field of Classification Search**
USPC D23/201, 207, 209, 271-279, 284-286,
D23/301, 308; D7/300, 302-322
CPC .. A01K 7/00; A01K 7/025; A47J 31/00; A47J
31/007; A47J 31/40; A47J 31/44; A47J
31/4425; A47J 31/46; B67D 1/0003;
B67D 1/0004; B67D 1/0009; B67D 1/06;
B67D 1/0857; B67D 3/00; B67D 3/0003;
B67D 3/0009; B67D 3/0029
See application file for complete search history.

Avalon Cooler Dispenser Aug. 29, 2017 found on Nov. 12, 2021 at
<https://www.amazon.com/Avalon-A7BOTTLELESS-bottleless-Water-Dispenser/dp/B071S2M1KV/> (Year: 2017).*

Primary Examiner — Karen S Acker
Assistant Examiner — Jonathan E Fiencke
(74) *Attorney, Agent, or Firm* — Millen, White, Zelano &
Branigan, P.C.; William Nixon

(56) **References Cited**

(57) **CLAIM**

The ornamental design for a water purifier, as shown and described.

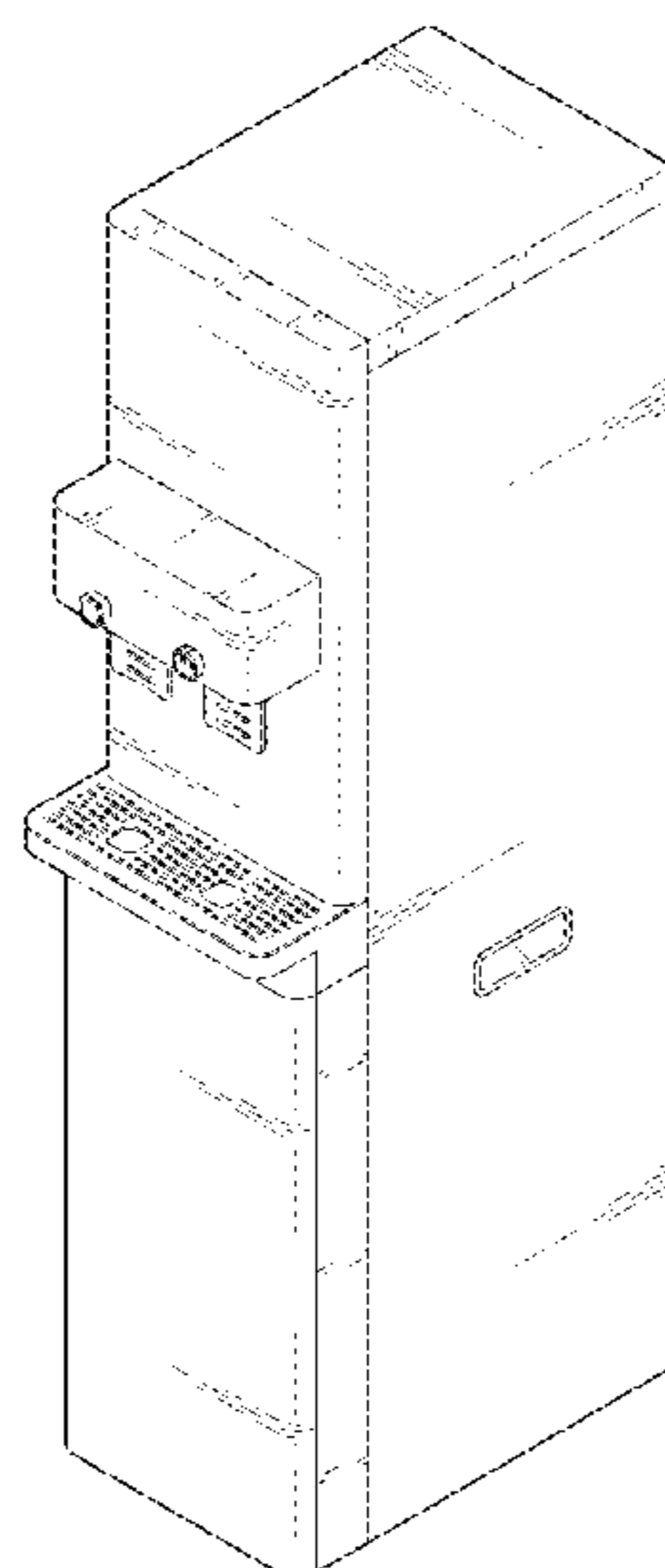
U.S. PATENT DOCUMENTS

DESCRIPTION

D340,967 S * 11/1993 Muir D23/207
5,855,779 A * 1/1999 Lee B67D 3/0009
210/232
D486,880 S * 2/2004 Gracias D23/207
D571,141 S * 6/2008 Roosmalen D7/307
D638,513 S * 5/2011 Choi D23/207
D643,240 S * 8/2011 Yui D7/307

FIG. 1 is a front perspective view of the water purifier showing my new design.
FIG. 2 is a front elevational view thereof;
FIG. 3 is a rear elevational view thereof;
FIG. 4 is a left side elevational view thereof;
FIG. 5 is a right side elevational view thereof;
FIG. 6 is a top plan view thereof; and,
FIG. 7 is a bottom plan view thereof.

1 Claim, 7 Drawing Sheets



(56)

References Cited

U.S. PATENT DOCUMENTS

D878,134 S * 3/2020 Rubin D7/313
D882,037 S * 4/2020 Roh D23/207
D884,407 S * 5/2020 Tan D7/313
D913,412 S * 3/2021 Lee D23/207
D933,410 S * 10/2021 Jeon D7/306

* cited by examiner

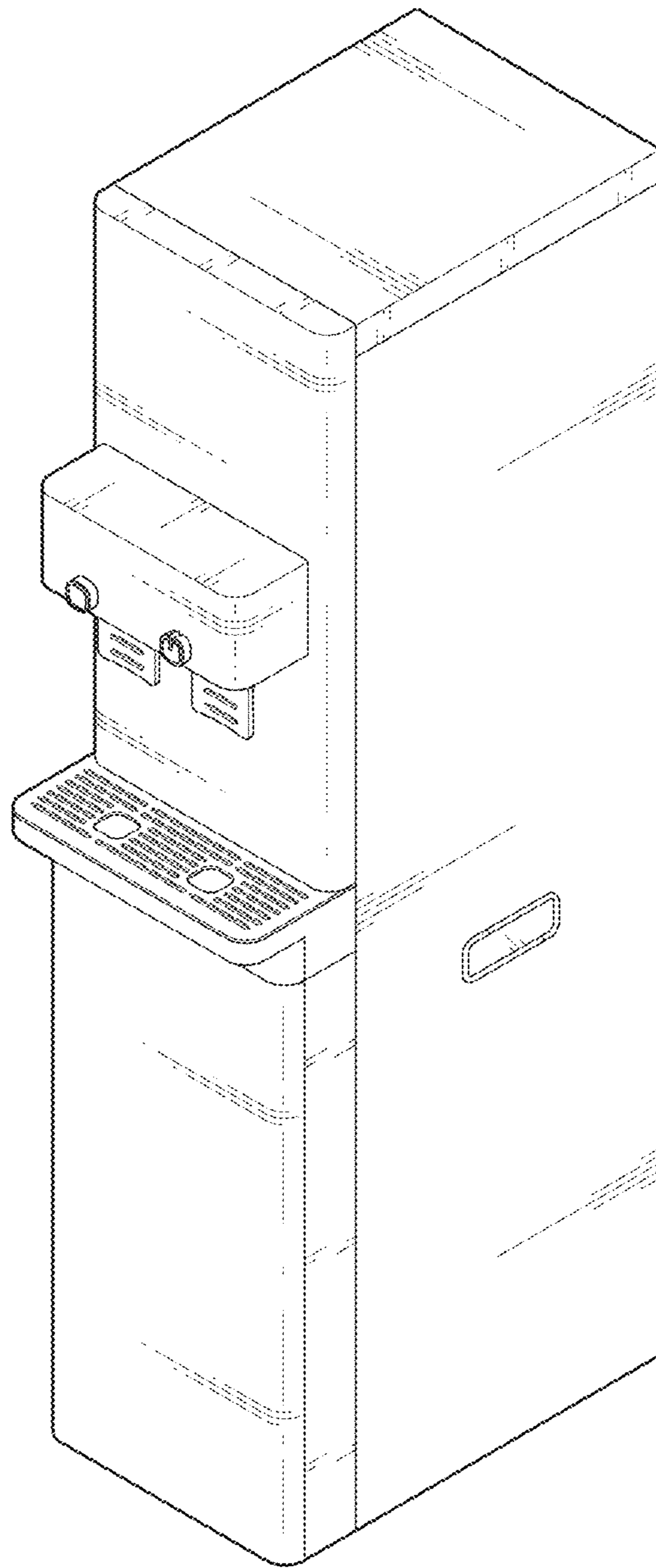


FIG. 1

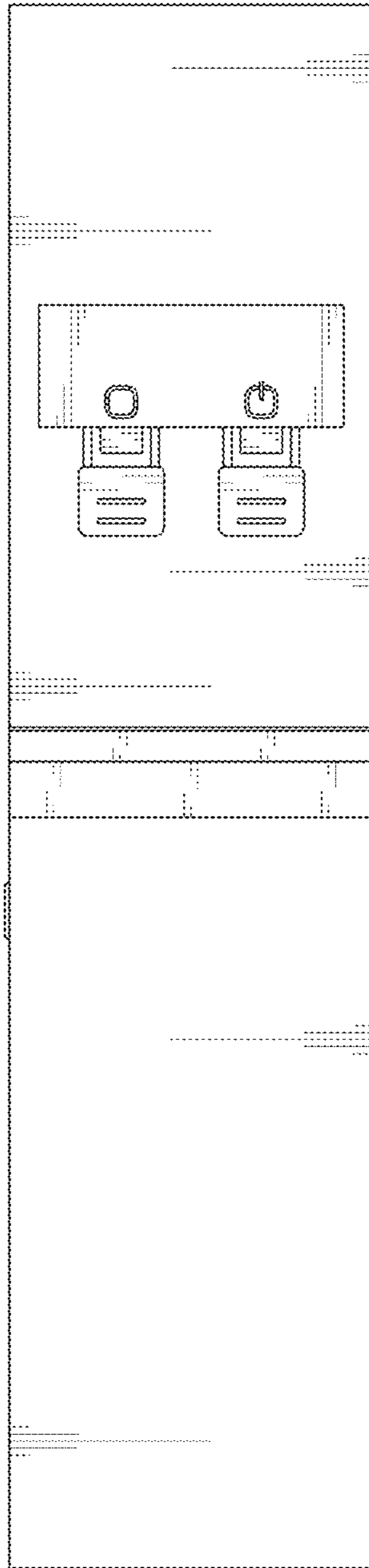


FIG. 2

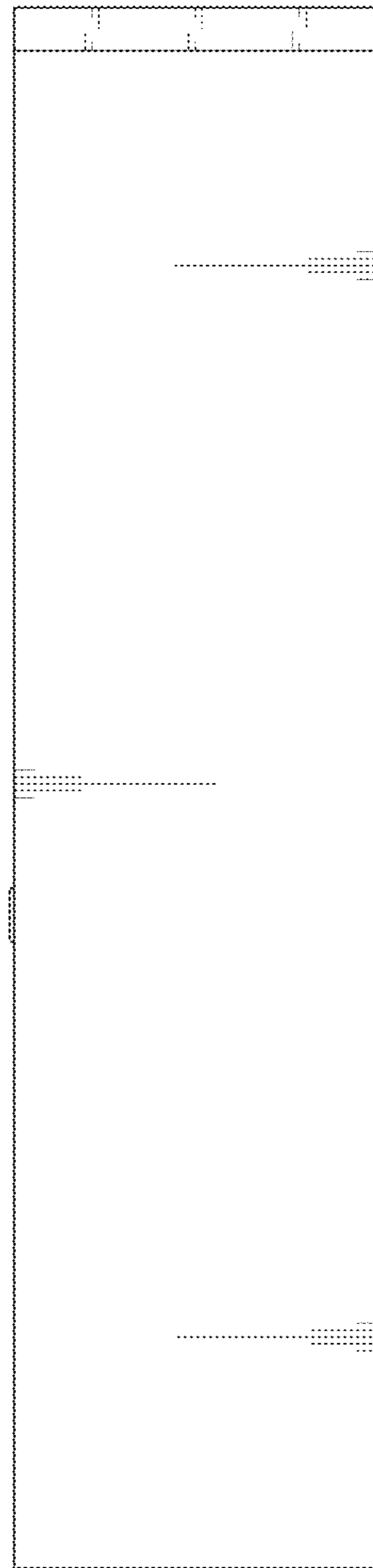


FIG. 3

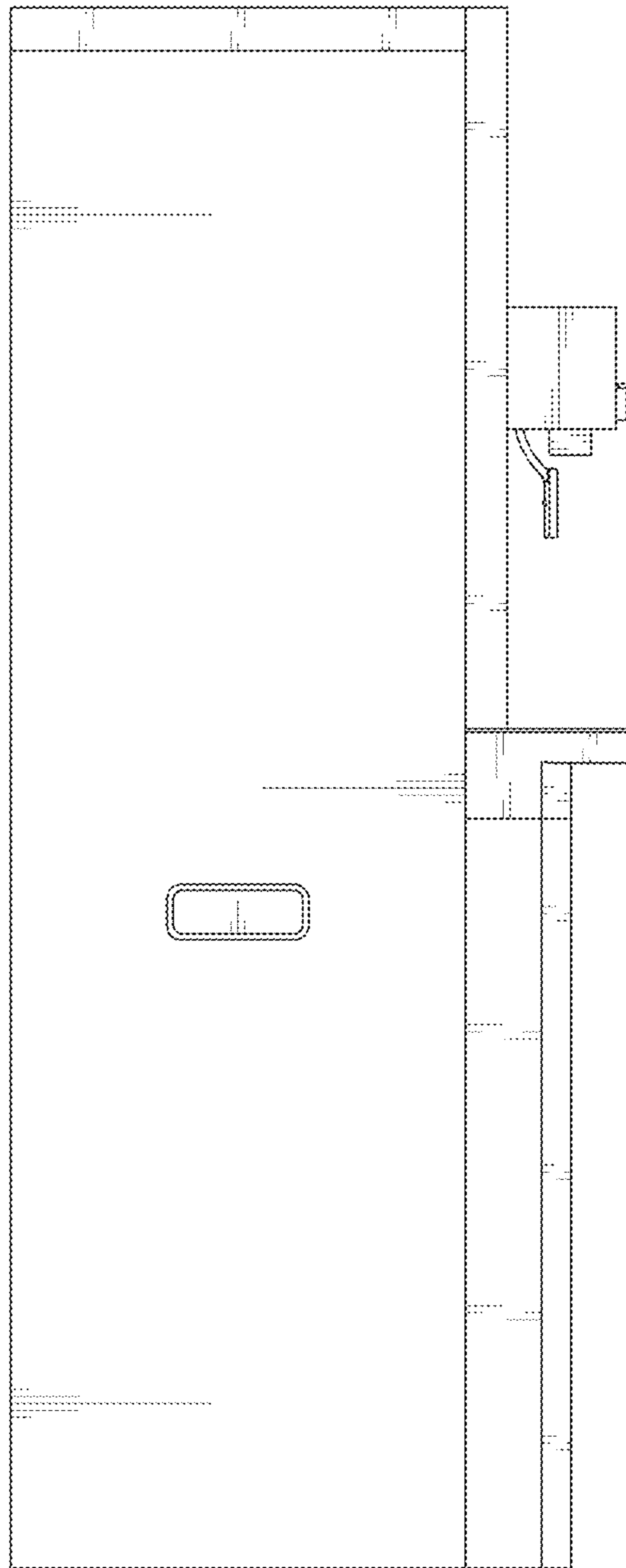


FIG. 4

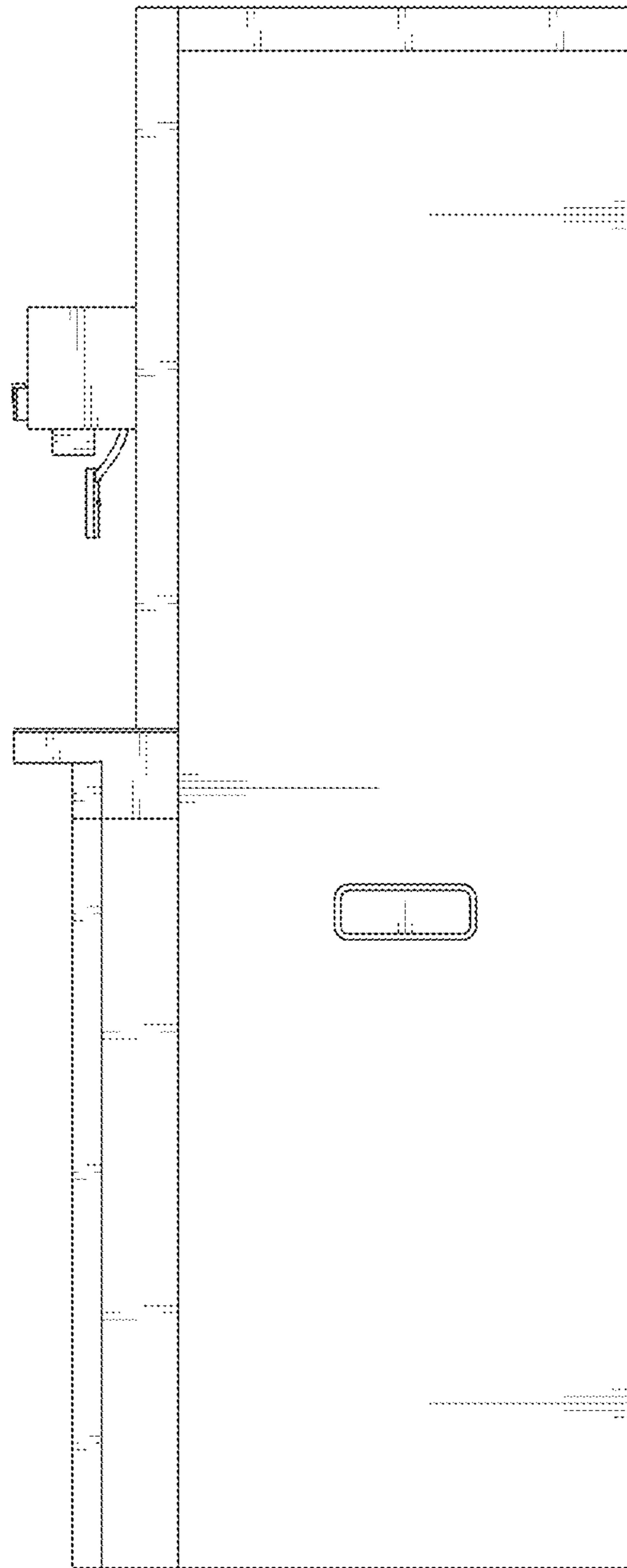


FIG. 5

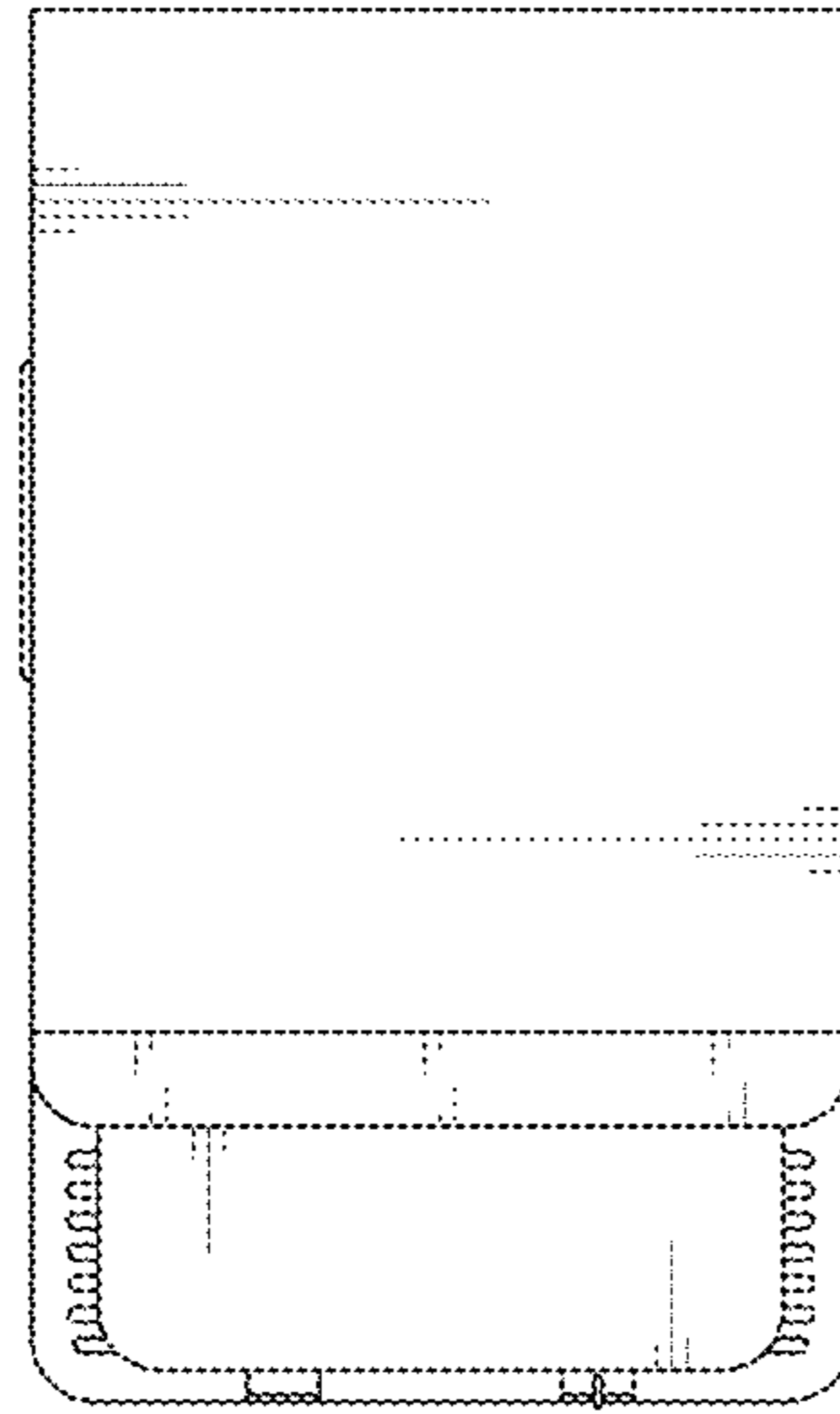


FIG. 6

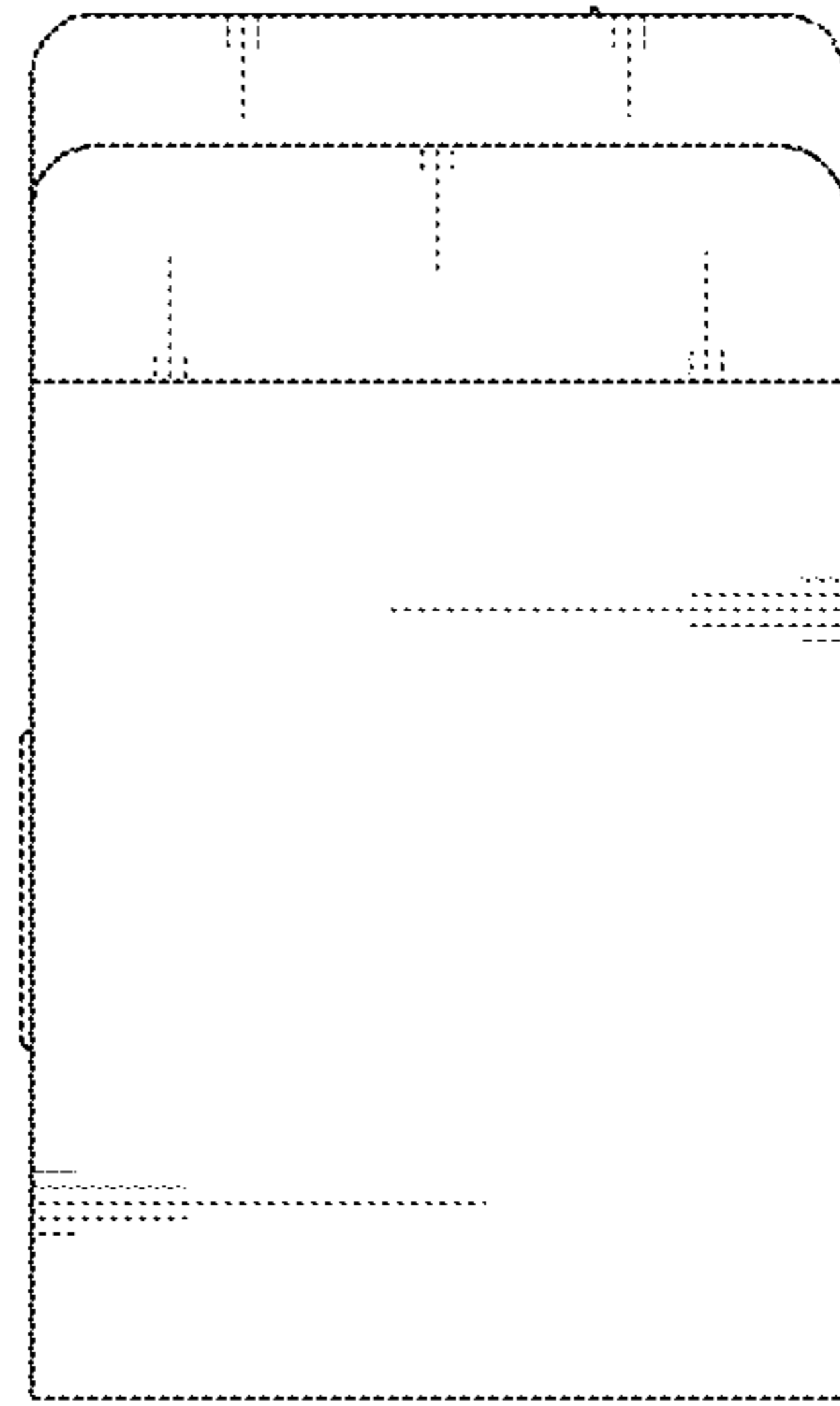


FIG. 7