



US00D947987S

(12) **United States Design Patent** (10) **Patent No.:** **US D947,987 S**
Du (45) **Date of Patent:** **** Apr. 5, 2022**

(54) **WATER PURIFIER**
(71) Applicant: **Tianjin Bright Sight Commerce Co., Ltd.**, Tianjin (CN)
(72) Inventor: **Zhigang Du**, Tianjin (CN)
(**) Term: **15 Years**

D610,650 S * 2/2010 Kulikov D23/209
D692,525 S * 10/2013 Tseng D23/207
D718,417 S * 11/2014 Harris D23/209
D759,788 S * 6/2016 Wei D23/207
D783,774 S * 4/2017 Costantini D23/209
D793,524 S * 8/2017 Kruse D23/209
2009/0236271 A1* 9/2009 Eserkahn C02F 9/005
210/137

(21) Appl. No.: **29/716,012**
(22) Filed: **Dec. 5, 2019**

FOREIGN PATENT DOCUMENTS

CN 201830183535.6 * 1/2019

* cited by examiner

(30) **Foreign Application Priority Data**
Oct. 30, 2019 (CN) 201930593009.1

Primary Examiner — Karen S Acker
Assistant Examiner — Jonathan E Fiencke
(74) *Attorney, Agent, or Firm* — Yanling Jiang

(51) **LOC (13) Cl.** **23-01**
(52) **U.S. Cl.**
USPC **D23/207**
(58) **Field of Classification Search**
USPC D23/207, 209, 213, 365
CPC B01D 35/30; B01D 35/153; C02F 1/002;
C02F 1/003
See application file for complete search history.

(57) **CLAIM**

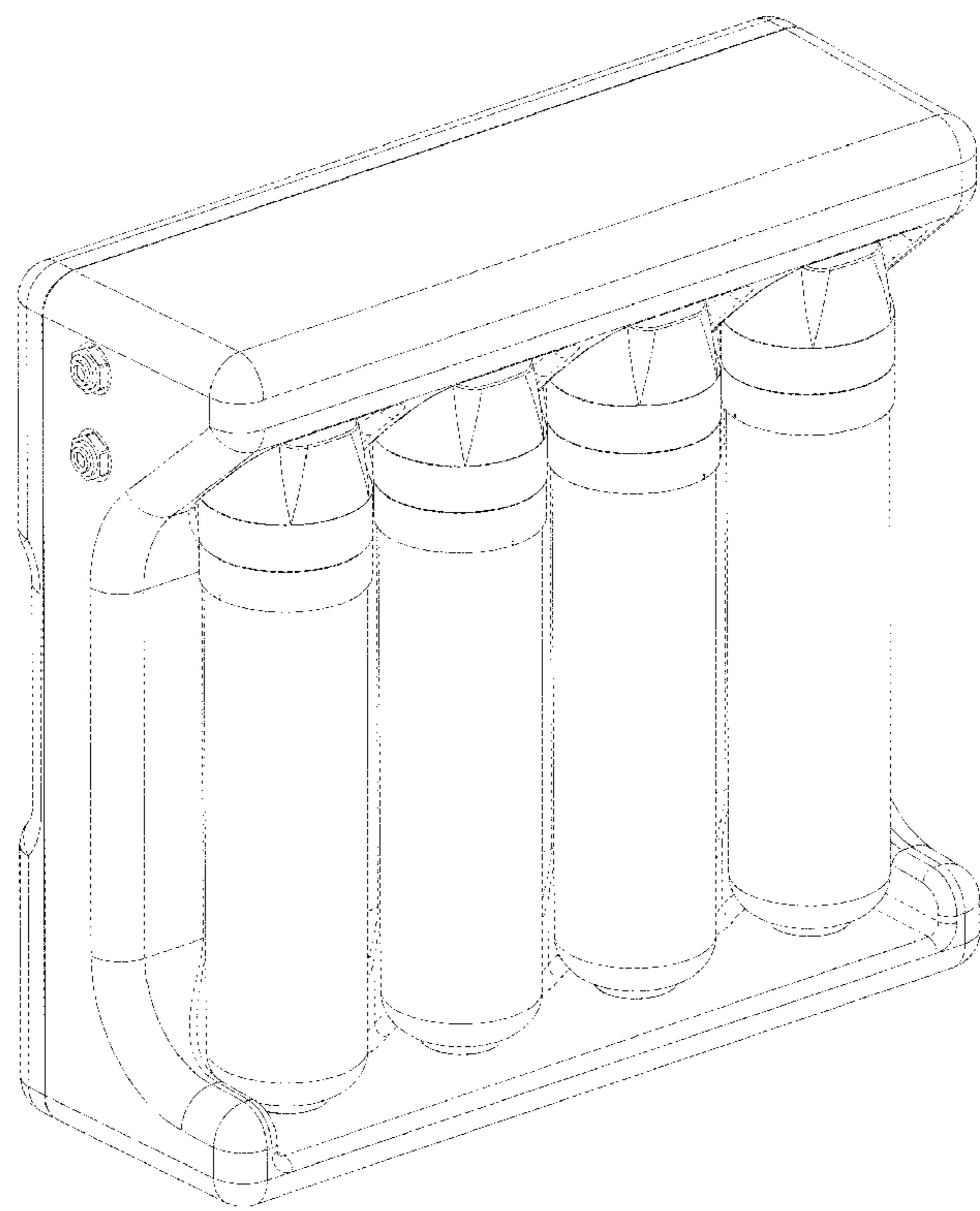
The ornamental design for a water purifier, as shown and described.

DESCRIPTION

FIG. 1 is a top right perspective view showing water purifier, showing my new design;
FIG. 2 is a front elevation view thereof;
FIG. 3 is a rear elevation view thereof;
FIG. 4 is a top plan view thereof;
FIG. 5 is a bottom plan view thereof;
FIG. 6 is a side view thereof; and,
FIG. 7 is an opposite side view thereof.
The broken lines and the areas within them depict portions of the water purifier that form no part of the claimed design.

(56) **References Cited**
U.S. PATENT DOCUMENTS
D306,754 S * 3/1990 Petrucci D23/209
D398,368 S * 9/1998 Schroer D23/209
D407,462 S * 3/1999 Bishop D23/207
6,051,144 A * 4/2000 Clack B01D 35/301
210/739
D439,304 S * 3/2001 Tilp D23/209
D454,615 S * 3/2002 Neal D23/209

1 Claim, 7 Drawing Sheets



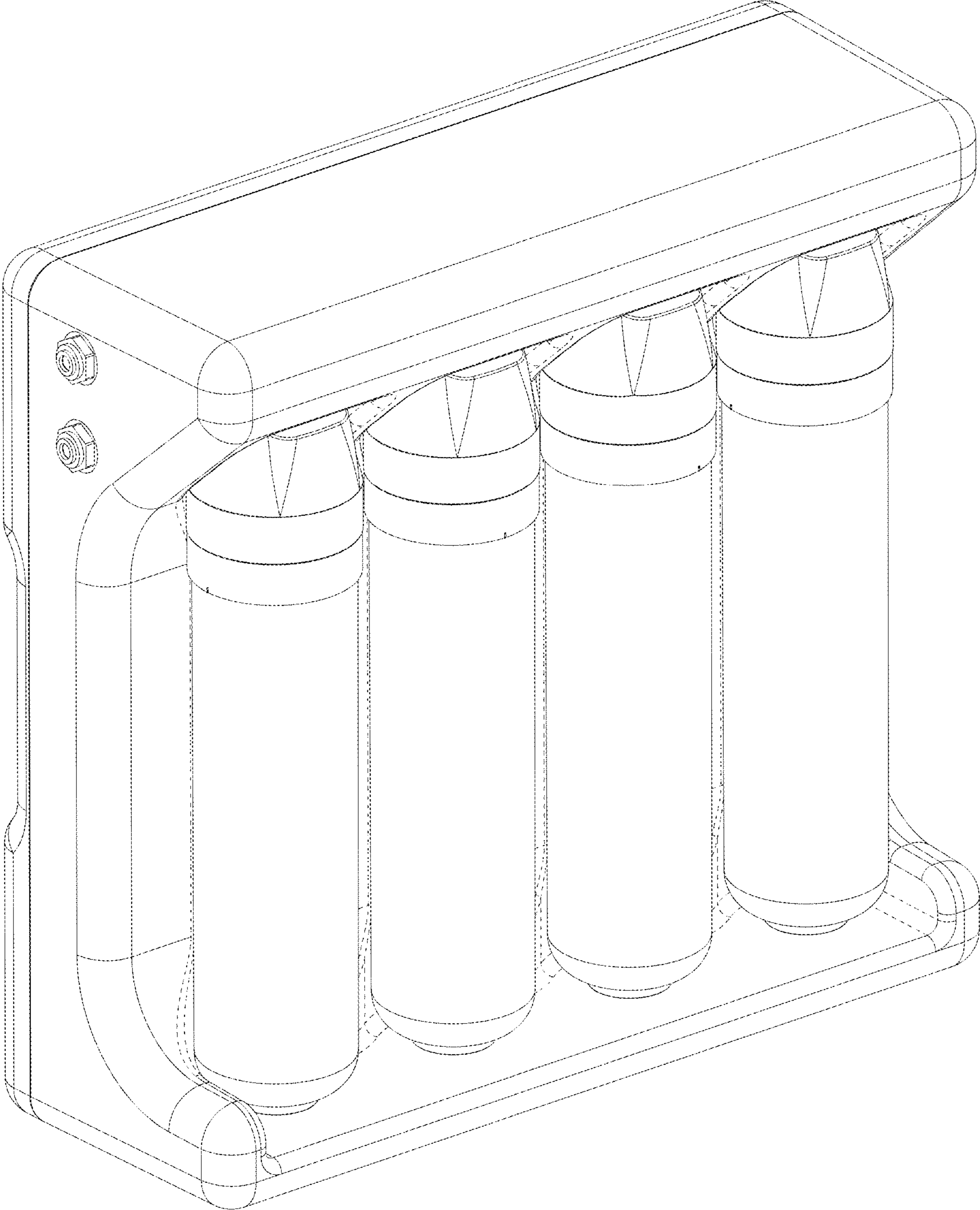


FIG.1

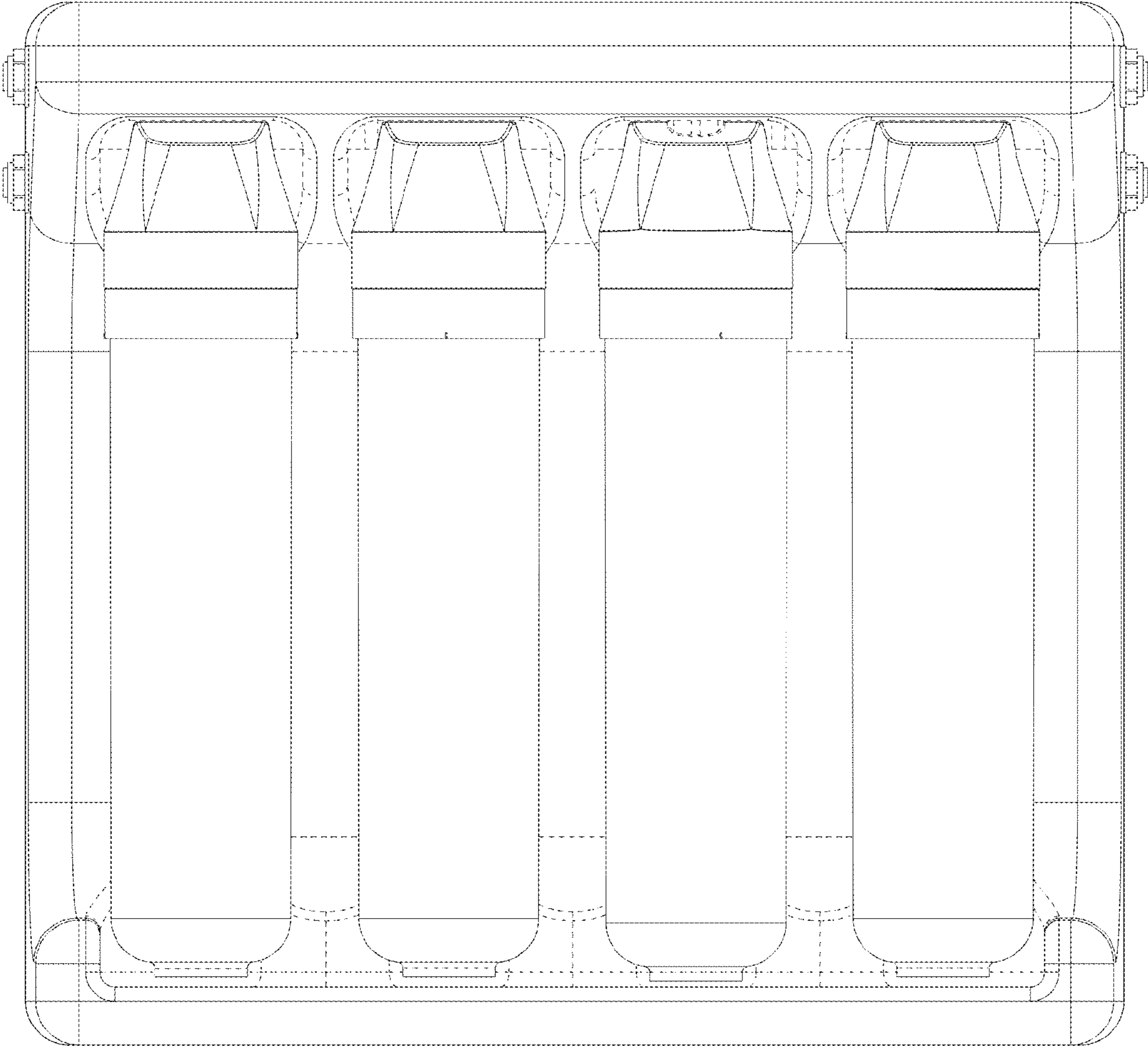


FIG.2

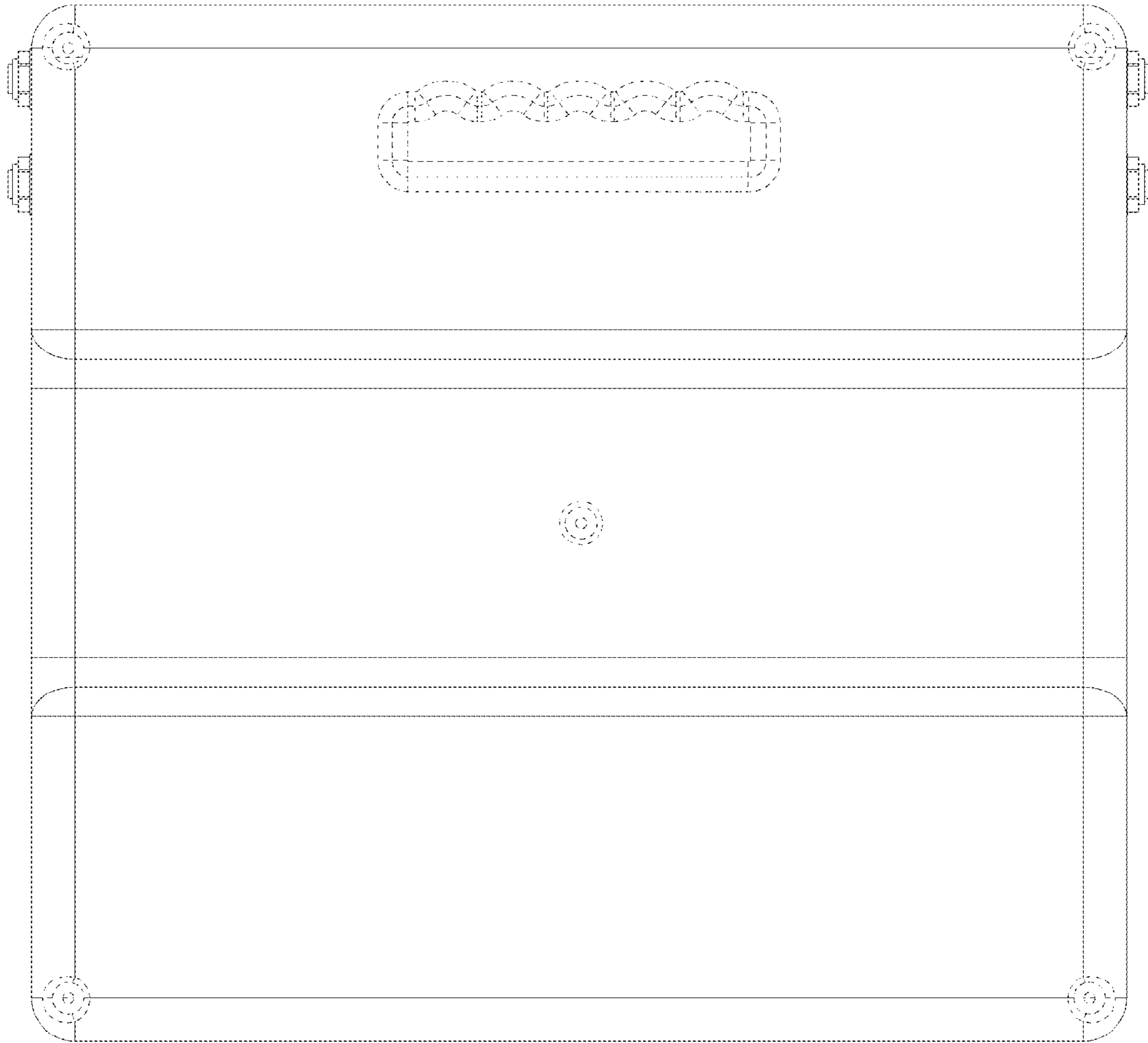


FIG.3

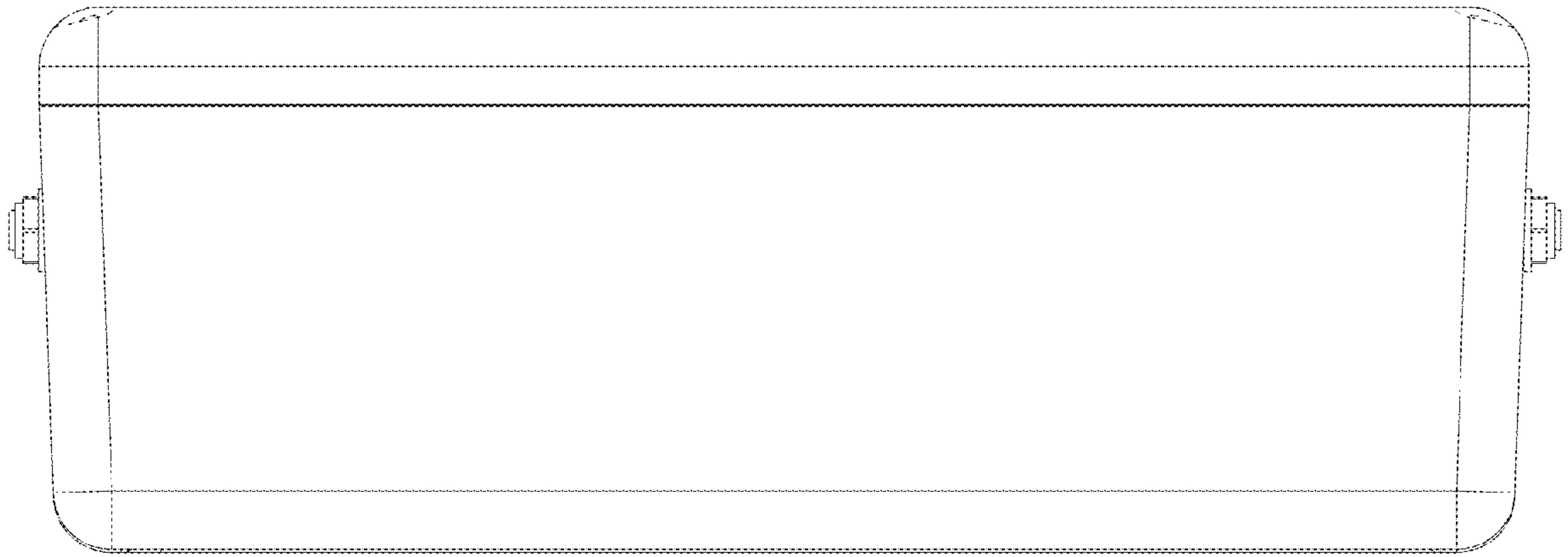


FIG.4

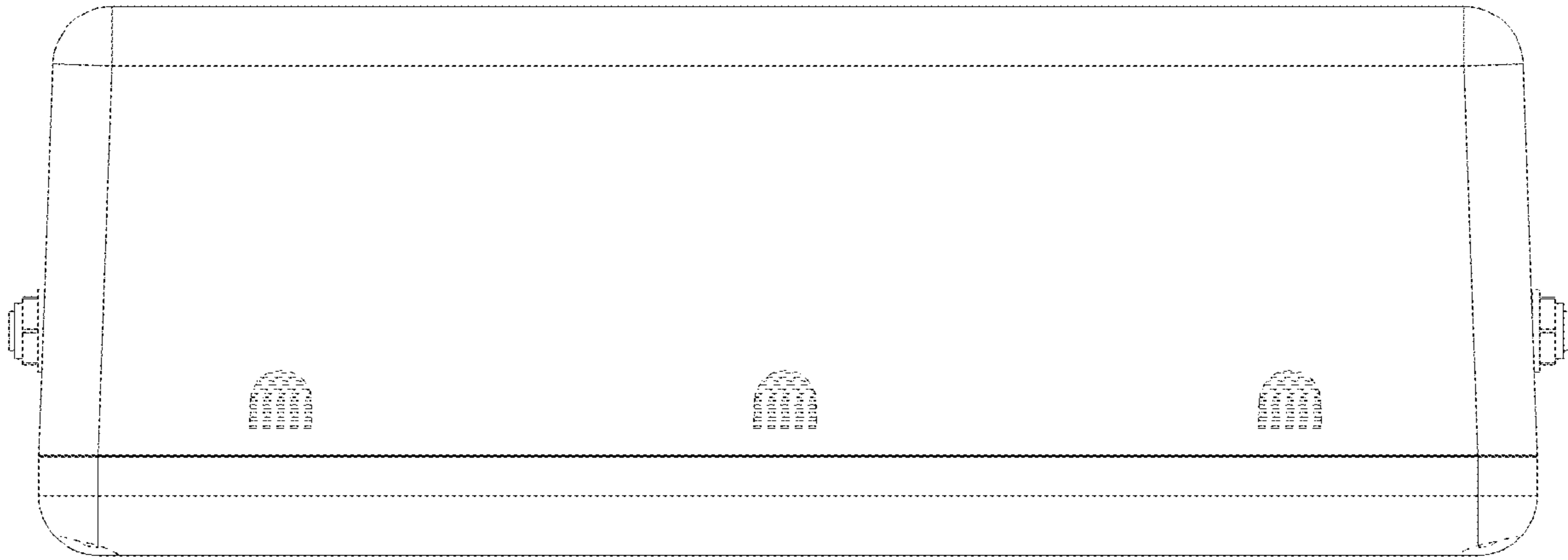


FIG.5

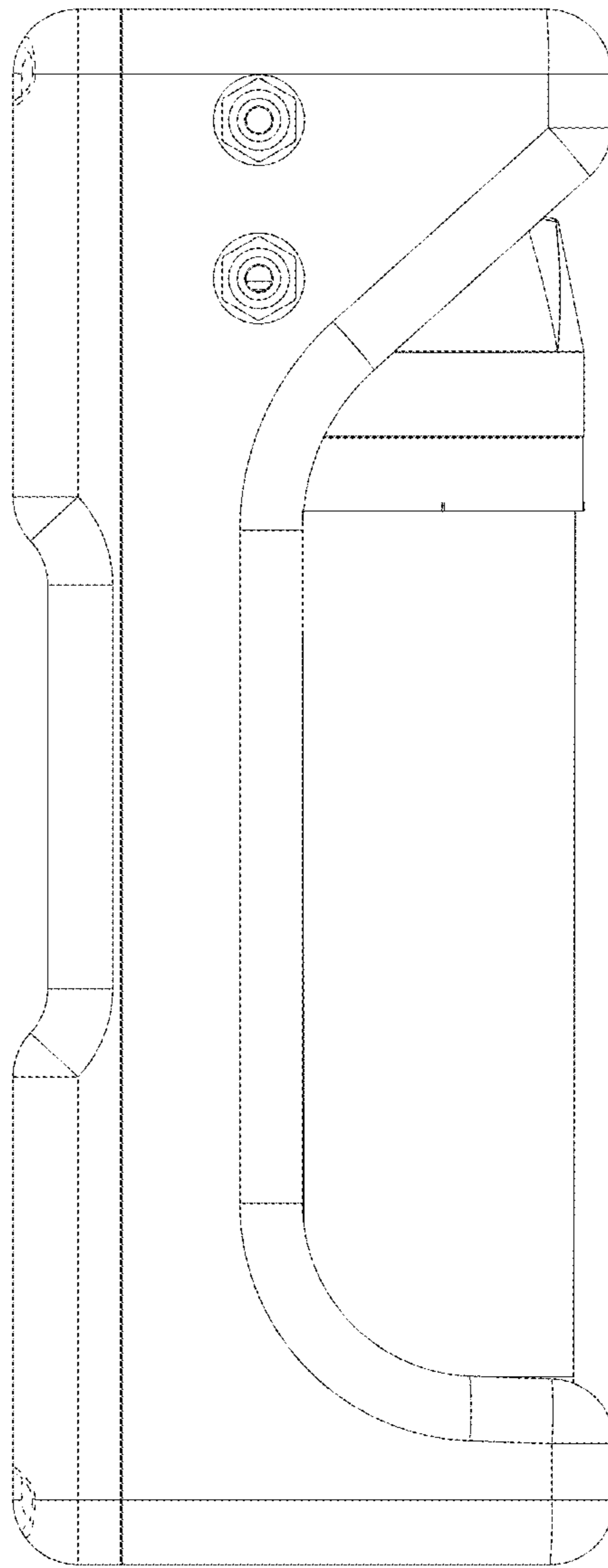


FIG.6

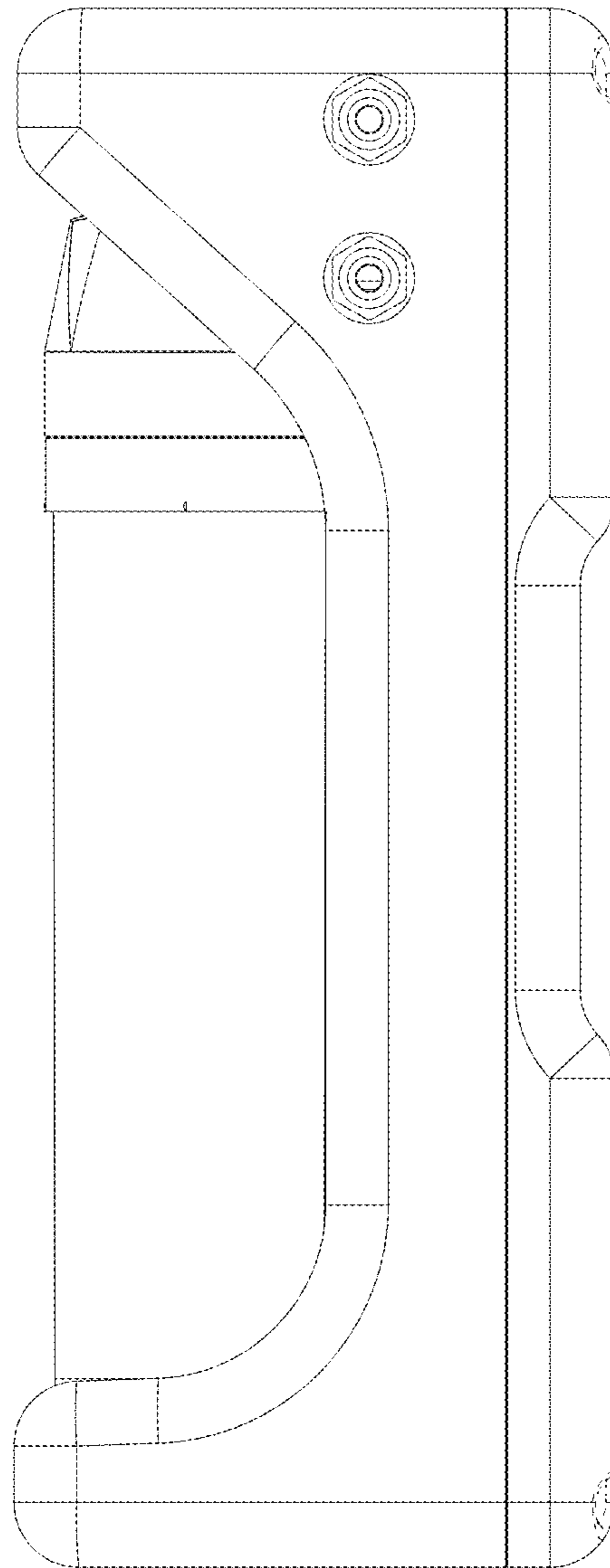


FIG. 7