



US00D947986S

(12) **United States Design Patent** (10) **Patent No.:** **US D947,986 S**
Wang (45) **Date of Patent:** **** Apr. 5, 2022**

(54) **FOG MACHINE**

(71) Applicant: **Mambate USA INC**, Brooklyn, NY (US)

(72) Inventor: **Charlie Wang**, Brooklyn, NY (US)

(73) Assignee: **Mambate USA INC**, Brooklyn, NY (US)

(**) Term: **15 Years**

(21) Appl. No.: **29/778,520**

(22) Filed: **Apr. 13, 2021**

(51) **LOC (13) Cl.** **23-01**

(52) **U.S. Cl.**
USPC **D23/200**

(58) **Field of Classification Search**
USPC D15/122, 135, 199; D23/200, 213, D23/355-365

CPC ... A61L 9/02; A61L 9/03; A61L 9/012; A61L 9/015; A61L 9/037; F24F 11/62; F24F 7/08

See application file for complete search history.

(56) **References Cited**

U.S. PATENT DOCUMENTS

D680,563 S *	4/2013	Yang	A63J 5/025
				D15/122
D699,318 S *	2/2014	Hung	A63J 5/025
				D23/200
D708,727 S *	7/2014	Postma	D23/360
D840,011 S *	2/2019	Seymour	D23/359
D884,861 S *	5/2020	Seymour	D23/359
D886,270 S *	6/2020	Walton	D23/359
D889,618 S *	7/2020	Ueda	D23/355
D907,184 S *	1/2021	Chen	D23/356
D907,740 S *	1/2021	Xu	
D908,750 S *	1/2021	Oliver Gonzalez	D15/122

10,981,079 B1 *	4/2021	Goepfert	A63J 5/025
D936,195 S *	11/2021	Muderlak	A61L 2/202
				D23/355
2019/0321744 A1 *	10/2019	Xu	A63J 5/025
2020/0317518 A1 *	10/2020	Schmidt	A61L 2/202

FOREIGN PATENT DOCUMENTS

EM	008741813-0001	*	10/2021
EM	008741813-0002	*	10/2021
EM	008741813-0003	*	10/2021

OTHER PUBLICATIONS

AGPTEK Fog Machine Jun. 12, 2019 found on Nov. 30, 2021 at: <https://www.amazon.com/AGPTEK-Colorful-Receiver-Wireless-Halloween/dp/B07T28NQKX/> (Year: 2019).*

* cited by examiner

Primary Examiner — Karen S Acker
Assistant Examiner — Jonathan E Fiencke

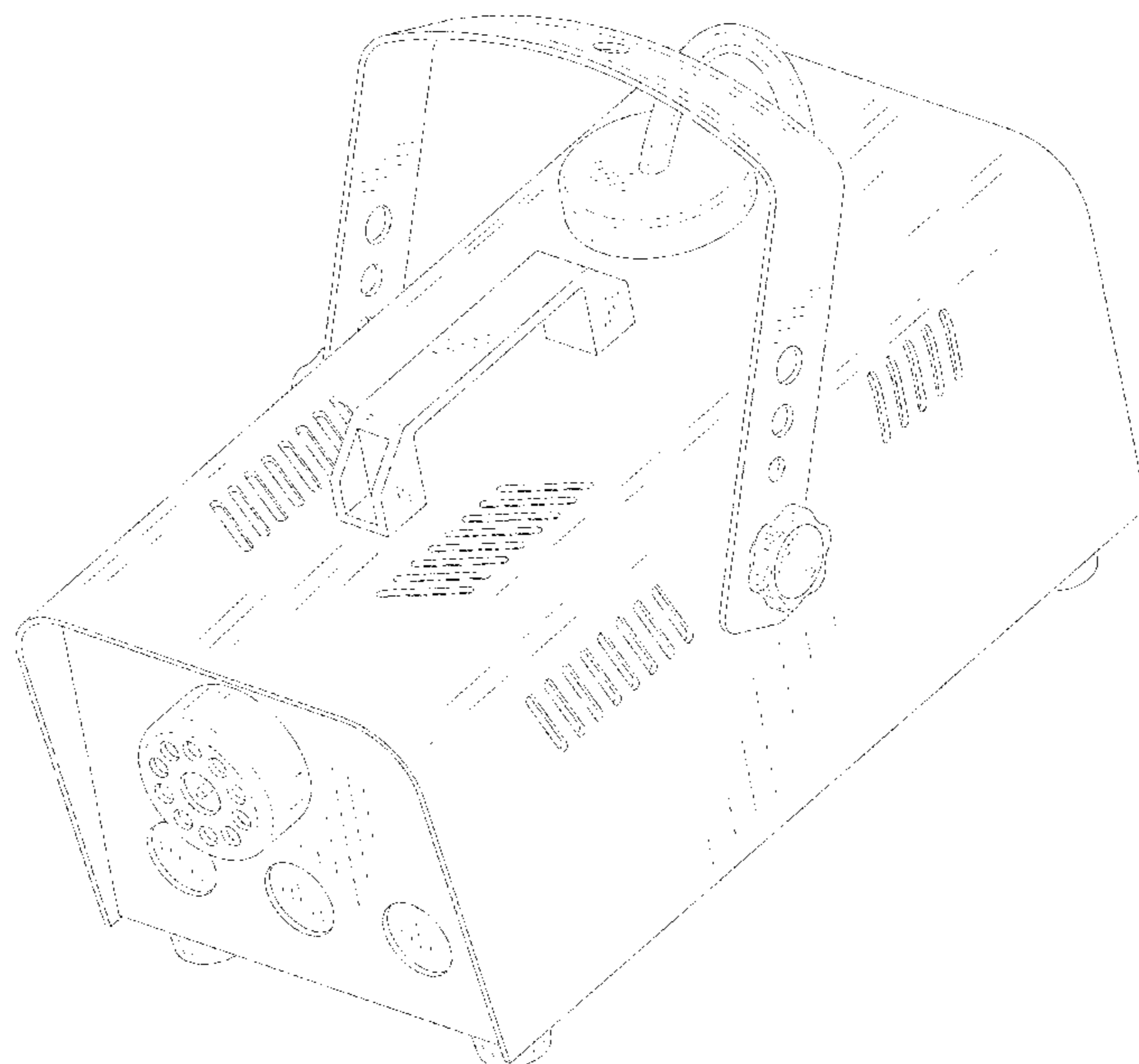
(57) **CLAIM**

The ornamental design for a fog machine, as shown and described.

DESCRIPTION

FIG. 1 is a perspective view of a fog machine showing my new design;
FIG. 2 is an alternative perspective view thereof;
FIG. 3 is a front view thereof;
FIG. 4 is a back view thereof;
FIG. 5 is a left side view thereof;
FIG. 6 is a right side view thereof;
FIG. 7 is a top view thereof; and,
FIG. 8 is a bottom view thereof.
The broken lines in the drawing depict environmental subject matter only and form no part of the claimed design.

1 Claim, 8 Drawing Sheets



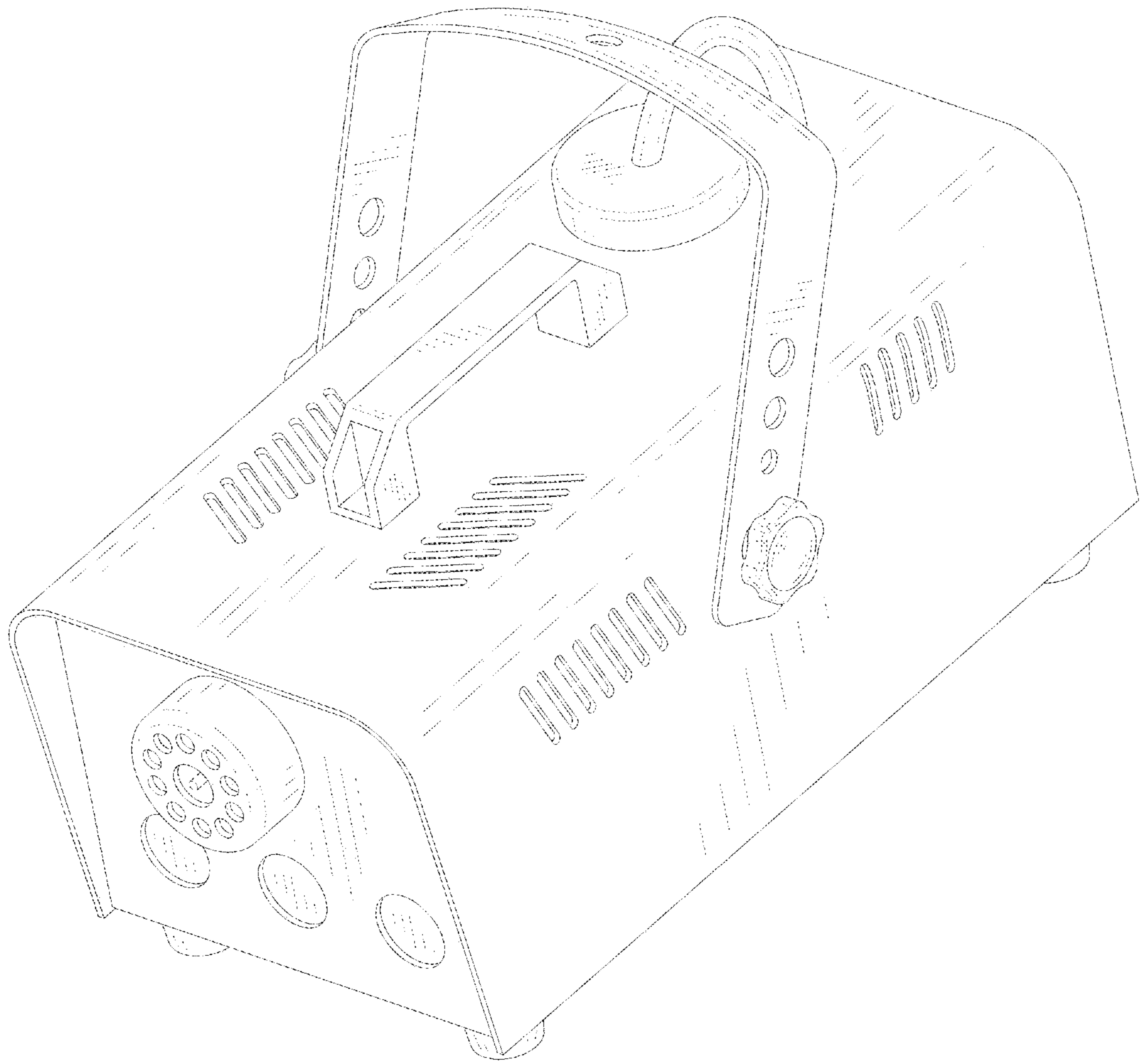


FIG.1

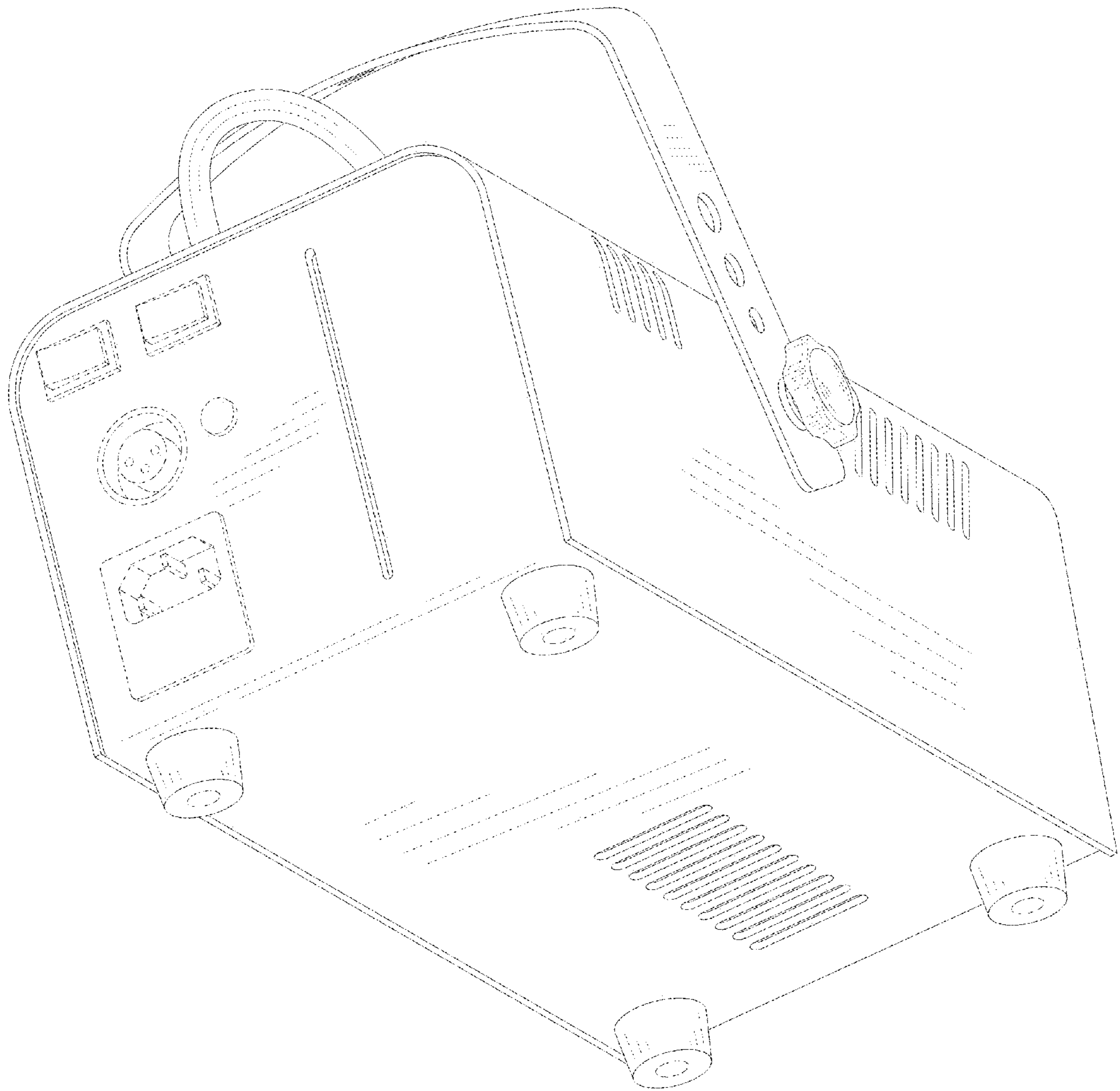


FIG. 2

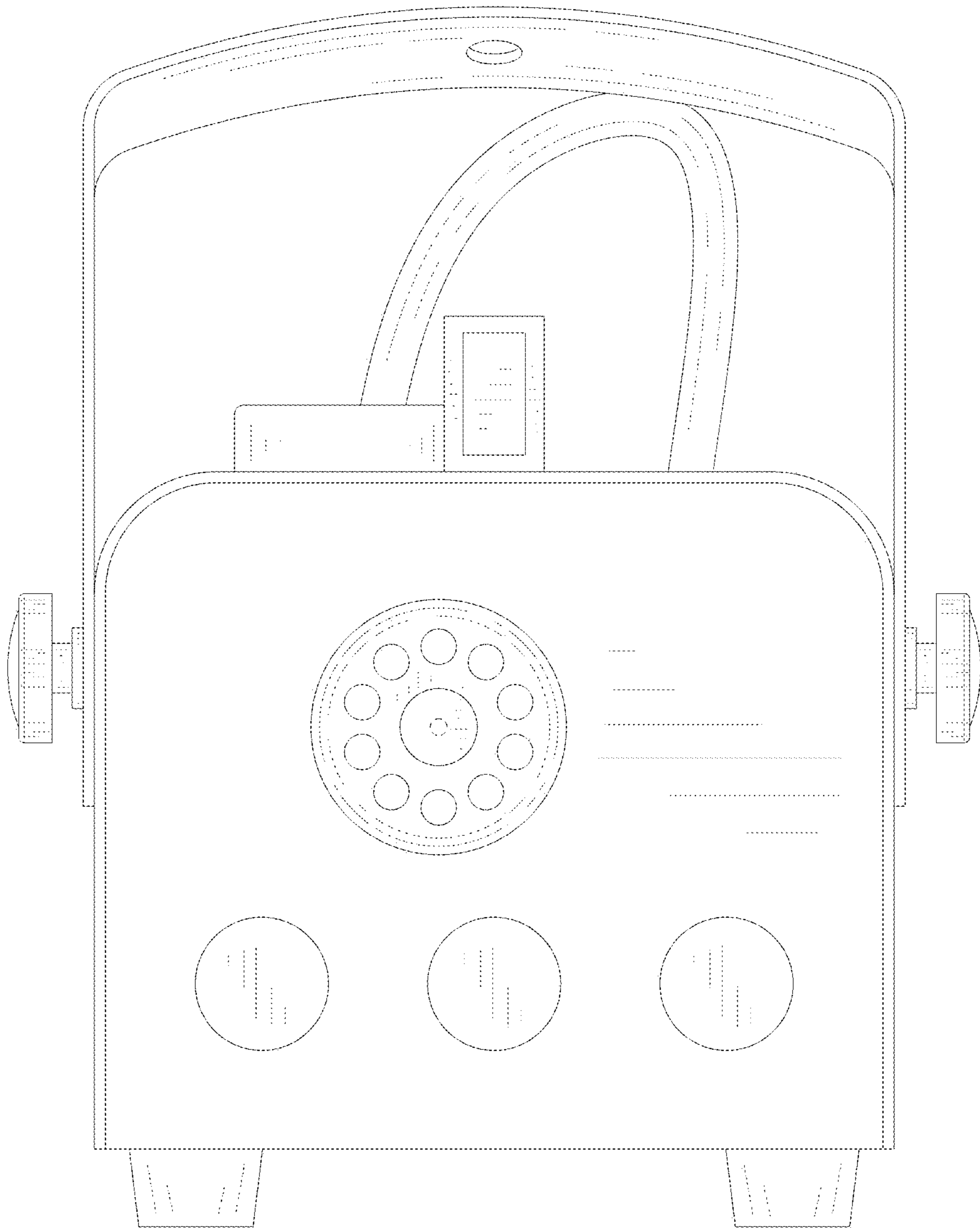


FIG. 3

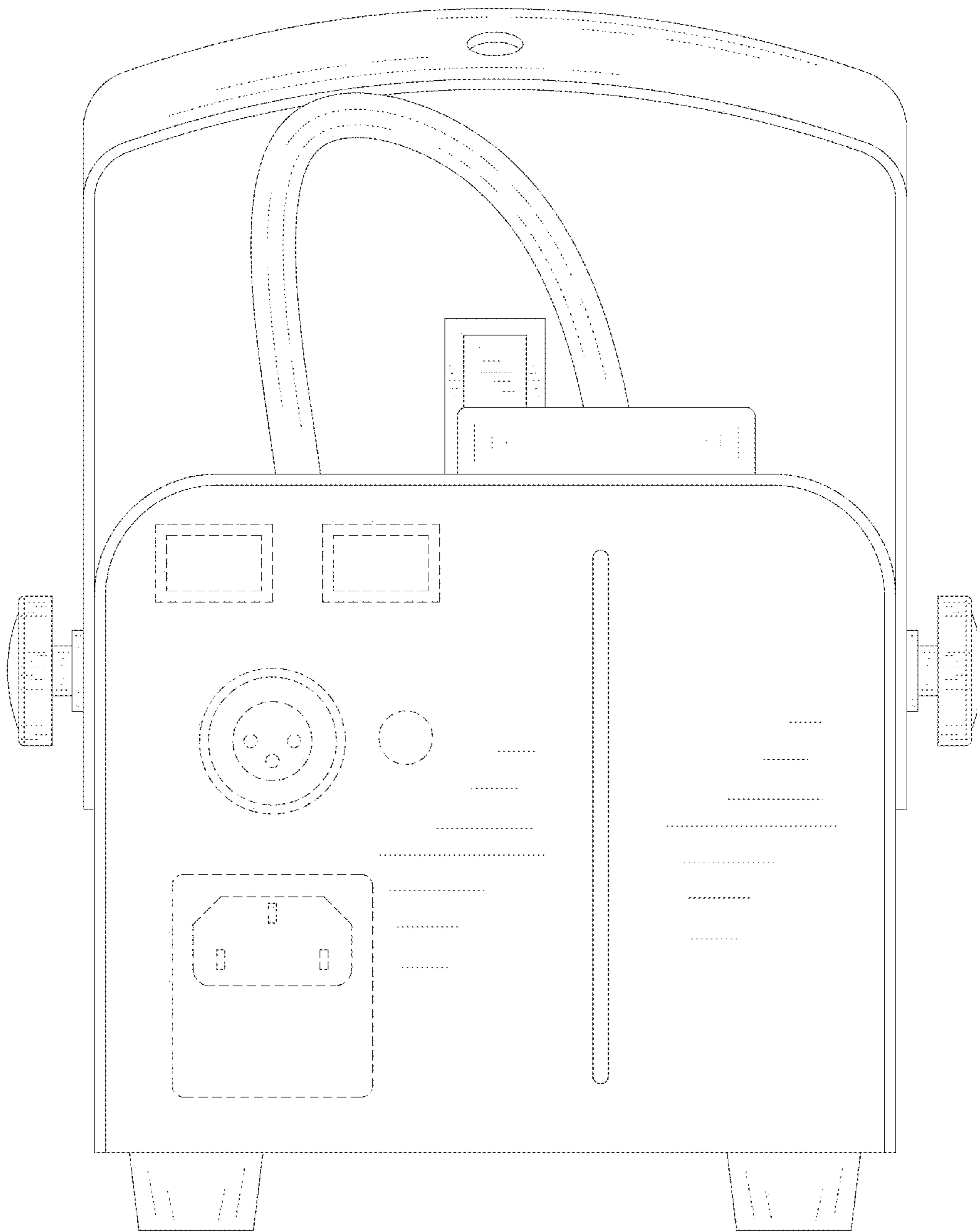


FIG. 4

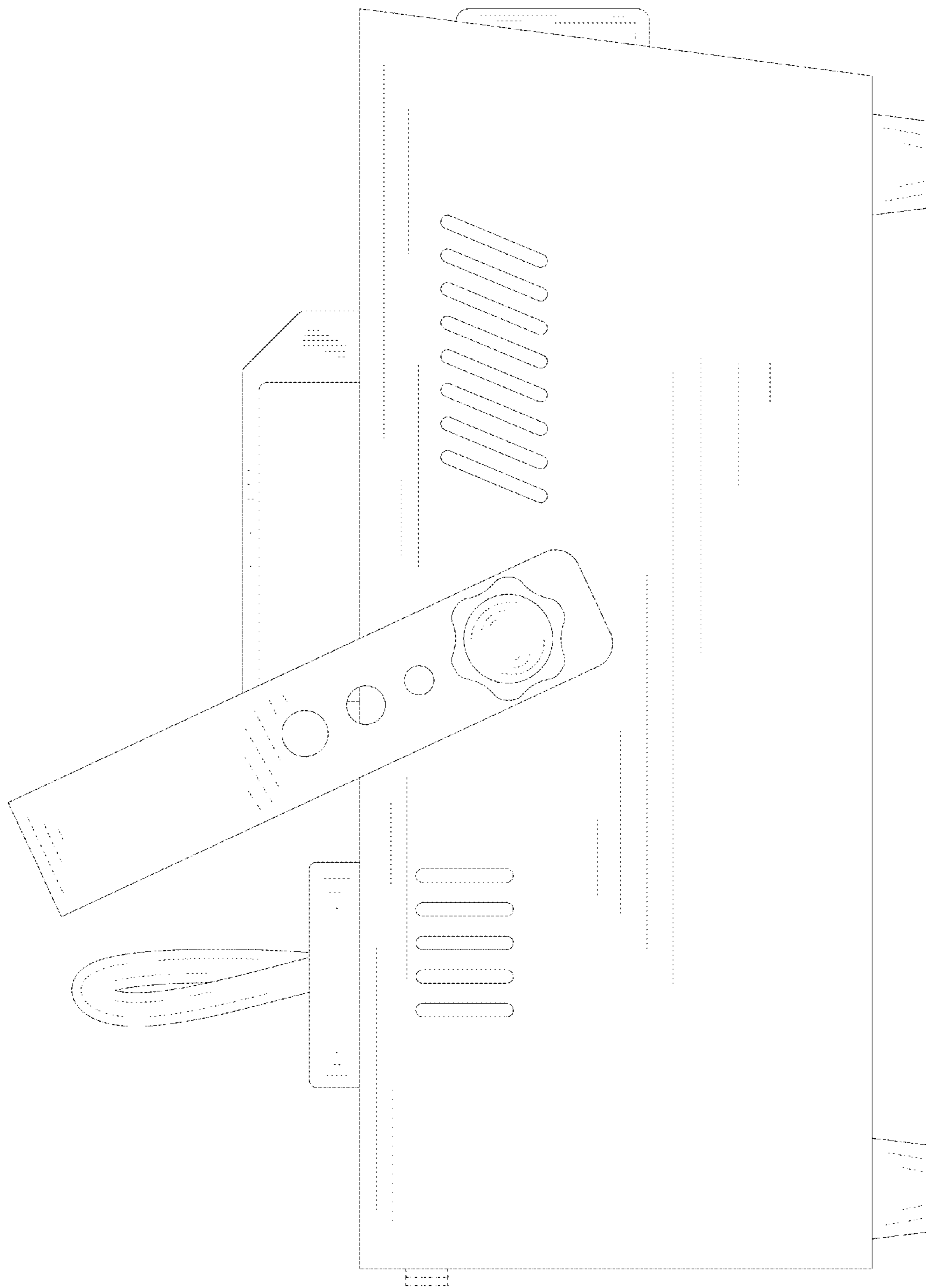


FIG. 5

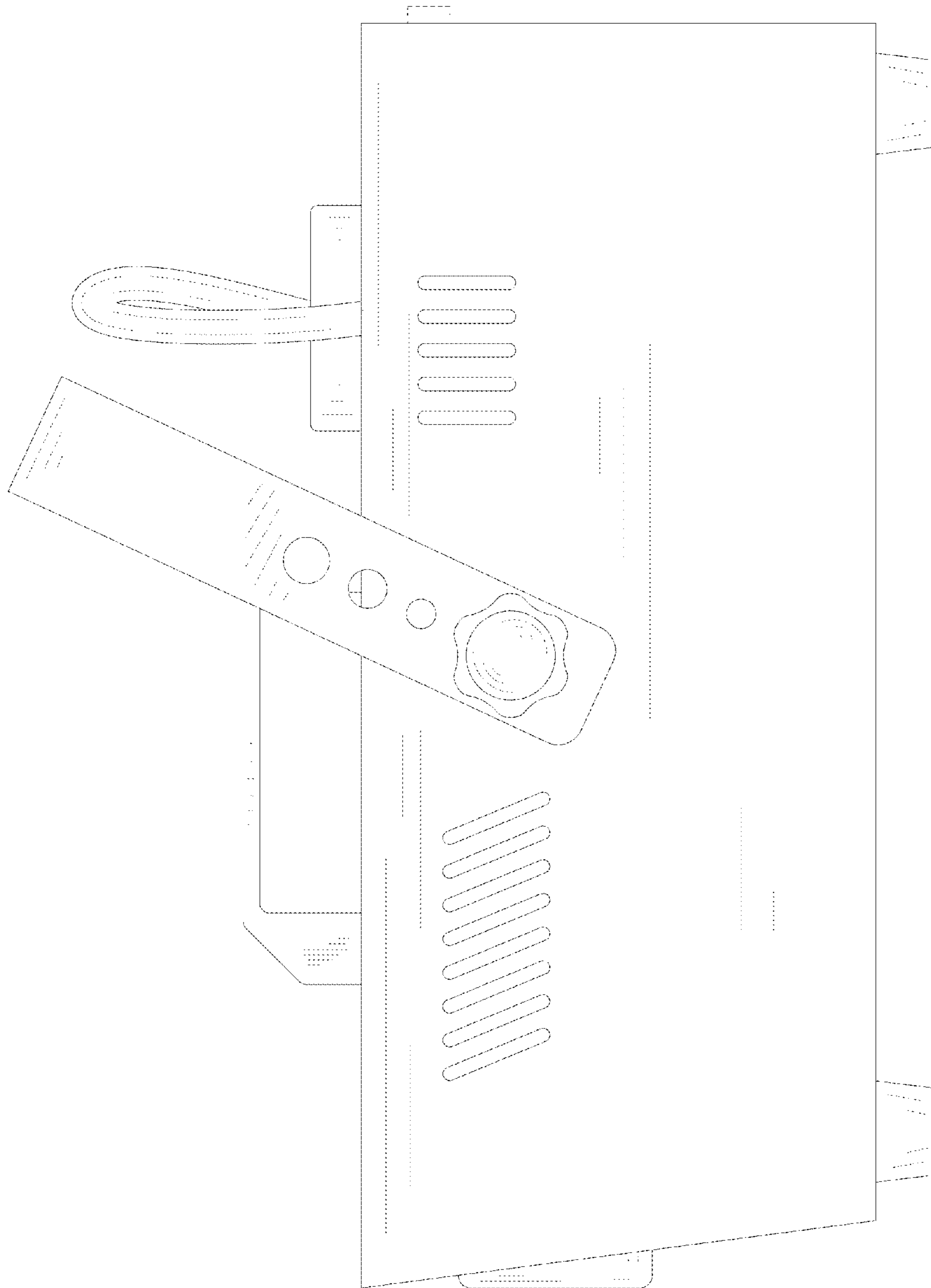


FIG. 6

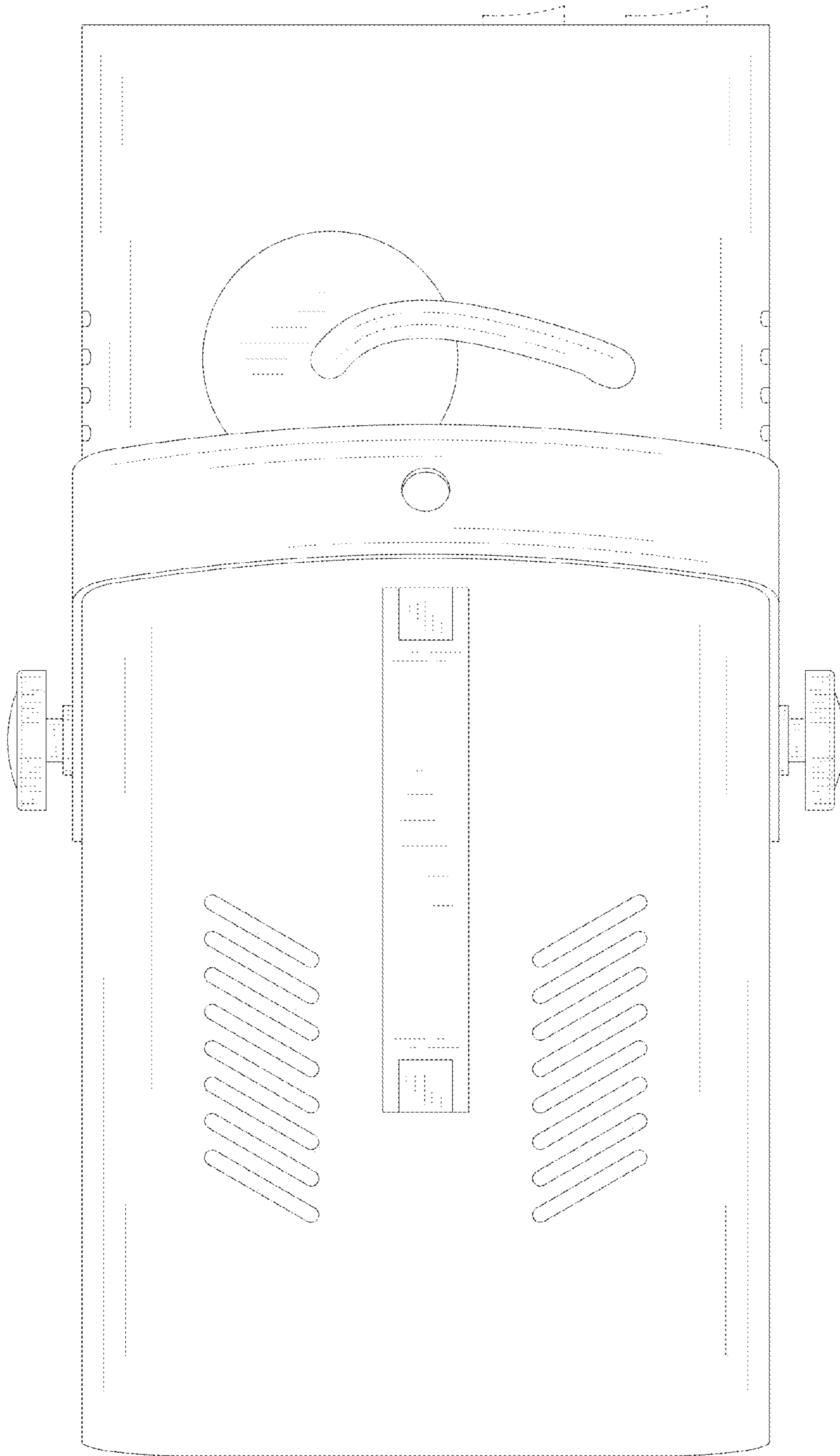


FIG. 7

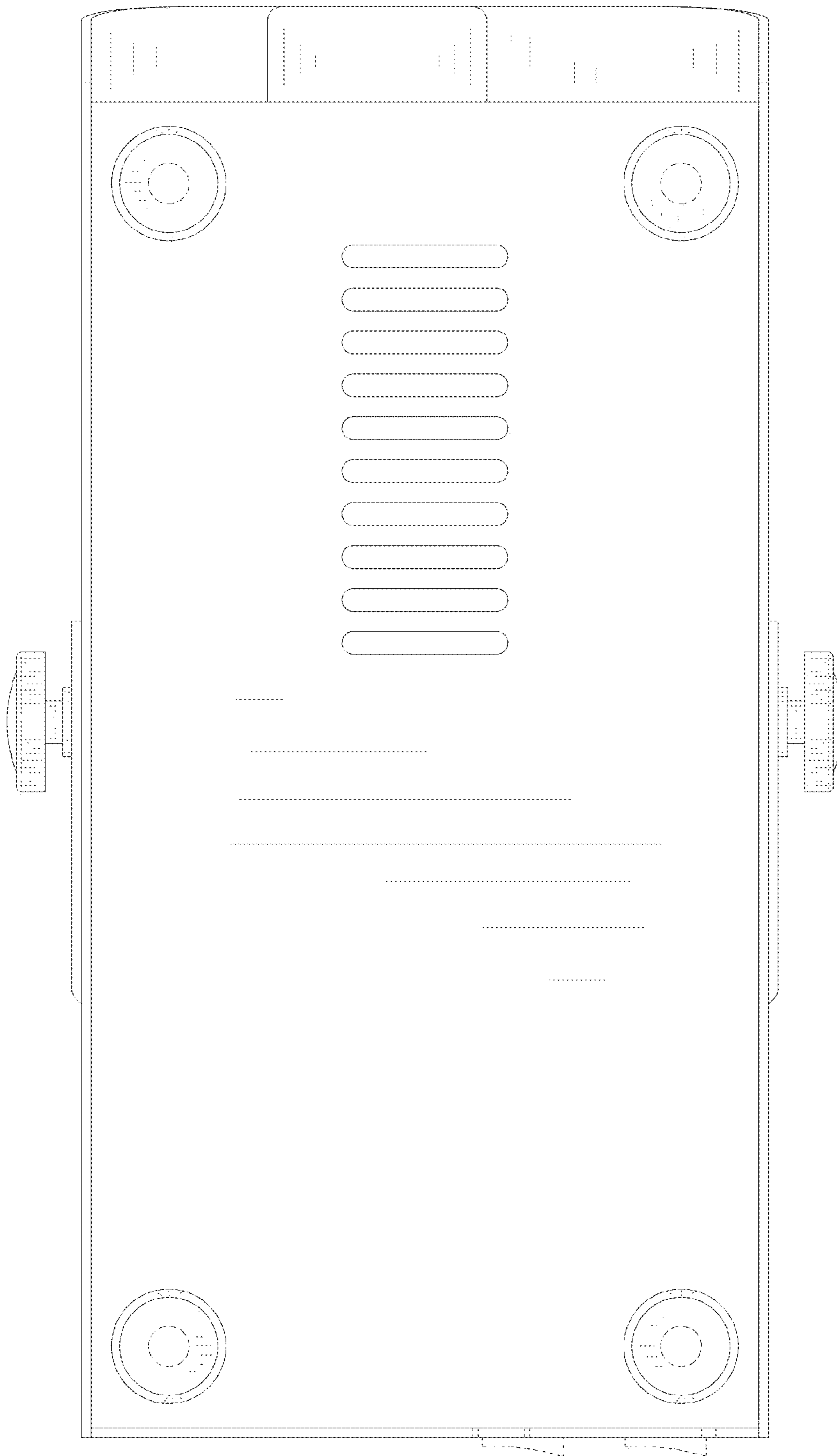


FIG. 8