



US00D947985S

(12) **United States Design Patent** (10) **Patent No.:** **US D947,985 S**
Mathieu et al. (45) **Date of Patent:** **** Apr. 5, 2022**

- (54) **FISHHOOK ACCESSORY**
- (71) Applicant: **Rapala VMC Corporation**, Helsinki (FI)
- (72) Inventors: **Cyrille Mathieu**, Chaska, MN (US); **Meng Da Liu**, Edina, MN (US)
- (73) Assignee: **Rapala VMC Corporation**, Helsinki (FI)
- (**) Term: **15 Years**
- (21) Appl. No.: **29/709,347**
- (22) Filed: **Oct. 14, 2019**
- (51) **LOC (13) Cl.** **22-05**
- (52) **U.S. Cl.**
USPC **D22/144**
- (58) **Field of Classification Search**
USPC D22/134, 137, 142, 144–146, 149;
D11/7, 40, 43–44, 47–48
CPC A01K 85/00; A01K 85/01; A01K 87/06;
A01K 87/08; A01K 91/00; A01K 91/04;
A01K 91/18; A01K 93/00; A01K 95/00;
A01K 97/00; A01K 97/06
See application file for complete search history.

- (56) **References Cited**
U.S. PATENT DOCUMENTS
D144,012 S * 2/1946 Voigt D22/145
D228,497 S * 10/1973 Crawford D22/145

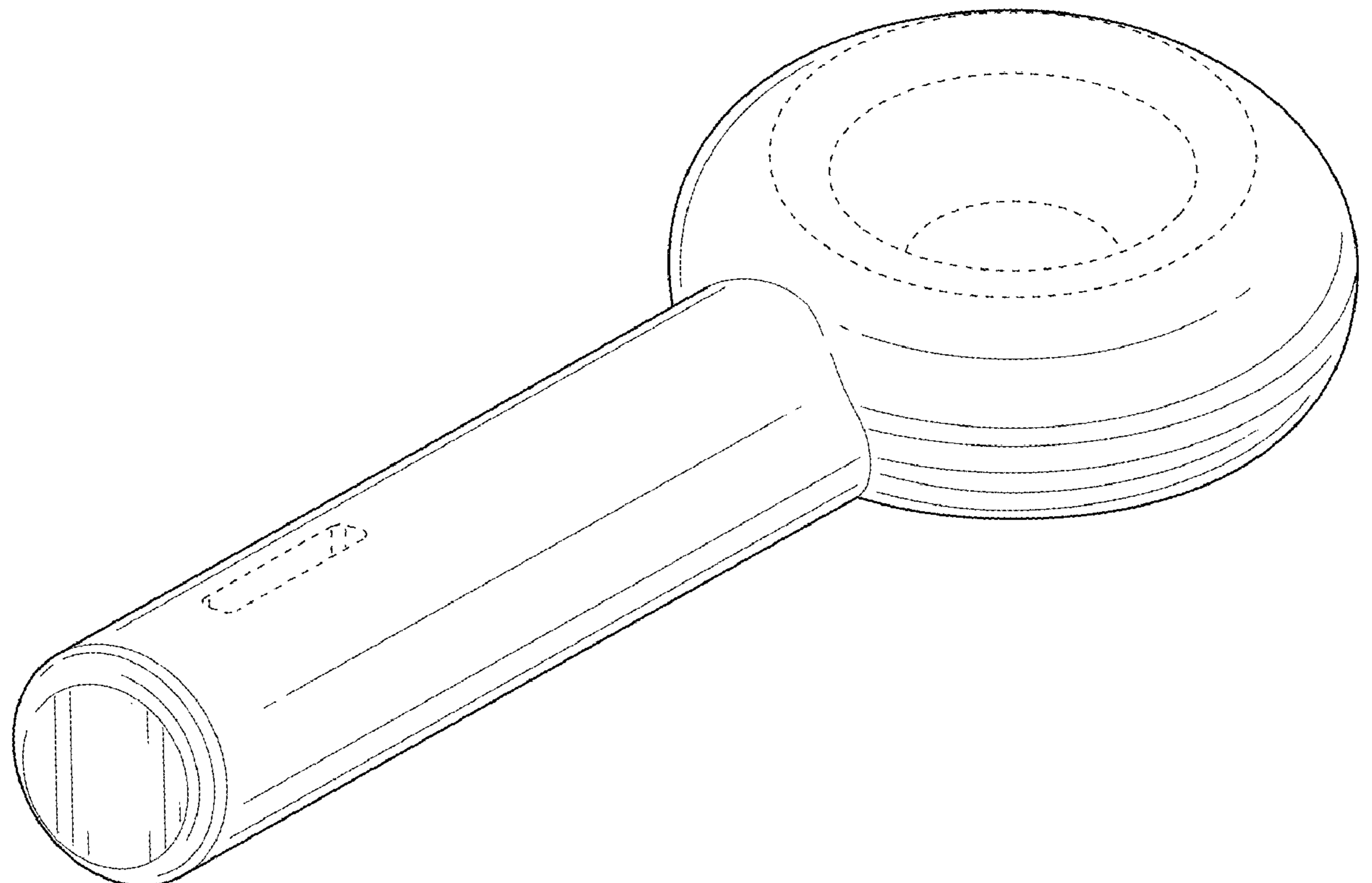
- D246,532 S * 11/1977 Ingram D22/145
- D346,423 S * 4/1994 Kitagawa D22/134
- D620,069 S * 7/2010 Ashley D22/134
- D645,933 S * 9/2011 Henry, Jr. D22/134
- D770,007 S * 10/2016 Manson D22/144
- D794,158 S * 8/2017 Torgerson D22/145
- 2010/0287813 A1* 11/2010 Moritz A01K 91/04
43/43.1
- 2019/0380320 A1* 12/2019 Turner A01K 91/04

* cited by examiner
Primary Examiner — Catherine R Oliver-Garcia
(74) *Attorney, Agent, or Firm* — Dority & Manning, P.A.

(57) **CLAIM**
The ornamental design for a fishhook accessory, as shown and described.

DESCRIPTION
FIG. 1 is a perspective view of the fishhook accessory; FIG. 2 is a front view of the fishhook accessory of FIG. 1; FIG. 3 is a back view of the fishhook accessory of FIG. 1; FIG. 4 is a side view of the fishhook accessory of FIG. 1; FIG. 5 is another side view of the fishhook accessory of FIG. 1; FIG. 6 is a top view of the fishhook accessory of FIG. 1; and, FIG. 7 is a bottom view of fishhook accessory of FIG. 1. The broken lines shown in the Figures represent portions of the fishhook accessory that form no part of the claimed design.

1 Claim, 4 Drawing Sheets



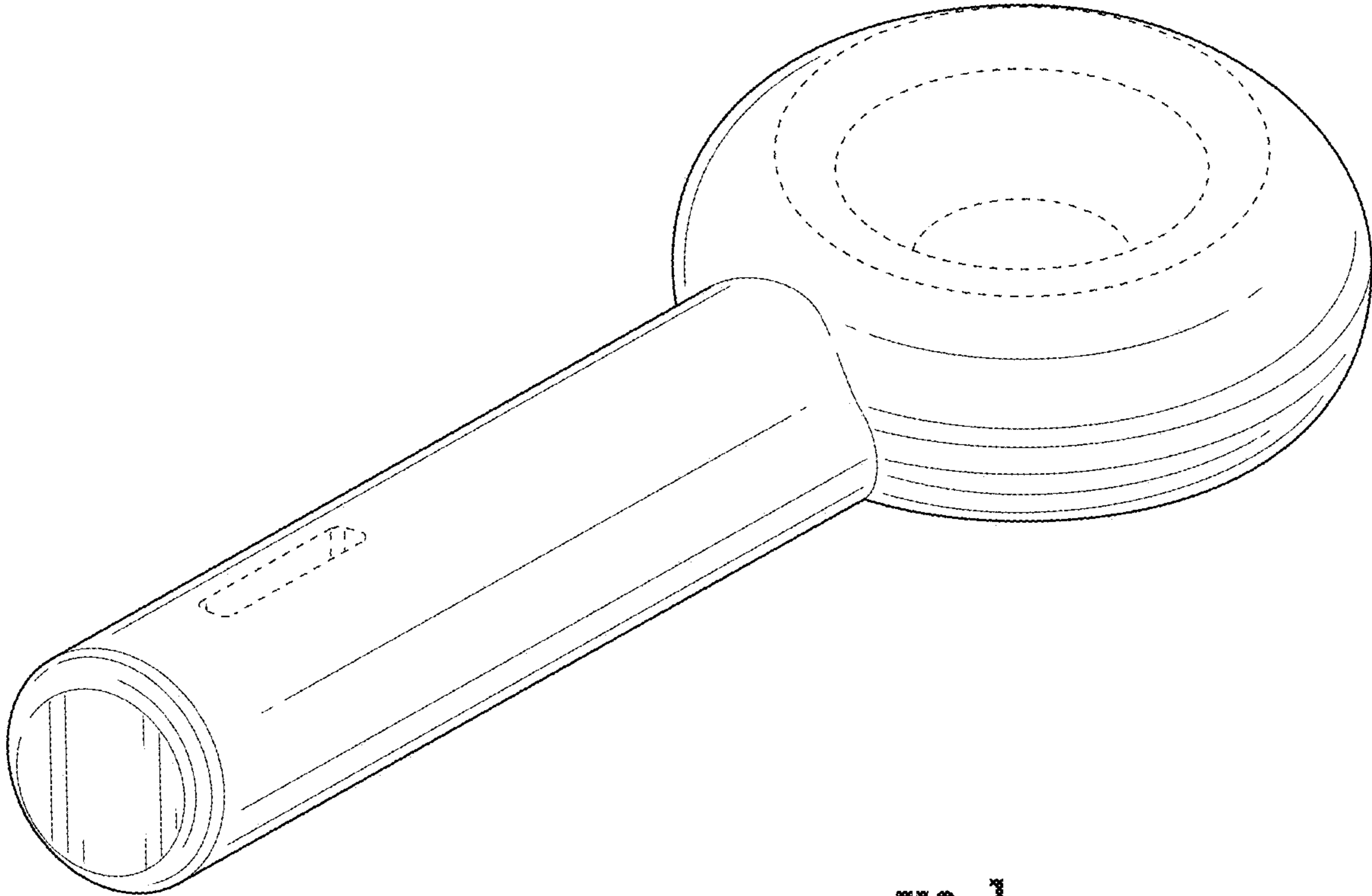


FIG. 1

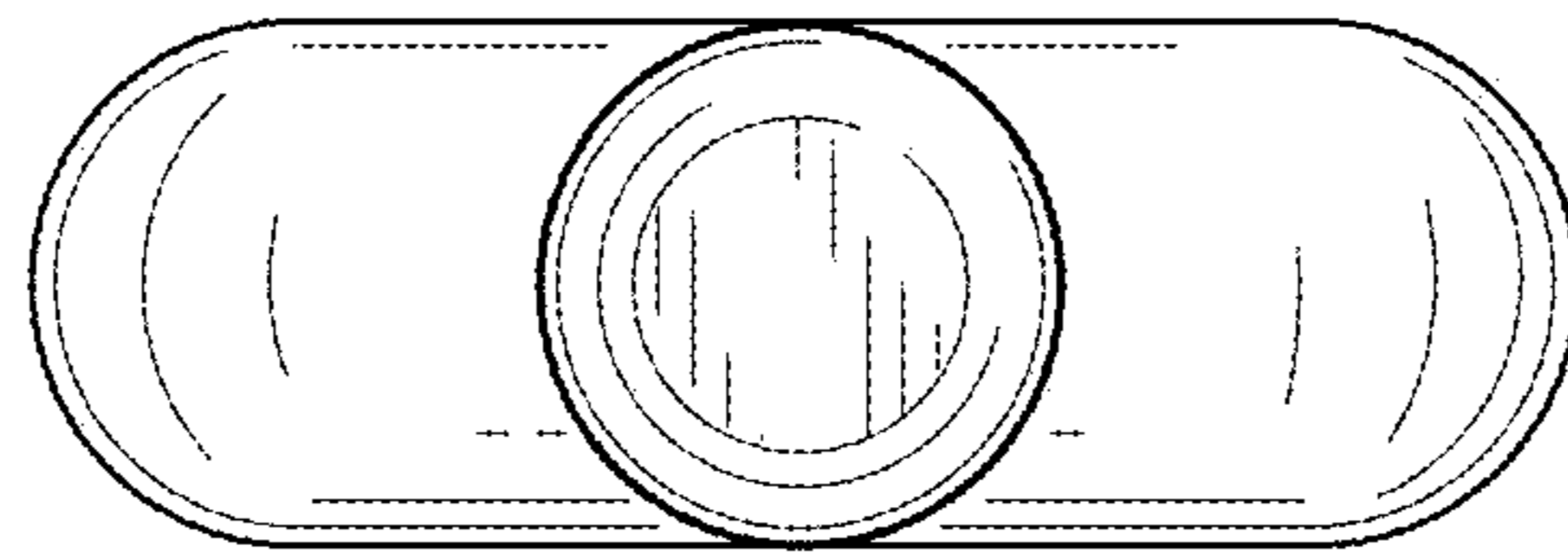


FIG. 2

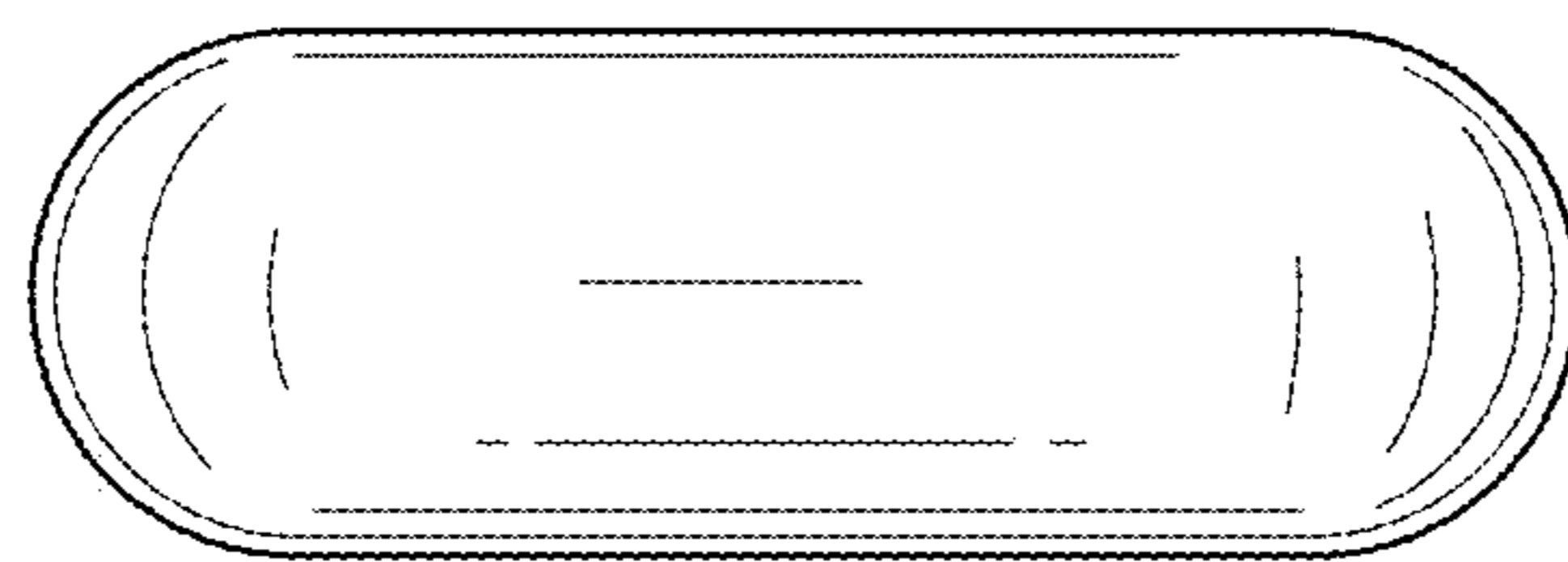


FIG. 3

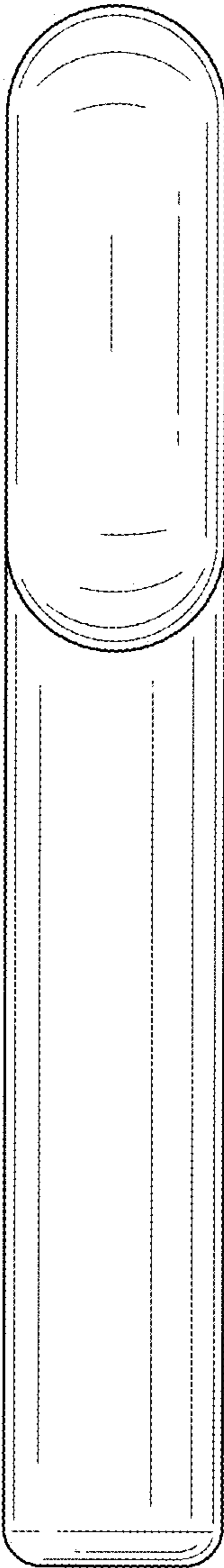


FIG. 4

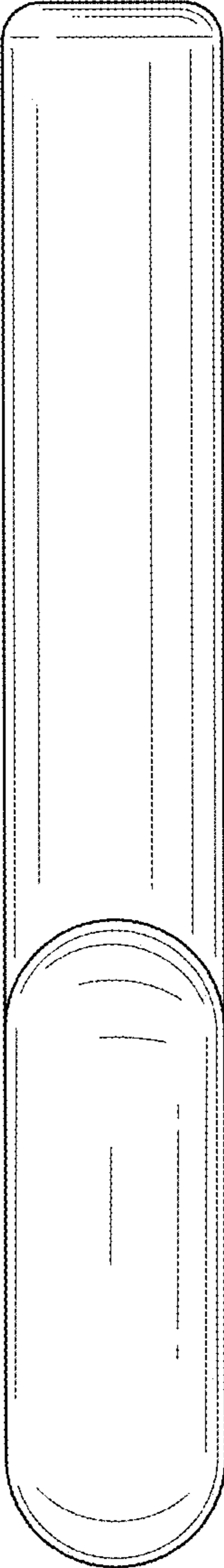


FIG. 5

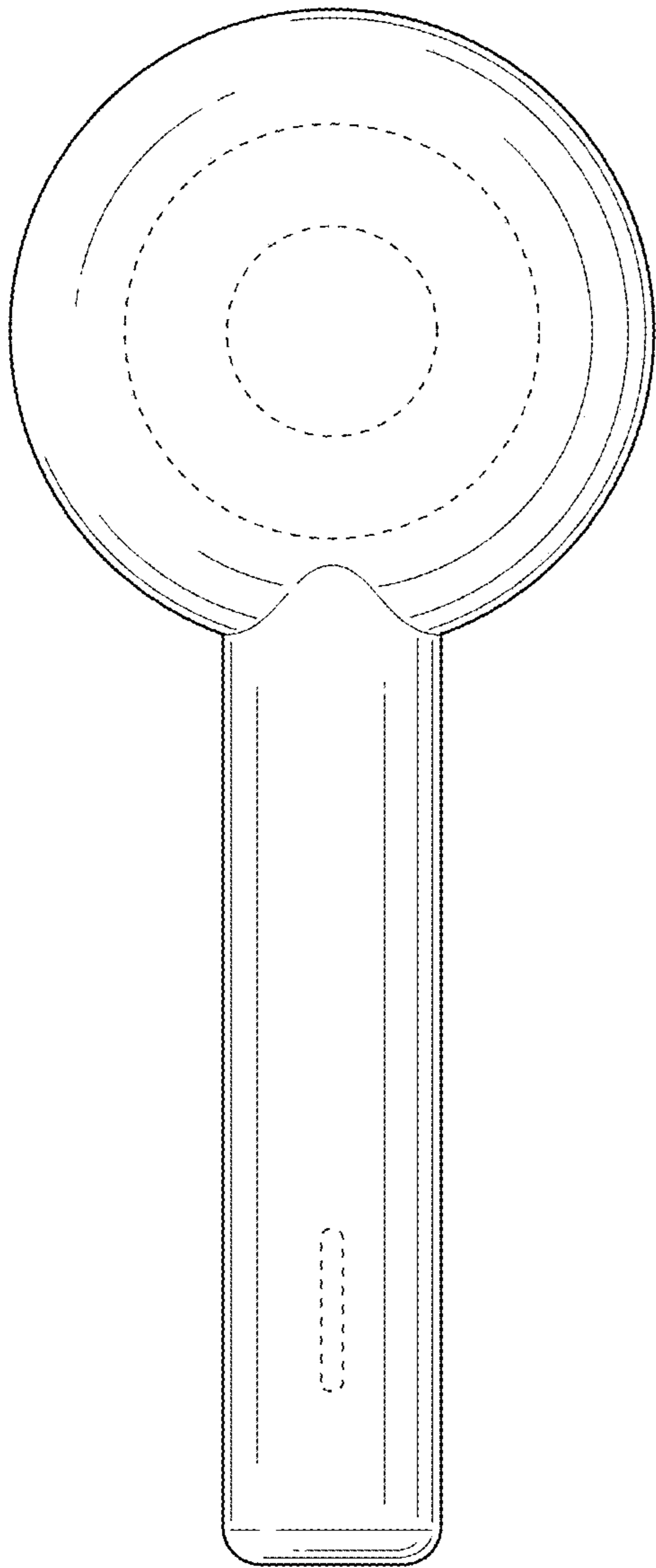


FIG. 6

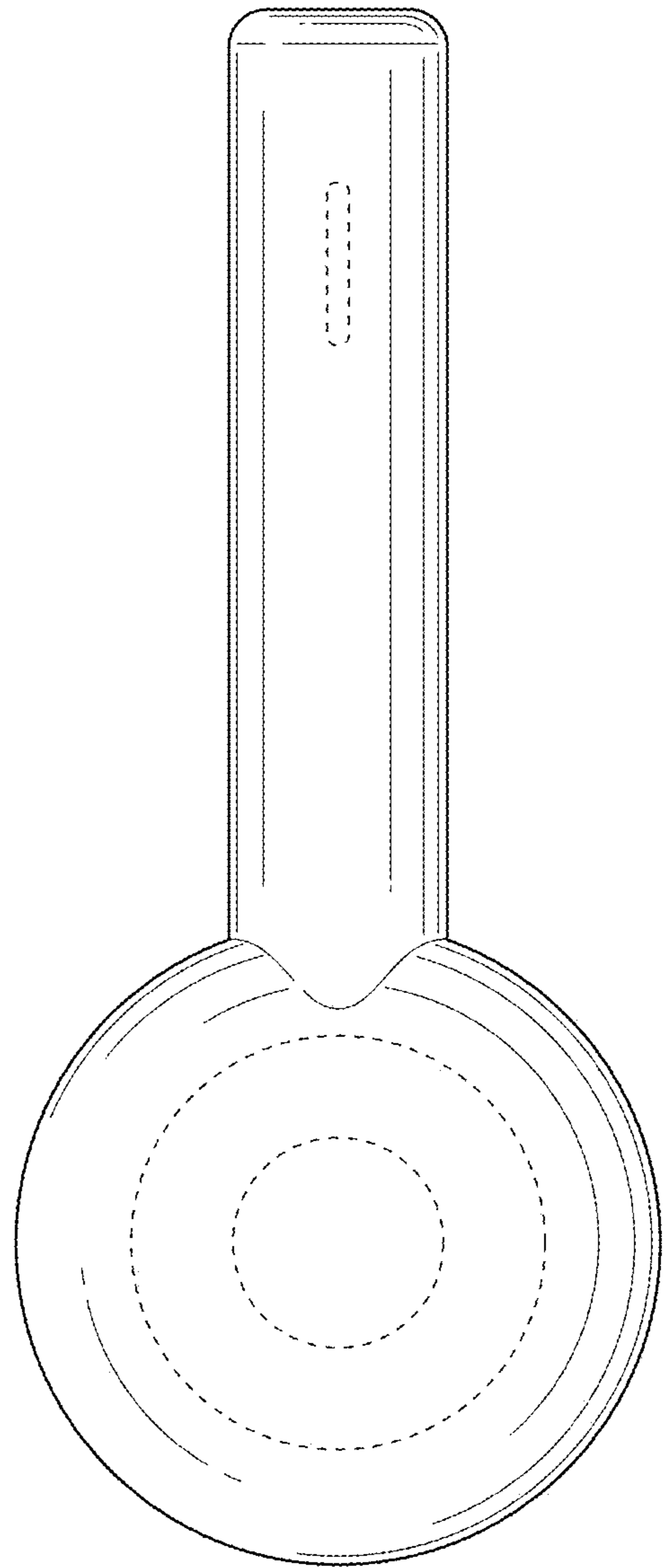


FIG. 7