

US00D947984S

(12) **United States Design Patent** (10) **Patent No.:** **US D947,984 S**
He (45) **Date of Patent:** **** Apr. 5, 2022**

(54) **RODENT REPELLANT**

(71) Applicant: **Chao He**, Shenzhen (CN)

(72) Inventor: **Chao He**, Shenzhen (CN)

(**) Term: **15 Years**

(21) Appl. No.: **29/731,569**

(22) Filed: **Apr. 16, 2020**

(51) **LOC (13) Cl.** **22-06**

(52) **U.S. Cl.**
USPC **D22/120**

(58) **Field of Classification Search**
USPC D22/120, 119; D14/137, 507, 508, 509
CPC A01M 1/04; A01M 1/145; A01M 1/106;
A01M 1/026; A01M 1/2011; A01M
29/00; A01M 29/12; A01M 29/16; A01M
29/34; A01M 29/28; A01M 31/008;
A01M 2200/011; A01M 2200/012; A01N
25/201; A01N 43/16; A01N 49/00

See application file for complete search history.

(56) **References Cited**

U.S. PATENT DOCUMENTS

D410,990 S *	6/1999	Hesser	D22/120
D469,499 S *	1/2003	Levine	D10/2
D522,993 S *	6/2006	Harris, Jr.	D14/195
D638,507 S *	5/2011	Feuerstein	D22/120
D780,878 S *	3/2017	Zhang	D22/120
D879,910 S *	3/2020	Gu	D22/120
D920,270 S *	5/2021	Xiao	D14/137
2017/0318797 A1 *	11/2017	Smith	A01M 31/002

OTHER PUBLICATIONS

Angveirt Repellent-Electronic-Ultrasonic-Deterrent . . . https://www.amazon.com/Angveirt-Repellent-Electronic-Ultrasonic-Deterrent/dp/B08252VMSP/ref=sr_1_5?crid=2K93UOU06HRGS&dchild=1&keywords=angveirt+mice+repellent&qid=1630122880&prefix=angveirt+mice+repe%2Caps%2C138&sr=8-5 (Year: 2020).*

* cited by examiner

Primary Examiner — Catherine R Oliver-Garcia
(74) *Attorney, Agent, or Firm* — Rosenthal IP Law;
Lawrence Rosenthal

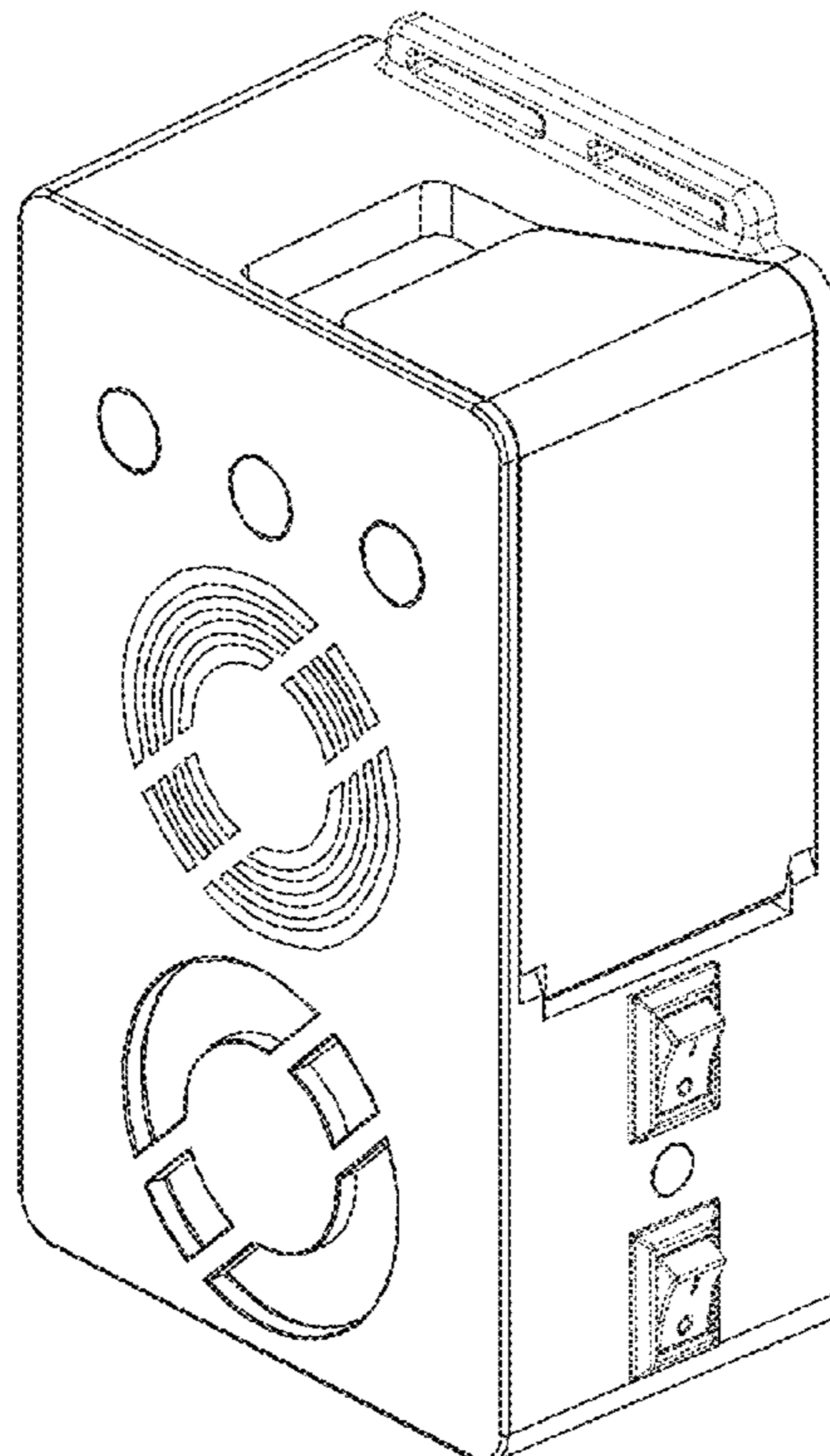
(57) **CLAIM**

I claim the ornamental design for a rodent repellent, as shown and described.

DESCRIPTION

FIG. 1 is an upper front perspective view of my new design; FIG. 2 is a lower front perspective view thereof; FIG. 3 is a top plan view thereof; FIG. 4 is a front elevational view thereof; FIG. 5 is a left elevational view thereof; FIG. 6 is a right elevational view thereof; FIG. 7 is a bottom plan view thereof; and, FIG. 8 is a back elevational view thereof. The broken lines are for the purpose of illustrating portions of the article and form no part of the claimed design.

1 Claim, 8 Drawing Sheets



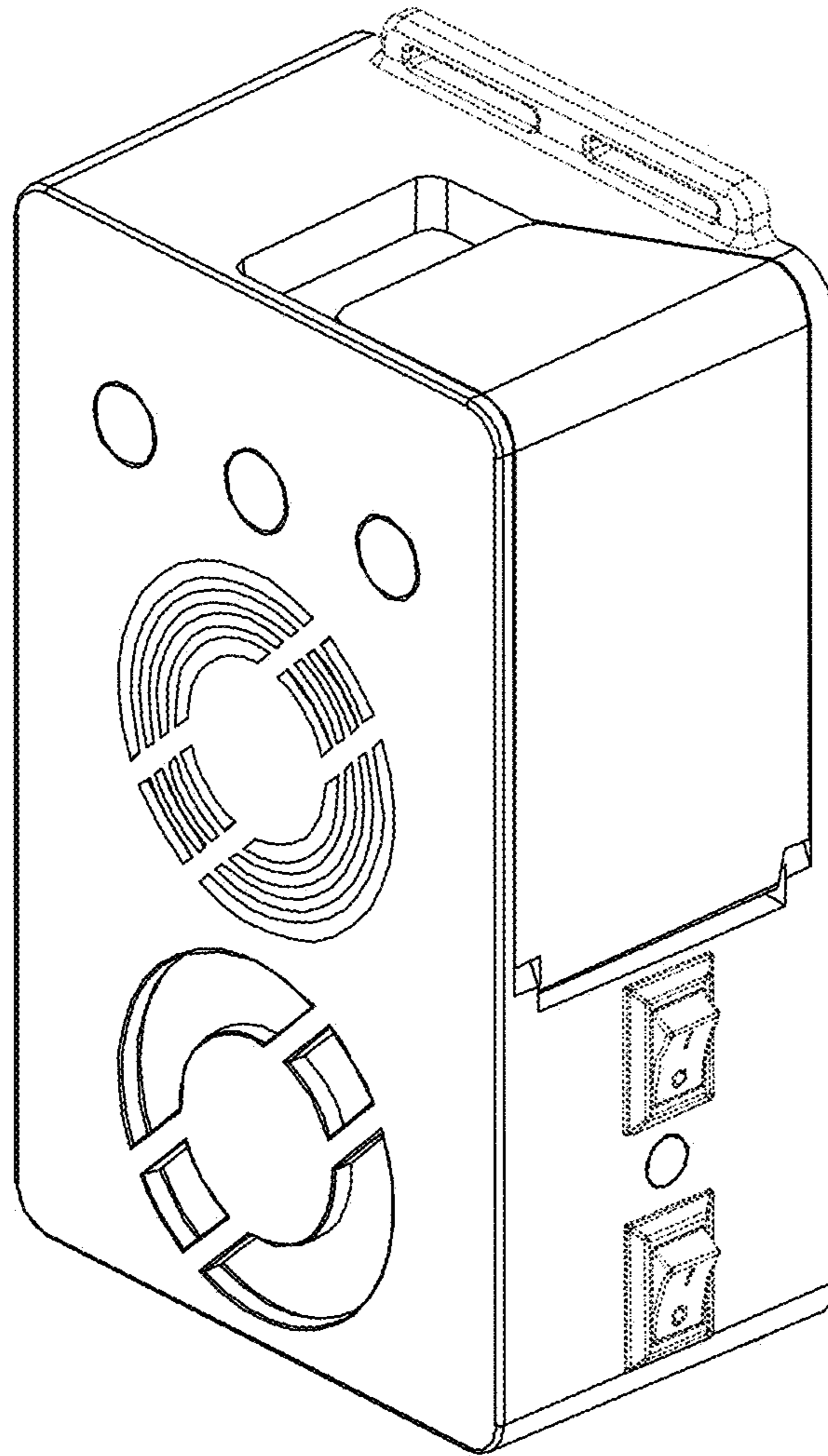


FIG. 1

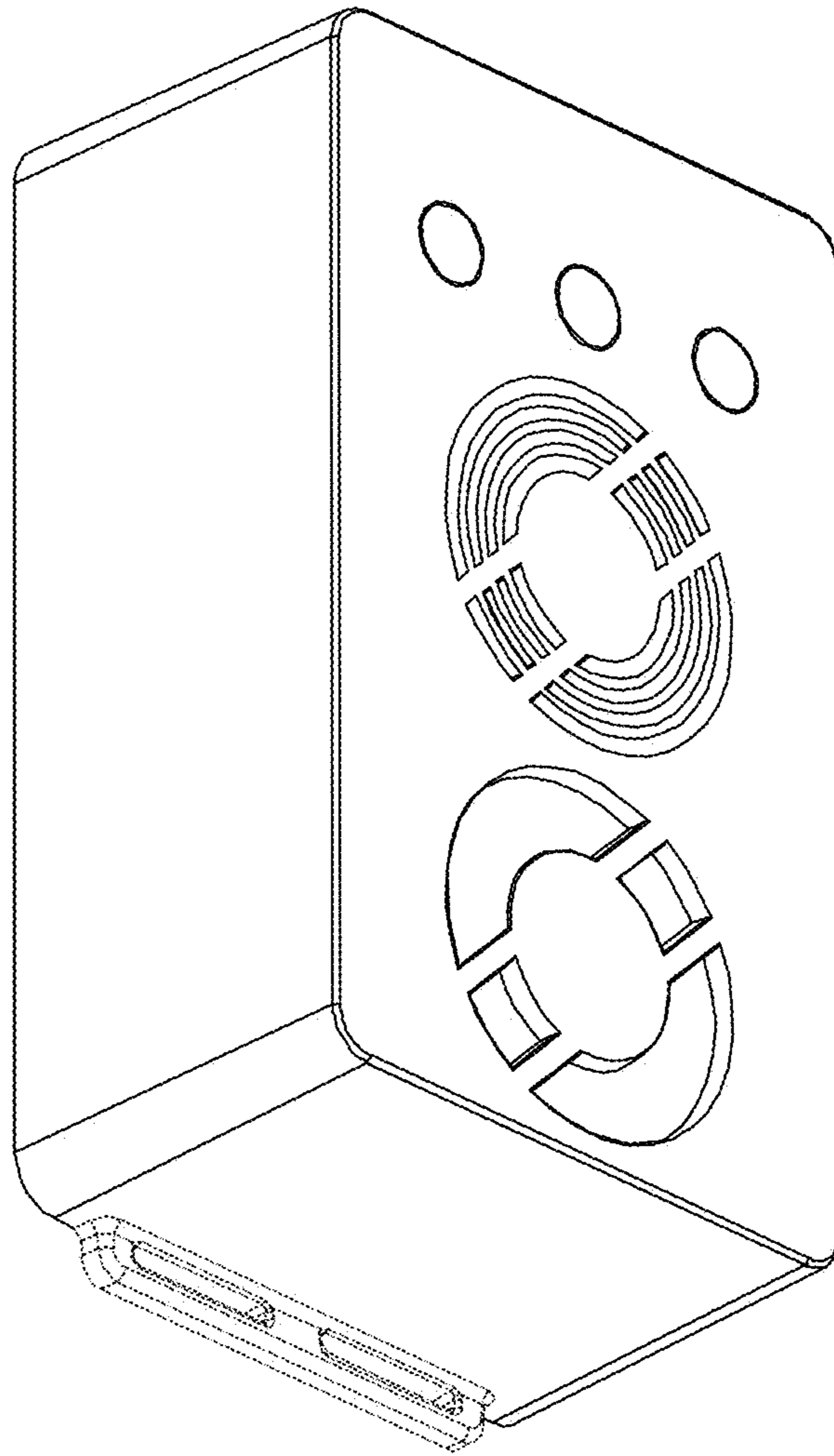


FIG. 2

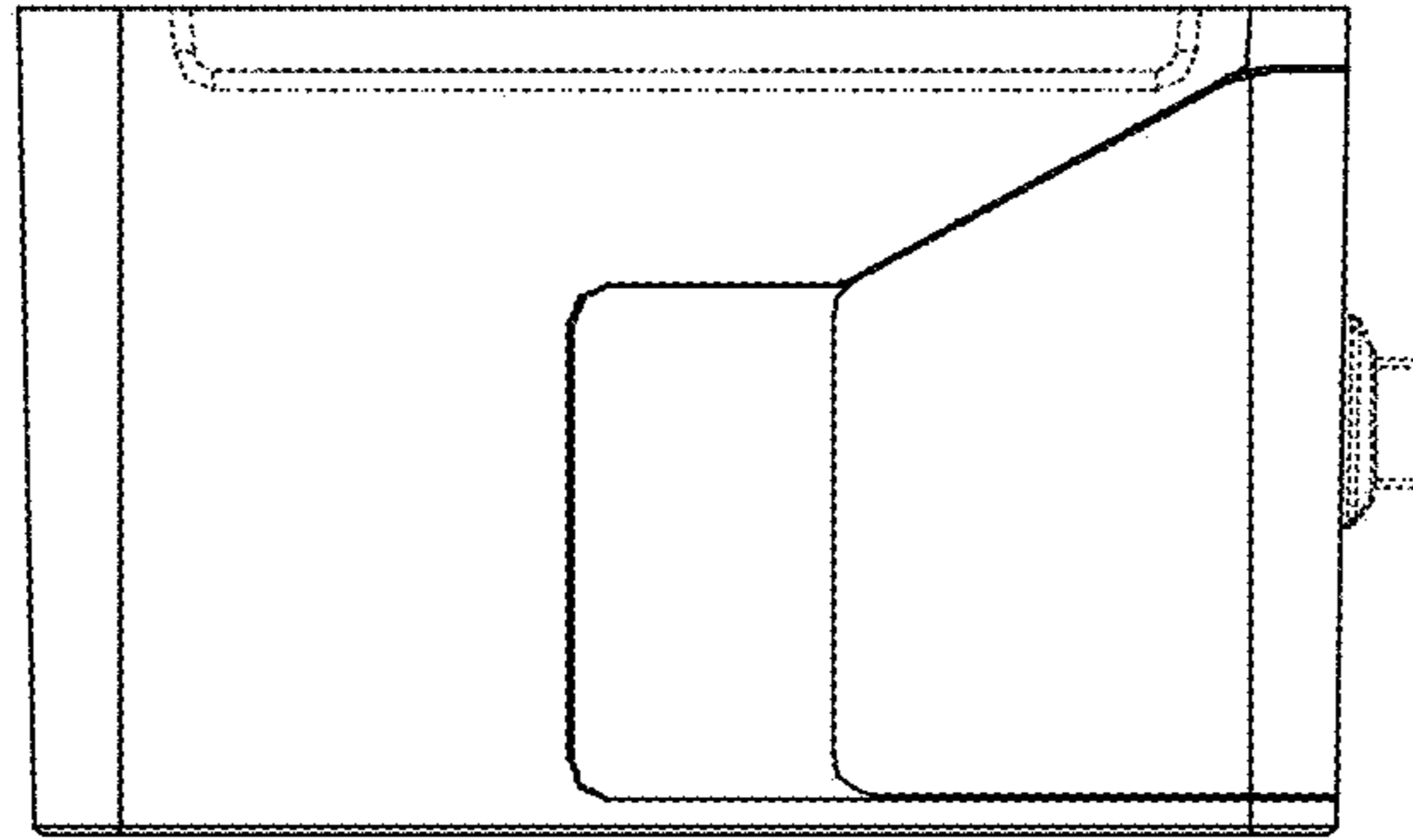


FIG. 3

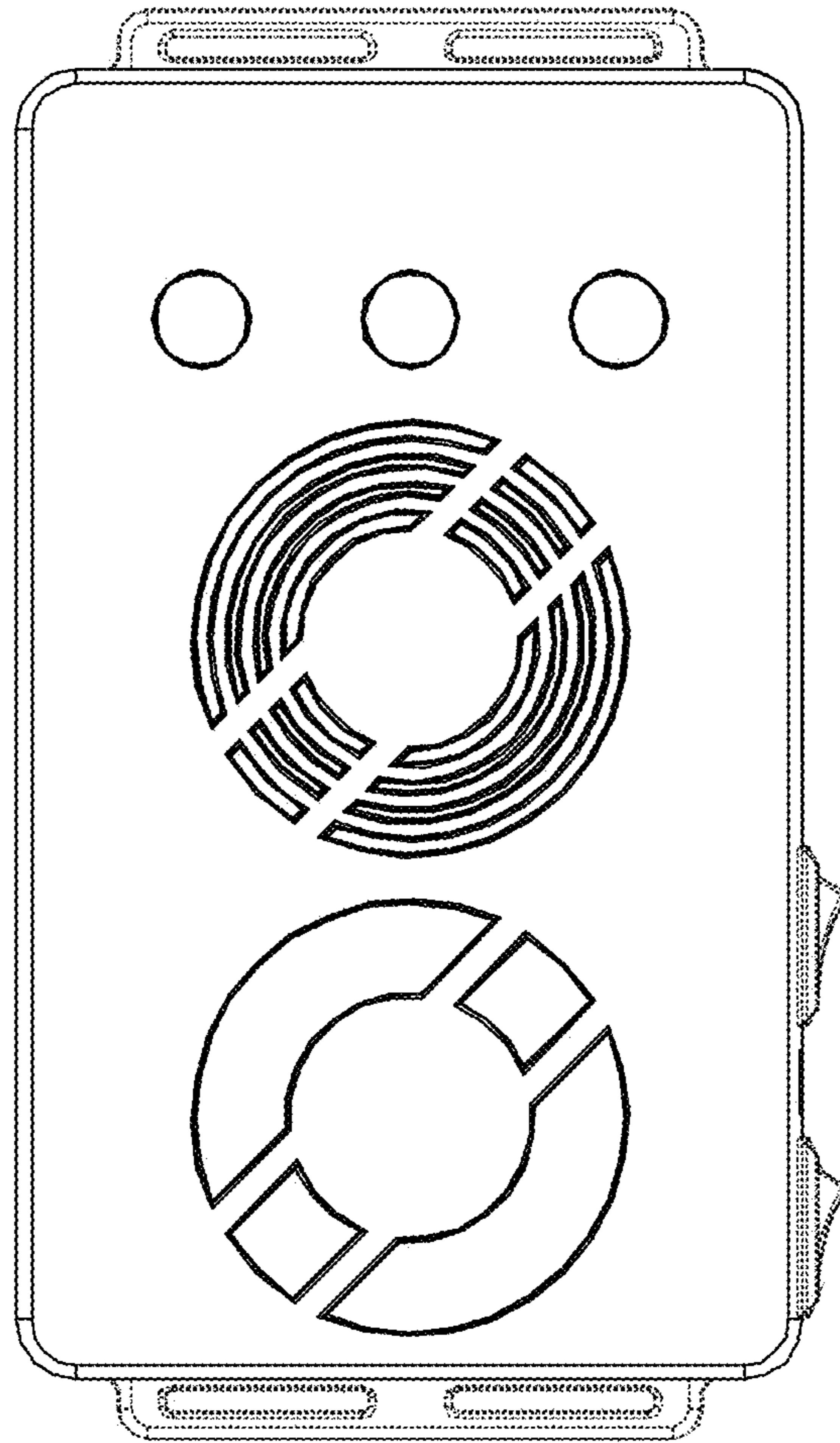


FIG. 4

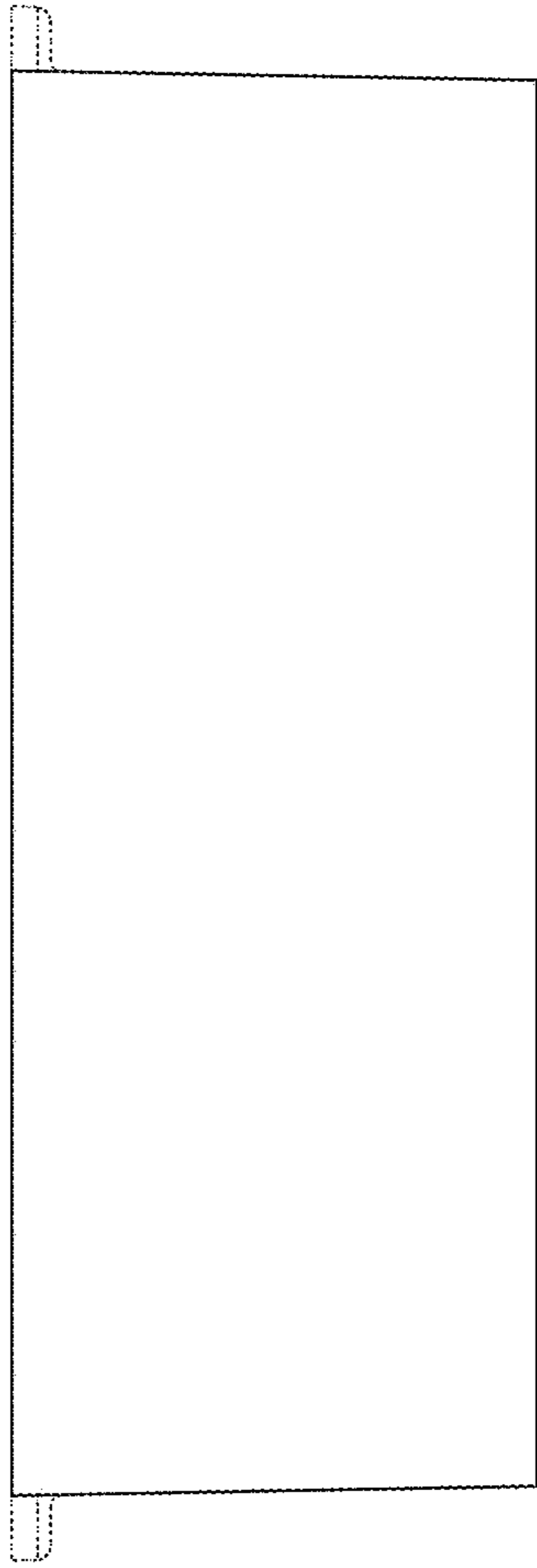


FIG. 5

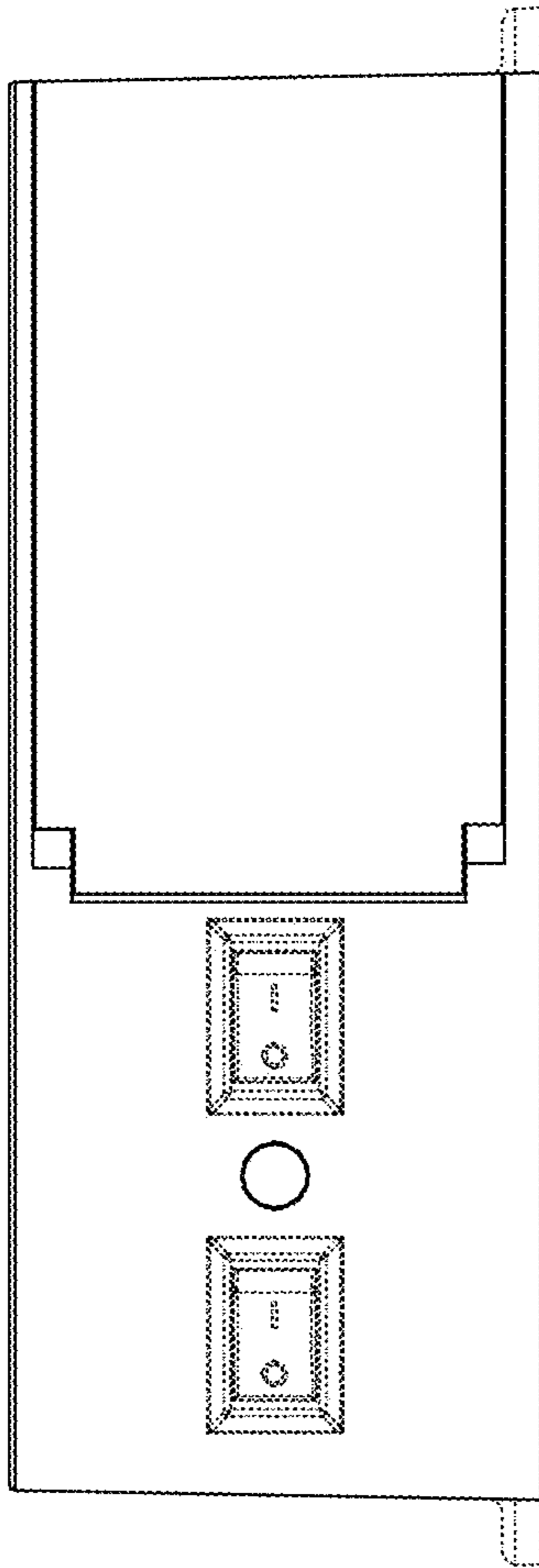


FIG. 6

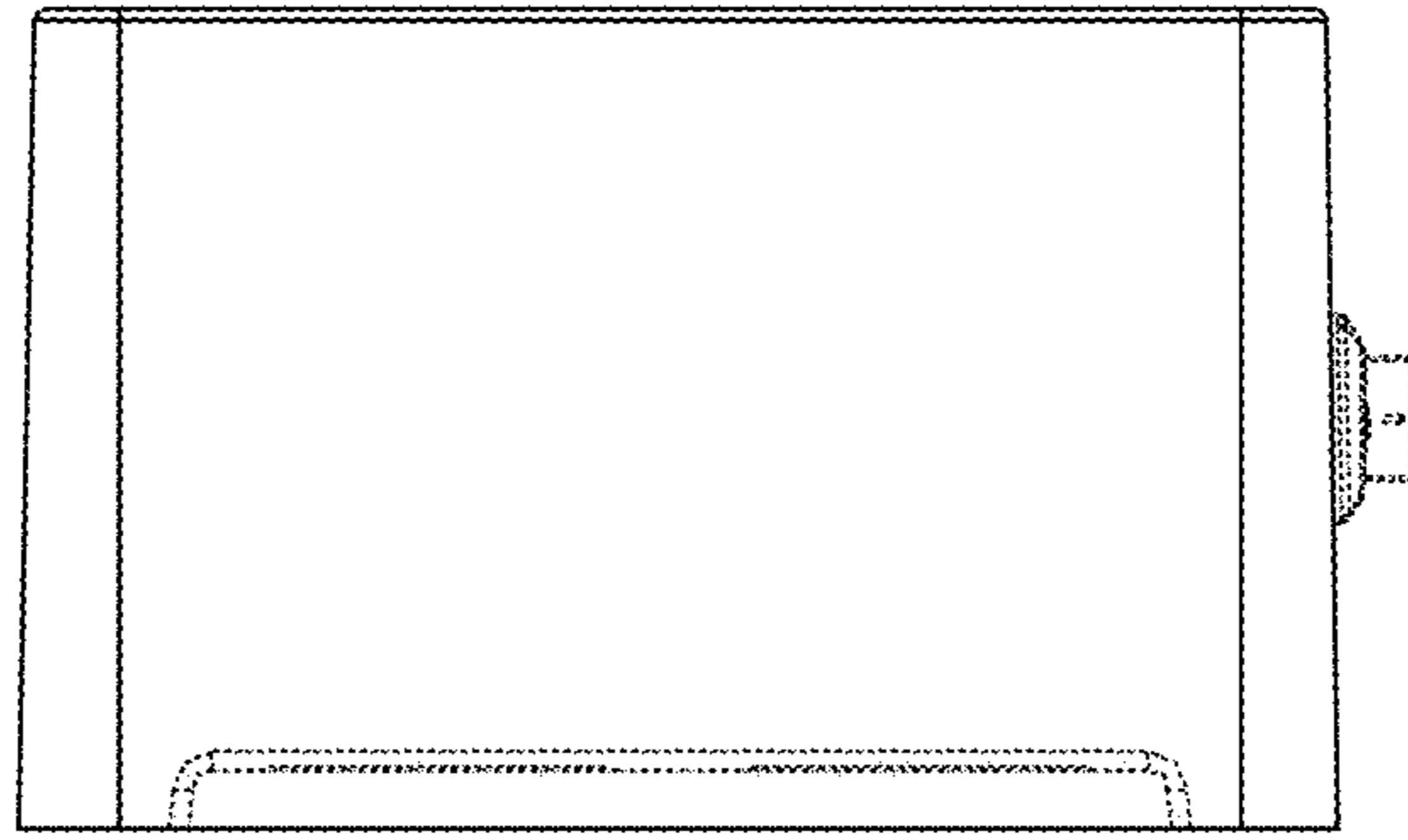


FIG. 7

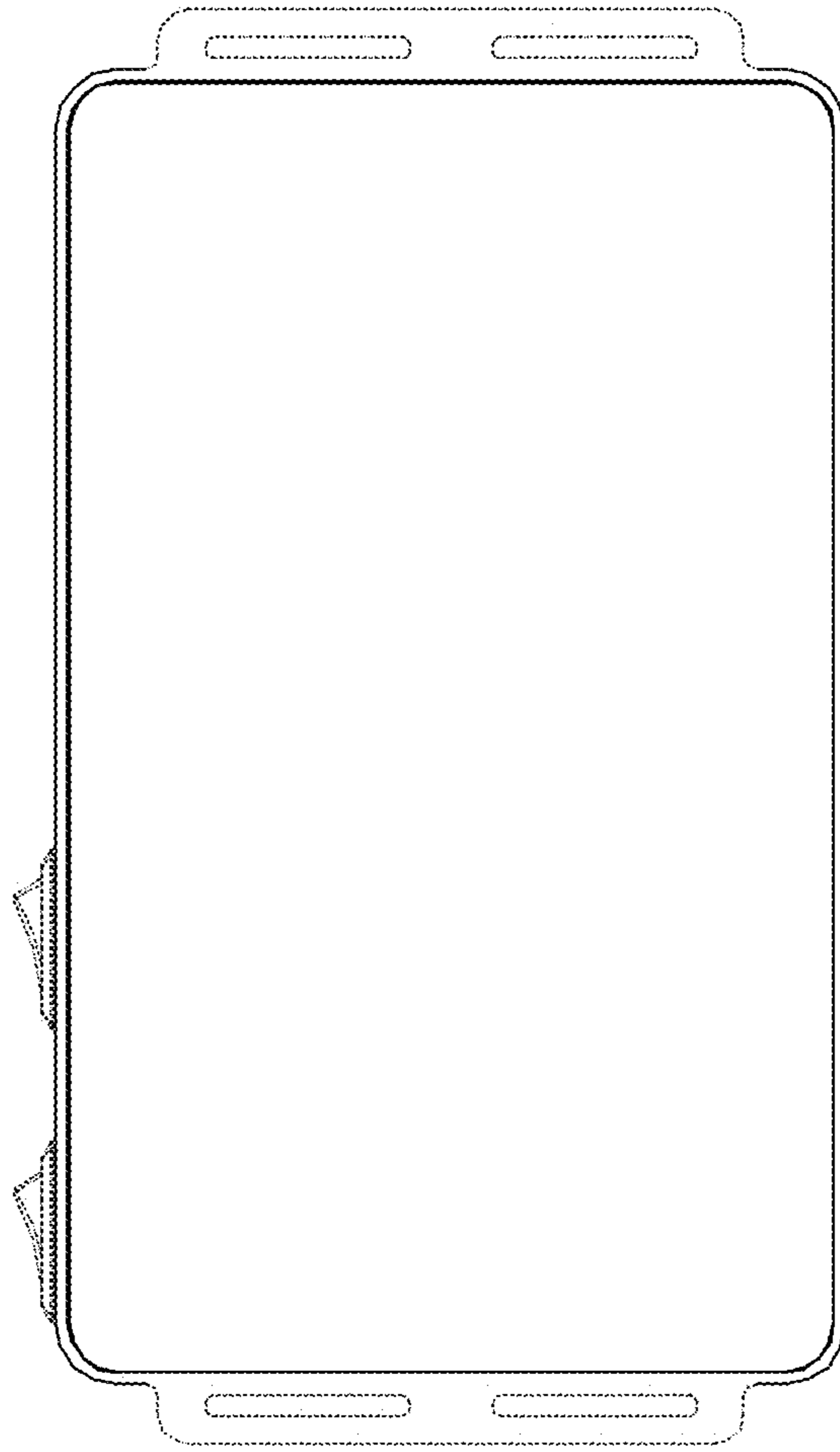


FIG. 8