



US00D947982S

(12) **United States Design Patent** (10) **Patent No.:** **US D947,982 S**
Clemons et al. (45) **Date of Patent:** **** Apr. 5, 2022**

(54) **NON-LETHAL, PERSONAL DEFENSE WEAPON**

(71) Applicant: **Hero Defense Systems, LLC**,
Henderson, NV (US)

(72) Inventors: **David S. Clemons**, Henderson, NV
(US); **Daniel R. Danowski**, Loveland,
CO (US); **Dawson Swan**, Loveland, CO
(US)

(73) Assignee: **Hero Defense Systems, LLC**,
Henderson, NV (US)

(**) Term: **15 Years**

(21) Appl. No.: **29/754,259**

(22) Filed: **Oct. 8, 2020**

(51) **LOC (13) Cl.** **22-02**

(52) **U.S. Cl.**
USPC **D22/117; D22/100**

(58) **Field of Classification Search**
USPC **D22/117, 100-101, 104**
CPC . **F41B 9/0087; F41H 5/24; F41H 9/00; F41H**
9/10; F41H 13/0012; F41H 13/025; F41H
15/04; H05C 1/00; B65D 83/384; B65D
83/388; B65D 83/205

See application file for complete search history.

(56) **References Cited**

U.S. PATENT DOCUMENTS

3,109,253	A *	11/1963	Eig	F41H 9/10
					42/1.09
D226,908	S *	5/1973	Tadlock	D22/117
D277,126	S *	1/1985	Numbers	D22/104
D376,766	S *	12/1996	Cranford	D22/101
D400,633	S *	11/1998	Chapman	D22/104
7,194,960	B2	3/2007	Vase et al.		
D585,520	S *	1/2009	Teig	D22/117
7,526,998	B2	5/2009	Vase et al.		

7,752,974	B2	7/2010	Wenaas et al.		
D688,769	S *	8/2013	Lord	D22/117
D706,383	S *	6/2014	Ben-Yair	D22/117
D805,157	S *	12/2017	Pennington	D22/117
D879,236	S *	3/2020	Arshad	D22/117
2005/0016412	A1	1/2005	Vasel et al.		
2005/0188886	A1	9/2005	Vasel et al.		
2006/0011090	A1	1/2006	Vasel et al.		
2006/0027223	A1	2/2006	Vasel et al.		
2007/0245919	A1	10/2007	Vasel et al.		
2008/0017179	A1	1/2008	Vasel et al.		
2009/0013893	A1	1/2009	Vasel et al.		

(Continued)

OTHER PUBLICATIONS

Piexon Home, "2-shot speedloader, The Piexon JPX2 Jet Protector,"
<https://www.piexon.com/en/jpx2-home/> 7 pgs., Dec. 29, 2020.

(Continued)

Primary Examiner — Catherine R Oliver-Garcia
(74) *Attorney, Agent, or Firm* — Thorpe, North &
Western LLP

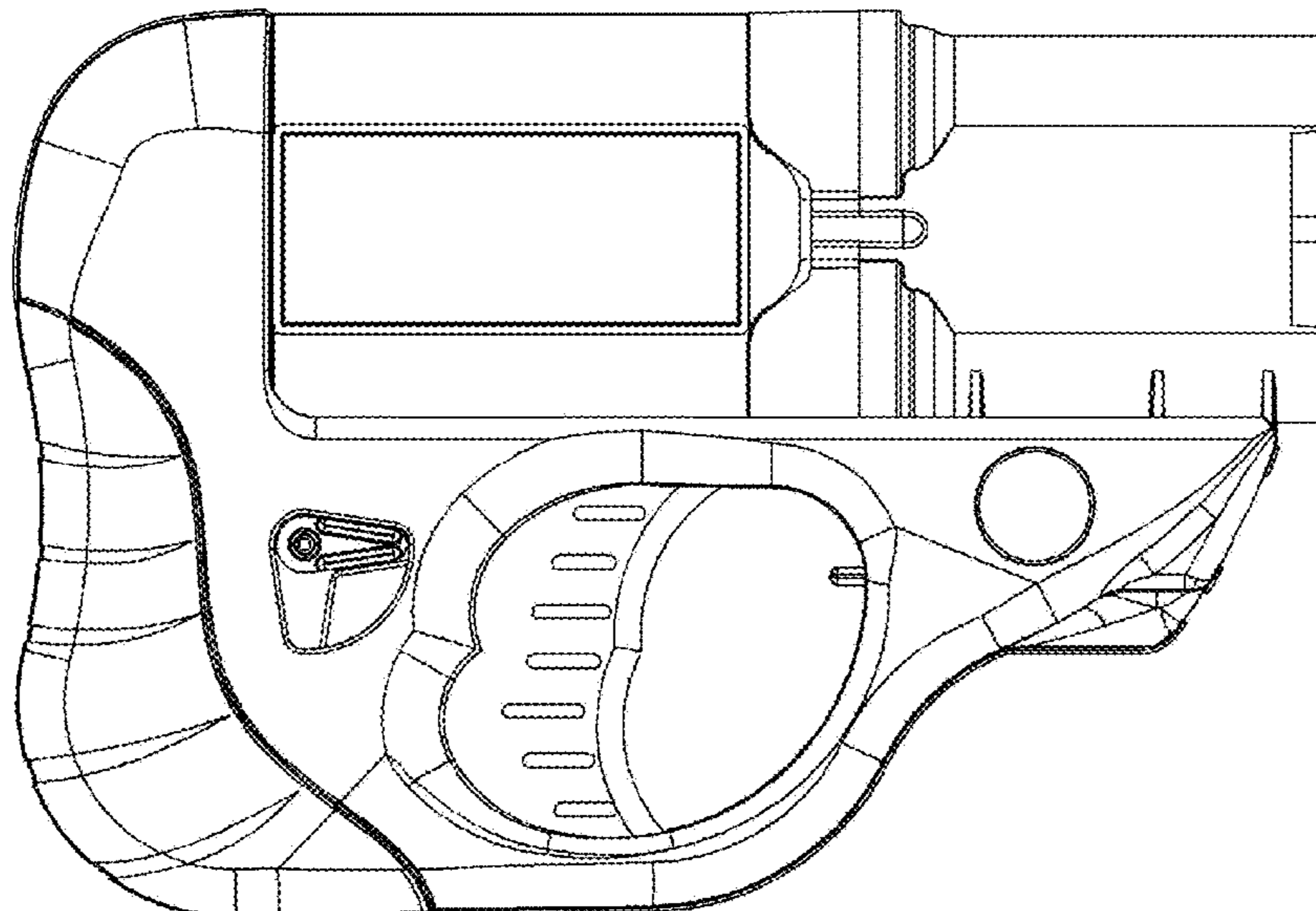
(57) **CLAIM**

The ornamental design for the non-lethal, personal defense
weapon, as shown.

DESCRIPTION

FIG. 1 is a left side elevation view of the non-lethal, personal
defense weapon in accordance with our invention;
FIG. 2 is a right side elevation view thereof;
FIG. 3 is a top plan view thereof;
FIG. 4 is a bottom plan view thereof;
FIG. 5 is a rear elevation view thereof;
FIG. 6 is a front elevation view thereof; and,
FIG. 7 is a rear perspective view thereof.
The broken lines shown in FIGS. 1, 3-5 and 7 are for
illustrative purposes only and form no part of the claimed
design.

1 Claim, 4 Drawing Sheets



(56)

References Cited

U.S. PATENT DOCUMENTS

2009/0071459 A1 3/2009 Wenaas et al.
2009/0266262 A1 10/2009 Vassel et al.
2010/0275895 A1 11/2010 Wenaas et al.

OTHER PUBLICATIONS

Byrna, "The Byrna HD (Home Defence)," <https://byrna.com/collections/byrna-hd>, 7 pgs., Dec. 29, 2020.

Sabre, "Aim and Fire Pepper Gel with Trigger and Grip Deployment System," <https://www.sabred.com/pepper-spray/aim-and-fire-pepper-gel-trigger-and-grip-deployment-system> 3 pgs., Dec. 29, 2020.

* cited by examiner

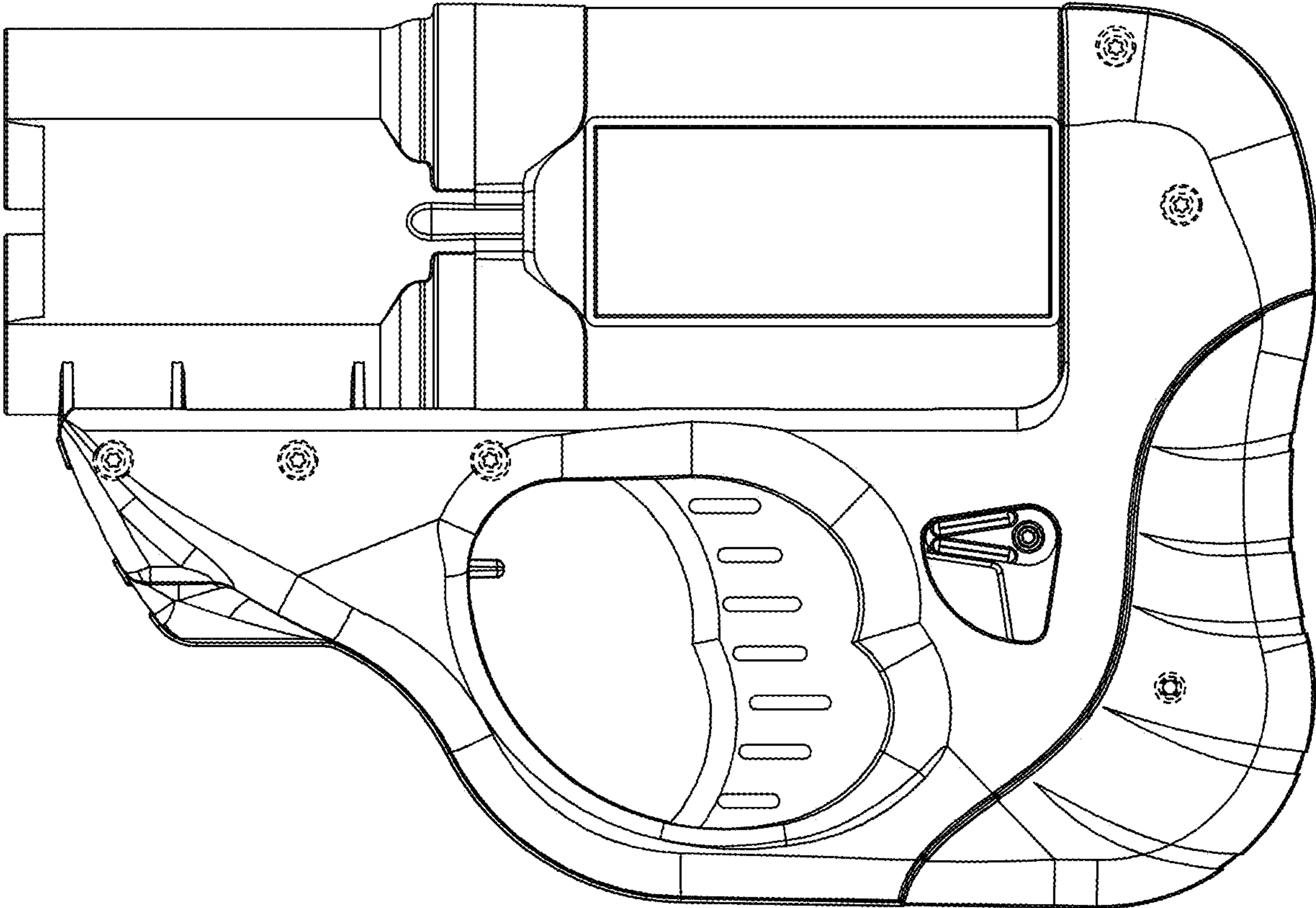


Fig. 1

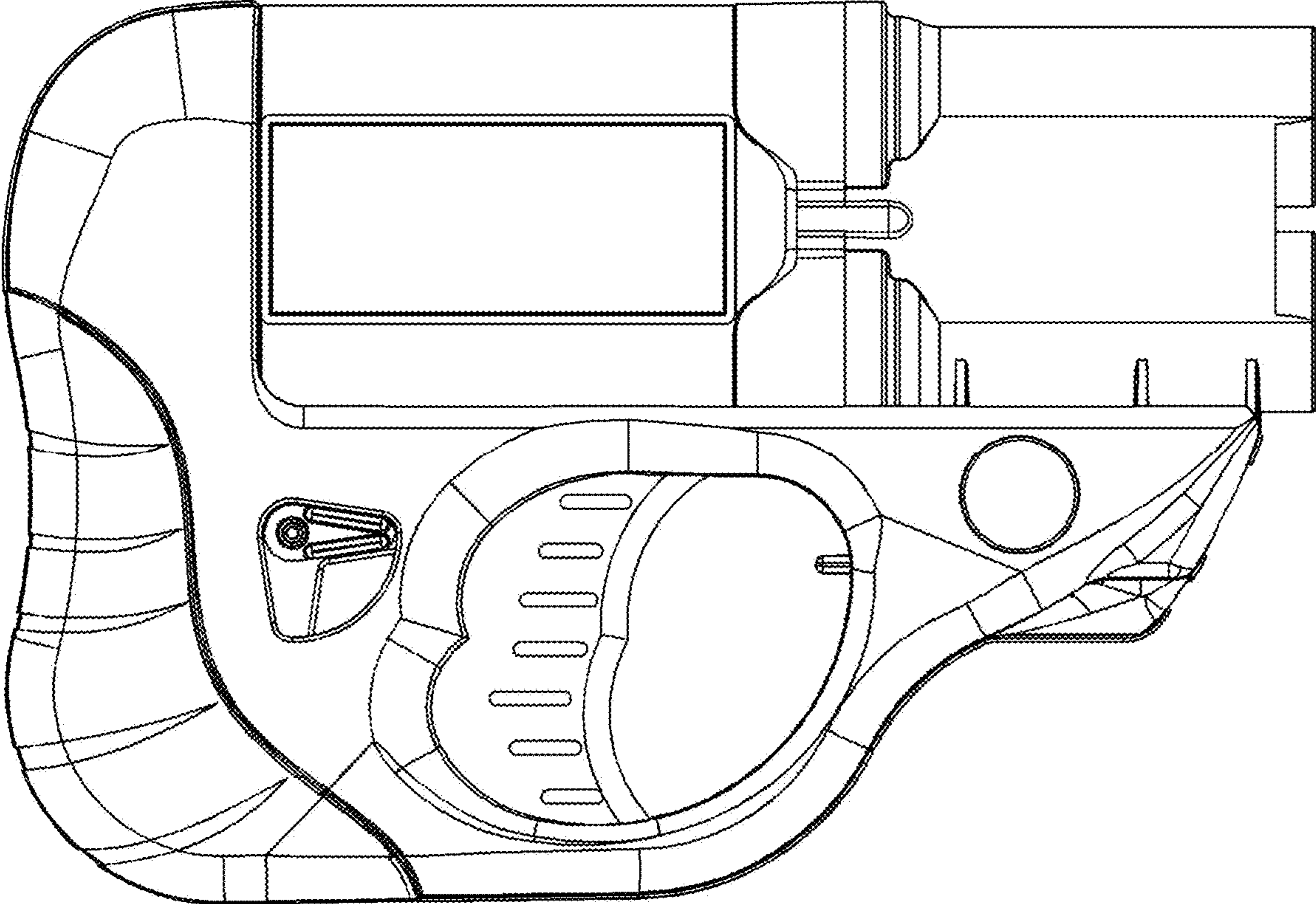


Fig. 2

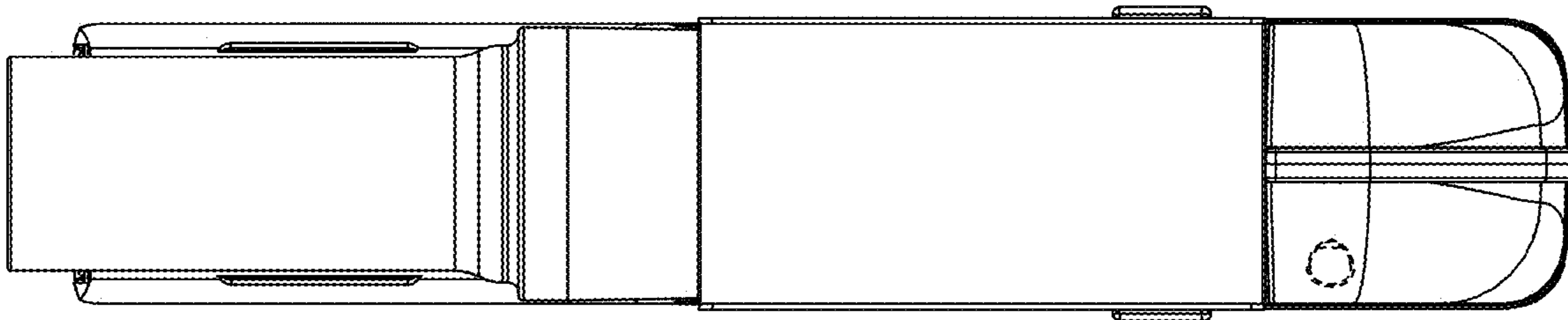


Fig. 3

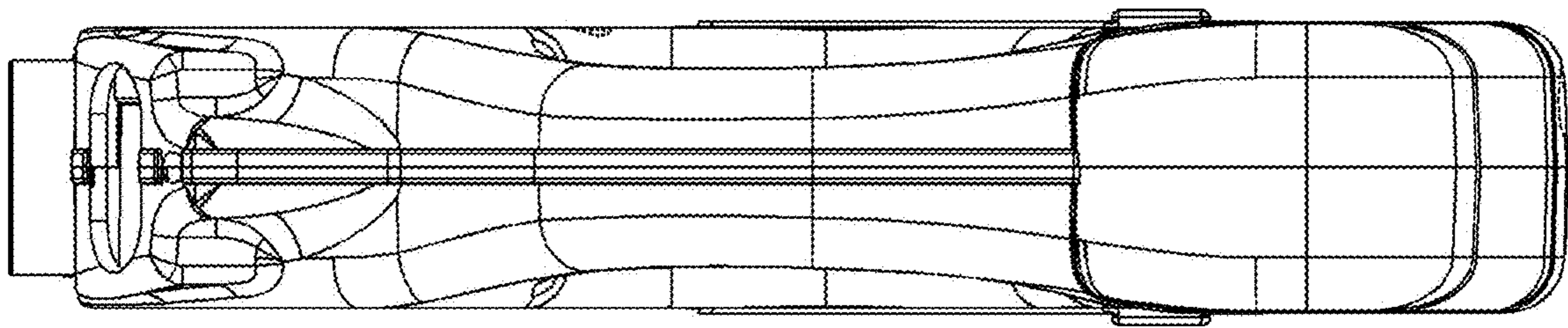


Fig. 4

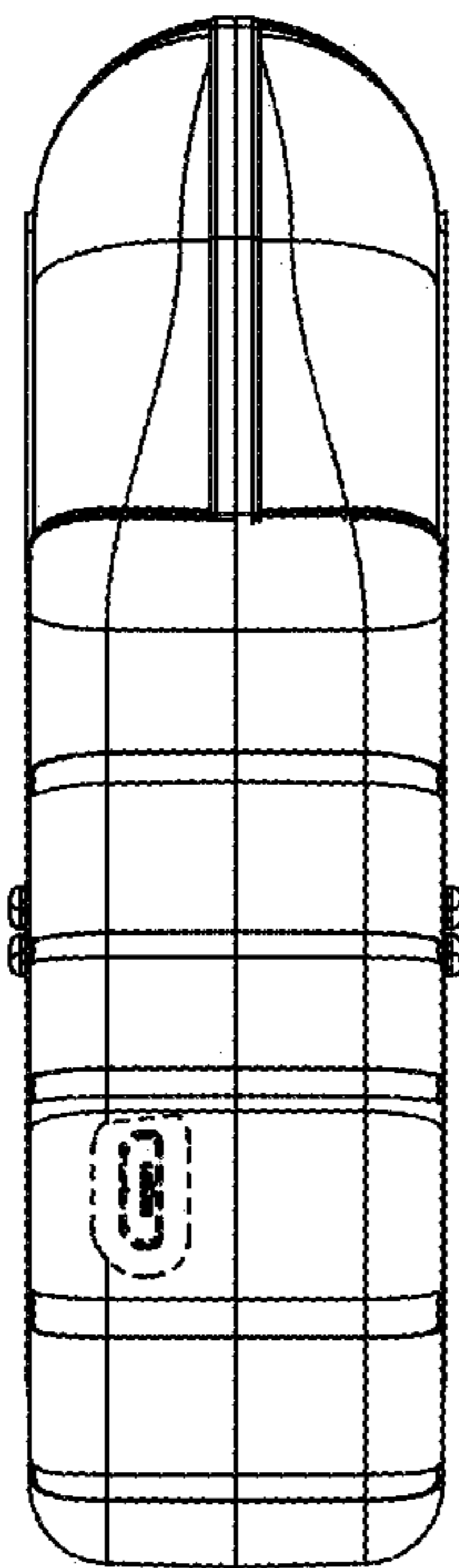


Fig. 5

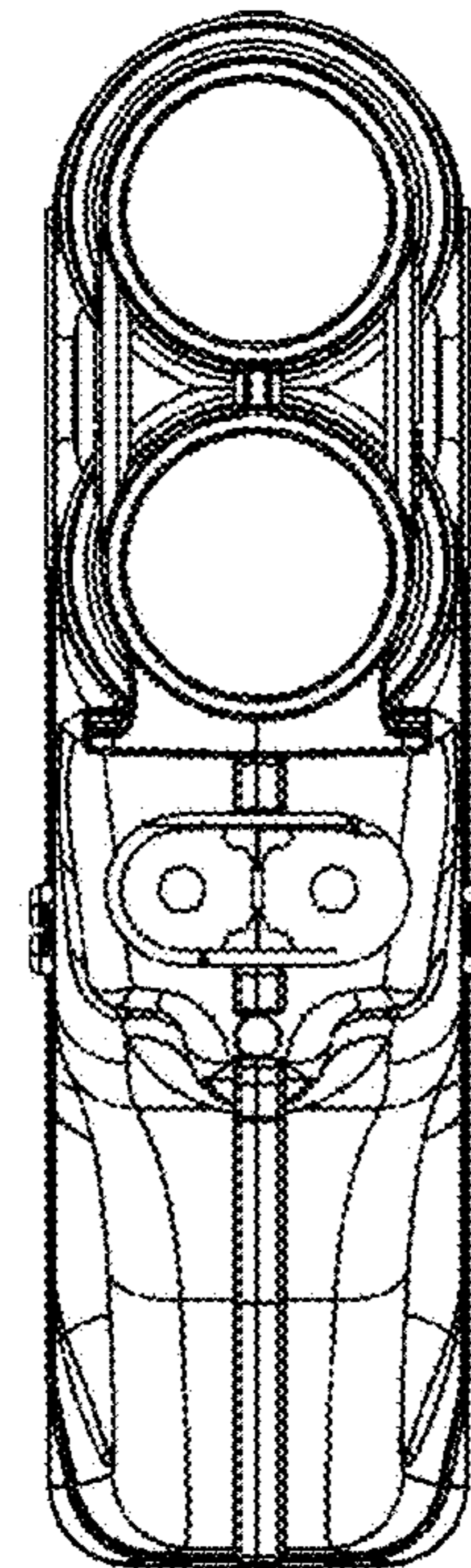


Fig. 6

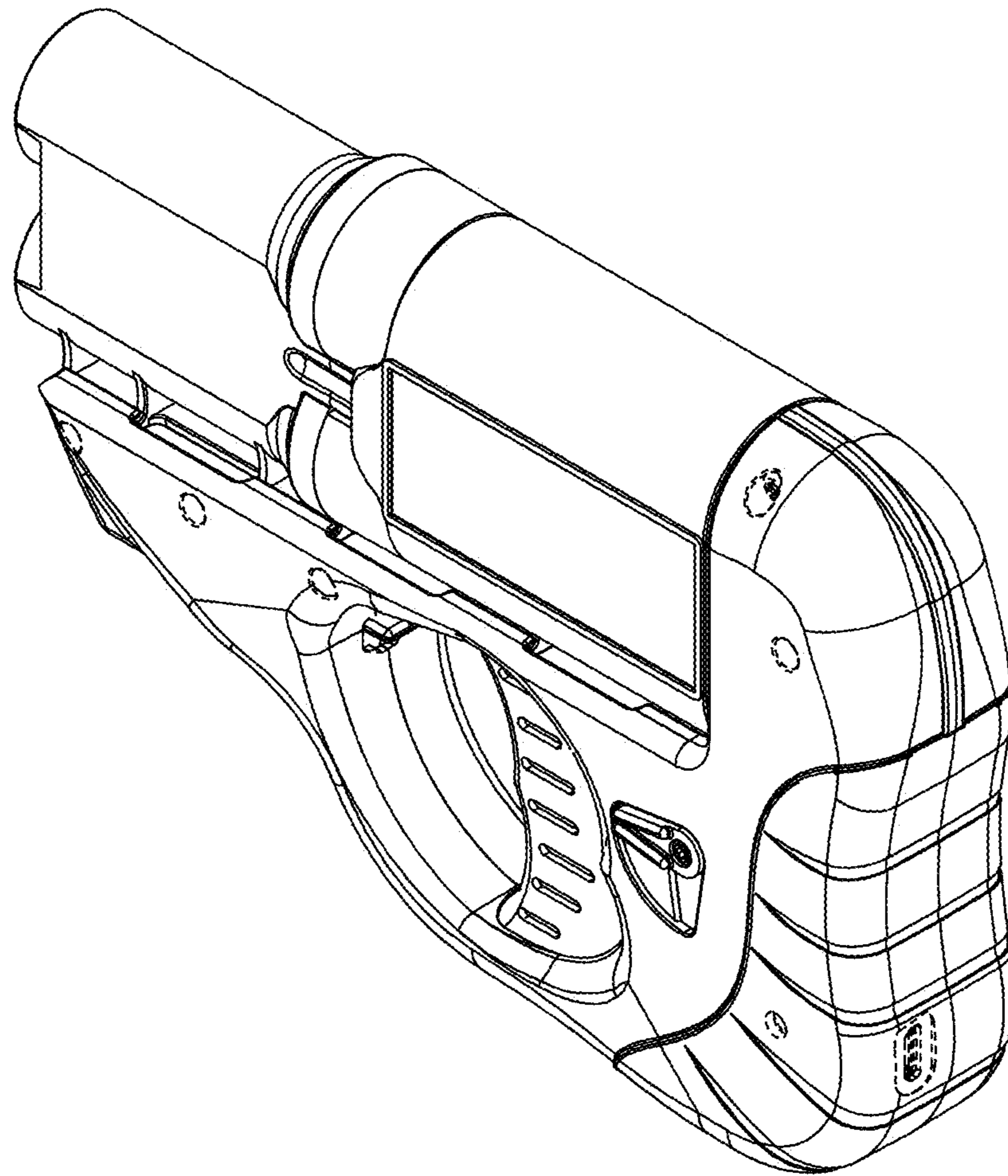


Fig. 7