



US00D947979S

(12) **United States Design Patent** (10) **Patent No.:** **US D947,979 S**
Cabahug et al. (45) **Date of Patent:** **** Apr. 5, 2022**

(54) **ELECTRICAL CONTACT STRIP FOR A POWERED RAIL**

FOREIGN PATENT DOCUMENTS

(71) Applicant: **T-Worx Holdings, LLC**, Sterling, VA (US)

IL 64932 * 5/2021
IL 66838 * 5/2021

(Continued)

(72) Inventors: **Eric F. Cabahug**, Fairfax, VA (US);
Tyler J. Miller, Dickerson, MD (US);
Tho N. Ngyuen, Ashburn, VA (US);
Benjamin F. Feldman, Reston, VA (US)

OTHER PUBLICATIONS

Eric B. "The T-Worx Intelligent Rail Platform . . ." TheFirearmBlog.com posted: Feb. 14, 2019 [visited: Aug. 18, 2021] URL: <https://www.thefirearmblog.com/blog/2019/02/14/the-t-worx-intelligent-rail-platform-approved-after-u-s-army-tests-some-thoughts/> (Year: 2019).*

(Continued)

(73) Assignee: **T-Worx Holdings, LLC**, Sterling, VA (US)

(**) Term: **15 Years**

Primary Examiner — Barbara Fox

Assistant Examiner — Jessie Anne E Touart

(21) Appl. No.: **29/709,037**

(74) *Attorney, Agent, or Firm* — Merchant & Gould P.C.

(22) Filed: **Oct. 10, 2019**

(51) **LOC (13) Cl.** **22-01**

(52) **U.S. Cl.**
USPC **D22/108**

(58) **Field of Classification Search**
USPC D22/100, 103, 108, 109, 110, 199;
D21/572, 573, 575
CPC F41A 21/325; F41C 23/04; F41C 23/06;
F41C 23/08; F41C 23/10; F41C 23/12;
F41C 23/14; F41C 23/16; F41C 23/18;
F41C 23/20; F41C 23/22; F41C 7/02;
F41C 7/04; F41C 7/06; F41C 7/11; F41C
7/12; F41C 27/00; F41C 27/06
See application file for complete search history.

(57) **CLAIM**

The ornamental design for an electrical contact strip for a powered rail, as shown and described.

DESCRIPTION

FIG. 1 is an isometric view of the electrical contact strip for a powered rail shown on a firearm;
FIG. 2 is a right isometric view thereof separate from the firearm;
FIG. 3 is a left isometric view thereof;
FIG. 4 is a right side view thereof;
FIG. 5 is a left side view thereof;
FIG. 6 is a top view thereof;
FIG. 7 is a bottom view thereof;
FIG. 8 is a front view of thereof; and,
FIG. 9 is a rear view of thereof.
The evenly spaced dashed line showing of a firearm represents an exemplary environment and forms no part of the claimed design.

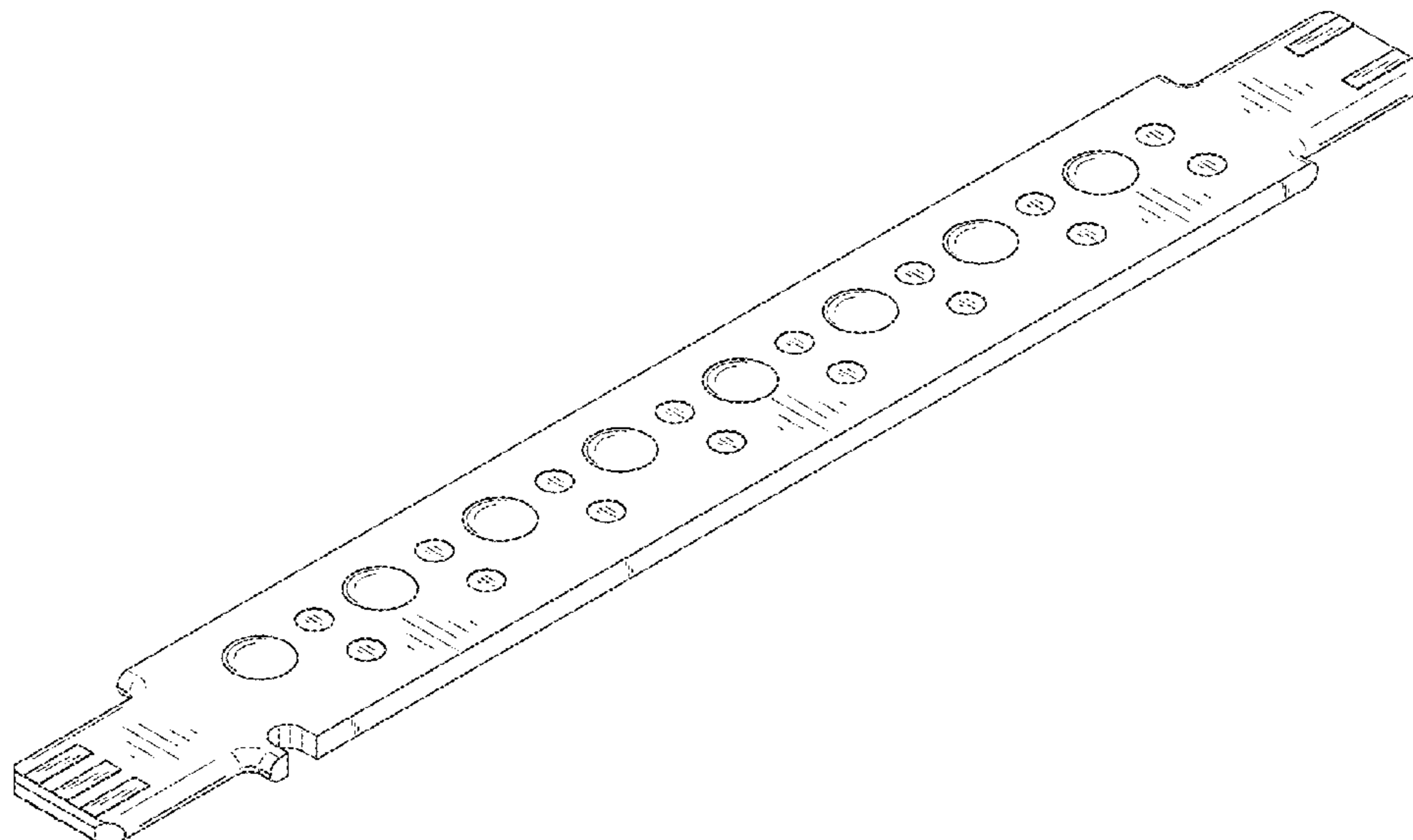
(56) **References Cited**

U.S. PATENT DOCUMENTS

3,212,051 A * 10/1965 Clewes H01R 9/2408
439/717
6,925,744 B2 * 8/2005 Kincel F41C 23/22
42/71.01

(Continued)

1 Claim, 5 Drawing Sheets



(56)

References Cited

U.S. PATENT DOCUMENTS

8,146,282 B2 * 4/2012 Cabahug F41C 27/00
42/85
8,151,505 B2 * 4/2012 Thompson F41G 11/003
42/84
8,322,064 B2 * 12/2012 Cabahug F41C 27/00
42/85
8,397,418 B2 * 3/2013 Cabahug F41C 23/22
42/85
8,443,539 B2 * 5/2013 Cabahug F41C 27/00
42/85
8,448,368 B2 * 5/2013 Cabahug F41G 11/003
42/85
8,490,313 B2 * 7/2013 Frascati F41G 11/003
42/90
8,516,731 B2 * 8/2013 Cabahug F41G 11/003
42/84
D707,782 S * 6/2014 Burnham D22/108
9,285,185 B2 * 3/2016 Cabahug F41C 27/00

9,506,708 B2 * 11/2016 Peterson F41C 23/04
10,458,754 B2 * 10/2019 Miller F41C 23/22
10,976,131 B1 * 4/2021 Cabahug F41C 23/22
2016/0298926 A1 * 10/2016 Jen F41C 27/00
2020/0124383 A1 * 4/2020 Miller F41G 11/003

FOREIGN PATENT DOCUMENTS

IL 66839 * 5/2021
IL 66840 * 5/2021
IL 66841 * 5/2021

OTHER PUBLICATIONS

Mayfield, Mandy and Connie Lee "Intelligent-Rail' Software Destined for Next-Gen Squad Weapon" nationaldefensemagazine.org posted: Jul. 17, 2019 [site visited Aug. 18, 2021] URL: <https://www.nationaldefensemagazine.org/articles/2019/7/17/intelligent-rail-software-destined-for-next-gen-squad-weapon> (Year: 2019).*

* cited by examiner

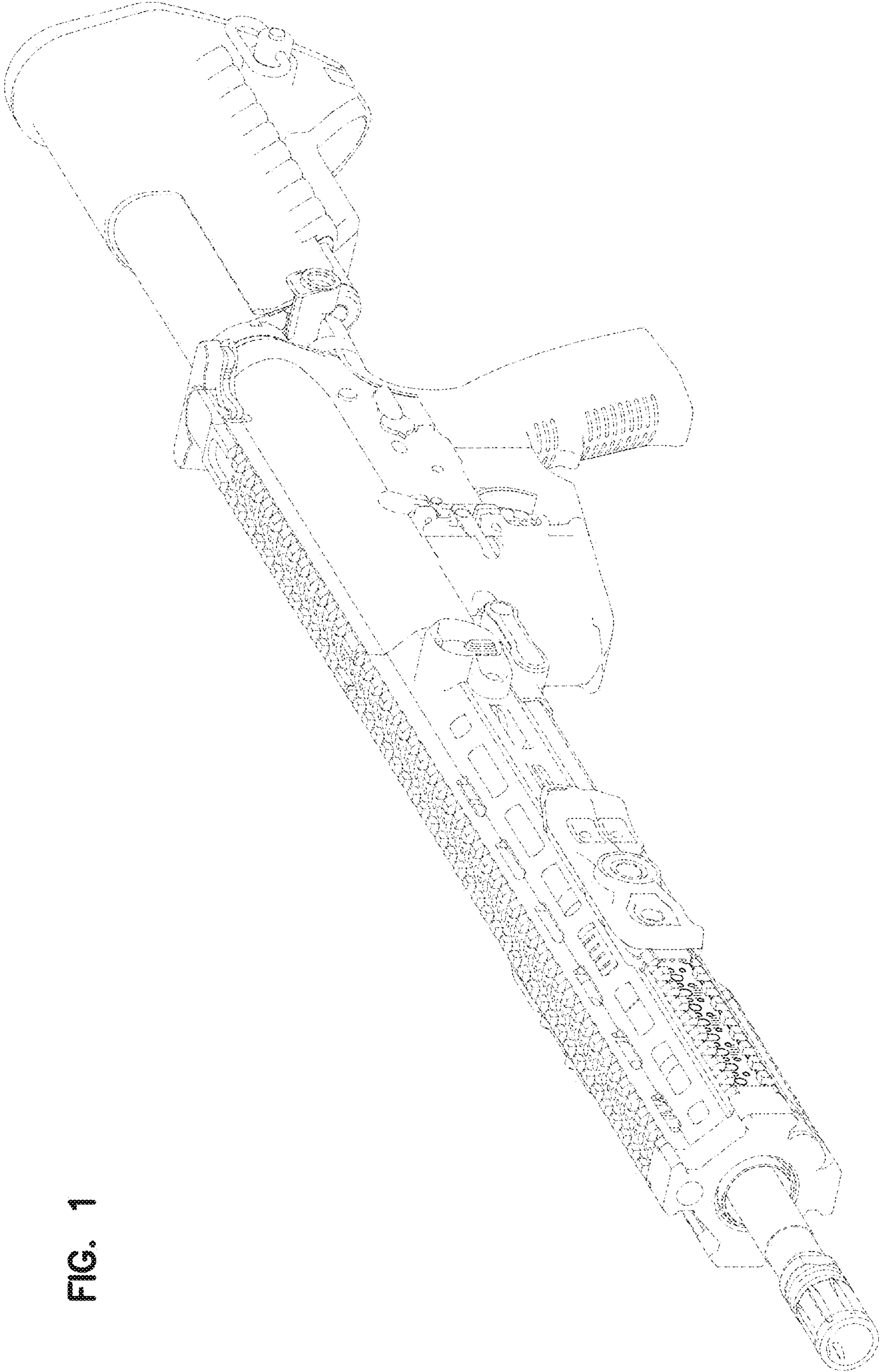


FIG. 1

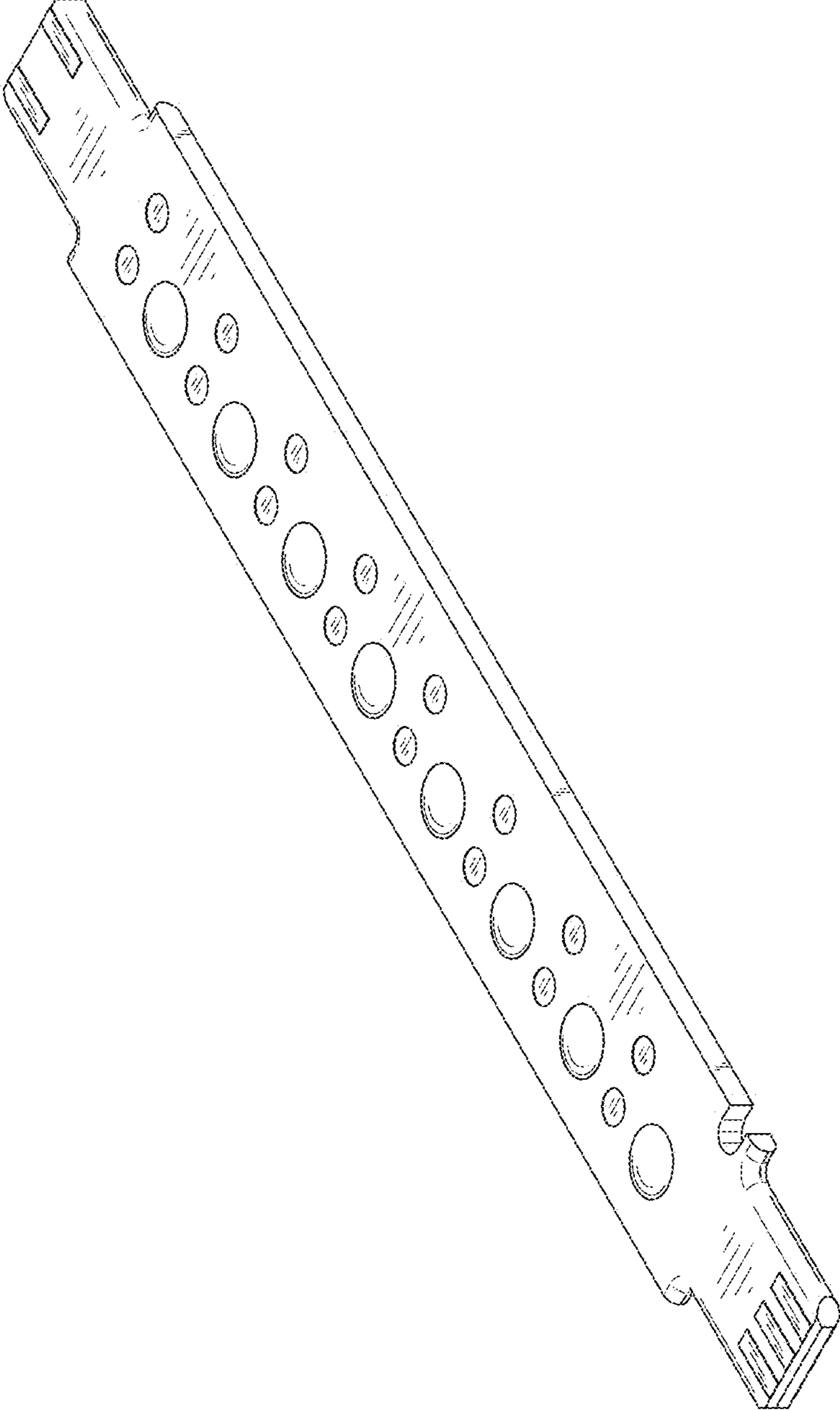


FIG. 2

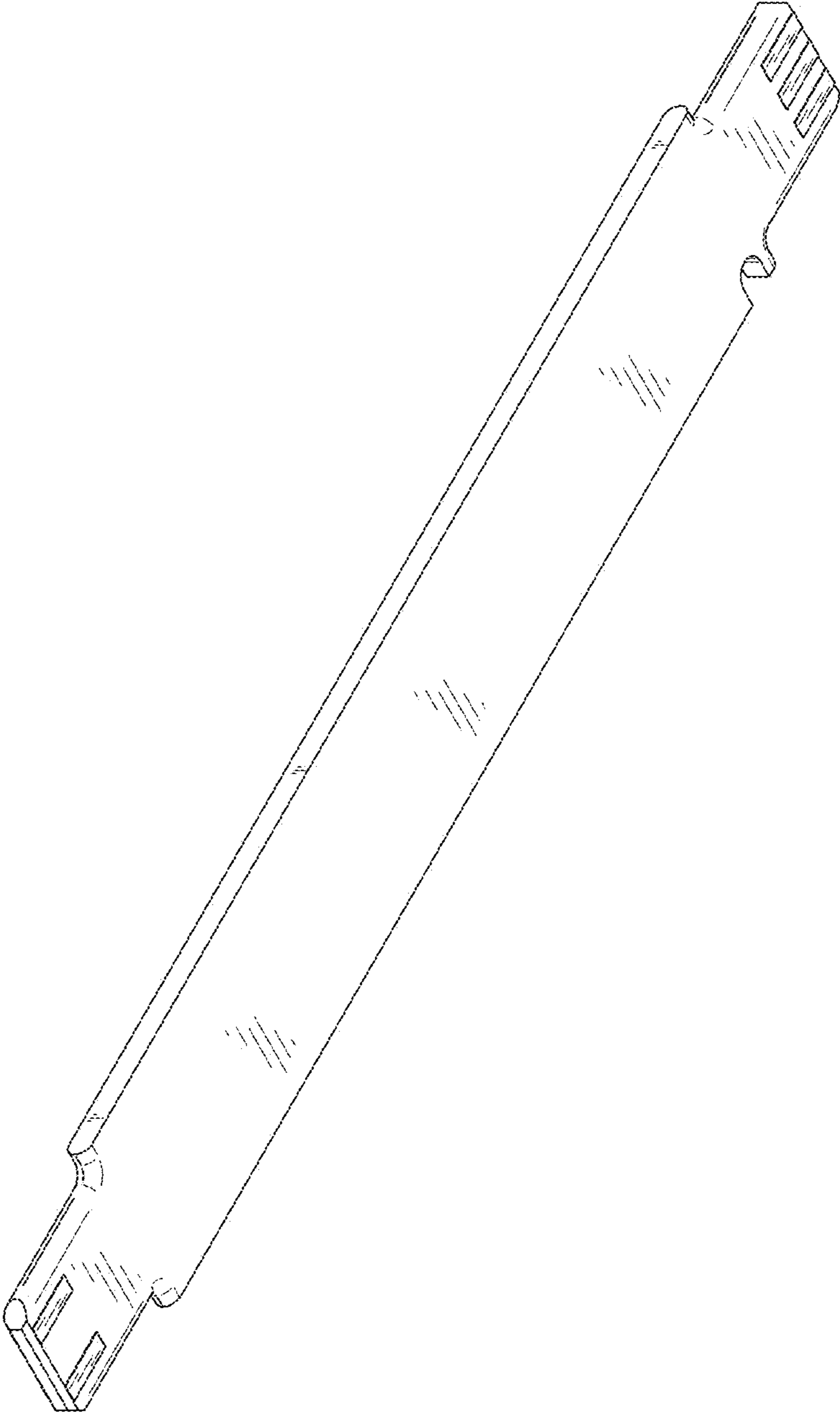


FIG. 3

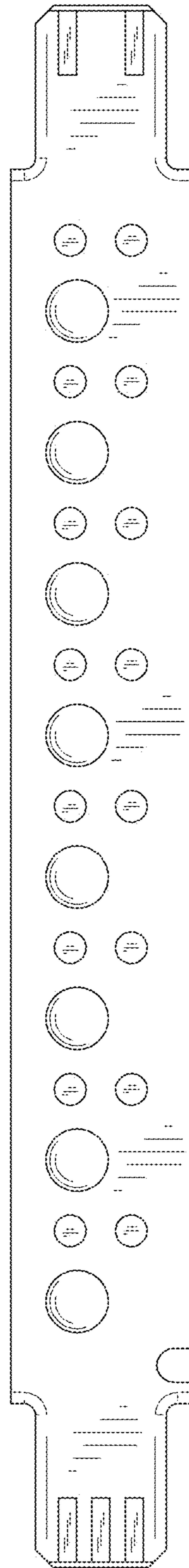


FIG. 4

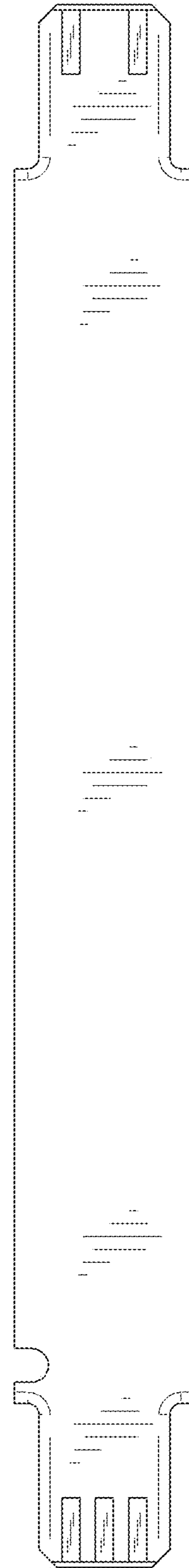


FIG. 5

FIG. 6

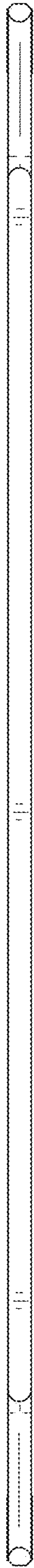


FIG. 7



FIG. 8

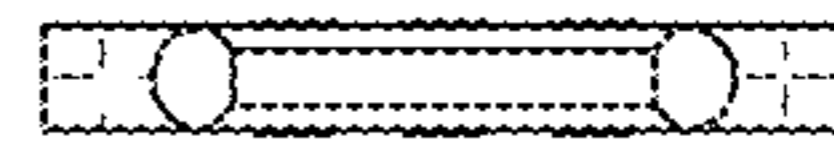


FIG. 9

