



US00D947977S

(12) **United States Design Patent** (10) **Patent No.:** **US D947,977 S**
Graber et al. (45) **Date of Patent:** **** Apr. 5, 2022**

(54) **SINGLE SHOT PROTECTION DEVICE**

(71) Applicant: **Wattre, Inc.**, Woodburn, IN (US)
(72) Inventors: **Curtis E. Graber**, Woodburn, IN (US);
Jonathan S. Willson, Cecil, OH (US)
(73) Assignee: **Wattre, Inc.**, Woodburn, IN (US)
(**) Term: **15 Years**

(21) Appl. No.: **29/712,841**

(22) Filed: **Nov. 12, 2019**

(51) **LOC (13) Cl.** **22-01**

(52) **U.S. Cl.**
USPC **D22/100**

(58) **Field of Classification Search**
USPC D22/100, 101, 103, 104, 105, 117, 119;
D21/567, 570, 573, 574, 575; D19/123,
D19/170, 174, 177; D26/38
CPC F41C 3/00; F41C 3/04; F41C 3/14; F41C
3/16; F41C 7/00

See application file for complete search history.

(56) **References Cited**

U.S. PATENT DOCUMENTS

D255,139 S *	5/1980	Smith	D22/117
D328,918 S *	8/1992	Buda	D19/170
D356,598 S *	3/1995	Thompson	D19/170
D376,766 S *	12/1996	Cranford	D21/572
D392,712 S *	3/1998	Hammans	D22/100
D539,866 S *	4/2007	Rhee	D22/117
D624,678 S *	9/2010	Kim	D26/49
D651,647 S *	1/2012	Chu	D19/177
D748,309 S *	1/2016	Cheng	D26/38
D750,305 S *	2/2016	Sheikh	D26/38
D783,117 S *	4/2017	Gilbarte	D22/117
D783,118 S *	4/2017	Fan	D22/117
D829,297 S *	9/2018	Sheikh	D22/117
D855,699 S *	8/2019	Xiong	D19/123
2016/0361943 A1 *	12/2016	Rogers	F41H 9/10

OTHER PUBLICATIONS

Penshot, visited: Sep. 8, 2021 URL: <https://www.stickshotusa.com/>
(Year: 2021).*
UZI Tactical Pen, first available: Jan. 13, 2010 [visited: Sep. 8, 2021], URL: <https://www.amazon.com/Tactical-UZI-TACPEN1-GM-Aircraft-Aluminum-Ballpoint/dp/B003468CM0> (Year: 2010).*
Stinger Pen, auction date: Feb. 19, 2017 [visited Sep. 8, 2021], URL: <https://www.rockislandauction.com/detail/1028/7002/one-stinger-pen-pistol-and-four-tear-gas-guns> (Year: 2017).*

* cited by examiner

Primary Examiner — Marissa J Cash

Assistant Examiner — Jessie Anne E Touart

(74) *Attorney, Agent, or Firm* — Taylor IP, P.C.

(57) **CLAIM**

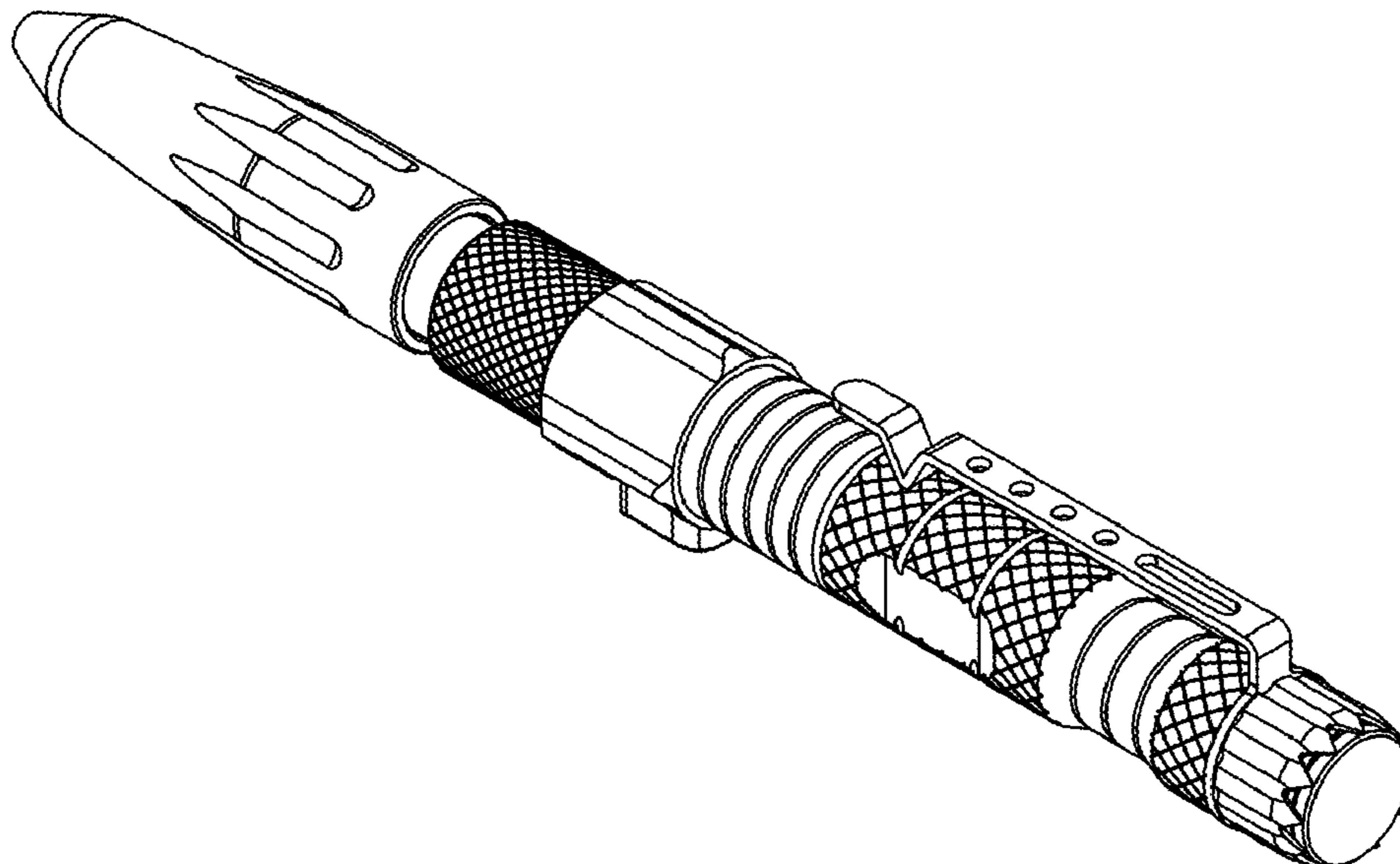
The ornamental design for a single shot protection device, as shown and described.

DESCRIPTION

FIG. 1 is a front perspective view of a single shot protection device showing my new design;
FIG. 2 is a front view thereof;
FIG. 3 is a bottom view thereof;
FIG. 4 is a top view thereof;
FIG. 5 is a back view thereof;
FIG. 6 is an end view thereof;
FIG. 7 is an opposite end view thereof; and,
FIG. 8 is a front perspective view of the single shot protection device, shown in FIG. 1, in an alternate configuration of use.

The broken lines in the drawings depict portions of the single shot protection device that form no part of the claimed design.

1 Claim, 8 Drawing Sheets



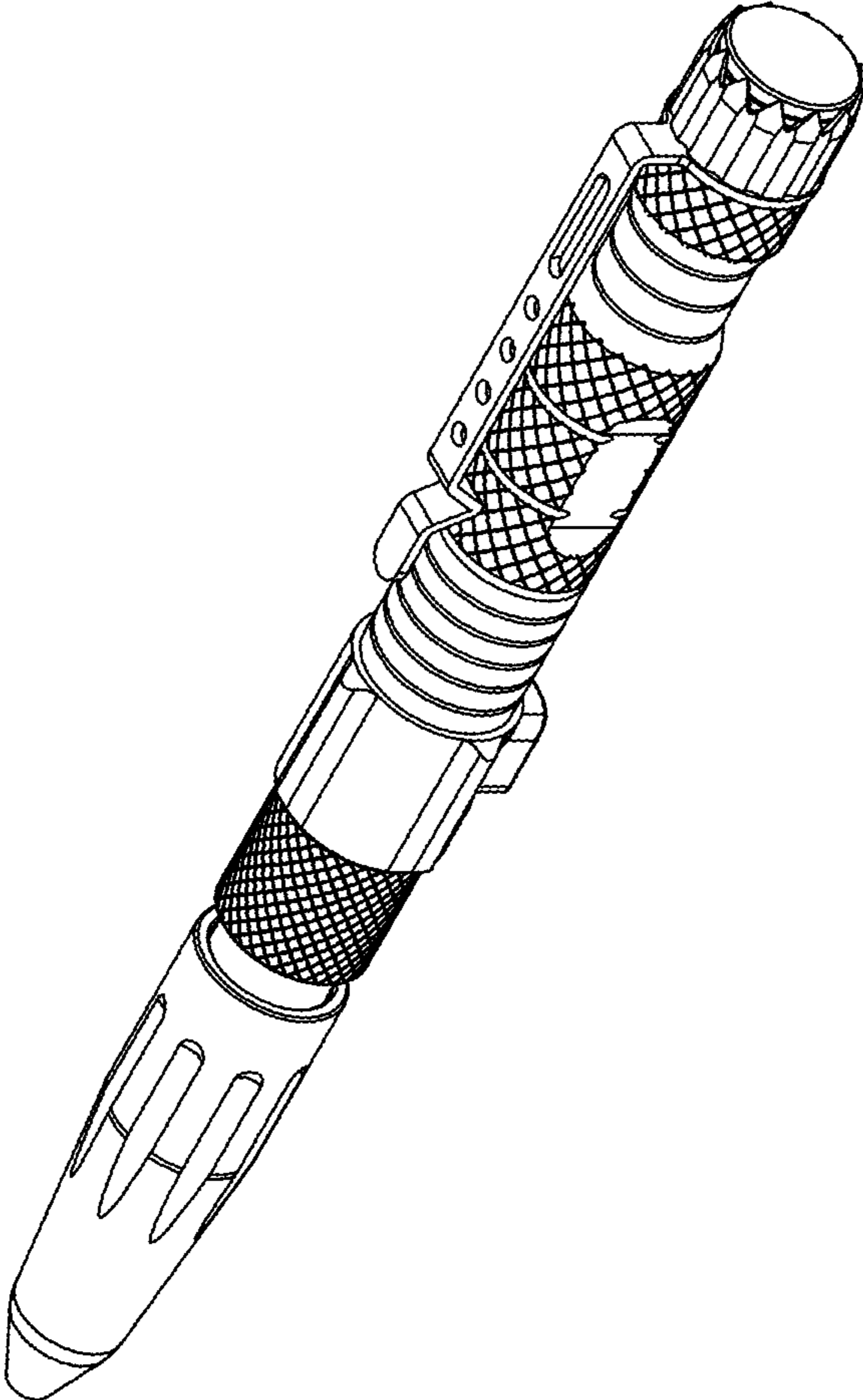


Fig. 1

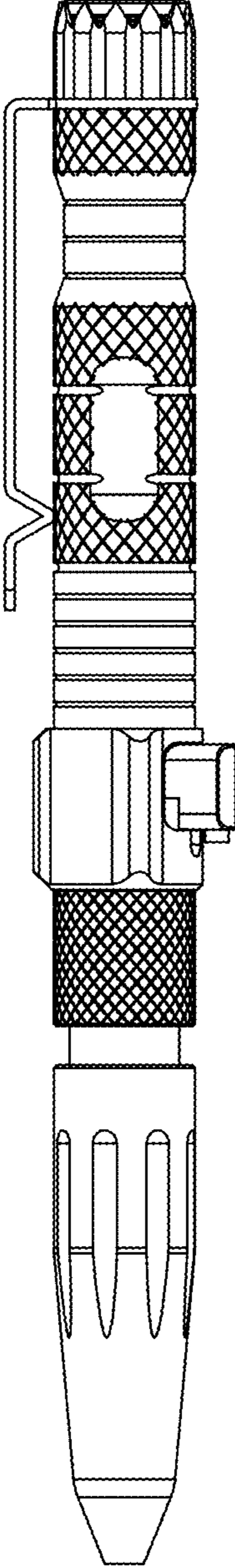


Fig. 2

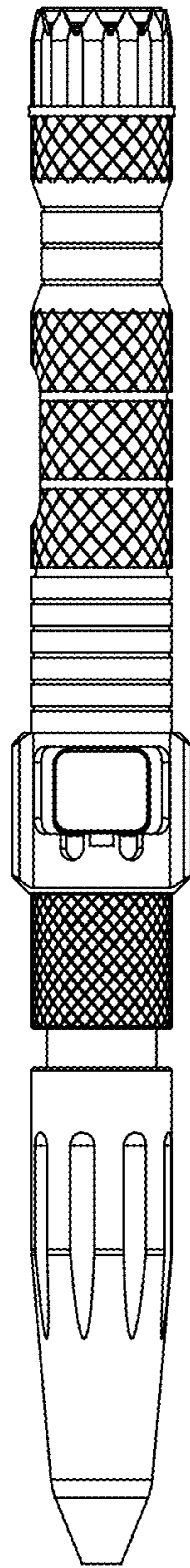


Fig. 3

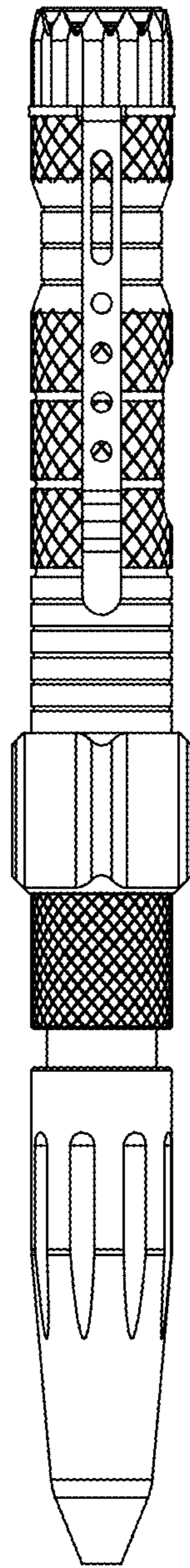


Fig. 4

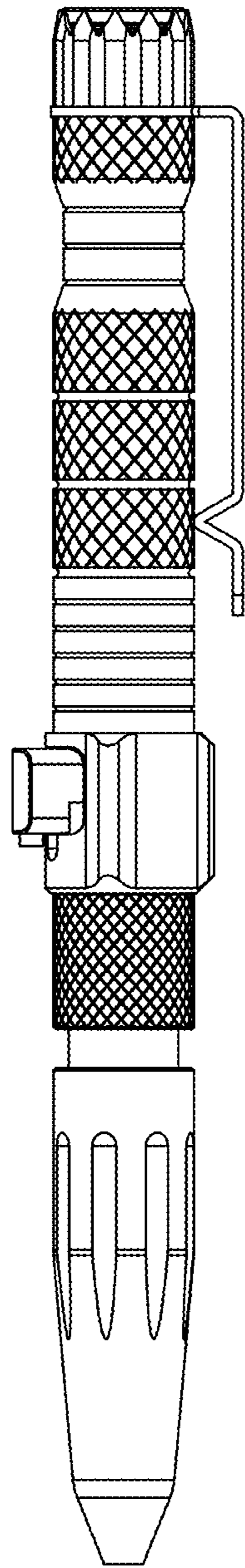


Fig. 5

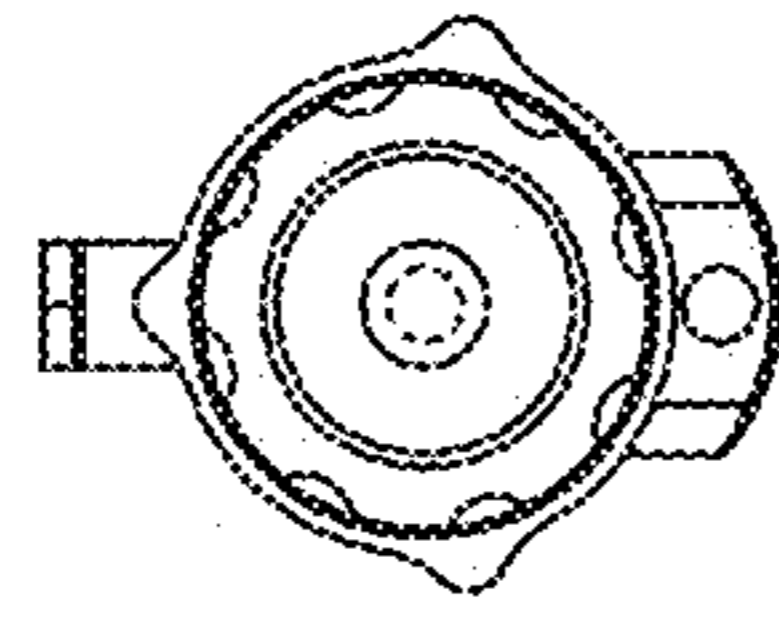


Fig. 6

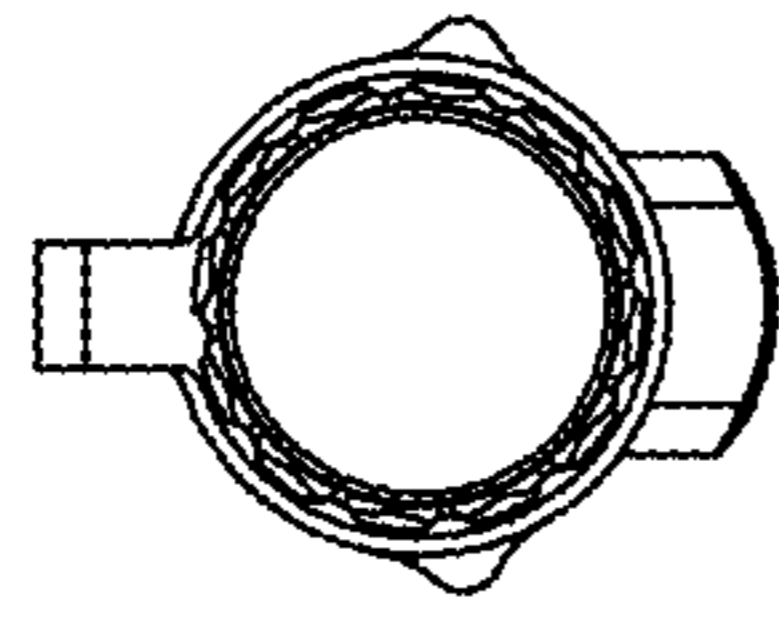


Fig. 7

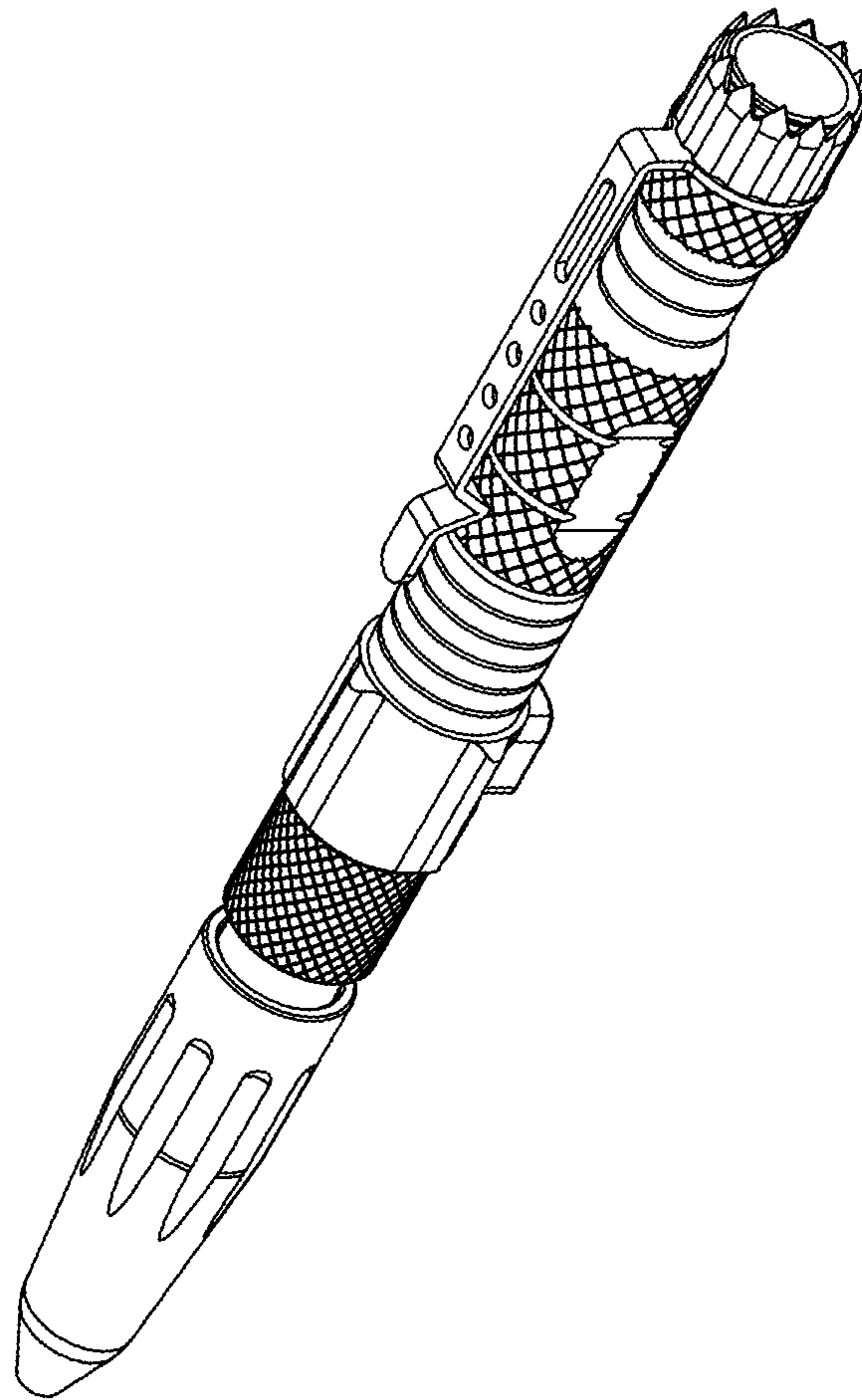


Fig. 8