

US00D947976S

(12) **United States Design Patent**
Chen

(10) **Patent No.:** **US D947,976 S**

(45) **Date of Patent:** **** Apr. 5, 2022**

(54) **BRACE HEAD**

FOREIGN PATENT DOCUMENTS

(71) Applicant: **NINGBO BEIDOU OUTDOOR PRODUCTS CO., LTD.**, Zhejiang (CN)

CN	303586272 S	2/2016
CN	303629077 S	3/2016
CN	304455514 S	1/2018

(72) Inventor: **Ting Chen**, Zhejiang (CN)

* cited by examiner

(73) Assignee: **Ningbo Beidou Outdoor Products Co., Ltd.**, Ningbo (CN)

Primary Examiner — Samantha Q Lawrence

(**) Term: **15 Years**

(57) **CLAIM**

(21) Appl. No.: **29/773,816**

The ornamental design for a brace head, as shown and described.

(22) Filed: **Mar. 11, 2021**

(30) **Foreign Application Priority Data**

Dec. 29, 2020 (CN) 202030813638.3

(51) **LOC (13) Cl.** **21-04**

(52) **U.S. Cl.**
USPC **D21/840**

(58) **Field of Classification Search**
USPC D25/125, 126, 127, 128, 129, 130, 131, D25/132, 133, 134, 135, 136; D21/840; D8/1, 88, 388, 391; D30/154
CPC E04H 15/62; A01K 29/00
See application file for complete search history.

(56) **References Cited**

U.S. PATENT DOCUMENTS

D373,835 S	*	9/1996	Reichard	D25/134
D564,679 S	*	3/2008	Lax	D25/134
D868,396 S	*	11/2019	Gilmer	D30/154
D911,632 S	*	2/2021	Gilmer	D30/154

DESCRIPTION

FIG. 1 is a perspective view of a brace head showing our new design;

FIG. 2 is a front view thereof;

FIG. 3 is an enlarged top view thereof;

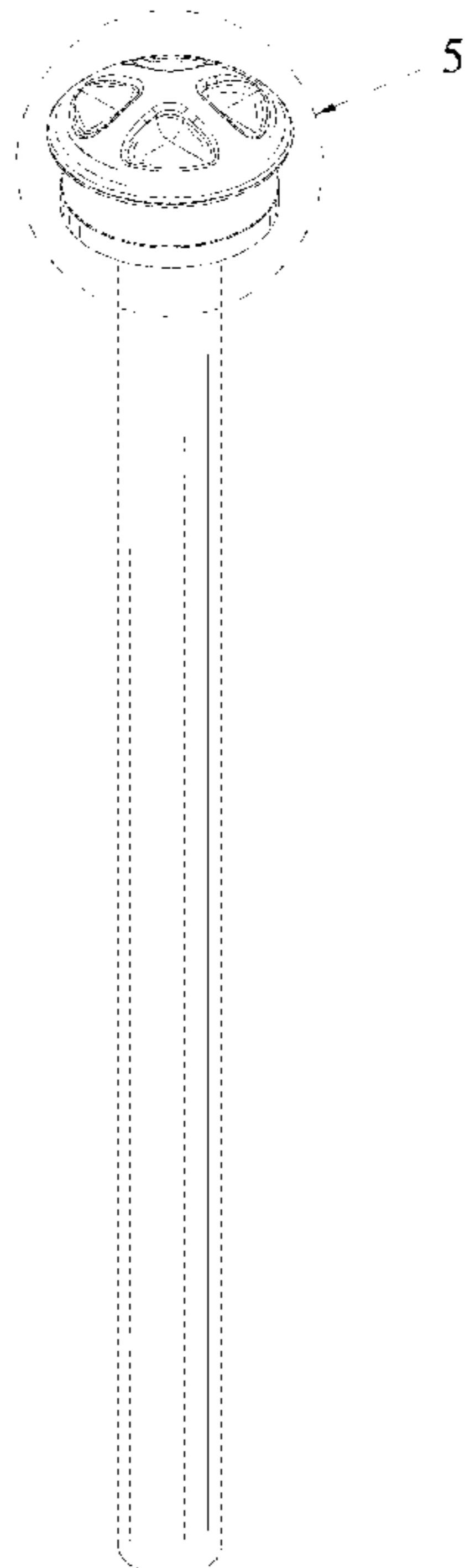
FIG. 4 is an enlarged bottom view thereof; and,

FIG. 5 is a partially enlarged view of FIG. 1.

The back view, the left view, the right view and the front view are the same, so the back view, the left view and the right view are omitted.

The broken lines shown on the drawings depict portions of the brace head that form no part of the claimed design.

1 Claim, 5 Drawing Sheets



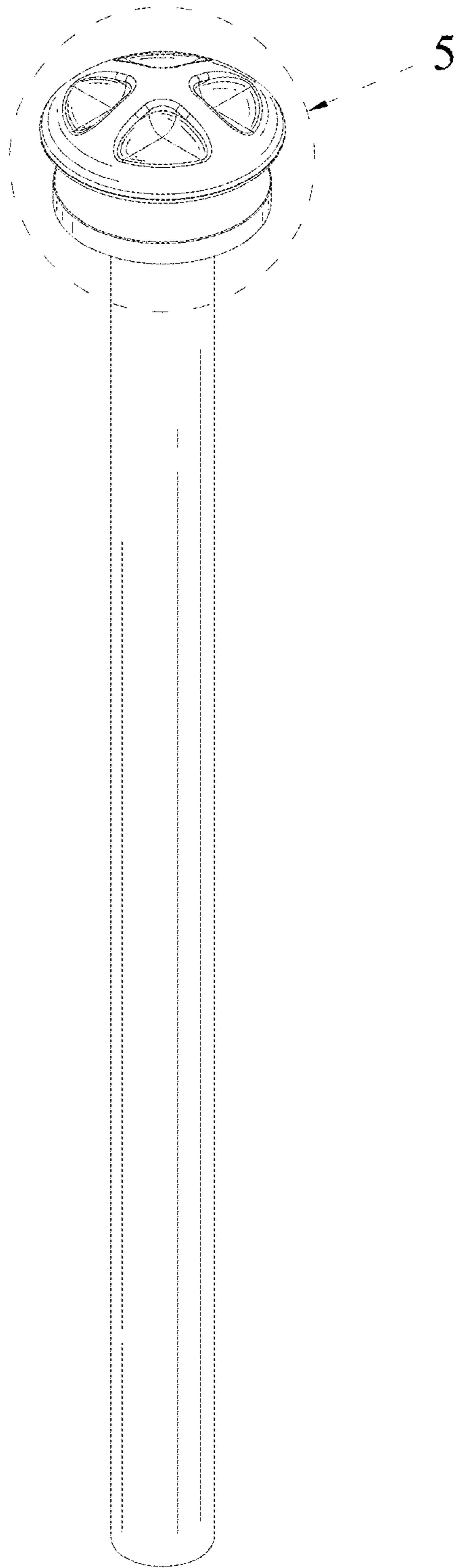


FIG. 1

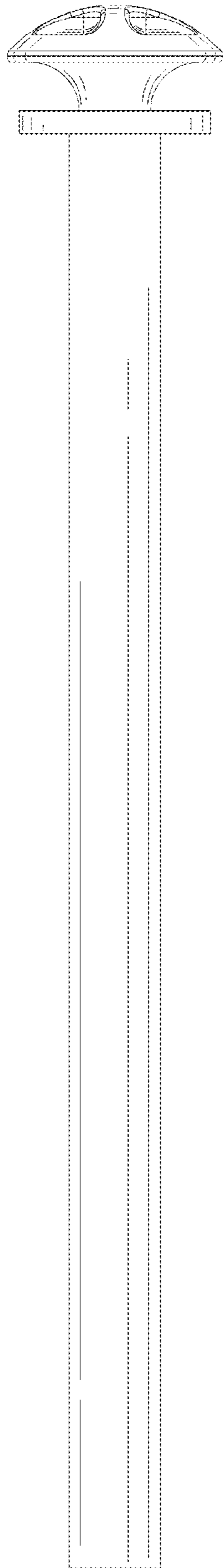


FIG. 2

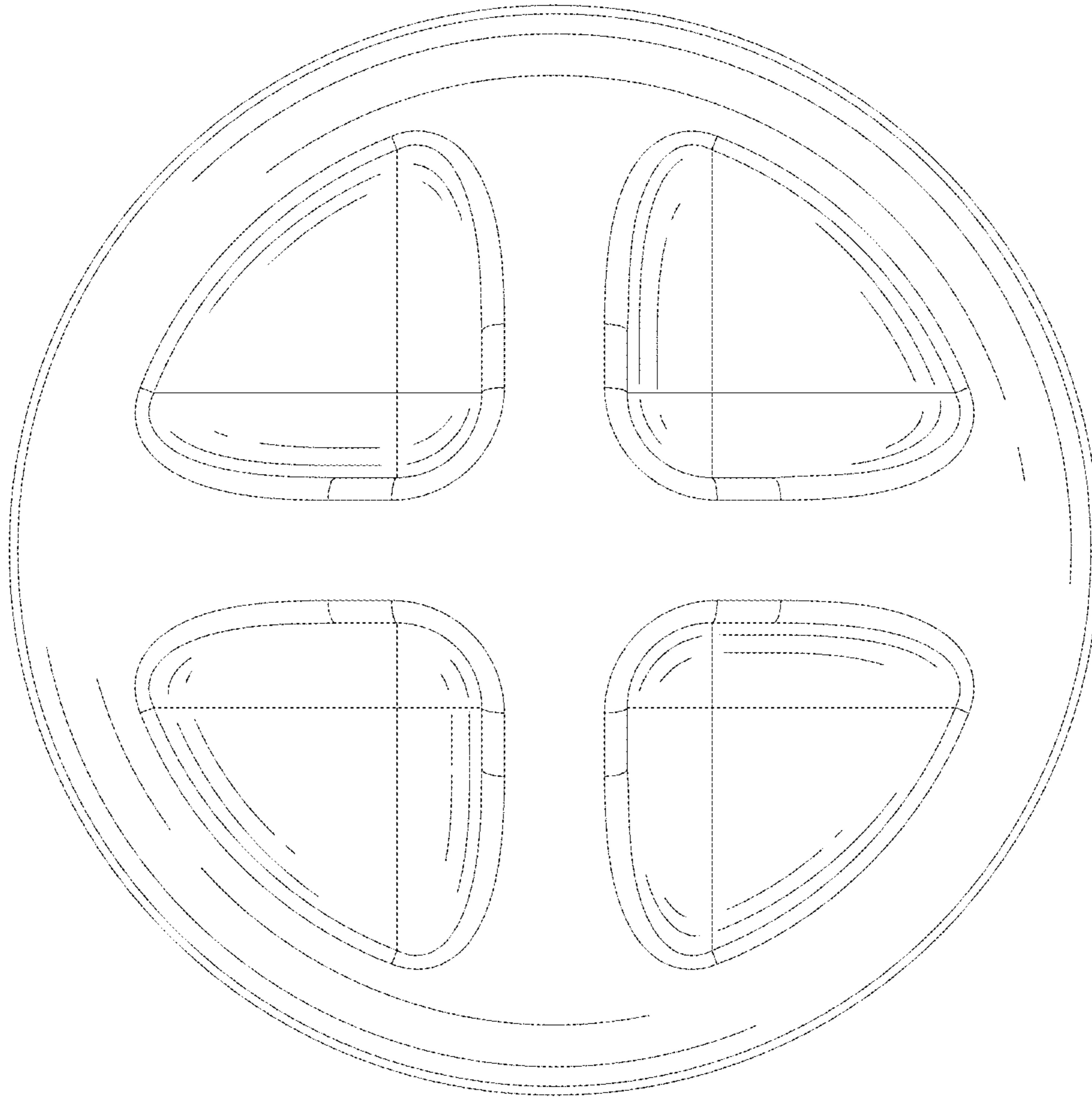


FIG. 3

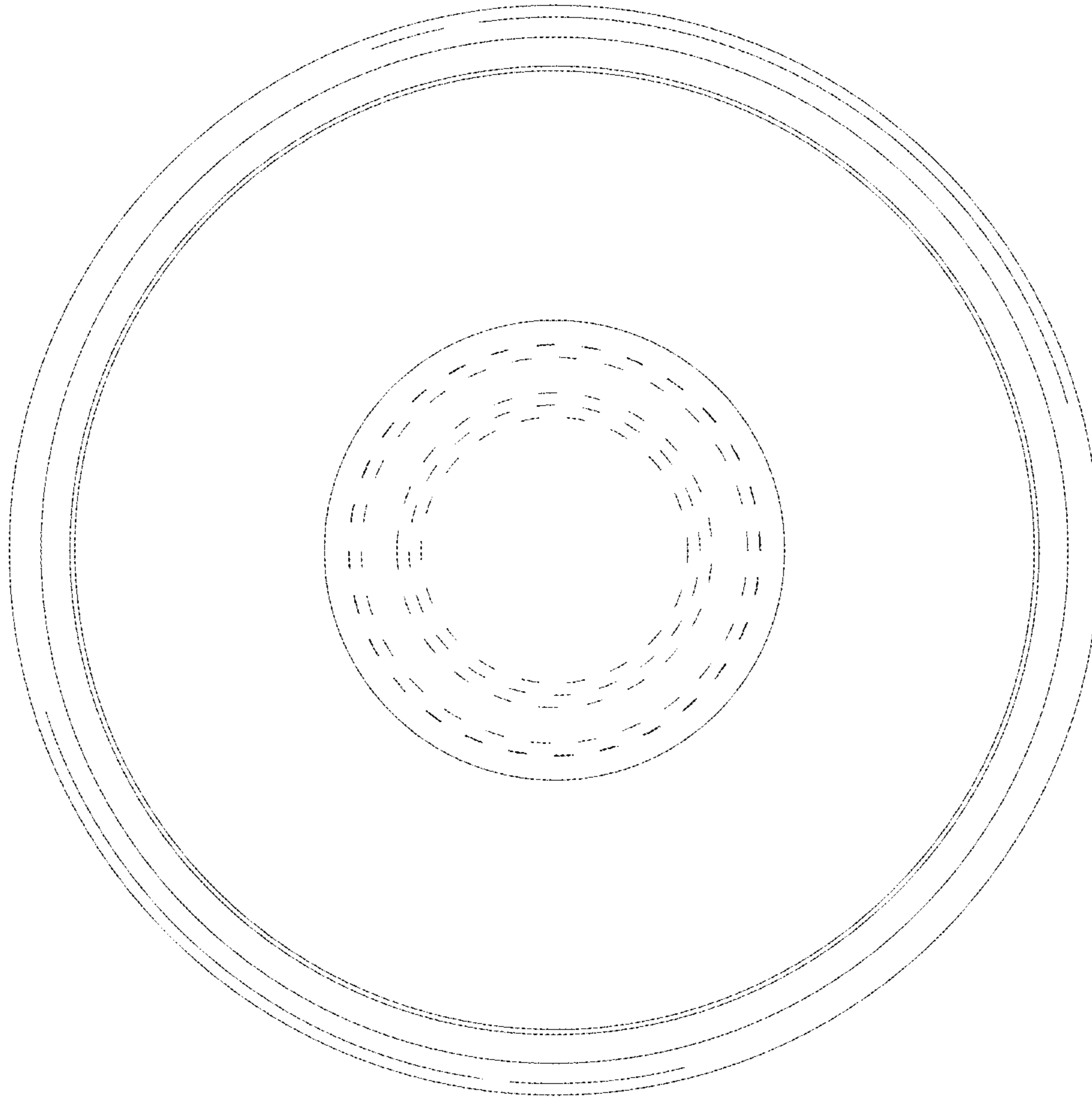


FIG. 4

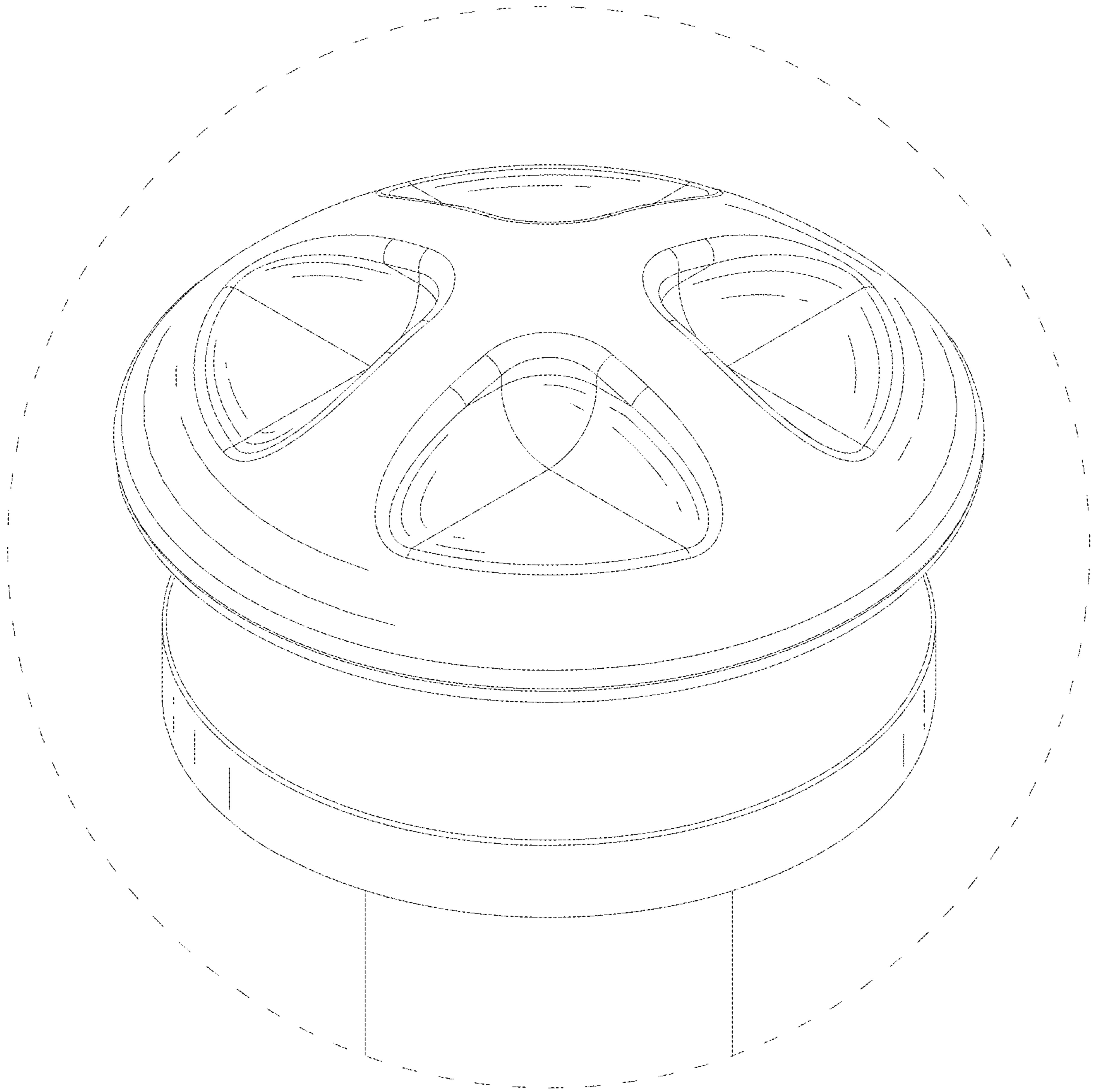


FIG. 5