



US00D947974S

(12) **United States Design Patent**
Sudeith et al.

(10) **Patent No.:** **US D947,974 S**
(45) **Date of Patent:** **** Apr. 5, 2022**

(54) **ADJUSTABLE CLIMBING WALL**
(71) Applicant: **Everlast Climbing Industries, Inc.**,
Minneapolis, MN (US)
(72) Inventors: **Timothy Shawn Sudeith**, Edina, MN
(US); **Sarah Mae Howard**, Lakeville,
MN (US); **Benjamin Tiffin**, Missoula,
MT (US); **Joel Greenblatt**, Wauwatosa,
WI (US); **Joseph Sweeney**,
Minneapolis, MN (US); **Aaron Jon**
Baumgartner, Savage, MN (US);
Justin Lee, Eagan, MN (US)
(73) Assignee: **EVERLAST CLIMBING**
INDUSTRIES, INC., Minneapolis, MN
(US)

2,126,636 A * 8/1938 Horne A63B 9/00
482/36
3,008,711 A * 11/1961 Dillon A63B 9/00
482/36
3,547,435 A * 12/1970 Scott A63B 9/00
482/34
3,719,358 A * 3/1973 Aaron A63B 9/00
482/36
4,759,539 A * 7/1988 Nieppola A63B 9/00
182/163
4,796,884 A * 1/1989 Ely A63B 9/00
482/35
4,815,727 A * 3/1989 Kiribuchi A63B 9/00
182/178.1
4,927,135 A * 5/1990 Nieppola A63B 21/169
482/41
5,046,722 A * 9/1991 Antoon A63B 21/169
482/39

(Continued)

(**) Term: **15 Years**
(21) Appl. No.: **29/742,077**

Primary Examiner — Mitchell I. Siegel
(74) Attorney, Agent, or Firm — McAndrews, Held &
Malloy, Ltd.

(22) Filed: **Nov. 20, 2019**
(51) **LOC (13) Cl.** **21-03**
(52) **U.S. Cl.**
USPC **D21/826**
(58) **Field of Classification Search**
USPC D21/811, 814, 826, 827
CPC A63B 2009/002-006; A63B 17/00; A63B
9/00
See application file for complete search history.

(57) **CLAIM**

The ornamental design for an adjustable climbing wall, as
shown and described.

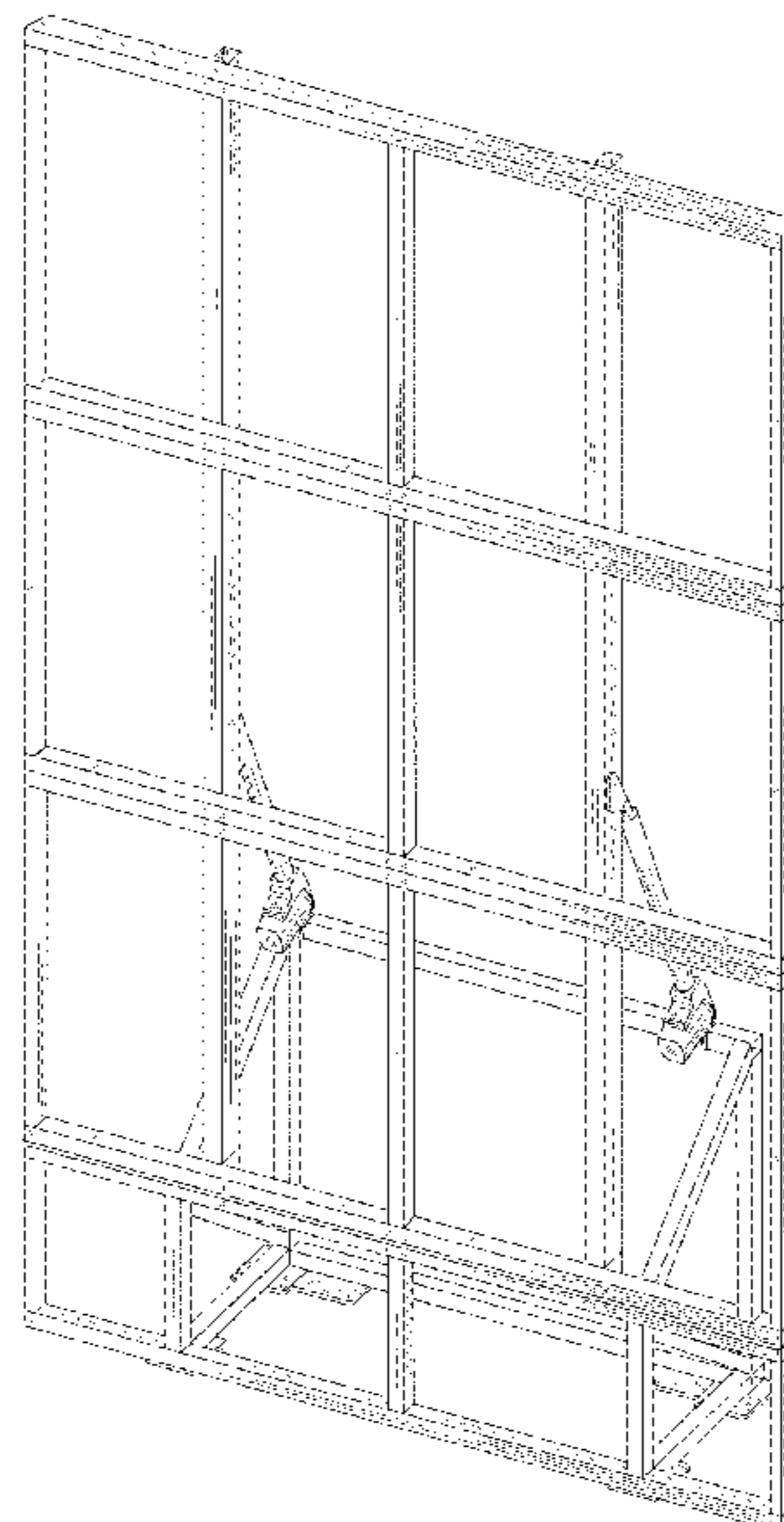
DESCRIPTION

FIG. 1 is a front perspective view of an adjustable climbing
wall showing our new design;
FIG. 2 is a front elevation view thereof;
FIG. 3 is a rear elevation view thereof;
FIG. 4 is a left side elevation view thereof;
FIG. 5 is a right side elevation view thereof;
FIG. 6 is a top plan view thereof;
FIG. 7 is a bottom plan view thereof; and,
FIG. 8 is a rear perspective view thereof.
The broken lines in the drawings illustrate portions of the
adjustable climbing wall that form no part of the claimed
design.

(56) **References Cited**
U.S. PATENT DOCUMENTS

1,471,465 A * 10/1923 Hinton A63B 9/00
482/36
1,488,244 A * 3/1924 Hinton A63B 9/00
482/36
1,488,245 A * 3/1924 Hinton A63B 9/00
482/36

1 Claim, 6 Drawing Sheets



(56)

References Cited

U.S. PATENT DOCUMENTS

5,326,337 A * 7/1994 Pardella A63B 9/00
403/170
D361,818 S * 8/1995 Von Parrish D21/826
D410,271 S * 5/1999 Manus D21/826
D411,604 S * 6/1999 Manus D21/826
D426,609 S * 6/2000 Manus D21/826
6,413,198 B1 * 7/2002 Gray A63B 23/00
482/148
6,475,117 B1 * 11/2002 Berglund A63B 9/00
403/171
D478,144 S * 8/2003 Fredriksson D21/826
D795,970 S * 8/2017 McMaster D21/662
D832,968 S * 11/2018 Martin D21/826
2005/0148436 A1 * 7/2005 Brown A63B 9/00
482/37
2009/0131184 A1 * 5/2009 Pizmony A63B 9/00
472/106
2009/0176622 A1 * 7/2009 Pizmony F16B 7/0453
482/35
2014/0106938 A1 * 4/2014 Sudeith A63B 69/0048
482/37
2018/0028852 A1 * 2/2018 Beaver A63B 21/078
2018/0361188 A1 * 12/2018 Rexroad F16B 7/185
2019/0032335 A1 * 1/2019 Sudeith E04B 2/56
2019/0111295 A1 * 4/2019 Watson A63B 71/023
2020/0376315 A1 * 12/2020 Andon A63G 9/00

* cited by examiner

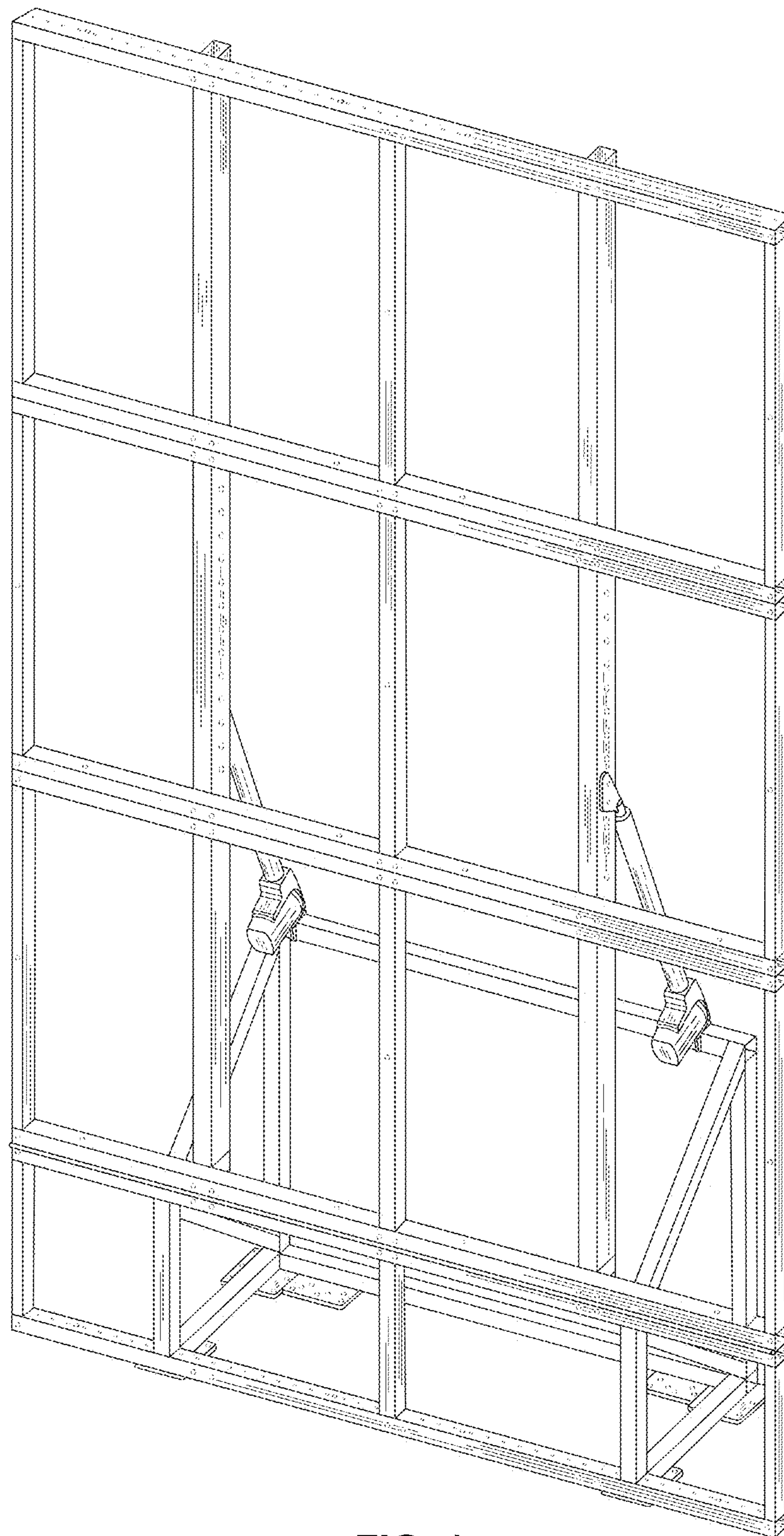


FIG. 1

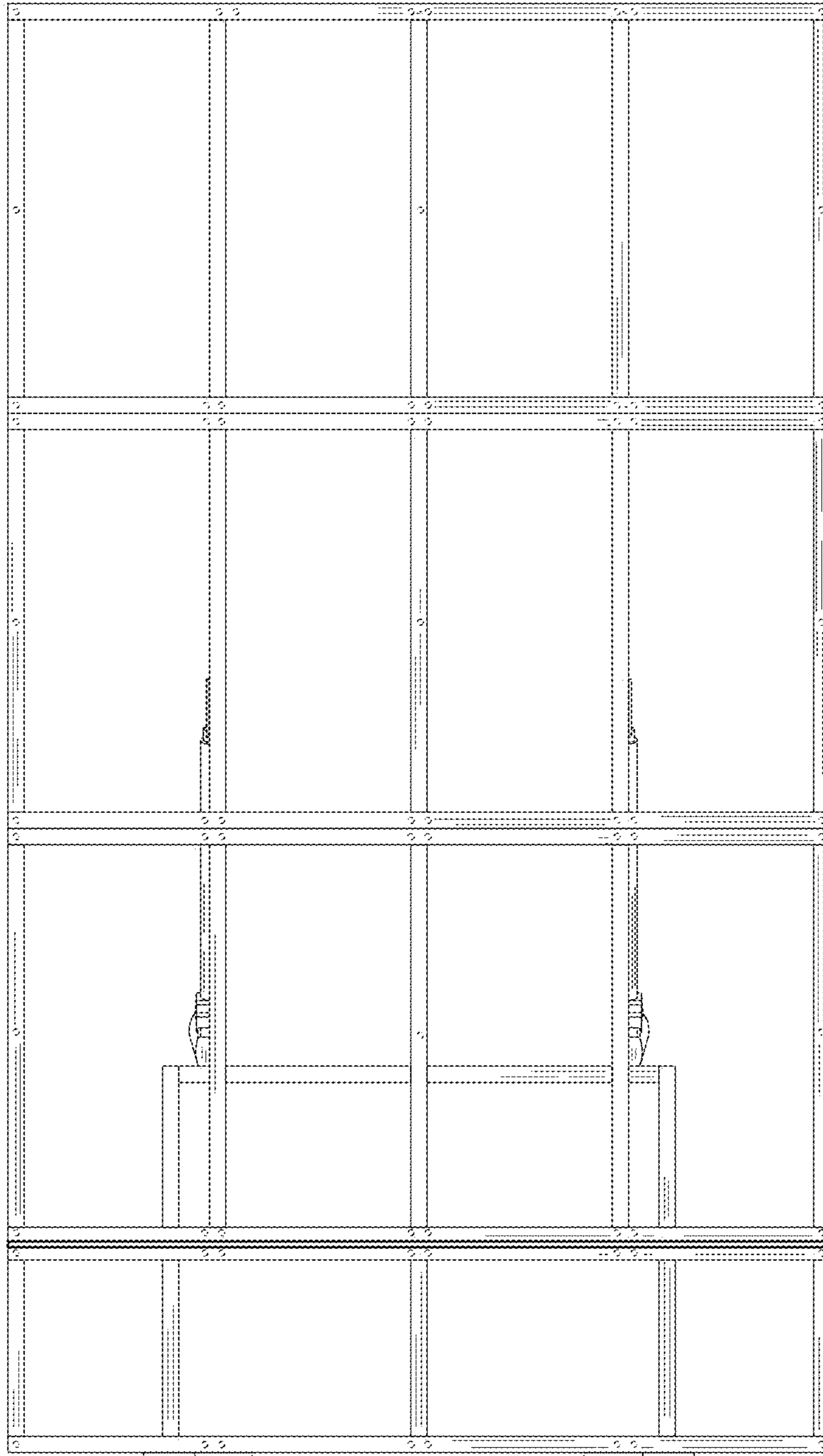


FIG. 2

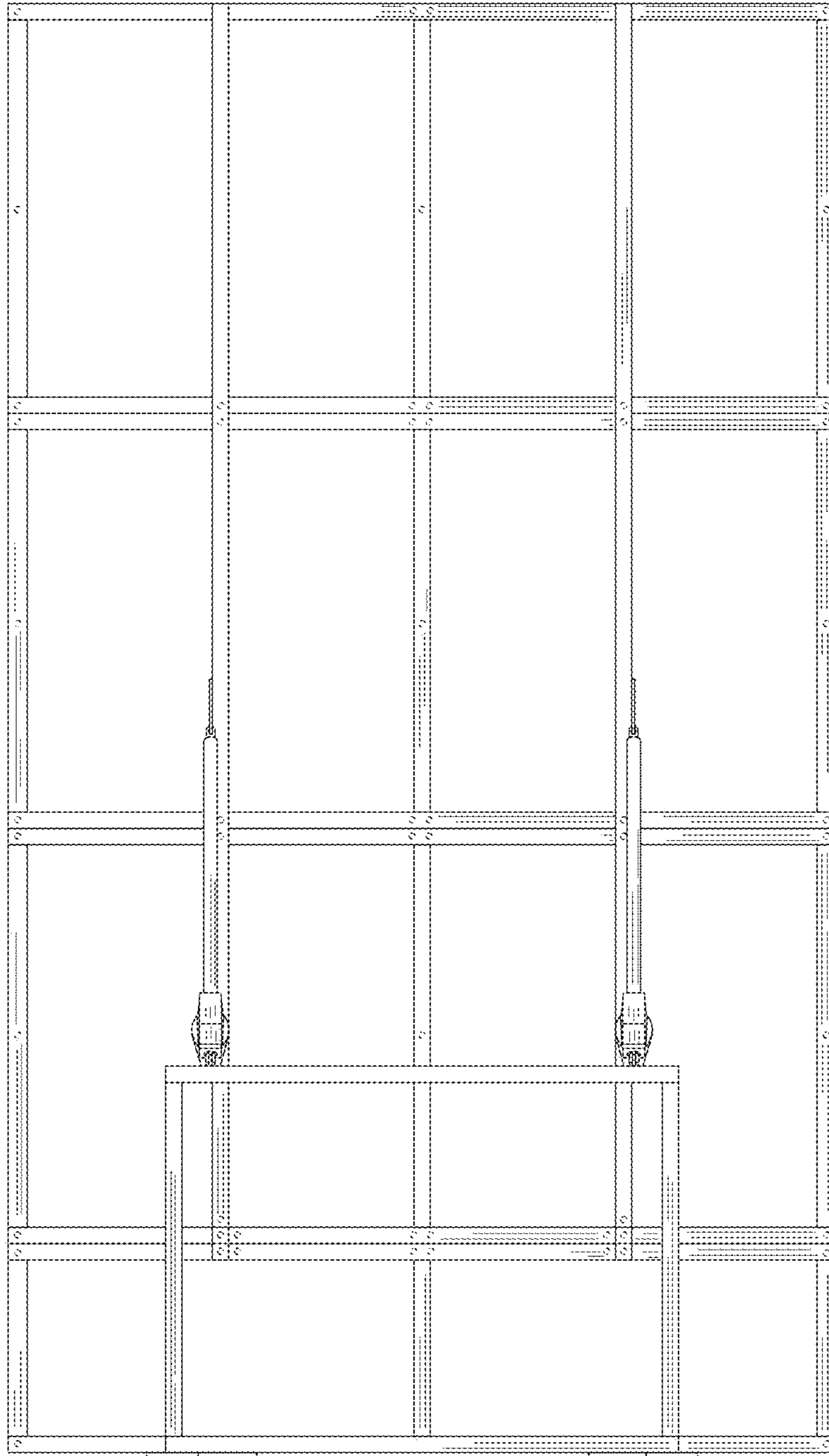


FIG. 3

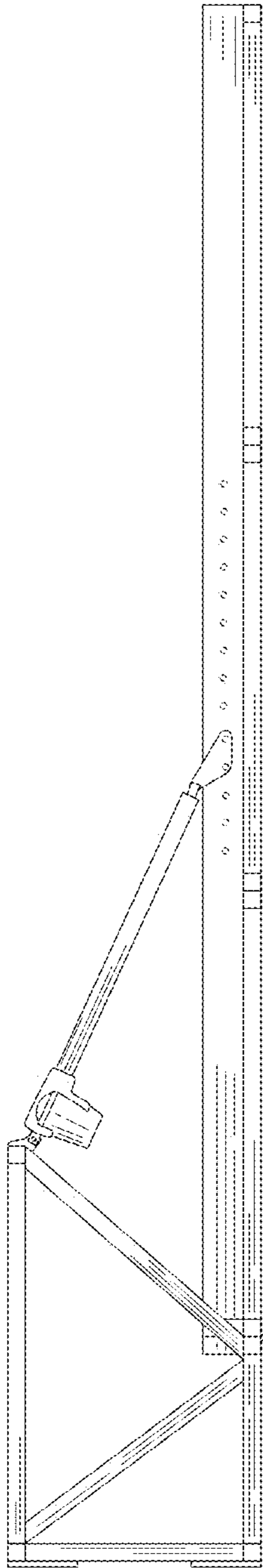


FIG. 4

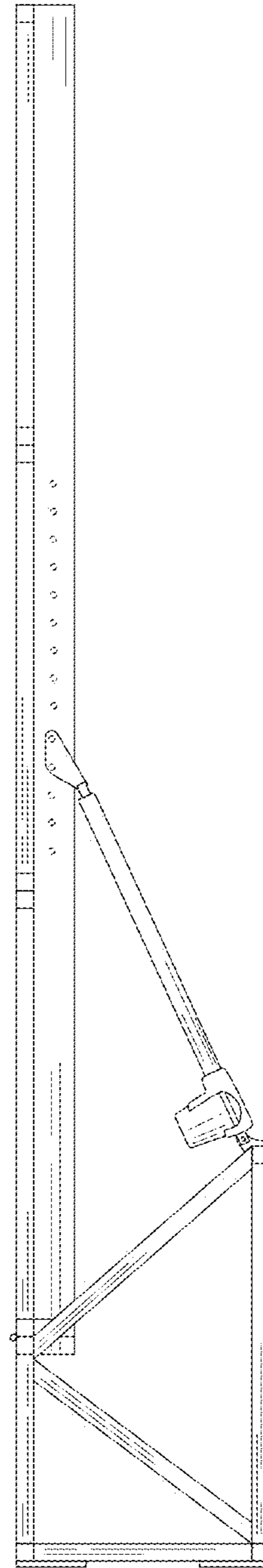


FIG. 5

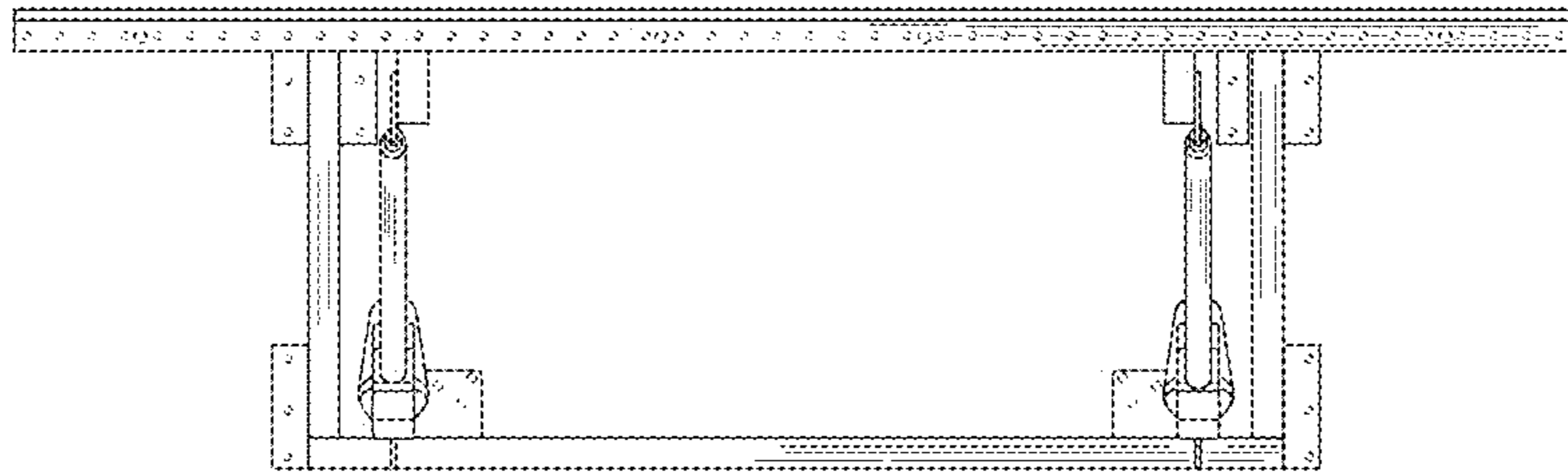


FIG. 6

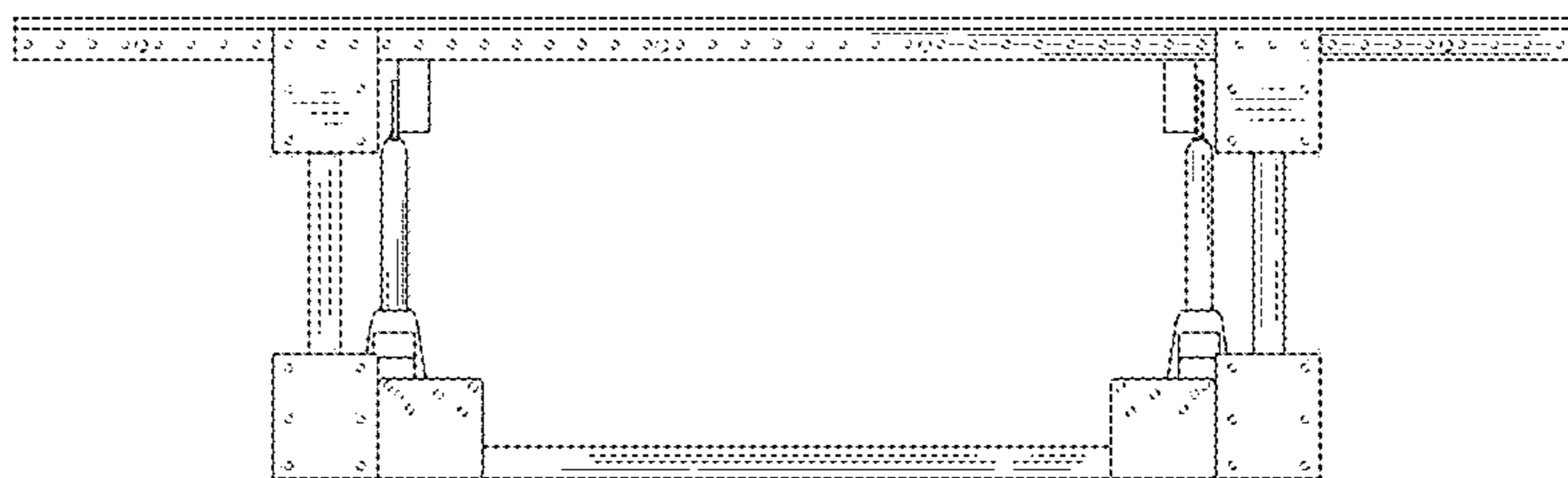


FIG. 7

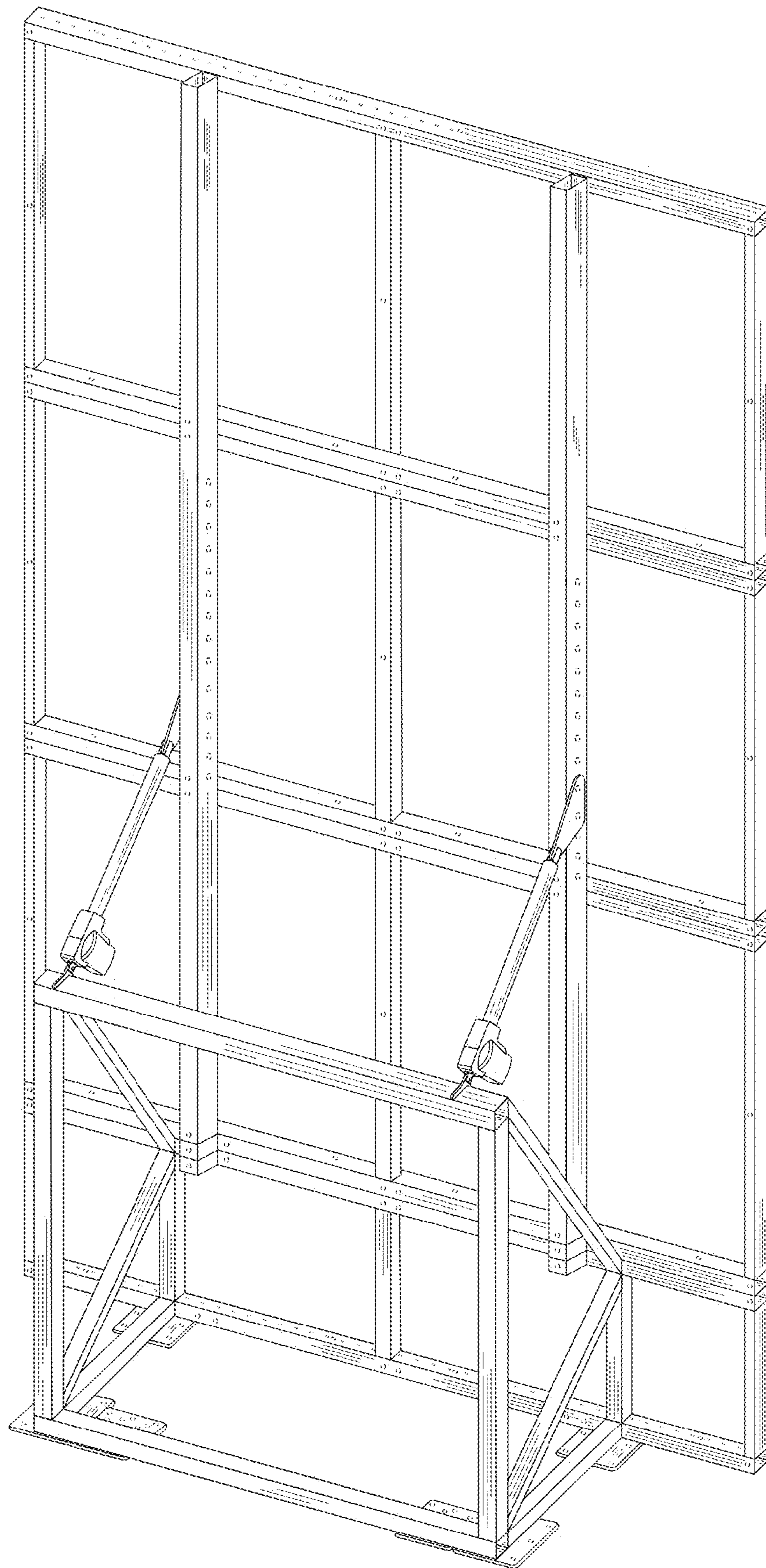


FIG. 8