

US00D947971S

(12) **United States Design Patent** (10) **Patent No.:** **US D947,971 S**
Chun et al. (45) **Date of Patent:** **** Apr. 5, 2022**

(54) **IRON GOLF CLUB HEAD**

(56) **References Cited**

(71) Applicant: **Acushnet Company**, Fairhaven, MA (US)

U.S. PATENT DOCUMENTS

(72) Inventors: **Kevin J. Chun**, Encinitas, CA (US);
Ryan J. A. Ritchie, San Marcos, CA (US)

D763,375 S *	8/2016	Chun	D21/747
D803,960 S *	11/2017	Hebreo	D21/749
D894,303 S *	8/2020	Song	D21/747
D910,128 S *	2/2021	Kitching, Jr.	D21/747
D926,272 S *	7/2021	Cleghorn	D21/747

(73) Assignee: **Acushnet Company**, Fairhaven, MA (US)

* cited by examiner

(**) Term: **15 Years**

Primary Examiner — Mitchell I. Siegel

(21) Appl. No.: **29/741,250**

(74) *Attorney, Agent, or Firm* — Randy K. Chang

(22) Filed: **Jul. 10, 2020**

(57) **CLAIM**

(51) **LOC (13) Cl.** **21-02**

The ornamental design for iron golf club head, as shown and described.

(52) **U.S. Cl.**

DESCRIPTION

USPC **D21/747**

(58) **Field of Classification Search**

USPC D21/747-751, 759

CPC A63B 53/00; A63B 53/02; A63B 53/04;

A63B 53/047; A63B 53/0475; A63B

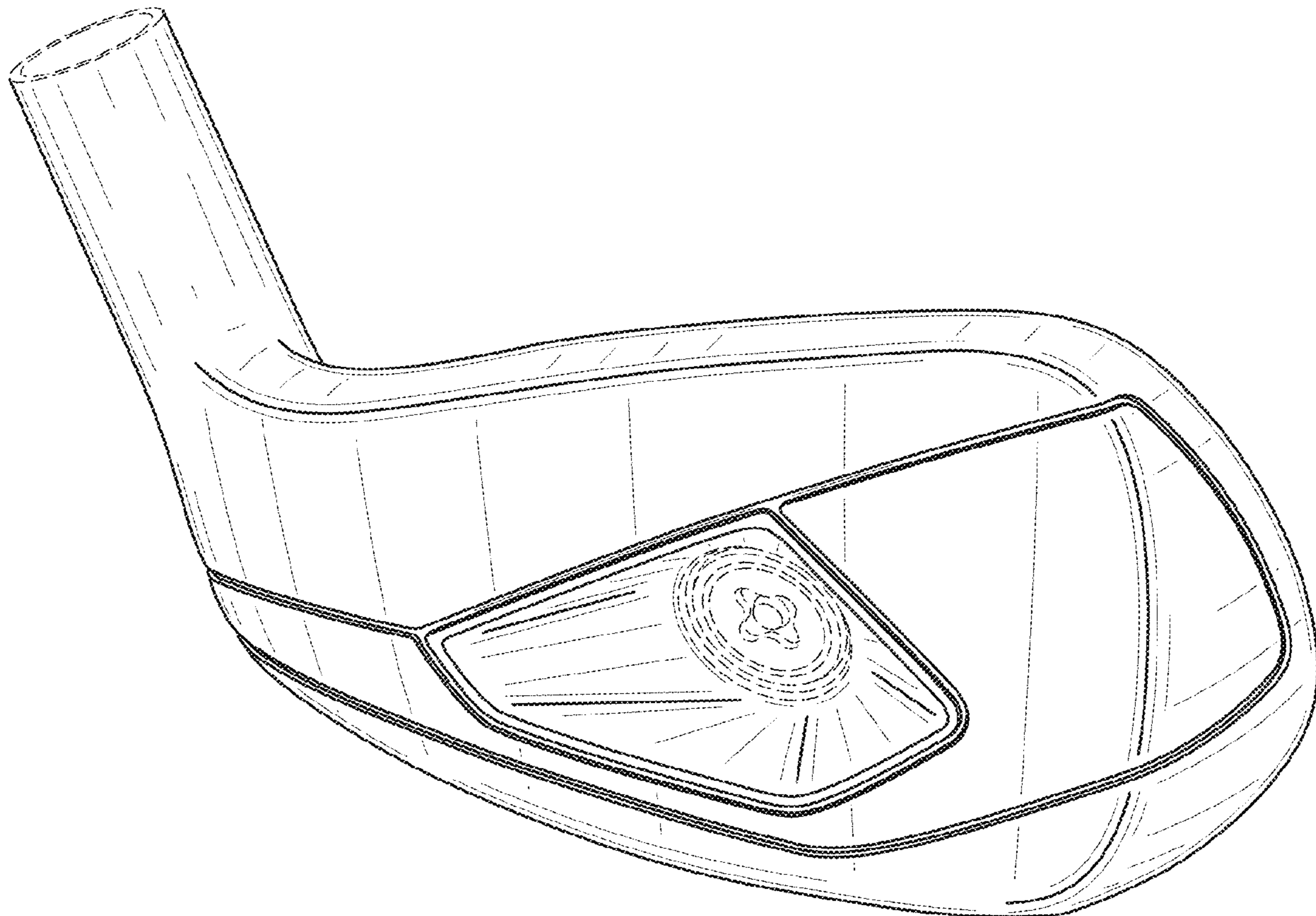
2053/0479; A63B 2053/0483; A63B

2053/0445; A63B 60/00; A63B 60/46

See application file for complete search history.

FIG. 1 is a perspective back view of my new design for an iron golf club head;
 FIG. 2 is a heel end view thereof;
 FIG. 3 is a toe end view thereof;
 FIG. 4 is a top plan view thereof;
 FIG. 5 is a rear elevational view thereof;
 FIG. 6 is a front elevation view thereof; and,
 FIG. 7 is a bottom plan view thereof.
 The broken lines shown form no part of the claimed design.

1 Claim, 3 Drawing Sheets



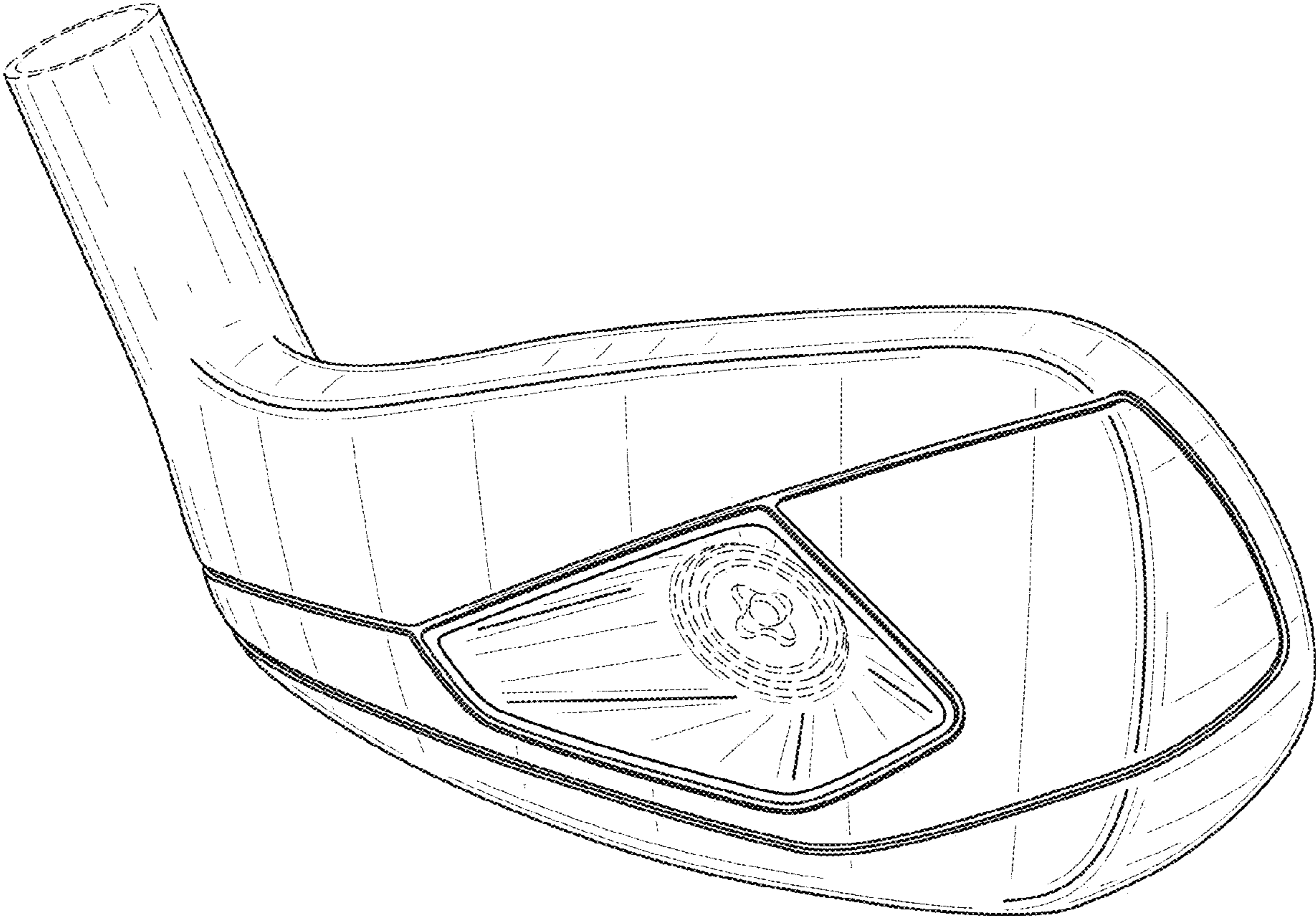


FIG. 1

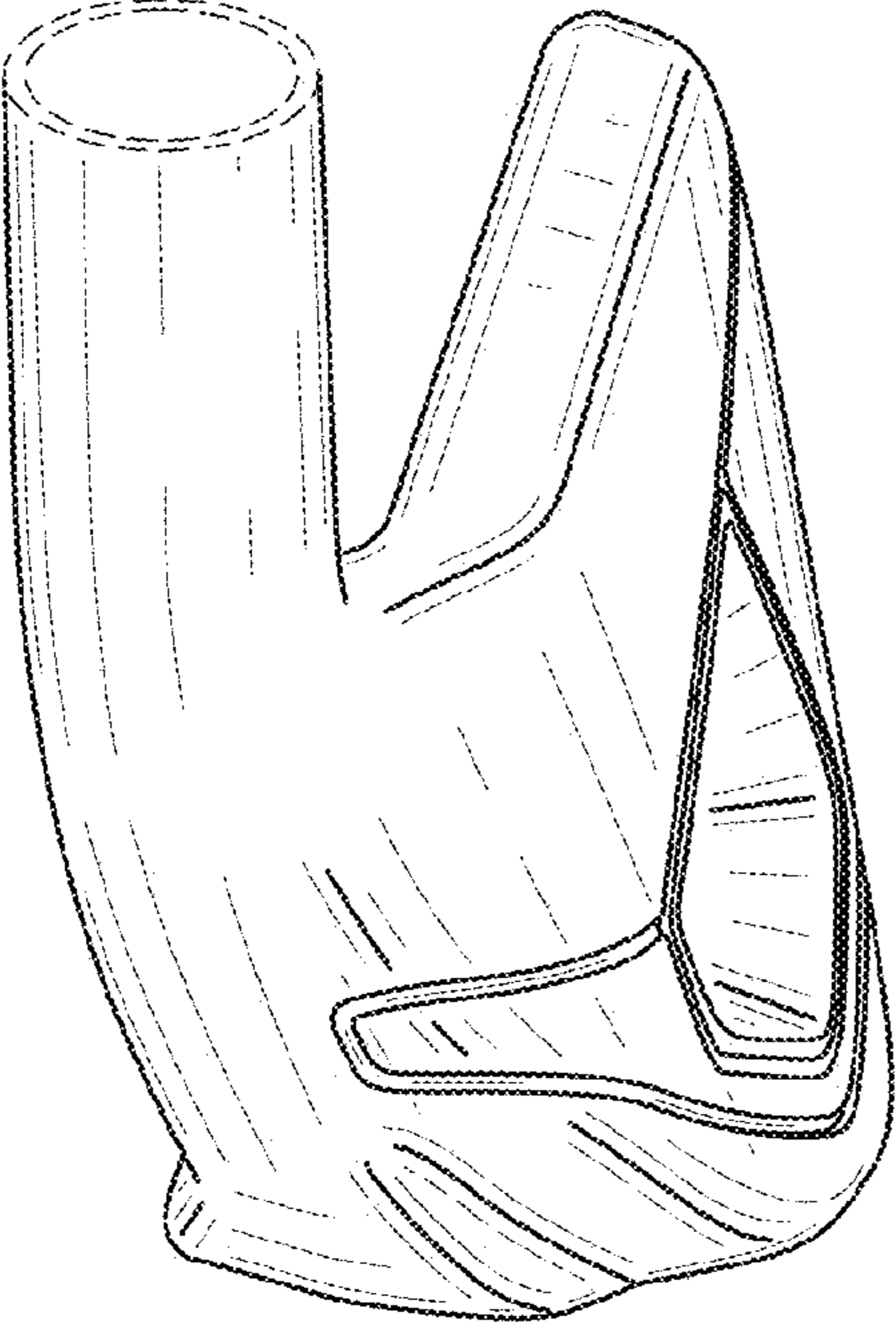


FIG. 2

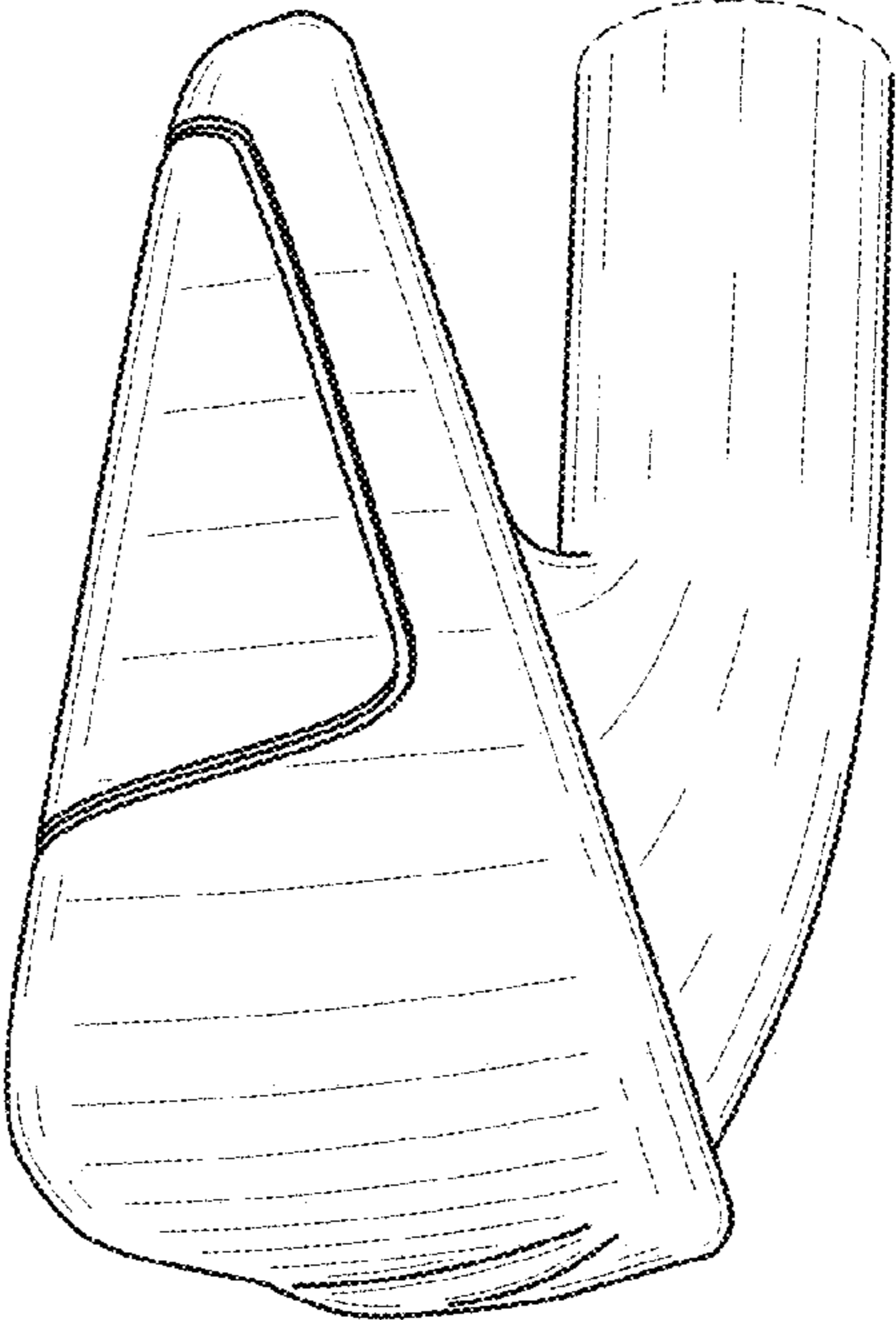


FIG. 3

FIG. 4

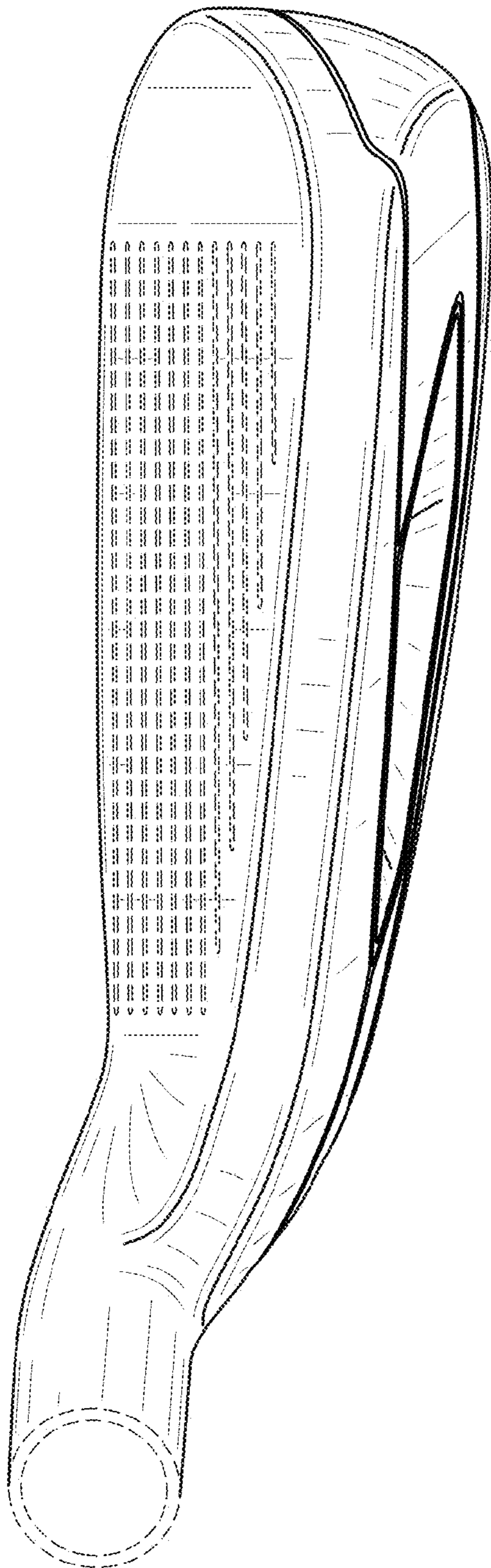
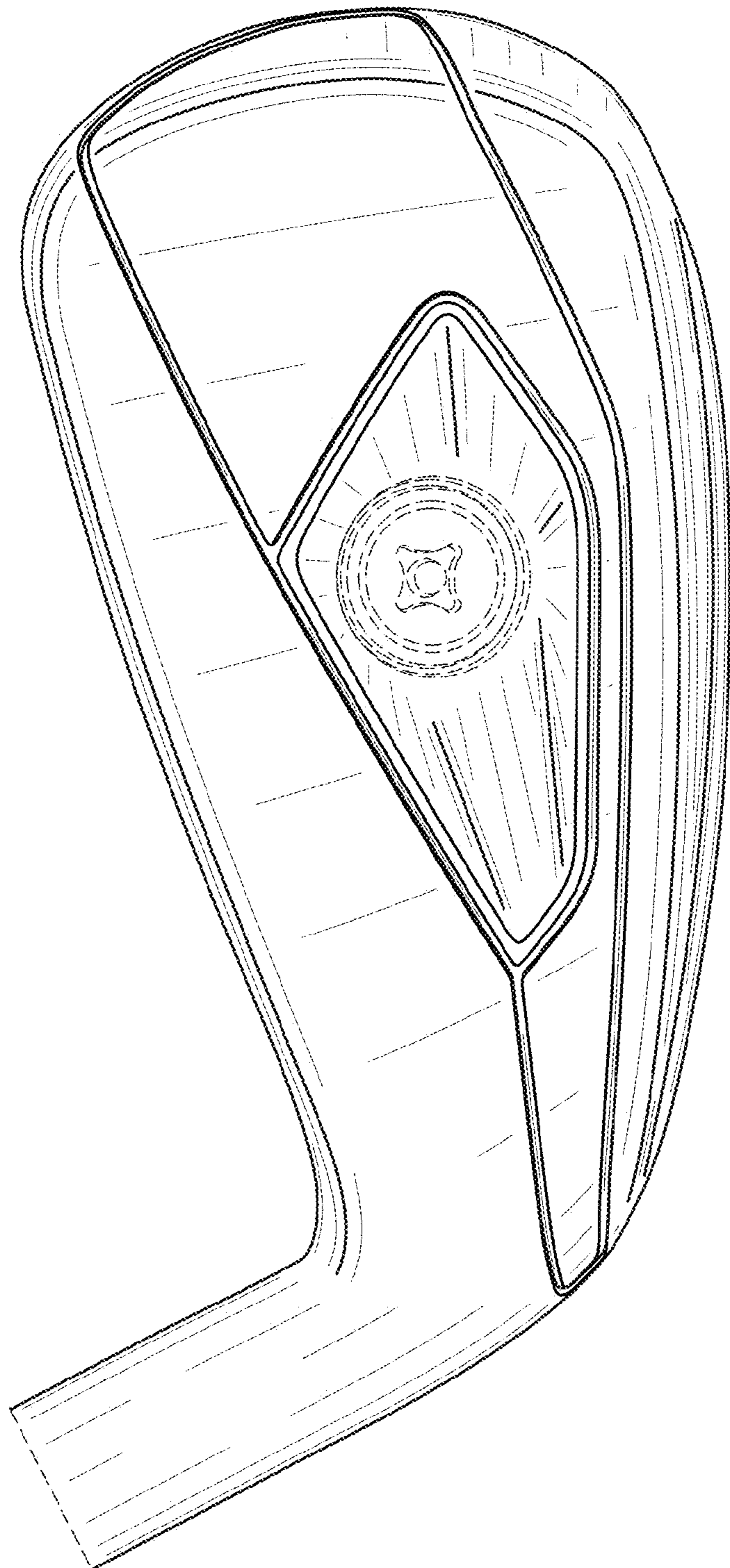


FIG. 5



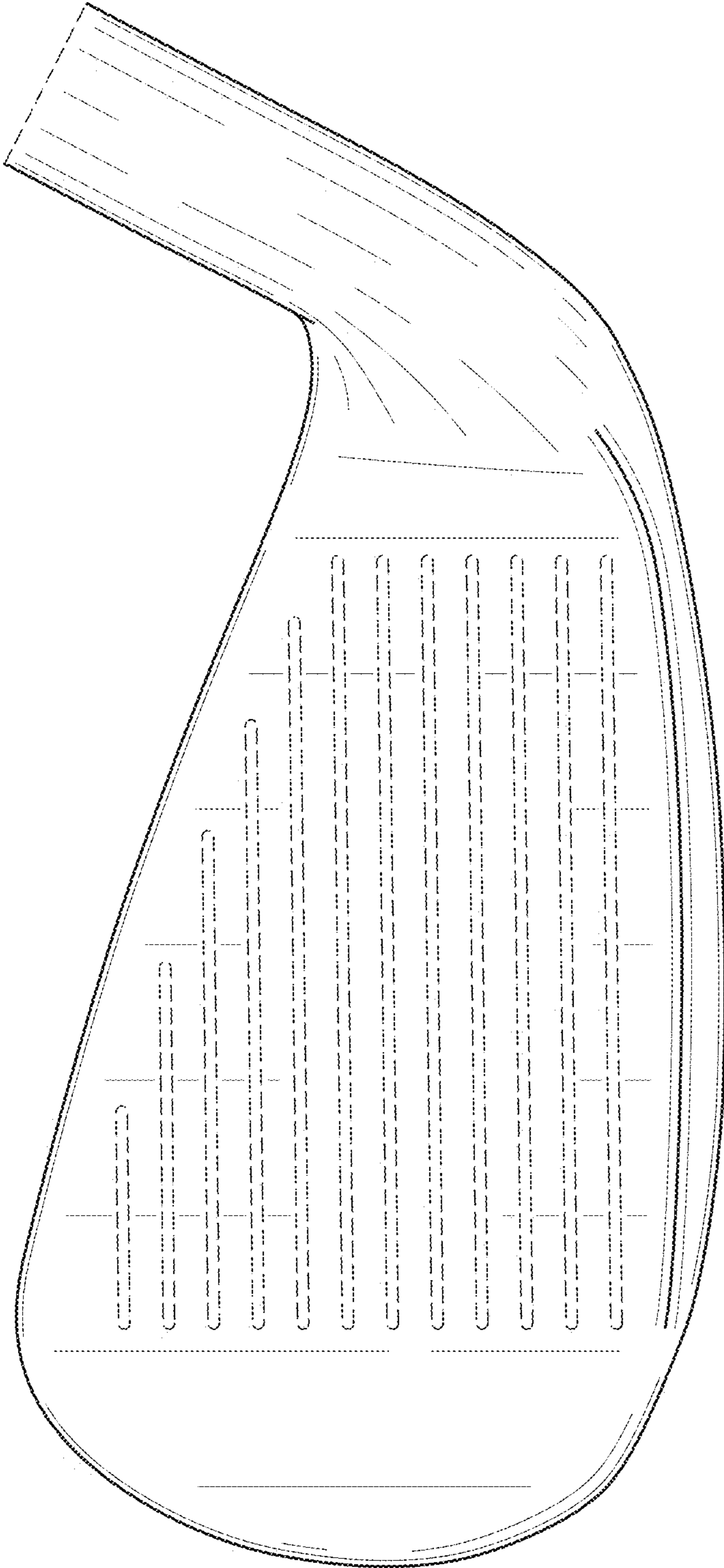


FIG. 6

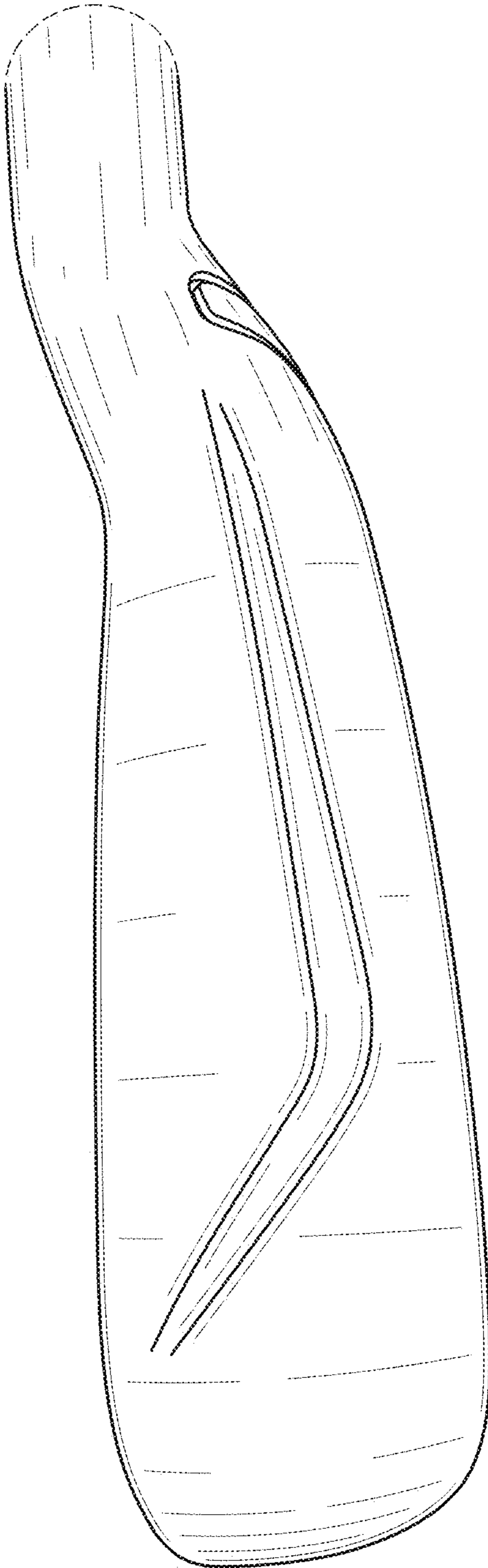


FIG. 7