



US00D947969S

(12) **United States Design Patent**
Yuval

(10) **Patent No.:** **US D947,969 S**

(45) **Date of Patent:** **** Apr. 5, 2022**

(54) **TELESCOPIC BALL RETRIEVAL DEVICE**

(71) Applicant: **SLINGER BAG LTD**, Ra'anana (IL)

(72) Inventor: **Arik Yuval**, Zur Yigal (IL)

(73) Assignee: **SLINGER BAG LTD.**, Ra'anana (IL)

(**) Term: **15 Years**

(21) Appl. No.: **35/510,702**

(22) Filed: **Apr. 28, 2020**

(80) **Hague Agreement Data**

Int. Filing Date: **Apr. 28, 2020**

Int. Reg. No.: **DM/211020**

Int. Reg. Date: **Apr. 28, 2020**

Int. Reg. Pub. Date: **Nov. 6, 2020**

(51) **LOC (13) Cl.** **21-02**

(52) **U.S. Cl.**
USPC **D21/721**

(58) **Field of Classification Search**
USPC D21/720, 721, 791, 793, 796, 799.1
CPC A63B 47/02
See application file for complete search history.

(56) **References Cited**

U.S. PATENT DOCUMENTS

1,937,828	A *	12/1933	MacDonald	A63B 47/02 294/19.2
2,760,807	A *	8/1956	Watson	A63B 47/02 294/19.2
4,522,438	A *	6/1985	Logue	A63B 47/02 221/306
4,629,235	A *	12/1986	Logue	A63B 47/02 221/306

(Continued)

OTHER PUBLICATIONS

Slingerbag, "At @slingerbag, we don't just innovate Ball Launchers", Instagram.com, Feb. 26, 2019. Retrieved from the internet Oct. 7, 2021 <URL: https://www.instagram.com/p/BuVhl2hH2T0/?utm_source=ig_web_copy_link> (Year: 2019).*

Primary Examiner — Joseph Kukella

(74) *Attorney, Agent, or Firm* — Roach Brown McCarthy & Gruber, P.C.; Kevin D. McCarthy

(57) **CLAIM**

The ornamental design for a telescopic ball retrieval device, as shown and described.

DESCRIPTION

1. Telescopic ball retrieval device

FIG. 1.1 is a front side elevation view of a telescopic ball retrieval device, showing my new design;

FIG. 1.2 is a top side elevation view thereof;

FIG. 1.3 is a backside elevation view thereof;

FIG. 1.4 is a left side elevation view thereof;

FIG. 1.5 is a perspective view of the front, bottom and right side thereof, with dotted circled areas identified with numerals "8" and "9", which are further shown and magnified in the following FIGS. 1.8 and 1.9 respectively;

FIG. 1.6 is a right side elevation view thereof;

FIG. 1.7 is a bottom side elevation view thereof;

FIG. 1.8 is an enlargement of area "8" of FIG. 1.5; and

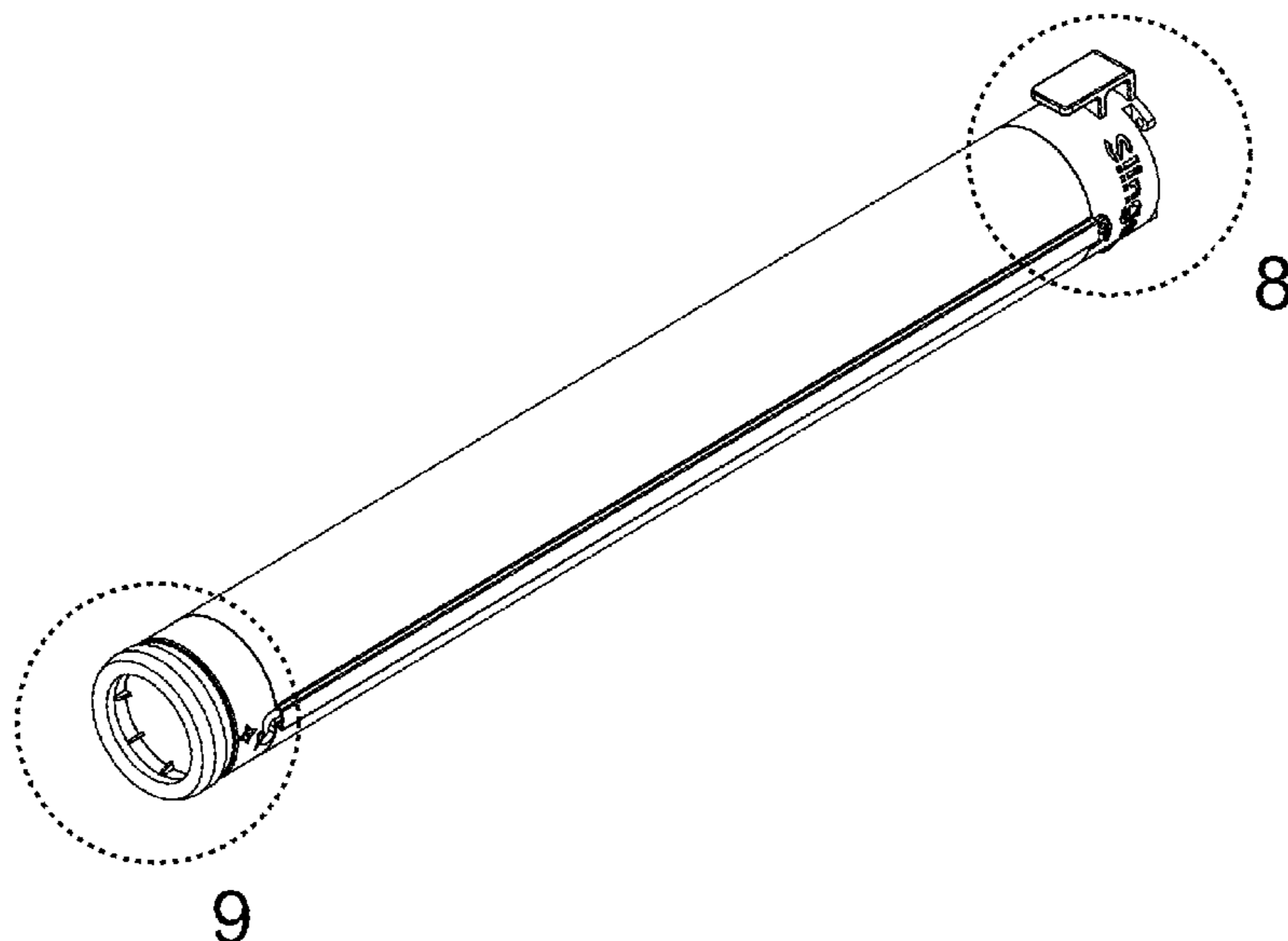
FIG. 1.9 is an enlargement of area "9" indicated in FIG. 1.5.

The areas surrounded by broken lines shown are included for the purpose of illustrating portions of the telescopic ball retrieval device that form no part of the claimed design.

The dot-dash broken lines shown in the drawings depict portions of the telescopic ball retrieval device that are magnified into enlarged views. Those dot-dash lines and the designating numerals "8" and "9" form no part of the claimed design.

The word "SLINGER" forms no part of the claimed design.

1 Claim, 9 Drawing Sheets



(56)

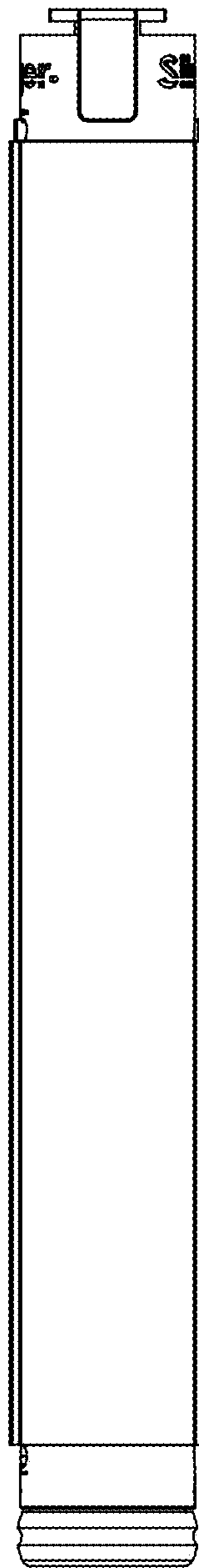
References Cited

U.S. PATENT DOCUMENTS

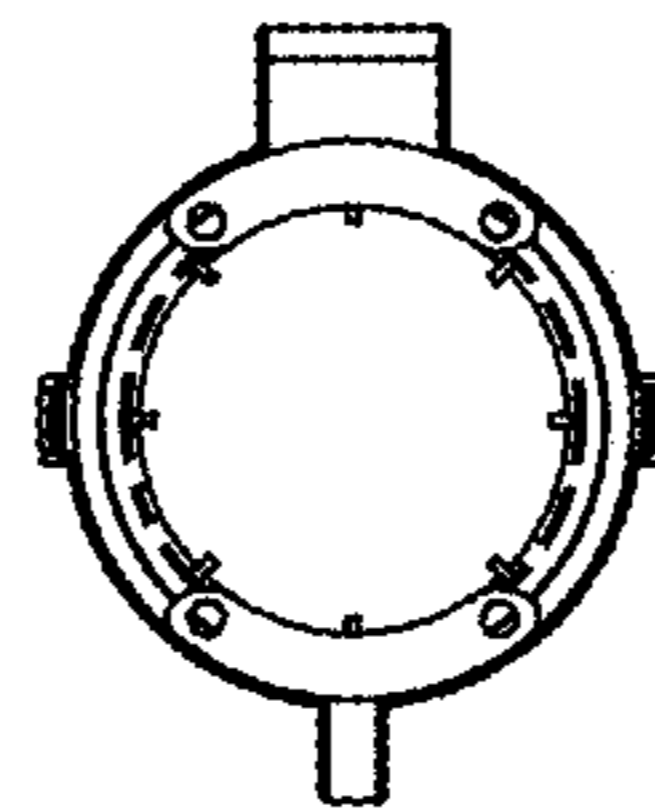
5,755,632 A * 5/1998 Eddy A63B 47/02
473/460
5,775,751 A * 7/1998 Nelson A63B 47/02
206/315.9
D411,278 S * 6/1999 Sammons A63B 47/02
D21/796
D442,658 S * 5/2001 Loerop D21/721
D445,469 S * 7/2001 Loerop A63B 47/02
D21/721
D580,999 S * 11/2008 Mitchell A63B 47/02
D21/721
D606,603 S * 12/2009 Compton A63B 47/02
D21/721
2002/0117870 A1* 8/2002 Cash A63B 47/02
294/19.2
2005/0052040 A1* 3/2005 Hellerson A63B 47/02
294/19.2

* cited by examiner

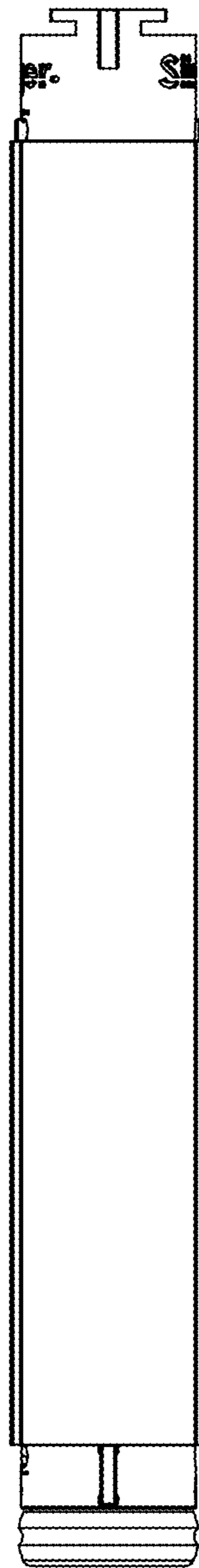
1.1



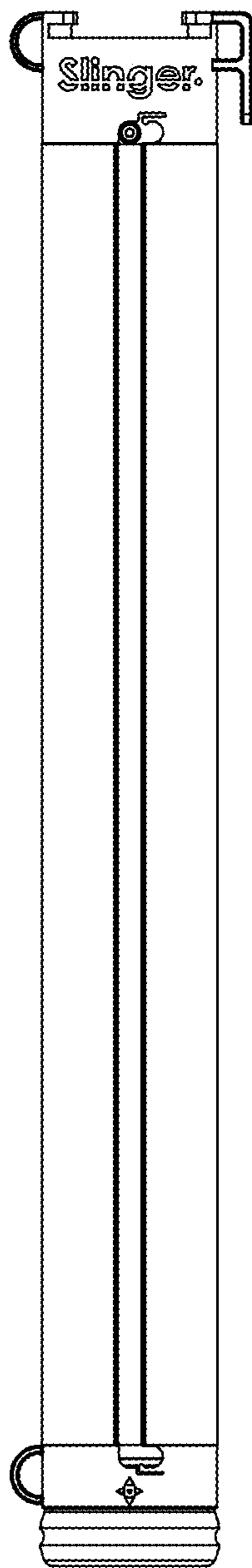
1.2



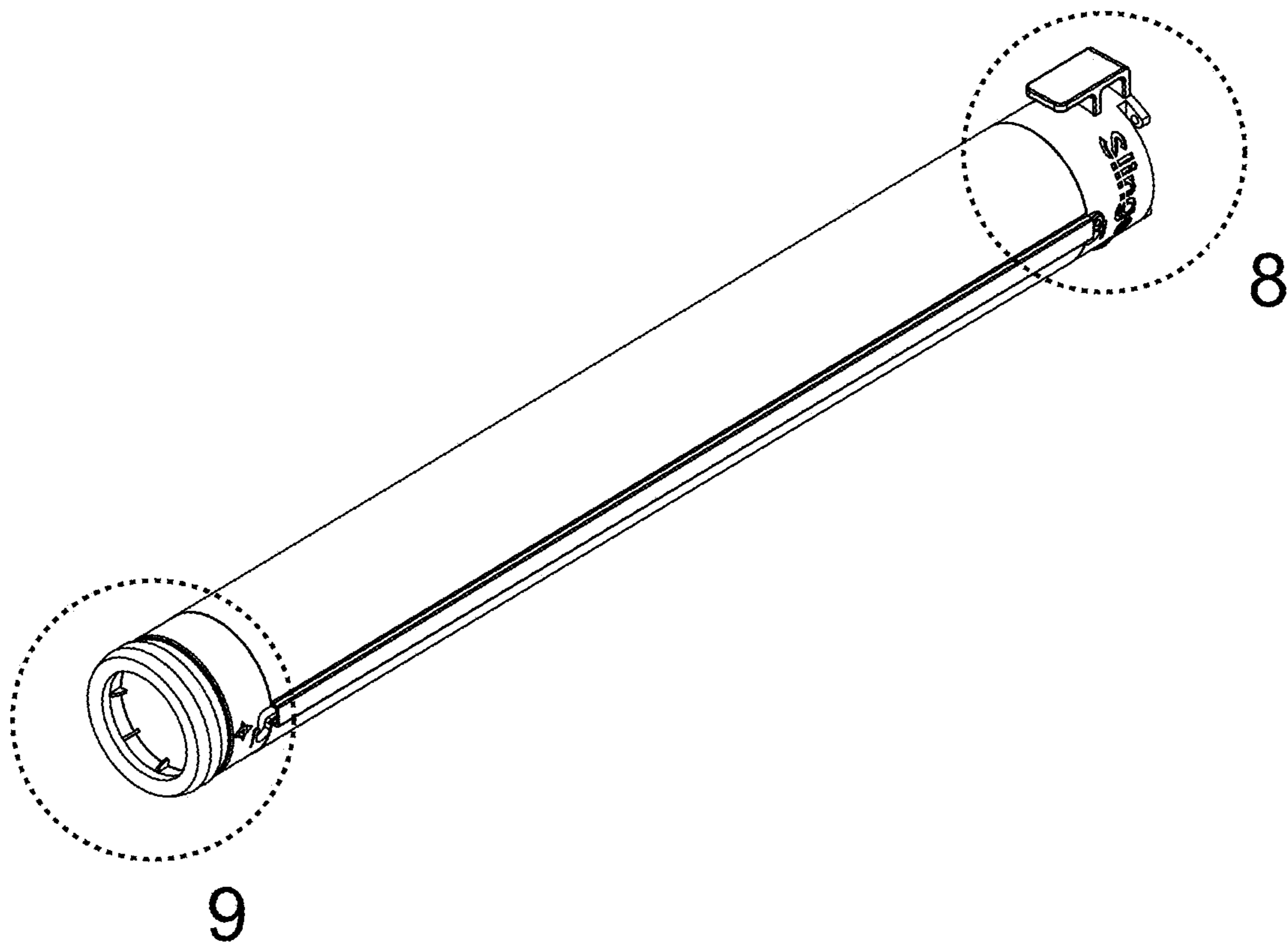
1.3



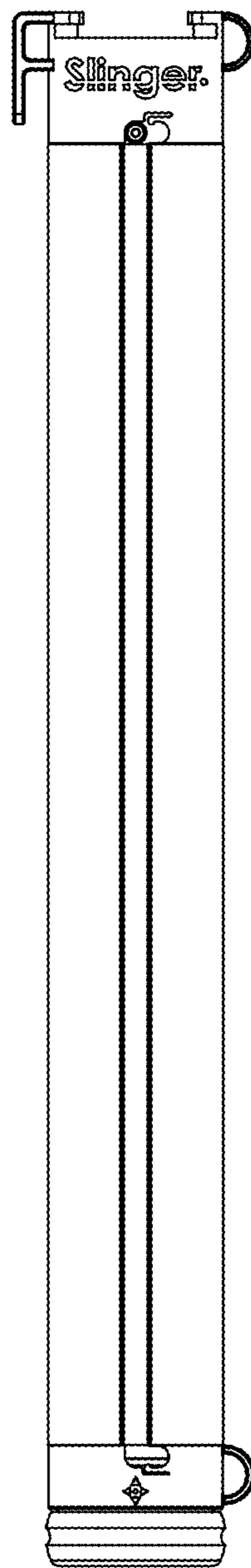
1.4



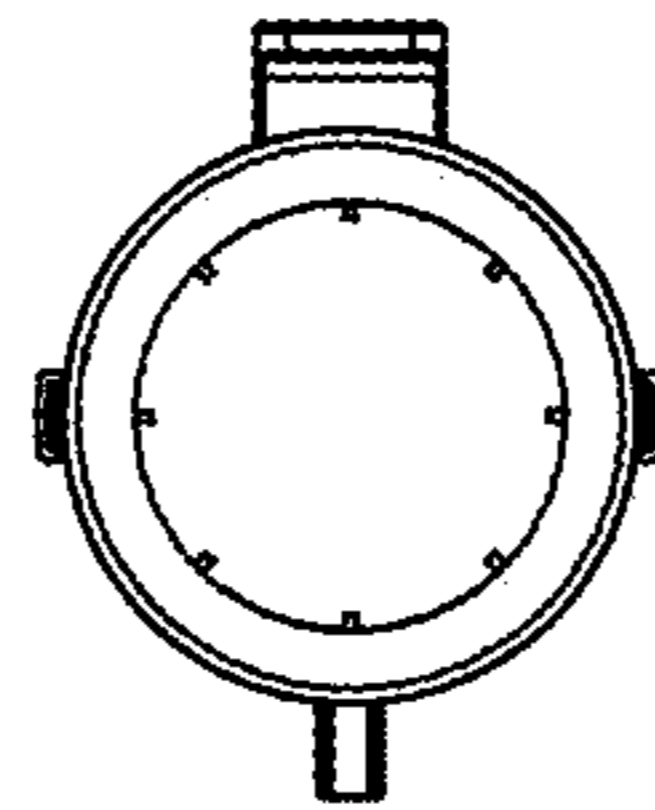
1.5



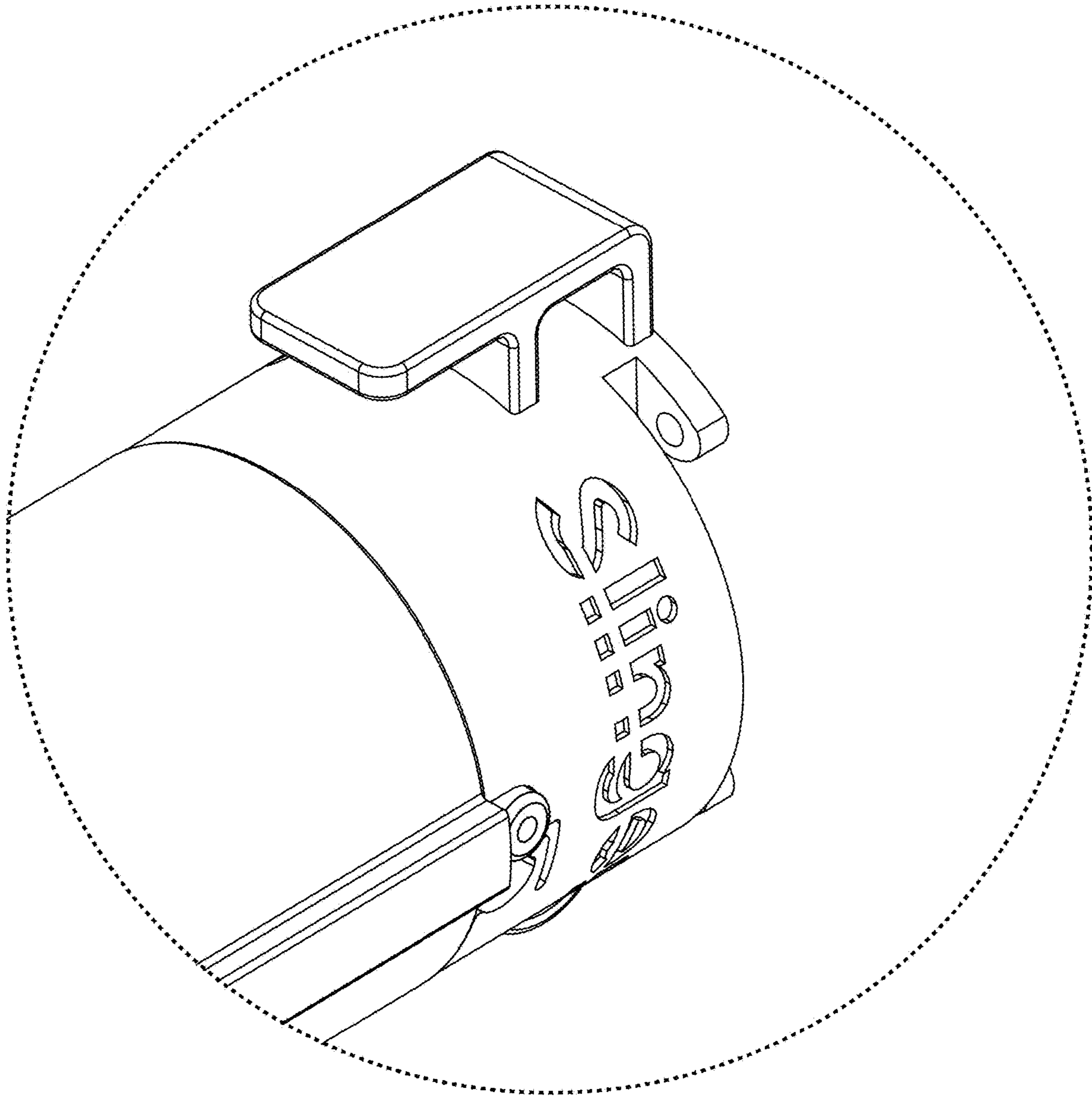
1.6



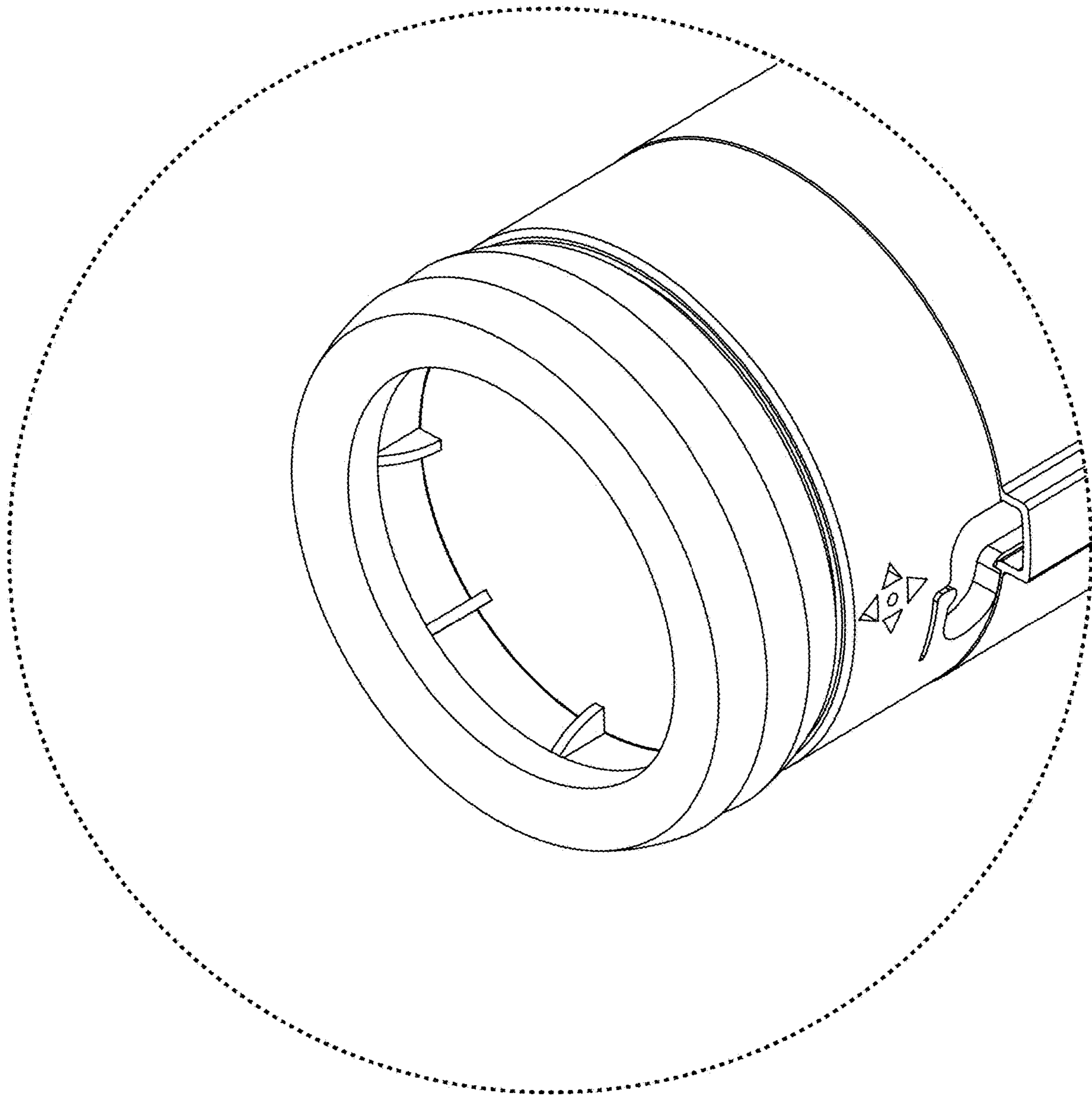
1.7



1.8



1.9



9