



US00D947965S

(12) **United States Design Patent** (10) **Patent No.:** **US D947,965 S**
Gotal (45) **Date of Patent:** **** Apr. 5, 2022**

(54) **EXERCISING DEVICE FOR DEVELOPING MUSCLES**

(71) Applicant: **POTEM d.o.o.**, Sisak (HR)

(72) Inventor: **Jurica Gotal**, Zagreb (HR)

(**) Term: **15 Years**

(21) Appl. No.: **35/509,304**

(22) Filed: **Mar. 13, 2020**

(80) **Hague Agreement Data**

Int. Filing Date: **Mar. 13, 2020**

Int. Reg. No.: **DM/207608**

Int. Reg. Date: **Mar. 13, 2020**

Int. Reg. Pub. Date: **May 8, 2020**

(30) **Foreign Application Priority Data**

Oct. 14, 2019 (WO) WIPO88443

(51) **LOC (13) Cl.** **21-02**

(52) **U.S. Cl.**
USPC **D21/680**

(58) **Field of Classification Search**

USPC D8/75, 77, 78, 80; D21/662, 679-682

CPC A63B 15/00; A63B 21/0608

See application file for complete search history.

(56) **References Cited**

U.S. PATENT DOCUMENTS

D477,517 S *	7/2003	Siemers	A63B 21/0726 D8/77
D644,082 S *	8/2011	LeMacher	A63B 21/4035 D8/78
D660,123 S *	5/2012	Islas	D8/80
D763,649 S *	8/2016	Stinson	D8/78
D854,389 S *	7/2019	Nelson	D8/77
D925,669 S *	7/2021	Richardson	D21/680
2017/0266479 A1 *	9/2017	McCall	A63B 21/0726
2019/0366143 A1 *	12/2019	McCall	A63B 21/4035

OTHER PUBLICATIONS

Don Iron, World First Weight Adjustable SledgeHammer(Don Iron 3D), Dec. 8, 2019, YouTube.com. Retrieved from the internet on Jun. 23, 2021 <URL: <https://youtu.be/hxVyn54UOdg>> (Year: 2019).*

* cited by examiner

Primary Examiner — Joseph Kukella

(57) **CLAIM**

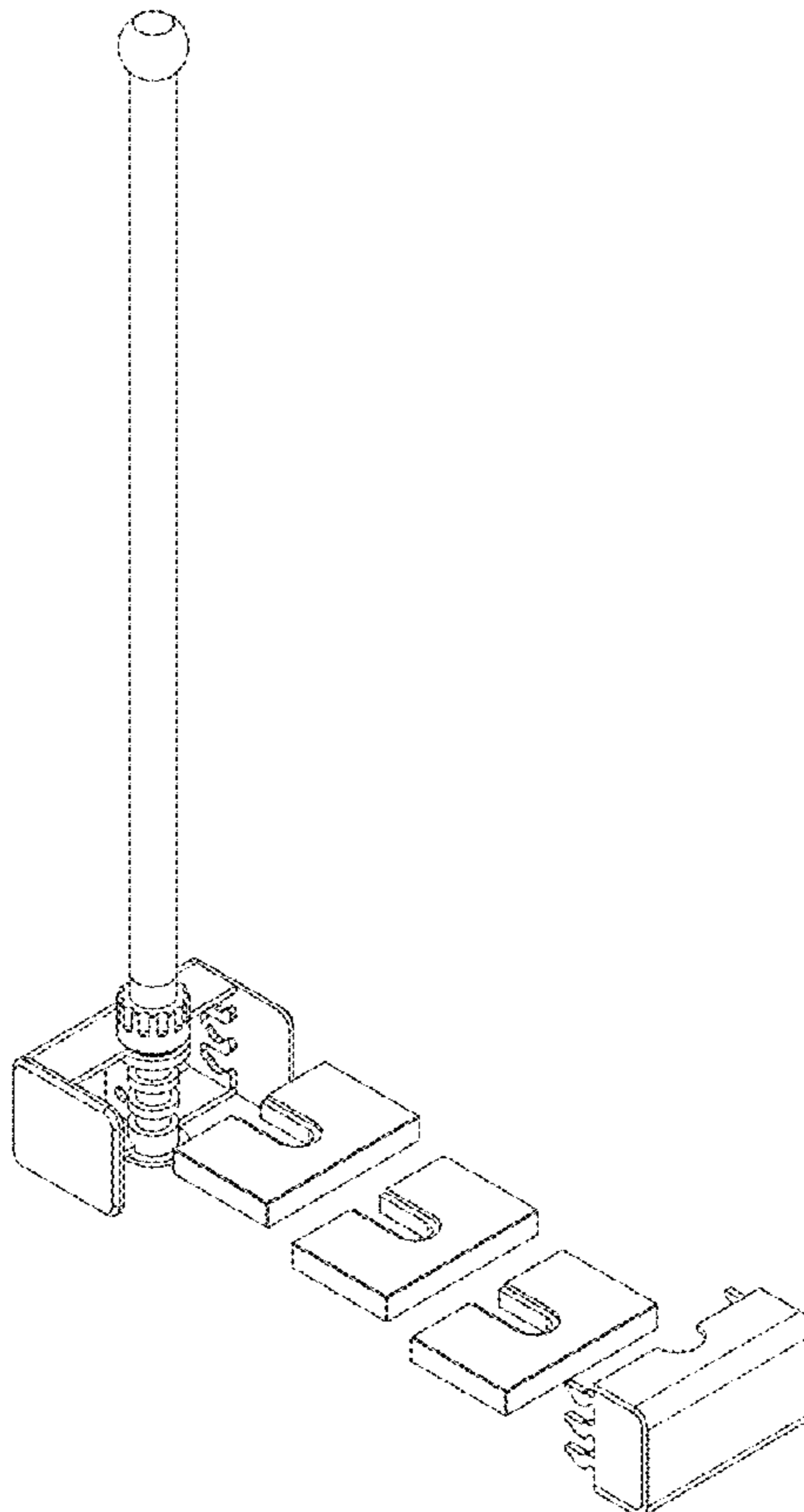
The ornamental design for an exercising device for developing muscles, as shown and described.

DESCRIPTION

1. Exercising device for developing muscles

1.3 : Exploded

1 Claim, 1 Drawing Sheet



1.3

