



US00D947961S

(12) **United States Design Patent**
Chen

(10) **Patent No.:** **US D947,961 S**

(45) **Date of Patent:** **** Apr. 5, 2022**

(54) **PNEUMATIC SOFT BULLET GUN**

(71) Applicant: **Jinxi Chen**, Guangdong (CN)

(72) Inventor: **Jinxi Chen**, Guangdong (CN)

(**) Term: **15 Years**

(21) Appl. No.: **29/751,323**

(22) Filed: **Sep. 21, 2020**

(51) **LOC (13) Cl.** **21-01**

(52) **U.S. Cl.**
USPC **D21/570**

(58) **Field of Classification Search**
USPC D21/333, 570, 572-575; D14/418
CPC F41B 7/00; F41B 7/003; F41B 7/08; F41B
9/00; F41B 9/0078; F41B 9/0081; F41B
11/89; A63H 5/04
See application file for complete search history.

(56) **References Cited**

U.S. PATENT DOCUMENTS

3,765,396	A *	10/1973	Kienholz	F41B 11/50 124/65
D351,007	S *	9/1994	Bednar	D21/572
5,377,656	A *	1/1995	Lewinski	F41B 9/0037 124/56
D574,443	S *	8/2008	Wong	D21/572
D653,295	S *	1/2012	Rothman	D21/570
D664,604	S *	7/2012	Greiner	D21/570
D698,871	S *	2/2014	Cummings	D21/570
D718,824	S *	12/2014	Huang	D21/570
D786,986	S *	5/2017	Su	D21/570
D790,639	S *	6/2017	Yu	D21/573

D832,370	S *	10/2018	Chen	D21/573
10,182,554	B1 *	1/2019	Santiago	A63B 69/407
2008/0022990	A1 *	1/2008	Mitchell	F41B 11/641 124/65
2017/0356716	A1 *	12/2017	Mitchell	F41B 11/89

OTHER PUBLICATIONS

USA Toyz Astroshot Gemini Shooting Games for Kids, reviewed Dec. 2, 2019 [online], [site visited Nov. 19, 2021]. Available from Internet: <URL:https://www.amazon.com/dp/B07WF2C3QZ/> (Year: 2019).*

* cited by examiner

Primary Examiner — Cynthia M. Chin

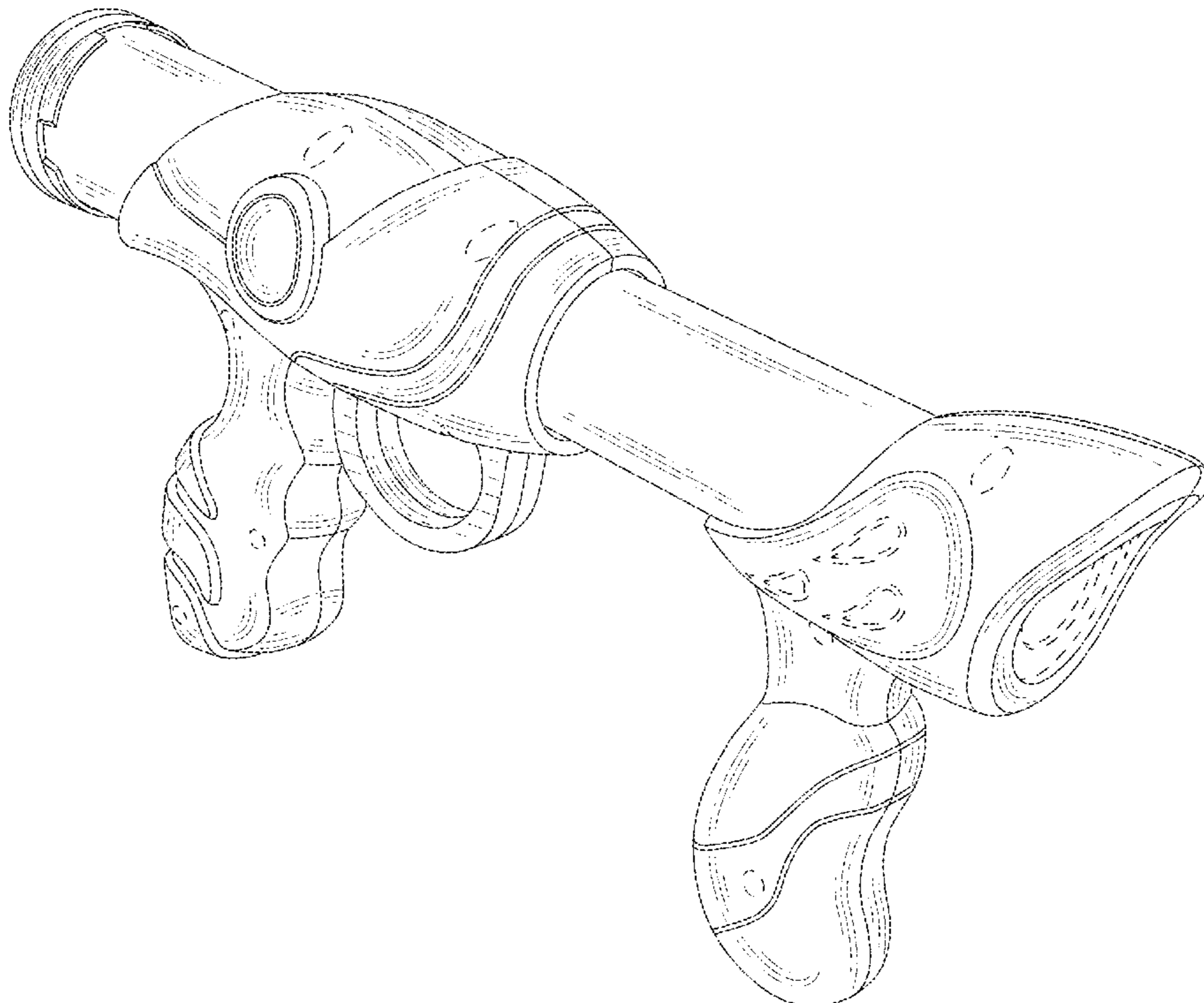
(57) **CLAIM**

The ornamental design for a pneumatic soft bullet gun, as shown and described.

DESCRIPTION

FIG. 1 is a perspective view of a pneumatic soft bullet gun showing my new design;
FIG. 2 is a front elevational view thereof;
FIG. 3 is a rear elevational view thereof;
FIG. 4 is a left side elevational view thereof;
FIG. 5 is a right side elevational view thereof;
FIG. 6 is a top plan view thereof; and,
FIG. 7 is a bottom plan view thereof.
The broken lines throughout the drawing figures depict portions of the pneumatic soft bullet gun that form no part of the claimed design.

1 Claim, 7 Drawing Sheets



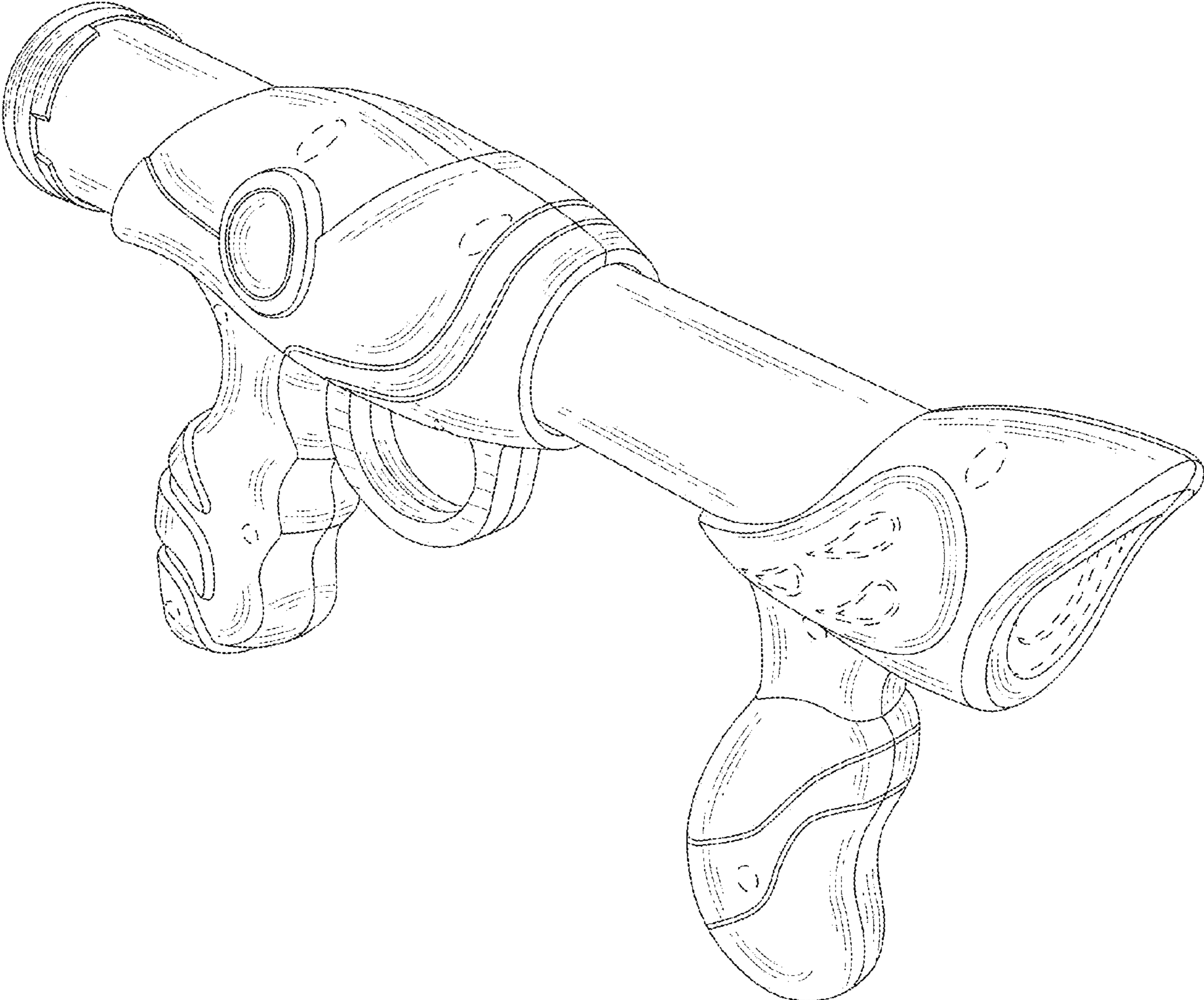


FIG.1

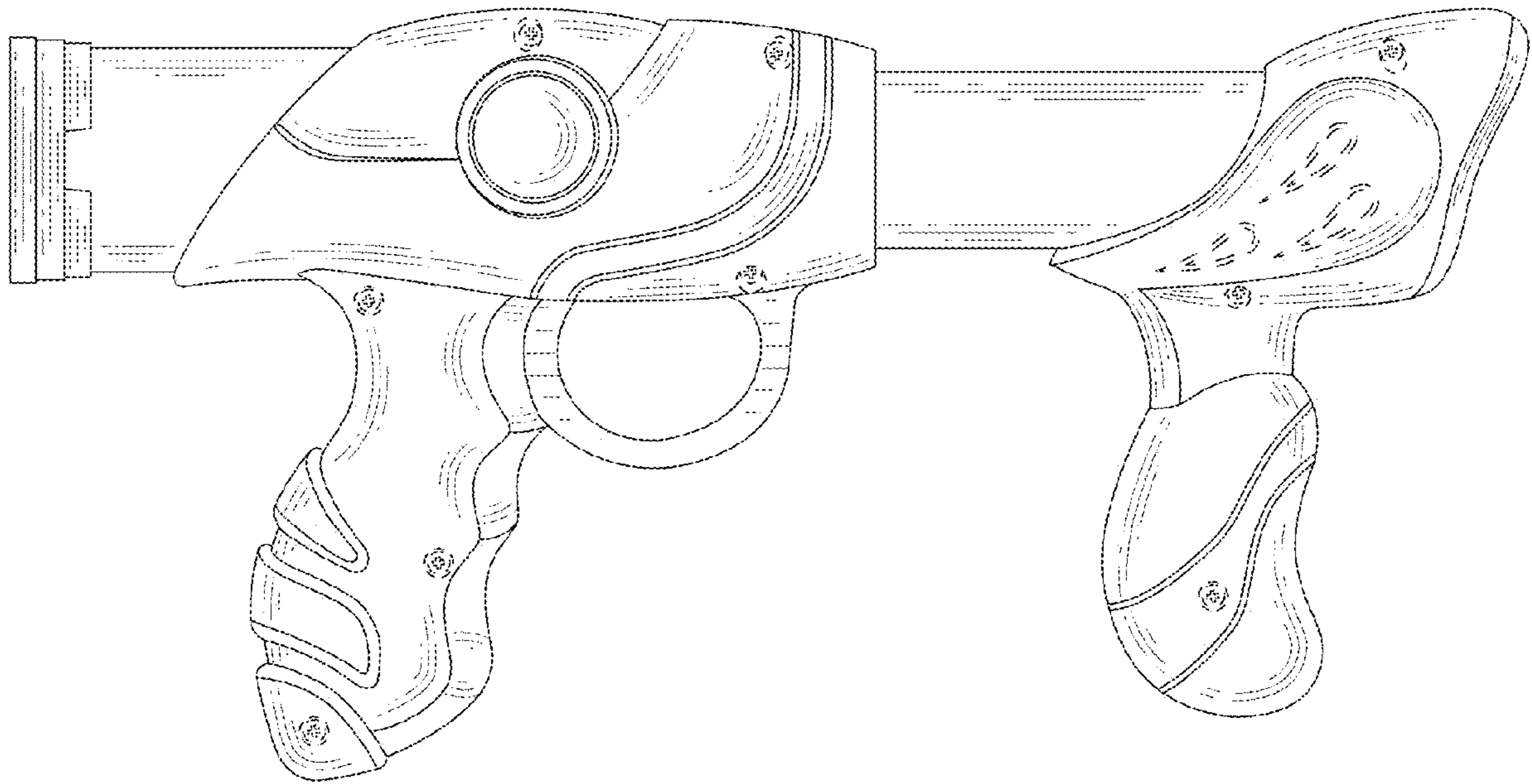


FIG.2

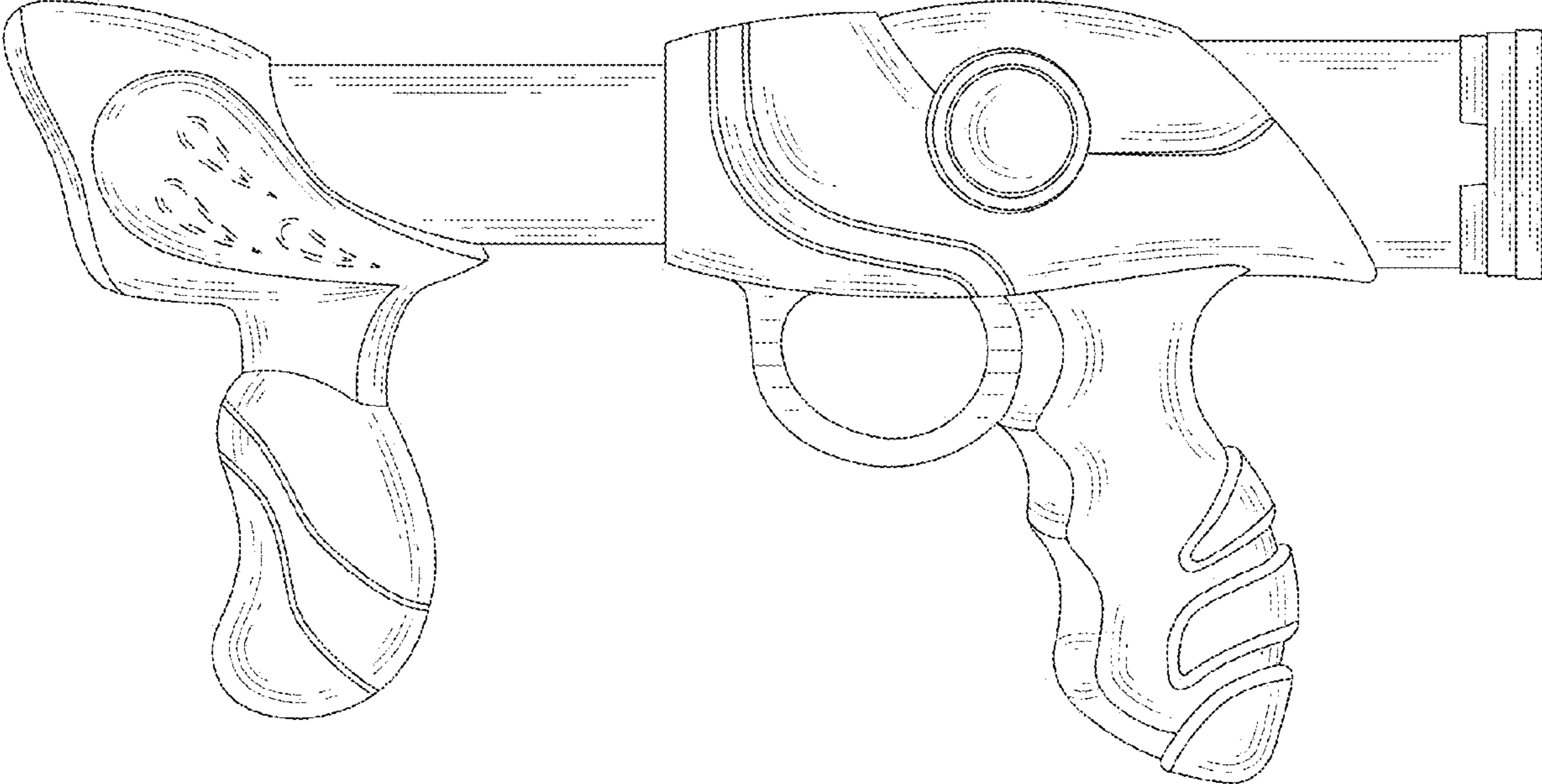


FIG.3

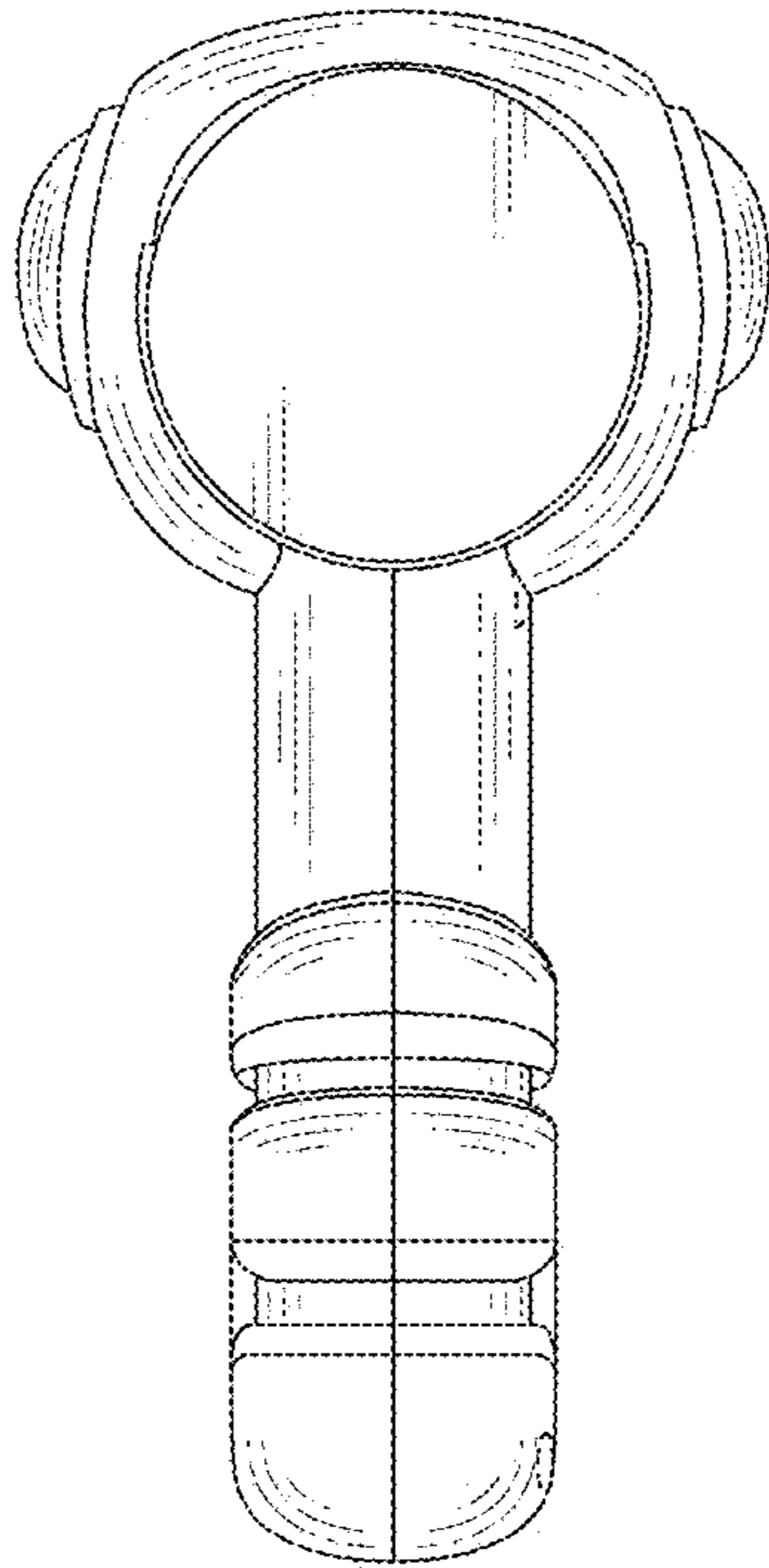


FIG.4

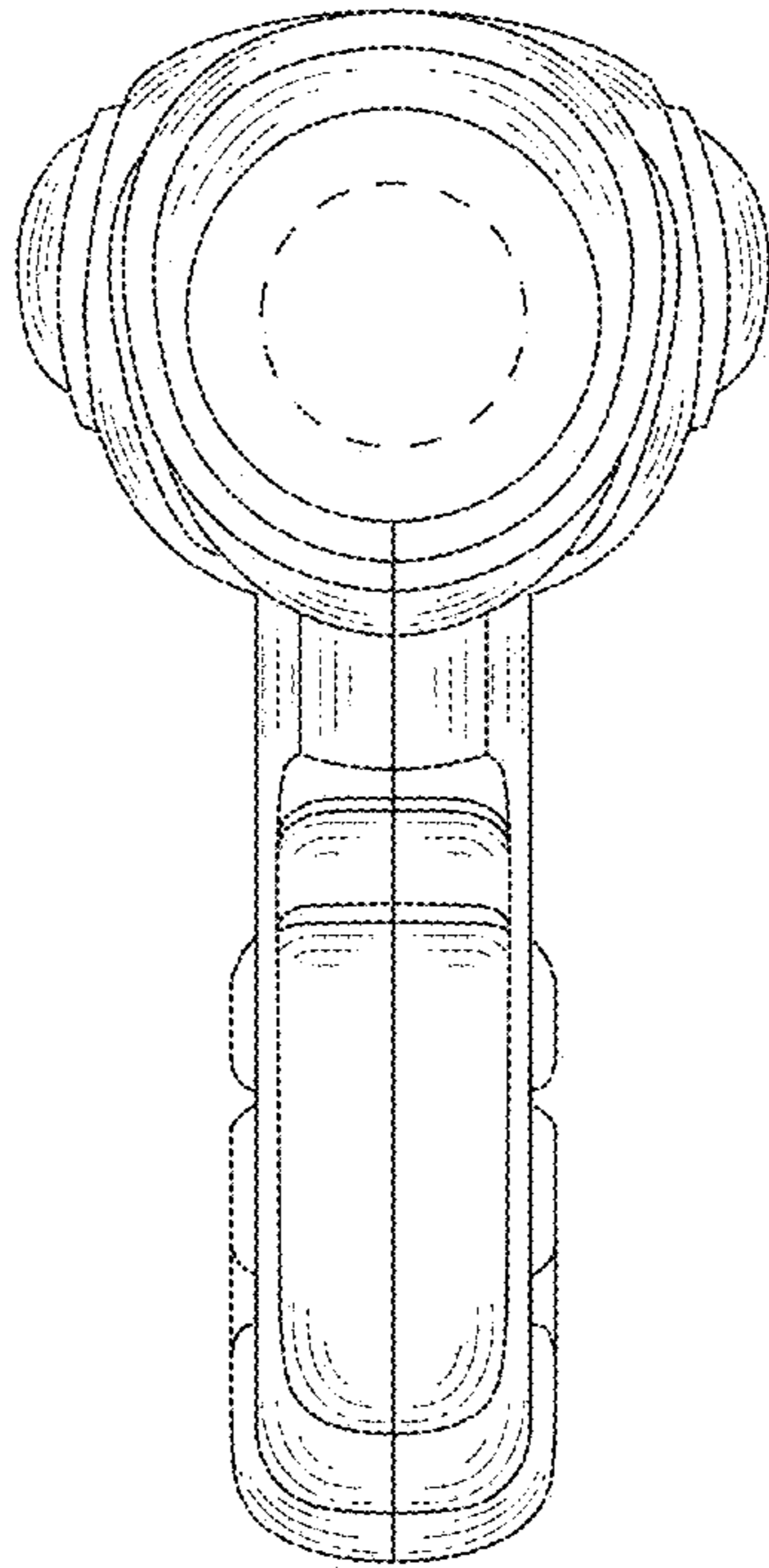


FIG.5

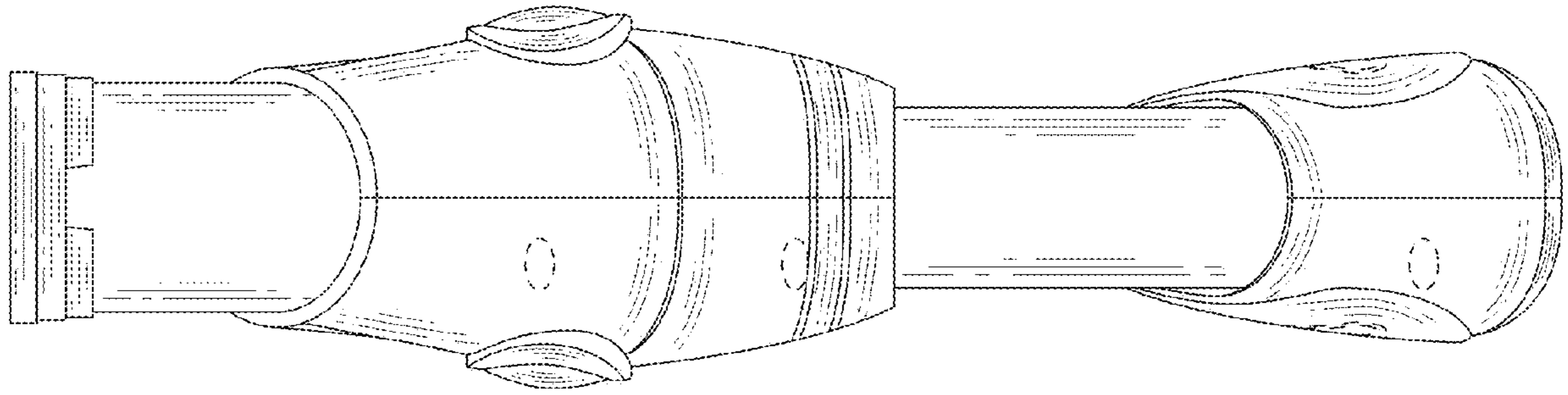


FIG.6

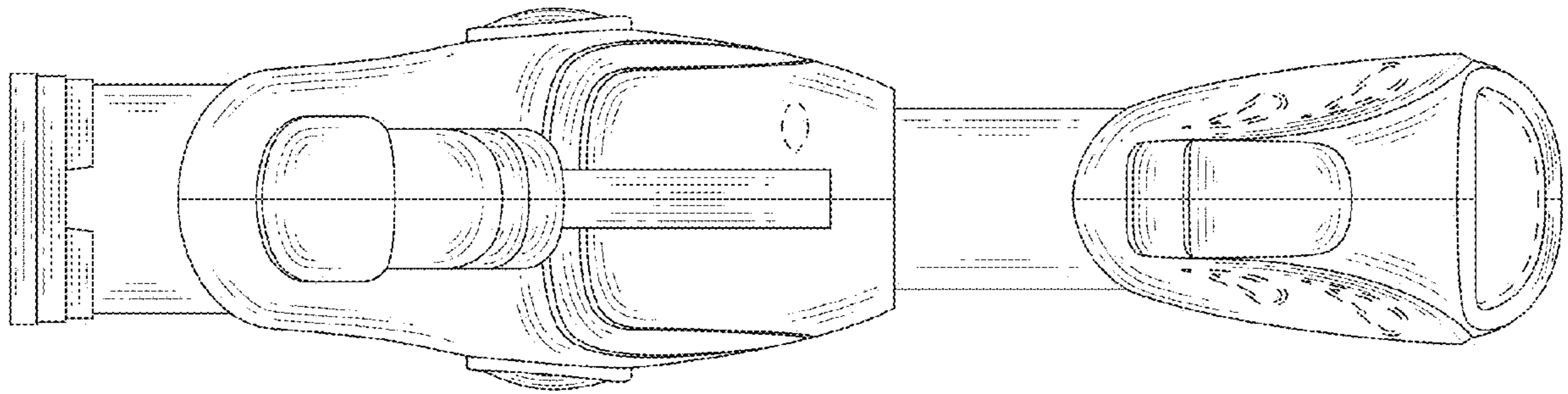


FIG.7