



US00D947957S

(12) **United States Design Patent** (10) **Patent No.:** **US D947,957 S**
Ewing et al. (45) **Date of Patent:** **** Apr. 5, 2022**

(54) **MODEL VEHICLE UPPER SUSPENSION ARM**

amazon.com/Traxxas-7729-X-Maxx-Upper-Suspension/dp/B01A6Z068O/ (Year: 2016).*

(71) Applicant: **TRAXXAS LP**, McKinney, TX (US)

(Continued)

(72) Inventors: **Adam Cole Ewing**, McKinney, TX (US); **Otto Karl Allmendinger**, Rowlett, TX (US); **Terry Soward**, Van Alstyne, TX (US)

Primary Examiner — Eric L Goodman

Assistant Examiner — Sarah L Smith

(74) *Attorney, Agent, or Firm* — Daryl R. Wright; Greg Carr

(73) Assignee: **TRAXXAS LP**, McKinney, TX (US)

(**) Term: **15 Years**

(57) **CLAIM**

(21) Appl. No.: **29/716,710**

We claim the ornamental design for a model vehicle upper suspension arm, as shown and described.

(22) Filed: **Dec. 11, 2019**

(51) **LOC (13) Cl.** **21-01**

(52) **U.S. Cl.**
USPC **D21/562**

DESCRIPTION

(58) **Field of Classification Search**
USPC D21/533, 562, 548, 549, 550, 551, 552, D21/561; D12/159, 160

(Continued)

FIG. 1 is an upper, left, front perspective view of a model vehicle upper suspension arm showing our new design; FIG. 2 is a front elevation view thereof; FIG. 3 is a rear elevation view thereof; FIG. 4 is a left side elevation view thereof; FIG. 5 is a right side elevation view thereof; FIG. 6 is an upper plan view thereof; FIG. 7 is a bottom plan view thereof; FIG. 8 is a bottom, right, rear perspective view thereof; and, FIG. 9 is an upper, left, front perspective view of the model vehicle upper suspension arm from a different angle than FIG. 1.

(56) **References Cited**

U.S. PATENT DOCUMENTS

313,392 A * 3/1885 Vaughn B60G 7/001
280/124.121
433,830 A * 8/1890 Storey B60G 7/001
280/124.121

(Continued)

In the drawings, the broken lines illustrate portions of the model vehicle upper suspension arm that form no part of the claimed design.

FOREIGN PATENT DOCUMENTS

CN 303934565 * 11/2016
CN 303934566 11/2016

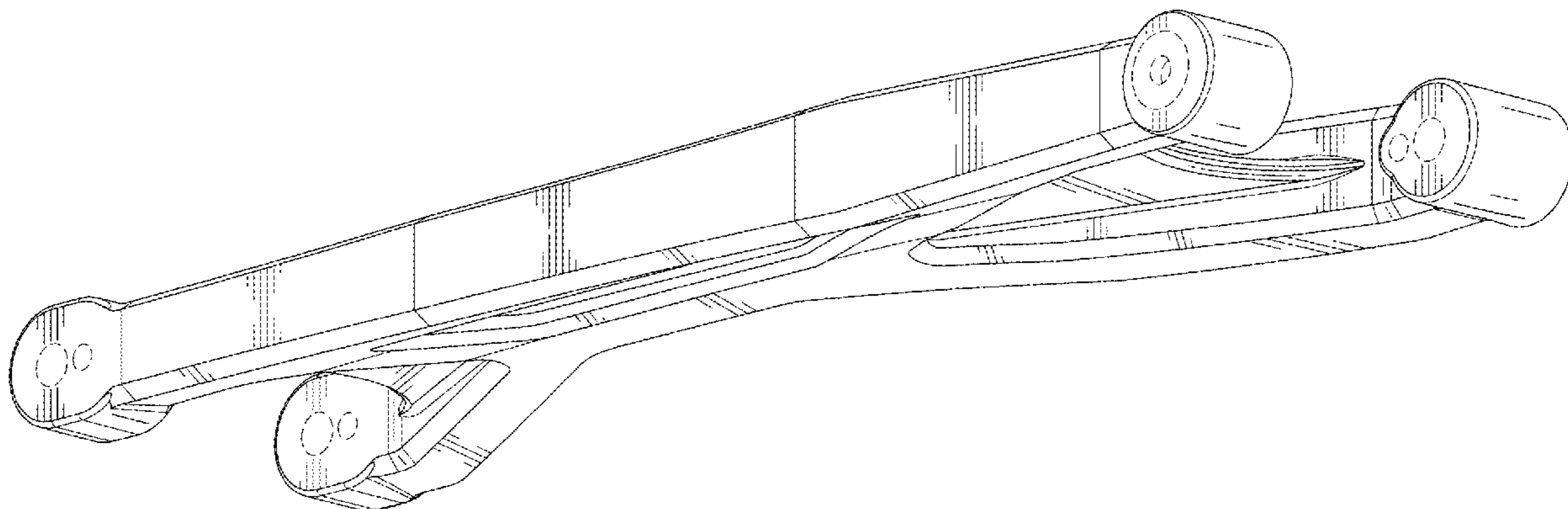
(Continued)

In the drawings, only the first embodiment of the model vehicle upper suspension arm is shown. The second embodiment of the claimed design is a right model vehicle upper suspension arm which is a mirror image of the left model vehicle upper suspension arm disclosed in the first embodiment.

OTHER PUBLICATIONS

“Traxxas 7729 X-Maxx Upper Suspension Arms (pair),” Jan. 5, 2016, amazon.com, site visited Dec. 14, 2021, URL: <https://www.amazon.com/Traxxas-7729-X-Maxx-Upper-Suspension/dp/B01A6Z068O/>

1 Claim, 7 Drawing Sheets



US D947,957 S

(58)	Field of Classification Search CPC A63H 17/262; B60G 7/001; B60G 2206/124; B60G 2200/144; B60G 11/16; B60G 2300/20; B60G 2204/1244; B60G 2206/16 See application file for complete search history.	5,004,257 A 5,080,389 A 5,108,126 A D335,851 S D337,555 S 5,284,353 A 5,288,101 A 5,332,255 A 5,516,130 A 5,522,281 A 5,603,583 A D385,835 S *	4/1991 1/1992 4/1992 5/1993 7/1993 2/1994 2/1994 7/1994 5/1996 6/1996 2/1997 11/1997	MacIsaac Kawano et al. Banse Lofy McNab et al. Shinji et al. Minnett Velazquez Mitchell Herman Jackson Webster B60G 3/26 D12/159
(56)	References Cited U.S. PATENT DOCUMENTS			
	D31,946 S 12/1899 Stanley et al. D31,948 S 12/1899 Stanley et al. D32,661 S 5/1900 Morgan et al. D34,327 S * 4/1901 Lane et al. D12/159 D34,632 S 6/1901 Warner D46,086 S 7/1914 Clark 1,135,577 A 4/1915 Hague 1,647,438 A 11/1927 De Ram 1,695,379 A 12/1928 Keck 1,998,477 A 4/1935 Wikander 2,000,255 A * 5/1935 Rivard B60G 7/001 267/246 2,111,696 A * 3/1938 Sherman B60G 11/16 280/788 2,123,681 A 7/1938 Willgoos 2,126,085 A 8/1938 Balz 2,131,661 A 9/1938 Heyermans et al. 2,148,177 A * 2/1939 Sherman B60G 11/16 267/254 2,153,083 A 4/1939 Griswold 2,186,065 A 1/1940 Fischer 2,219,361 A 10/1940 Haberstump 2,232,397 A 2/1941 Leighton 2,264,174 A 11/1941 Crump et al. 2,298,585 A 10/1942 Phelps 2,580,559 A 1/1952 Kolbe 2,624,592 A 1/1953 Macpherson 2,643,110 A 6/1953 Gregoire 2,678,803 A 5/1954 Wilkerson 2,707,100 A 4/1955 Schilberg 2,718,409 A 9/1955 Kishline et al. 2,776,147 A 1/1957 Bamford 2,852,269 A 9/1958 Gaines 2,913,253 A 11/1959 Taber 2,931,663 A 4/1960 Ferand 2,992,014 A 7/1961 Muller 3,007,728 A 11/1961 Horfman 3,034,810 A 5/1962 Primeau 3,059,950 A 10/1962 Hedges 3,177,004 A 4/1965 Schmidt 3,231,040 A 1/1966 Blanchette 3,410,575 A 11/1968 Turnbull et al. 3,448,991 A 6/1969 Leggett 3,545,125 A 12/1970 Okuma 3,583,052 A 6/1971 Herbenar et al. 3,591,198 A 7/1971 Brando 3,632,127 A 1/1972 Grosseau 3,671,694 A 6/1972 Masuda 3,721,455 A 3/1973 Blanton 3,727,938 A 4/1973 Goodbary et al. 3,738,631 A 6/1973 Haley 3,787,073 A 1/1974 Lievore 3,938,822 A 2/1976 Guerriero D262,959 S 2/1982 Cowan 4,470,611 A 9/1984 Duphily et al. D277,952 S 3/1985 Nakano et al. 4,534,575 A 8/1985 Grove et al. 4,537,420 A * 8/1985 Ito B60G 3/26 280/124.128 4,546,997 A 10/1985 Smyers D281,772 S 12/1985 Heideman et al. 4,706,989 A 11/1987 Iijima et al. 4,786,075 A 11/1988 Takahashi 4,807,901 A 2/1989 Kondo D304,473 S * 11/1989 Poulsen D21/561 4,881,752 A 11/1989 Tanaka 4,955,634 A 9/1990 Smith	5,682,849 A 5,692,853 A 5,774,984 A 5,816,357 A 5,839,742 A 5,845,926 A 5,915,727 A 5,934,696 A 5,938,219 A 5,992,863 A 6,076,840 A 6,142,268 A D435,236 S 6,170,838 B1 6,206,392 B1 6,478,655 B2 6,550,796 B2 D475,001 S 6,595,714 B2 6,641,457 B1 6,655,118 B1 6,668,779 B2 6,685,203 B1 6,698,963 B1 6,702,307 B2 6,719,313 B2 6,752,411 B2 6,761,372 B2 6,767,021 B2 6,881,122 B2 6,929,273 B2 6,932,366 B2 6,945,843 B1 6,968,931 B2 7,152,866 B2 7,185,902 B1 7,367,573 B2 D622,642 S * 7,883,099 B2 7,887,074 B2 8,549,752 B1 D785,513 S D788,653 S D827,054 S * D828,460 S D839,363 S * 10,266,025 B2 D852,095 S D853,938 S D856,432 S D865,079 S * 10,435,075 B2 D867,475 S D871,273 S D875,186 S D902,089 S * D902,090 S * D905,798 S * D905,799 S 2002/0041076 A1 2002/0077025 A1	11/1997 12/1997 7/1998 10/1998 11/1998 12/1998 6/1999 8/1999 8/1999 11/1999 6/2000 11/2000 12/2000 1/2001 3/2001 11/2002 4/2003 5/2003 7/2003 11/2003 12/2003 12/2003 2/2004 3/2004 3/2004 4/2004 6/2004 7/2004 7/2004 4/2005 8/2005 8/2005 9/2005 11/2005 12/2006 3/2007 5/2008 8/2010 2/2011 2/2011 10/2013 5/2017 6/2017 8/2018 9/2018 1/2019 4/2019 6/2019 7/2019 8/2019 10/2019 10/2019 11/2019 12/2019 2/2020 11/2020 11/2020 12/2020 12/2020 4/2002 6/2002	Regueiro Litz et al. Kotani Camlin Holt Davis et al. Bonnville Bloser et al. Hayami et al. Forbes-Robinson et al. Kincaid et al. Kuo-An Hanlon et al. Laurent et al. Siecinski et al. Wu Behr Roll Moore Lai Thompson et al. Hendriksma et al. Bodin et al. Parker et al. Becker et al. Zadok Few Bryant Schnurpel Bloch et al. Dobson et al. Jones et al. Motosko Huisman Chalin et al. Lloyd Kudo et al. Noble D12/160 Byers et al. Byers et al. Byers Park et al. Smith Ewing D21/561 Wood Ewing B60G 11/16 D21/561 Lorenz et al. Walter Smith Ewing et al. Ewing A63H 17/262 D21/561 Lorenz et al. Ewing et al. Bhaskar Ewing et al. Ewing B60G 7/001 D12/159 Ewing B60G 11/16 D21/562 Ewing et al. Becker et al. Wu

(56)

References Cited

U.S. PATENT DOCUMENTS

2002/0125676	A1	9/2002	Bryant	
2003/0107198	A1	6/2003	VanDenberg	
2003/0122336	A1	7/2003	Zadok	
2003/0209217	A1	11/2003	Hendriksma et al.	
2003/0227151	A1	12/2003	Schreiber et al.	
2004/0004335	A1	1/2004	Rudder et al.	
2004/0045518	A1	3/2004	Abe	
2004/0261739	A1	12/2004	Shimizuya	
2005/0040619	A1	2/2005	Melcher	
2005/0156399	A1	7/2005	Chu	
2005/0200096	A1	9/2005	Izquierdo Nunez et al.	
2005/0220535	A1	10/2005	Griffin	
2005/0287921	A1 *	12/2005	Lai	A63H 17/262 446/454
2006/0006622	A1	1/2006	Gesmer et al.	
2006/0246819	A1	11/2006	Byers et al.	
2009/0230650	A1	9/2009	Mayen et al.	
2014/0361507	A1	12/2014	Park et al.	
2016/0068036	A1 *	3/2016	Minoda	B60G 21/055 280/124.109
2016/0318362	A1	11/2016	Watanabe et al.	
2017/0050483	A1	2/2017	Gordon et al.	
2017/0050485	A1	2/2017	Eleazar	
2017/0274932	A1	9/2017	Byrnes, Jr.	
2018/0065465	A1	3/2018	Ward et al.	
2018/0111433	A1	4/2018	Compigne et al.	
2018/0326843	A1	11/2018	Danielson et al.	
2018/0370310	A1	12/2018	Becker et al.	
2019/0070919	A1	3/2019	Andou et al.	
2019/0143871	A1	5/2019	Weber et al.	
2019/0145465	A1	5/2019	Olason	
2019/0217894	A1	7/2019	Upah et al.	
2019/0225042	A1	7/2019	Upah et al.	
2019/0241035	A1	8/2019	Wolf-Monheim	
2019/0283516	A1	9/2019	Gordon et al.	
2019/0285131	A1	9/2019	Garrett	
2019/0315174	A1	10/2019	Kwon et al.	
2019/0367117	A1	12/2019	Fischer et al.	
2020/0324599	A1	10/2020	Frenzel et al.	

FOREIGN PATENT DOCUMENTS

CN	304279714	9/2017		
CN	304762592	8/2018		
CN	304904482	11/2018		
DE	2137757	A1	2/1973	
DE	3622552	A1	1/1988	
DE	102006060897	A1 *	6/2008 B60G 7/001
DE	102007055683	A1	5/2009	
DE	102007055683	A1 *	5/2009 B60G 11/36
DE	202018103151	U1	6/2018	
EM	002601971-0003		1/2015	
EP	0070025	A2	1/1983	
EP	3271195	B1	5/2019	
FR	2957324	A1	9/2011	
GB	9005431038-0004	*	7/2018	
KR	20080042707	A	5/2008	
WO	2010066226	A1	6/2010	
WO	WO-2010066226	A1 *	6/2010 B60G 7/001
WO	D095551-009		4/2017	
WO	D095551-010	*	4/2017	
WO	2021046302	A1	3/2021	

OTHER PUBLICATIONS

“Team Integy C26836SILVER Upper Suspension Arm X-Ma,” Apr. 19, 2017, amainhobbies.com, site visited Dec. 14, 2021, URL: <https://www.amainhobbies.com/team-integy-c26836silver-upper-suspension-arm-xma-intc26836silver/p-quaxtarqpc2xactz> (Year: 2017).* Traxxas 7729 X-Maxx Upper Suspension Arms (pair), Earliest available date Jan. 5, 2016 [Online], [Site Visited Oct. 23, 2020] Available From Internet, URL: <https://www.amazon.com/Traxxas-7729-X-Maxx-Upper-Suspension/dp/B01A6Z0680> (Year: 2016).

Traxxas X-Maxx 8s F/R Left Lower Suspension Arm (1), Tin-Eye date May 26, 2017 [Online], [Site Visited Oct. 23, 2020] Available From Internet, URL: <https://www.modelsport.co.uk/traxxas-x-maxx-8s-f-r-left-lower-suspension-arm-1/rc-car-products/396018> (Year: 2017).

Traxxas 7831G Suspension arm lower left F orR Green X-Maxx series, Earliest available date Oct. 15, 2020 [Online], [Site Visited Oct. 23, 2020] Available From Internet, URL: <https://www.ebay.com/itm/Traxxas-7831G-Suspension-arm-lower-left-F-orR-Green-X-Maxx-series-Heavy-Duty-New/402480149730?epid=20038117293&hash=item5db5afb4e2:g:lt4AAOSw9she7BMU> (Year: 2020).

Stephen Mitchell, “Awesome Part Replacement,” Mar. 25, 2018 (review with photo), amazon.com, site visited Dec. 14, 2021, URL: <https://www.amazon.com/dp/B01DUCYDZC/> (Year: 2018).

“Traxxas Heavy Duty Suspension Arms (Blue),” Feb. 15, 2019, amainhobbies.com, site visited Dec. 14, 2021, URL: <https://www.amainhobbies.com/traxxas-heavy-duty-suspension-arms-blue-tra3655p/p-qezltakq7z2xactz> (Year: 2019).

“Traxxas Suspension arms, red,” Jun. 23, 2019, amazon.com, site visited Dec. 14, 2021, URL: https://www.amazon.ca/Traxxas-Suspension-Front-Weather-Material/dp/B07MXP4DTP/ref=sr_1_5?keywords=traxxas+suspension+arms&qid=16395102838sr=8-5 (Year: 2019).

Saladee, Cyrus W., U.S. Pat. No. 197,670, Patented Nov. 27, 1877. “Xray XB2 Right Rear Composite Suspension Arm (Hard),” Jan. 12, 2016, amainhobbies.com, site visited Dec. 14, 2021, URL: <https://www.amainhobbies.com/xray-xb2-right-rear-composite-suspension-arm-hard-xra323110-h/p-qeazlzuq7b2xactz> (Year: 2016).

“Traxxas X-Maxx Right Lower Suspension Arm,” Jan. 15, 2016, amainhobbies.com, site visited Dec. 14, 2021, URL: <https://www.amainhobbies.com/traxxas-xmaxx-right-lower-suspension-arm-tra7730/p-qeazt2qa7czxactz> (Year: 2016).

“Traxxas 7730 X-Maxx Lower Suspension Arm,” Mar. 24, 2016, amazon.com, site visited Dec. 14, 2021, URL: https://www.amazon.ca/Traxxas-7730-X-Maxx-Lower-Suspension/dp/B01A6YD1UU/ref=sr_1_10?keywords=traxxas+suspension+arms&qid=1639510580&sr=8-10 (Year: 2016).

Storey, Thomas J., U.S. Pat. No. 433,830, Patented Aug. 5, 1890. Associated Electrics, “Monster GT” model truck; Associated Electrics, Inc., Costa Mesa, California, 1 photograph.

Associated Electrics, “RC10GT” model vehicle; Associated Electrics, Inc., Costa Mesa, California, 1 photograph.

Bradley, John; “The Racing Motorcycle”; 1996, pp. 246-273, 322-325; Broadland Leisure Publications, England.

Horizon Hobby, “Losi XXX buggy”; Horizon Hobby, Inc., Champaign, Illinois; 1 sketch of suspension geometry.

HPI Racing, “Savage 21” model truck; Hobby Products International, Foothill Ranch, California; 1 sketch of suspension geometry. HYPERPRO_USA; “What is Progressive Suspension?” HyperPRO_USA.com.

KYOSHO Inferno MP7.5 model car; Kyosho America, Lake Forest, California; 2 sketches of suspension geometry.

Mulliken, William F. and Milliken, Douglas L.; “Race Car Vehicle Dynamics” 1995, pp. 580-583, 595-597, 628-631; SAE Publications Group, Pennsylvania USA.

Race Tech, “Profile—Chalmers Formula SAE Car” Race Tech magazine, Oct./Nov. 2003, p. 74; Racecar Graphic Ltd, London, England.

Racecar Engineering, Jun. 2003—vol. 13 No. 06, pp. 15, 106; Country & Leisure Media Ltd./IPC Media Ltd., Croydon, England. Serpent, Vetec; Serpent Model Racing Cars, Noord-Holland, Netherlands; 3 pictures.

Serpent, Vetec; Serpent Model Racing Cars, Noord-Holland, Netherlands; 1 sletch of suspension geometry.

Staniforth, Allan; “Competition Car Suspension” 1988, pp. 76-81, 84-85; Haynes Publications, Newbury Park, California.

Tamiya, “Terra Crusher” model truck; Tamiya America, Inc., Aliso Viejo, California; 1 sketch of suspension geometry.

Traxxas LP; “T-Maxx Assemblies, Front Assembly” exploded view; Traxxas LP, Plano, Texas.

Traxxas, “Nitro Rustler” model vehicle; Traxxas LP, Plano, Texas; 1 photograph.

(56)

References Cited

OTHER PUBLICATIONS

Traxxas, "T-Maxx" model vehicle; Traxxas LP, Plano, Texas; 1 photograph.

Full size vehicle with suspension linkage #1.

Full size vehicle with suspension linkage #2.

Chassis Shop, "Tube Adapters" Catalog pp. 46-51, Chassis Shop Performance Products, Mears, MI, USA.

Coleman Racing, "Hex Trailing Arm" web pages: http://www.colemanracing.com/catalog/index.php?cPath=49_1024 http://www.colemanracing.com/catalog/product_info.php?cPath=49_1024&products_id=4714 Coleman Racing, Memominee, MI, USA.

Traxxas, "T-Maxx Rear Assembly" exploded view drawing; Traxxas LP, Plano, TX, USA.

Aerosticks, 2 pages photographs, DPD Enterprises, Ventura, CA, USA.

CN-304138171, posted at Orbit.com, publication date May 17, 2017. Site visited Apr. 12, 2019. Available from Internet. (Year: 2017).

CN-304110963, posted at Orbit.com, publication date Apr. 19, 2017. Site visited Apr. 12, 2019. Available from Internet. (Year: 2017).

ARTINCbydb, Traxxas E-Revo Upper/Lower Arm Replacement, posted at YouTube, posting date Feb. 4, 2013. Site visited Apr. 12, 2019. URL: <<https://www.youtube.com/watch?v=fGMtjrezT0>> (Year: 2013).

Traxxas 5331 Right Front Upper & Lower Arms, posted at Amazon, review posted Dec. 30, 2014. Site visited Apr. 12, 2019. URL <<https://www.amazon.com/Traxxas-Right-Front-Upper-Suspension/dp/B000BOPT0G>> (Year: 2014).

Granieri, Luigi, U.S. Pat. No. 903,080, Patented Nov. 3, 1908.

Ewing, Hugh, U.S. Pat. No. 951,000, Patented Mar. 1, 1910.

* cited by examiner

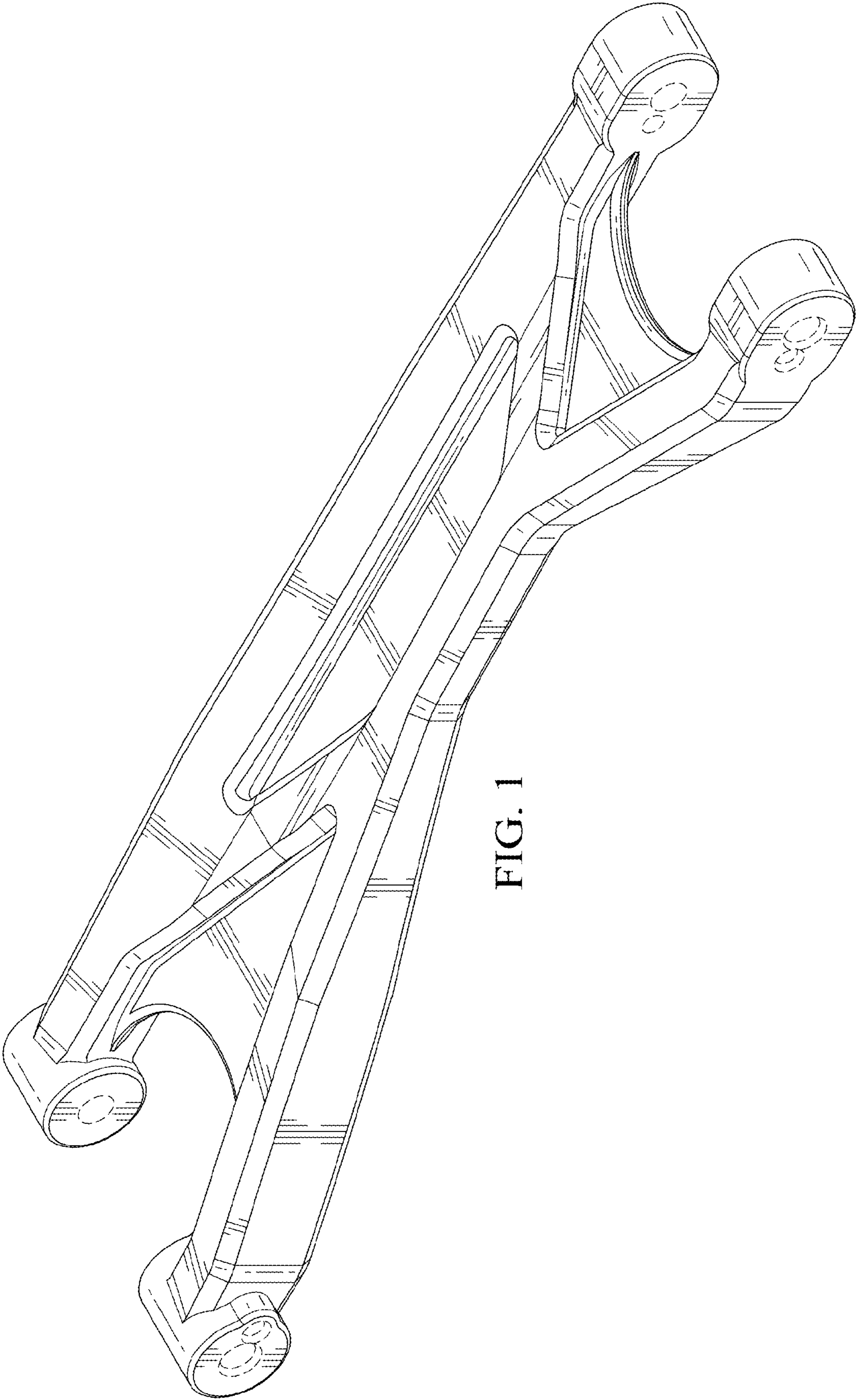


FIG. 1

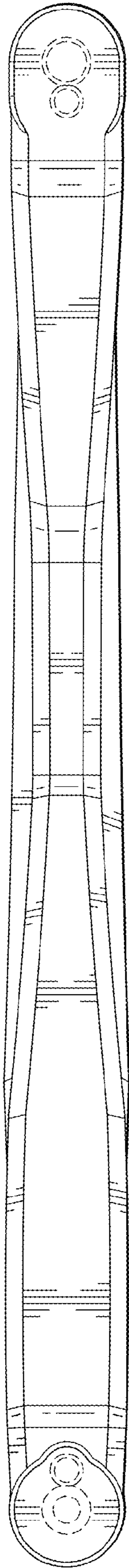


FIG. 2

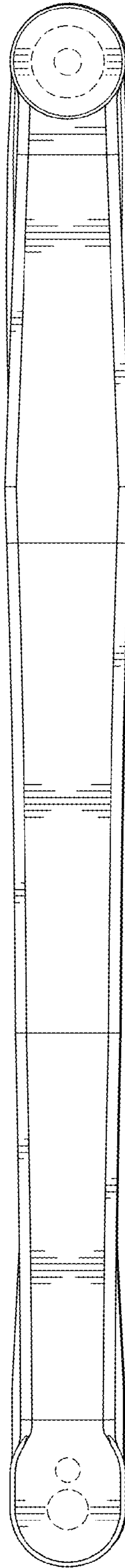


FIG. 3

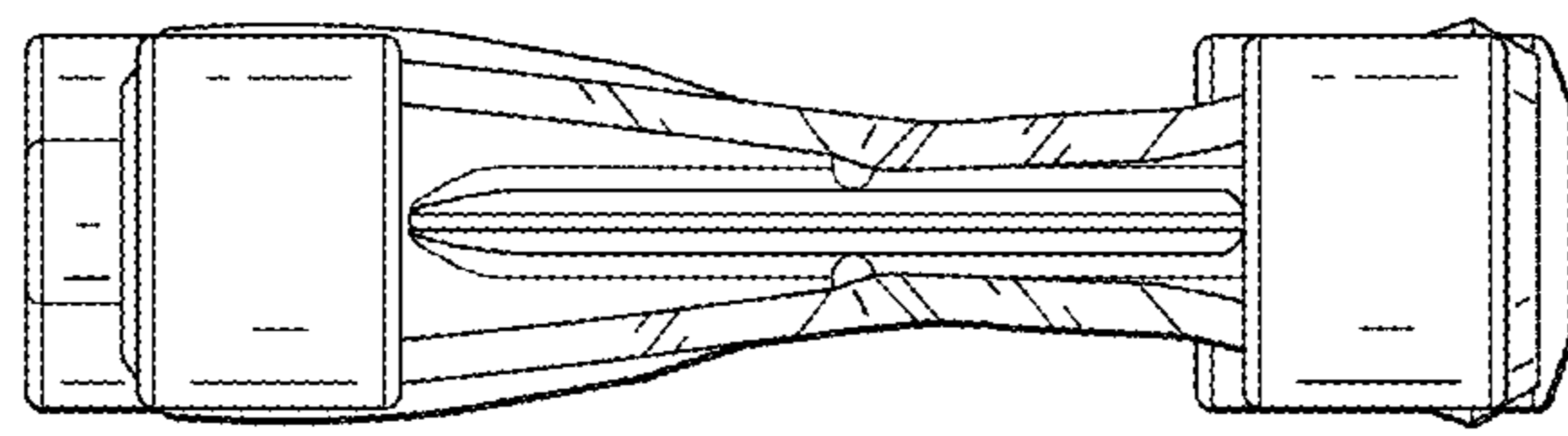


FIG. 4

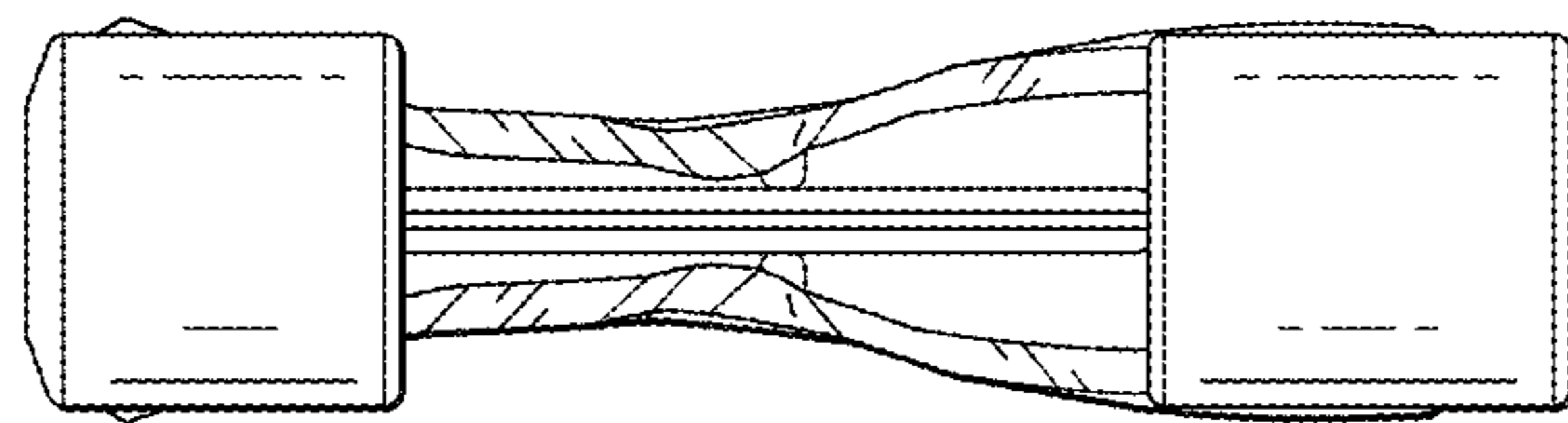


FIG. 5

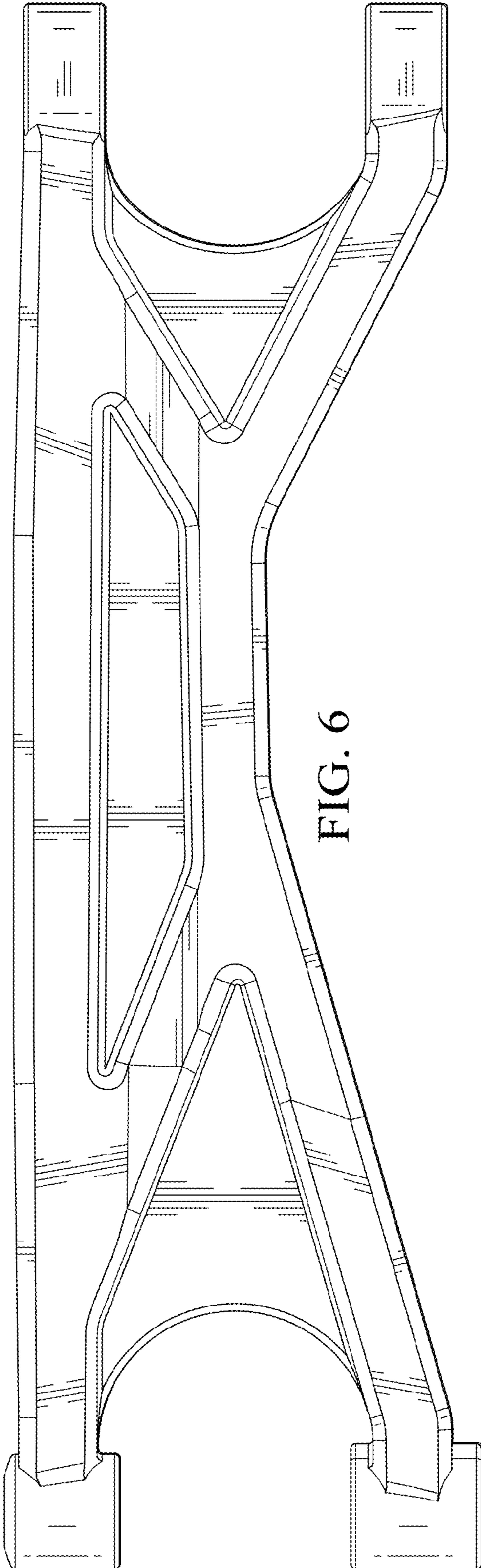


FIG. 6

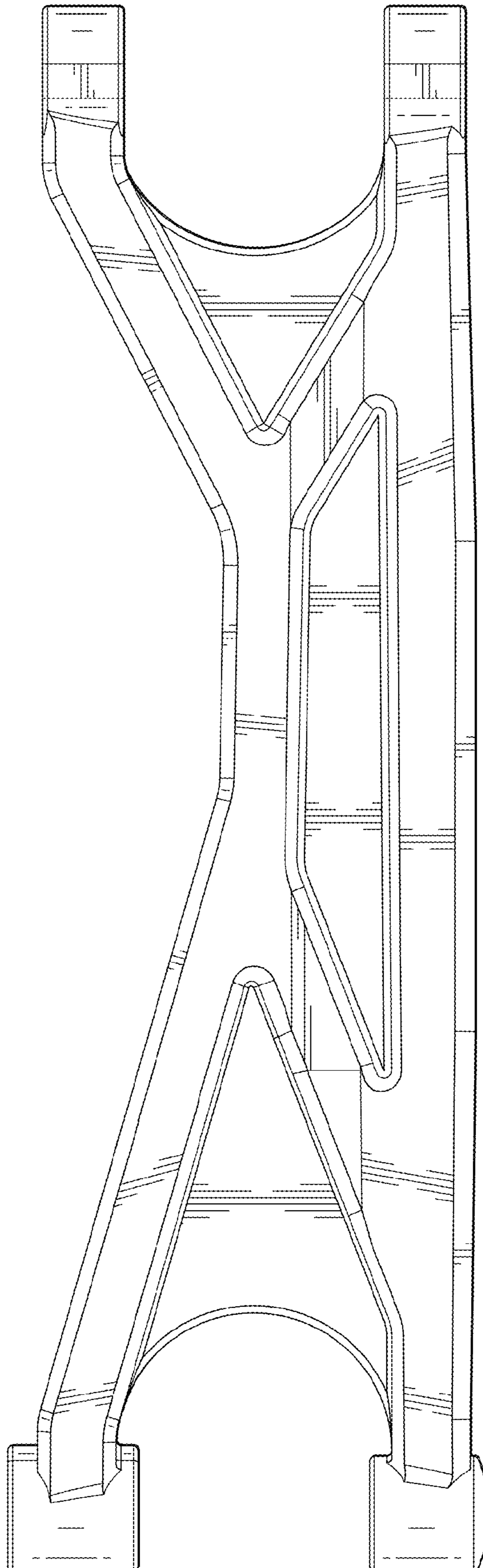


FIG. 7

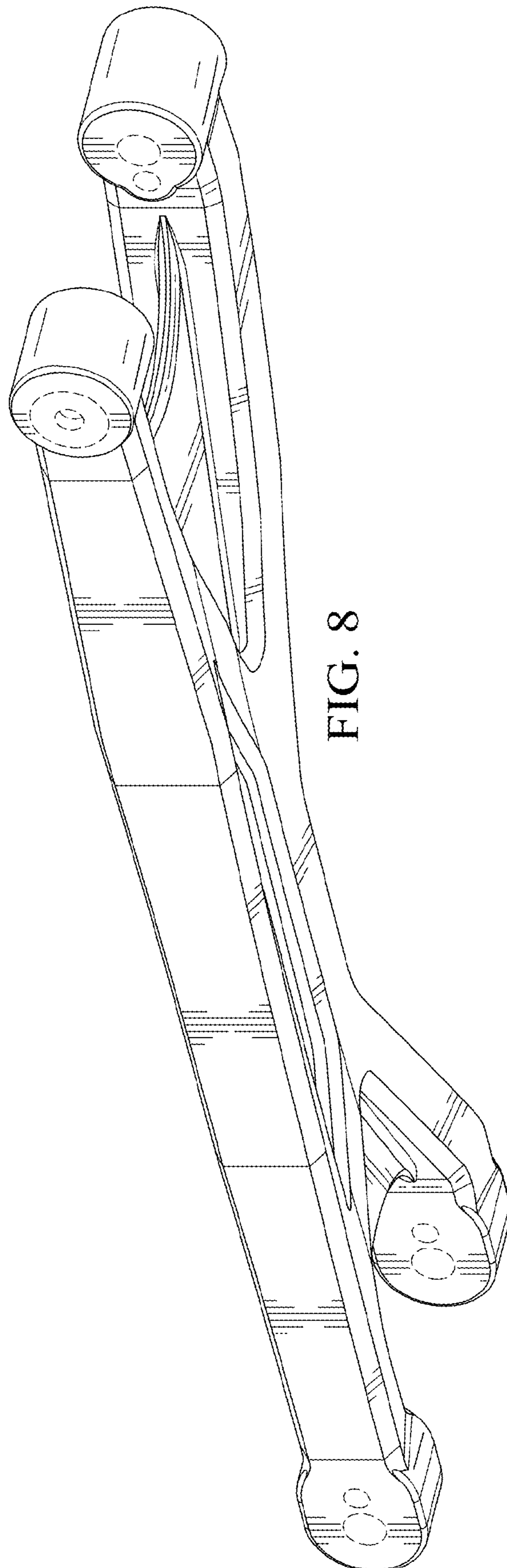


FIG. 8

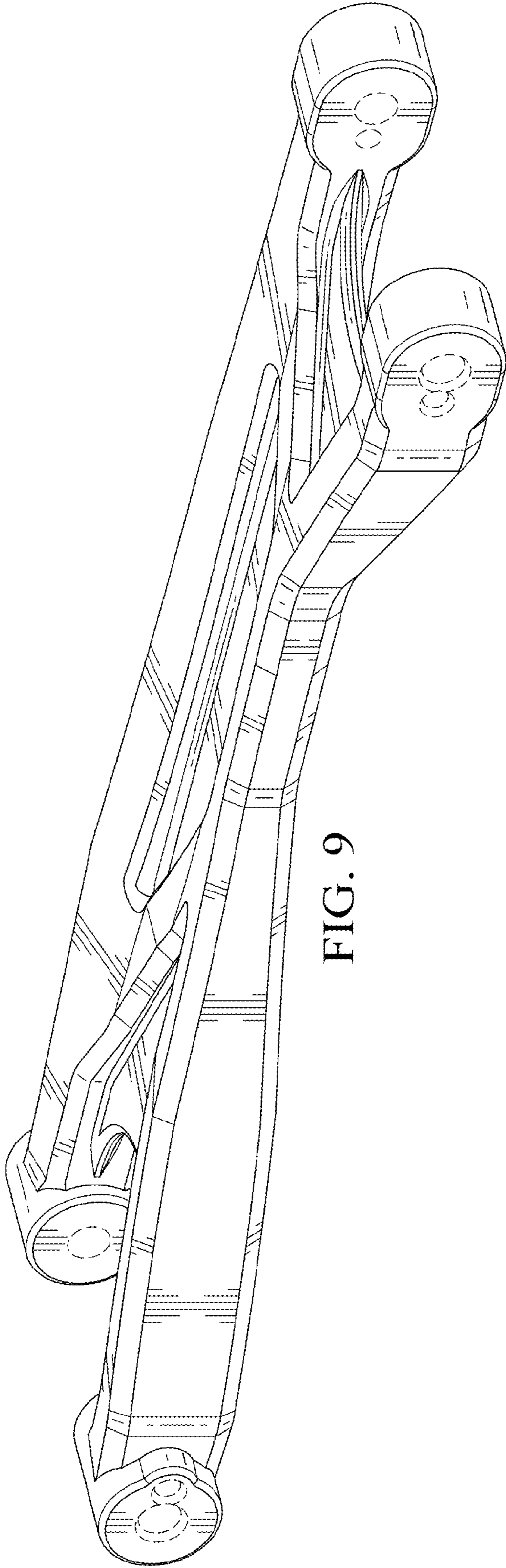


FIG. 9