



US00D947955S

(12) **United States Design Patent** (10) **Patent No.:** **US D947,955 S**
Barajas et al. (45) **Date of Patent:** **** *Apr. 5, 2022**

(54) **MODEL VEHICLE BODY**
(71) Applicant: **TRAXXAS LP**, McKinney, TX (US)
(72) Inventors: **Jaime Felix Barajas**, Dallas, TX (US);
Adam Cole Ewing, McKinney, TX (US); **Kent Poteet**, Lucas, TX (US);
Otto Karl Allmendinger, Rowlett, TX (US)

D288,681 S 3/1987 Telnack
D293,310 S 12/1987 Clark et al.
D293,564 S 1/1988 Mayhew et al.
(Continued)

FOREIGN PATENT DOCUMENTS

CN 301174042 * 4/2010
CN 301824839 * 2/2012 B60G 7/001
(Continued)

(73) Assignee: **TRAXXAS LP**, McKinney, TX (US)
(*) Notice: This patent is subject to a terminal disclaimer.

OTHER PUBLICATIONS

“Traxxas,” Nov. 4, 2018, facebook.com, site visited Dec. 14, 2021,
URL: <https://www.facebook.com/traxxas/photos/1942223339159017>
(Year: 2018).*
(Continued)

(**) Term: **15 Years**
(21) Appl. No.: **29/730,219**
(22) Filed: **Apr. 2, 2020**
(51) **LOC (13) Cl.** **21-01**
(52) **U.S. Cl.**
USPC **D21/552**; D21/562
(58) **Field of Classification Search**
USPC D21/433, 552, 562, 548; D12/86, 89, 90,
D12/91, 92, 93, 98
CPC A63H 17/004; A63H 17/00; A63H 17/262;
A63H 30/04; A63H 30/00
See application file for complete search history.

Primary Examiner — Eric L Goodman
Assistant Examiner — Sarah L Smith
(74) *Attorney, Agent, or Firm* — Daryl R. Wright; Greg Carr

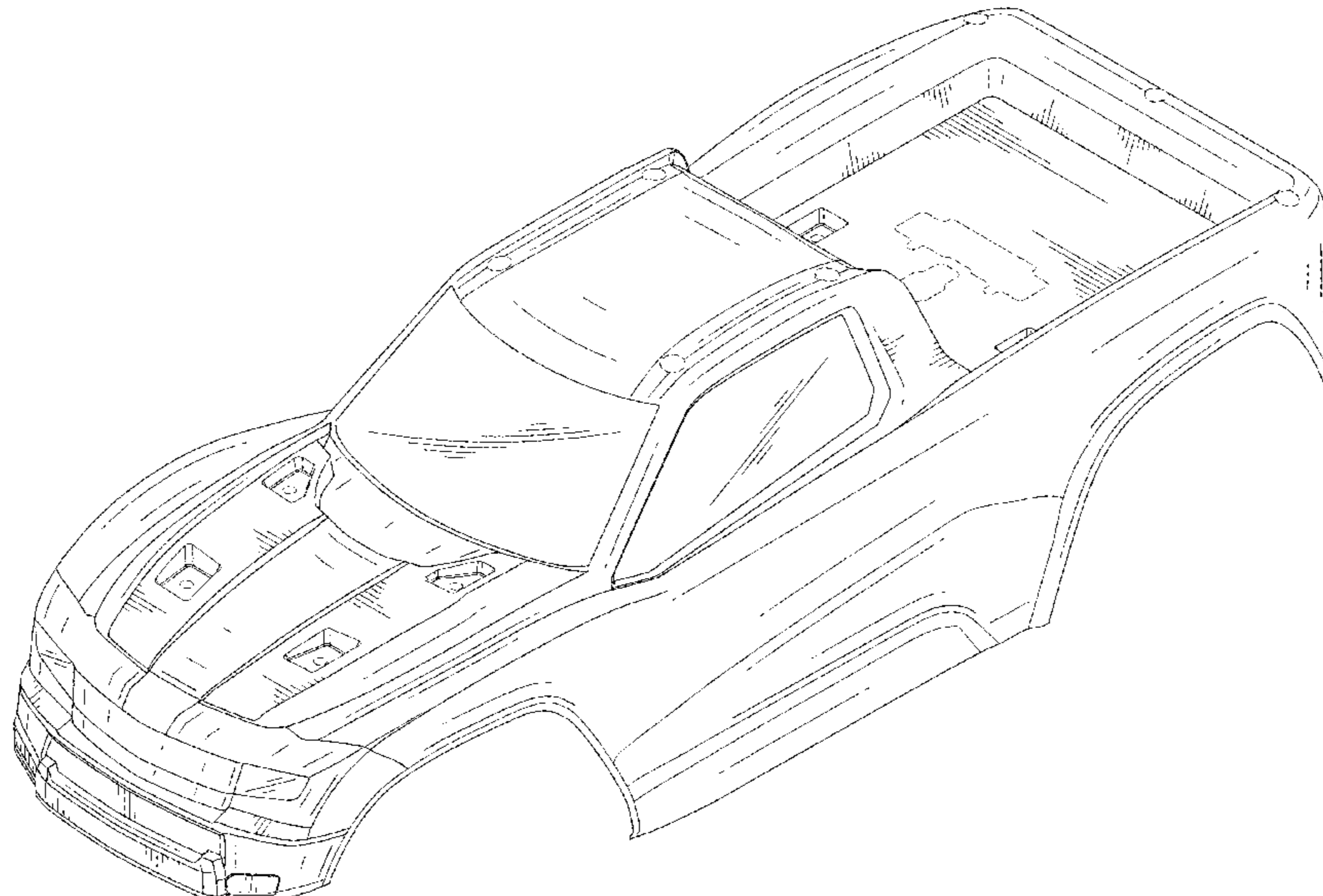
(57) **CLAIM**
We claim the ornamental design for a model vehicle body,
as shown and described.

DESCRIPTION

FIG. 1 is an upper, left, front perspective view of a model vehicle body showing our new design;
FIG. 2 is a front elevation view thereof;
FIG. 3 is a rear elevation view thereof;
FIG. 4 is a left side elevation view thereof;
FIG. 5 is a right side elevation view thereof;
FIG. 6 is an upper plan view thereof;
FIG. 7 is a lower plan view thereof; and,
FIG. 8 is an upper, right, rear perspective view of the model vehicle body.
In the drawings, the broken lines illustrate portions of the model vehicle body that form no part of the claimed design.

(56) **References Cited**
U.S. PATENT DOCUMENTS
D203,841 S 2/1966 Power
3,464,153 A 9/1969 Small
3,537,210 A 11/1970 Ieda
D243,595 S 3/1977 Belz
D251,725 S 5/1979 Cesaro
D253,406 S 11/1979 Carabetta
D254,128 S 2/1980 Carabetta
D277,494 S 2/1985 Lerch
D281,000 S 10/1985 Kuna et al.

1 Claim, 6 Drawing Sheets



(56)

References Cited

U.S. PATENT DOCUMENTS

D307,248 S 4/1990 Dettling
 5,102,367 A 4/1992 Mullaney et al.
 5,228,880 A 7/1993 Meyer et al.
 5,334,078 A 8/1994 Hippely et al.
 D385,245 S 10/1997 Gallitzendoerfer et al.
 D404,691 S 1/1999 Gerisch et al.
 D425,141 S 5/2000 Park
 D458,188 S 6/2002 Wyszogrod et al.
 D466,451 S 12/2002 Trostle et al.
 D496,409 S 9/2004 Tilbor
 D529,967 S 10/2006 Bowen et al.
 D538,861 S 3/2007 Takahashi
 7,217,170 B2 5/2007 Moll et al.
 D547,249 S 7/2007 Kurtz et al.
 D550,311 S 9/2007 Chen
 D566,788 S 4/2008 Pasko
 D566,789 S 4/2008 Idiot
 D566,790 S * 4/2008 Idiot A63H 17/262
 D21/552
 D567,301 S 4/2008 Idiot
 7,387,558 B2 6/2008 Swisher et al.
 D579,823 S 11/2008 Choi
 D592,256 S 5/2009 Yaguchi
 D593,163 S 5/2009 Torres et al.
 D598,811 S 8/2009 Honeycutt et al.
 D603,295 S 11/2009 Honeycutt et al.
 D605,083 S 12/2009 Manoogian, II et al.
 D612,767 S 3/2010 Barkan
 D617,851 S 6/2010 Stoddard
 D630,971 S 1/2011 Jung
 D671,454 S 11/2012 Davidson et al.
 8,342,904 B2 1/2013 Torres
 D693,737 S 11/2013 Hammoud et al.
 D703,101 S 4/2014 deNatale et al.
 D707,608 S 6/2014 Smith
 D709,007 S 7/2014 Henry et al.
 D709,008 S 7/2014 Brzustowicz et al.
 D709,009 S 7/2014 Brzustowicz et al.
 D728,037 S 4/2015 Barajas et al.
 D740,180 S 10/2015 Agnew et al.
 D740,181 S 10/2015 Agnew et al.
 D741,416 S 10/2015 Barajas et al.
 D741,956 S 10/2015 Barajas et al.
 D769,378 S 10/2016 Belker et al.
 D770,339 S 11/2016 Lindsey
 D770,350 S 11/2016 Lindsey
 D770,575 S 11/2016 Belker et al.
 D771,202 S 11/2016 Gan
 D771,203 S 11/2016 Gan
 D792,526 S 7/2017 Belker et al.
 D802,685 S * 11/2017 Barajas D21/562
 D826,341 S 8/2018 Poteet et al.
 D826,342 S 8/2018 Poteet et al.
 D826,343 S 8/2018 Poteet et al.
 D827,056 S 8/2018 Poteet et al.
 D832,368 S * 10/2018 Barajas D21/561
 D841,743 S 2/2019 Barajas et al.
 D842,386 S 3/2019 Barajas et al.
 D842,387 S 3/2019 Barajas et al.
 D847,724 S * 5/2019 Sprowl D12/401
 D862,610 S * 10/2019 Barajas D21/548
 D862,611 S * 10/2019 Barajas D21/548
 D865,569 S 11/2019 Jeung et al.
 D869,570 S 12/2019 Barajas

D870,211 S 12/2019 Wozniak
 D870,824 S 12/2019 Barajas et al.
 D875,647 S * 2/2020 Barajas D12/548
 D876,555 S * 2/2020 Barajas D21/548
 D879,212 S 3/2020 Barajas et al.
 D904,531 S * 12/2020 Barajas D21/552
 D921,772 S * 6/2021 Hagler D21/561
 D921,773 S * 6/2021 Hagler D21/561
 D930,087 S * 9/2021 Barajas D21/562
 D930,760 S * 9/2021 Ewing D21/562
 D931,385 S * 9/2021 Sprowl A63H 31/08
 D21/561
 D935,531 S * 11/2021 Barajas A63H 17/262
 D21/548
 2012/0094574 A1 * 4/2012 Grisolia A63H 17/262
 446/437
 2016/0038846 A1 * 2/2016 Colquhoun A63H 17/262
 446/465
 2017/0080350 A1 * 3/2017 Allmendinger A63H 17/26
 2019/0160386 A1 5/2019 Kwan
 2021/0046395 A1 * 2/2021 Allmendinger A63H 31/08
 2021/0283518 A1 * 9/2021 Wang A63H 18/16

FOREIGN PATENT DOCUMENTS

CN 109621444 A * 4/2019
 GB 9007067137-0003 * 10/2019
 WO D095551-006 * 4/2017
 WO WO-2021046302 A1 * 3/2021 B60G 7/001

OTHER PUBLICATIONS

“Traxxas Maxx 1/10 Brushless RTR 4WD Monster Truck,” Mar. 17, 2020, amainhobbies.com, site visited Dec. 15, 2021, URL: <https://www.amainhobbies.com/traxxas-maxx-1-10-brushless-rtr-4wd-monster-truck-red-tra89076-4-redx/p-qqqvt2kqymzeqctz> (Year: 2020).
 Redcat Racing R180-BL Rock Crawler Body, May 1, 2015, amazon.com, Sep. 23, 2021, URL: https://www.amazon.com/Redcat-Racing-Rock-Crawler-Scale/dp/B00YBXN5YK/ref=psdc_6925967011_t1_B00N1P7GJE (Year: 2015).
 Hosim RC Car Body Shell SJ02 15-SJ02 for GPTOYS High Speed Monster Truck, Nov. 1, 2016, amazon.com, Sep. 23, 2021, URL: <https://www.amazon.com/15-SJ02-GPTOYS-Monster-Accessory-Supplies/dp/B0140S88TW> (Year 2016).
 Redcat Racing 88030 Truck Body, 1/10 Scale, Nov. 4, 2009, amazon.com, URL: <https://www.amazon.com/Redcat-Racing-Truck-Scale-Black/dp/B002VN41WC> (Year: 2009).
 Hot Wheels Skull Crusher Diecast Toy Car—Race Vehicle by Mattel—Auto Racing Toys Cars Collection, Feb. 22, 2012, [online], [Retrieved on Aug. 10, 2015] URL: <https://www.youtube.com/watch?v=fR1BWC9bqzM>.
 Protoform; Protoform Ford GT 2017; <http://racepf.com/on-road-1-10-1-12/ford-gt-clear-body/>; Sep. 2016.
 Monster truck 3d model, Earliest Available Date Sep. 20, 2019 [Online], [Site Visited Oct. 20, 2020] Available From Internet, URL: <https://www.turbosquid.com/3d-models/monster-truck-3d-model/488288> (Year: 2019).
 Pro-Line Trencher LP 3.8" All Terrain Tires Mounted, Earliest Available Date Oct. 20, 2020 [Online], [Site Visited Oct. 20, 2020] Available From Internet, URL: https://www.rccaraction.com/pro-line-trencher-lp-3-8-terrain-tires-mounted/#visitor_pref_pop (Year: 2020).

* cited by examiner

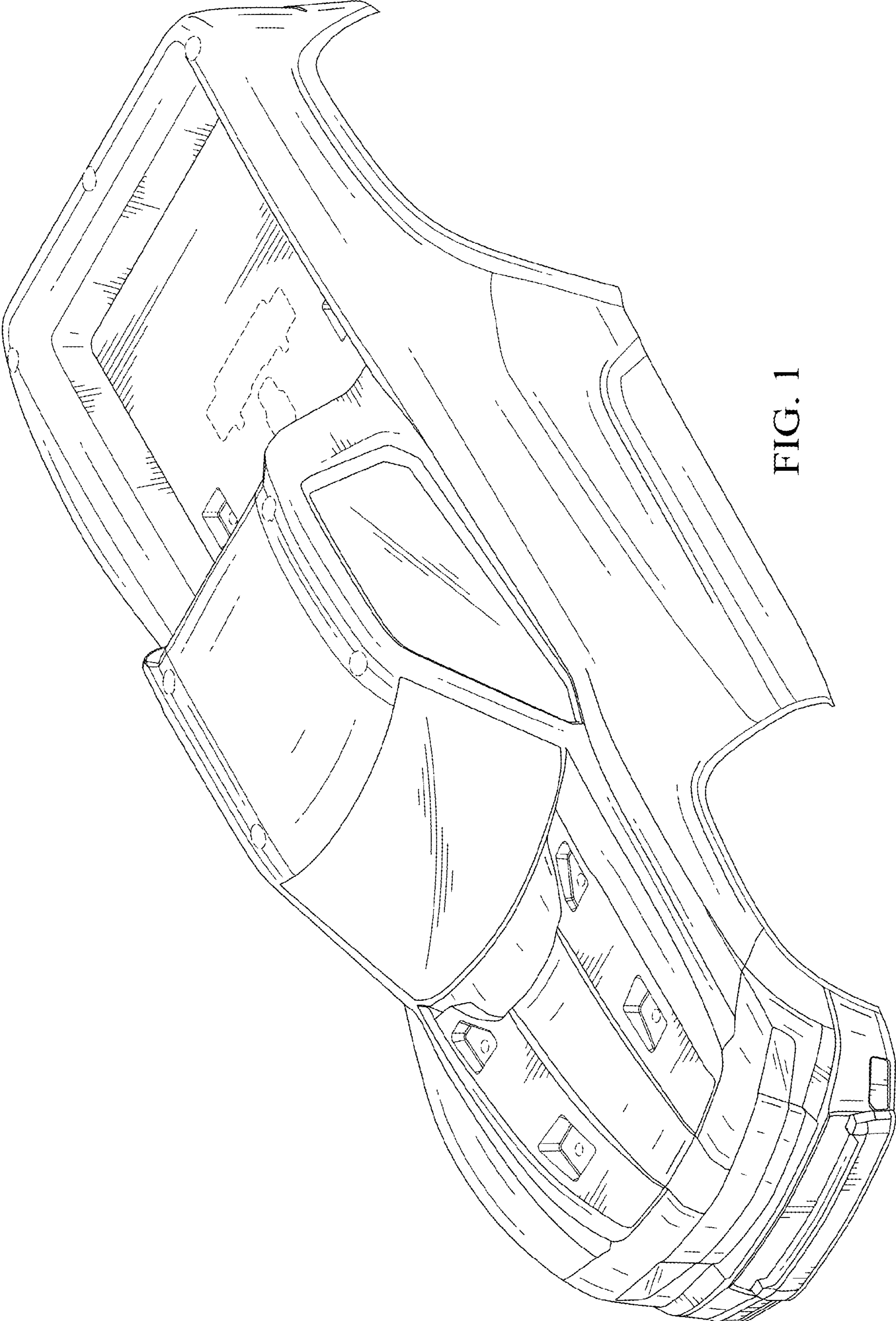


FIG. 1

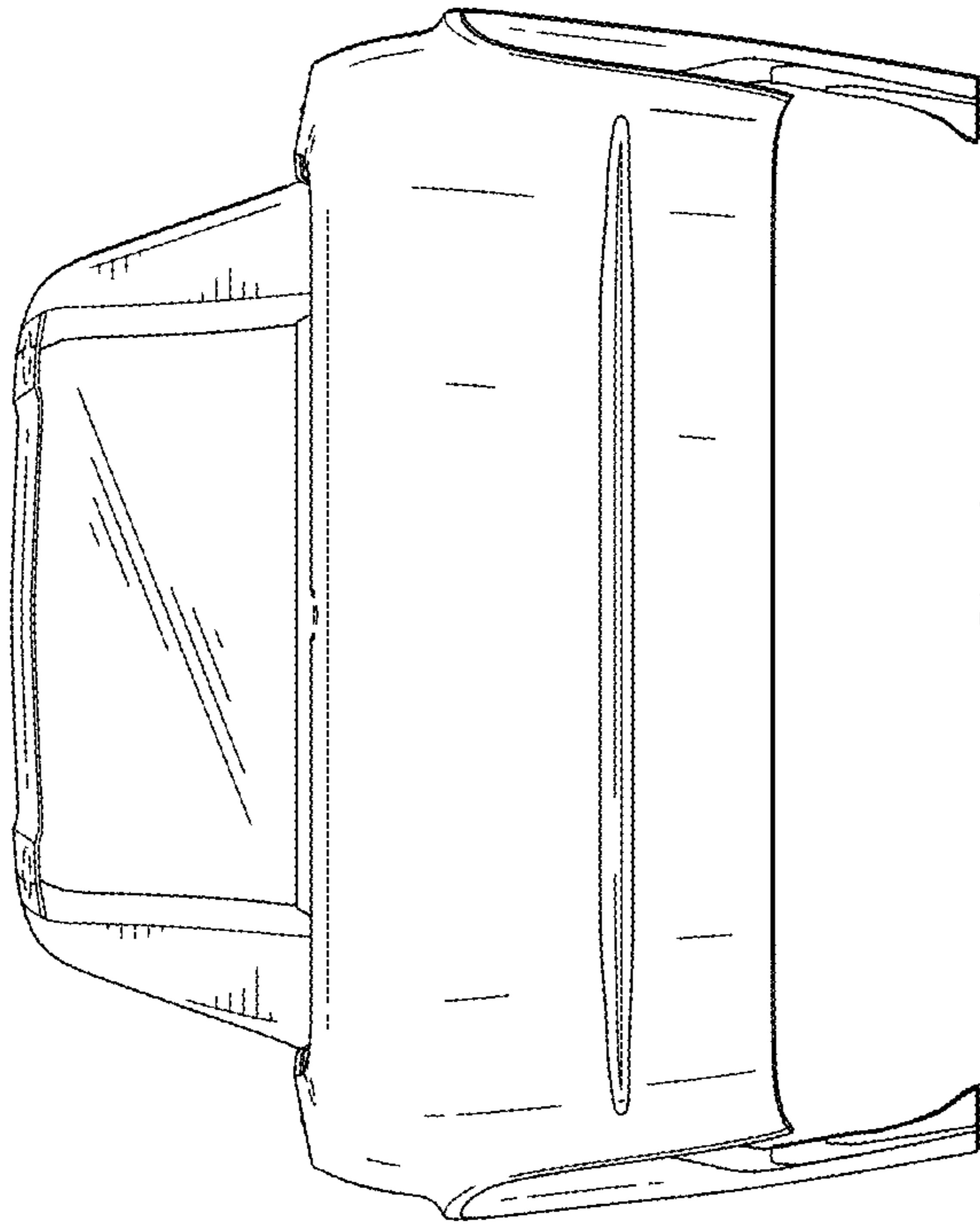


FIG. 3

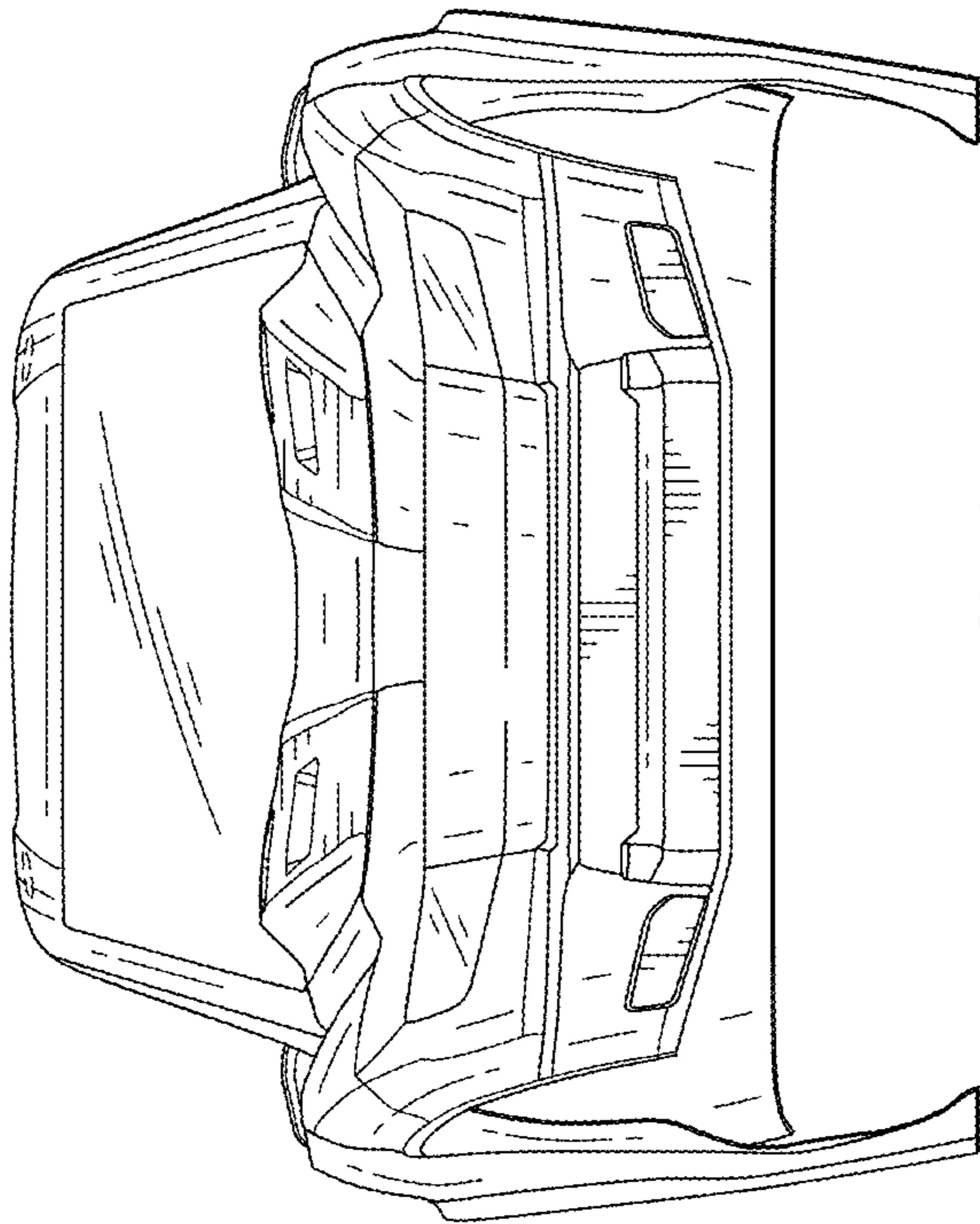


FIG. 2

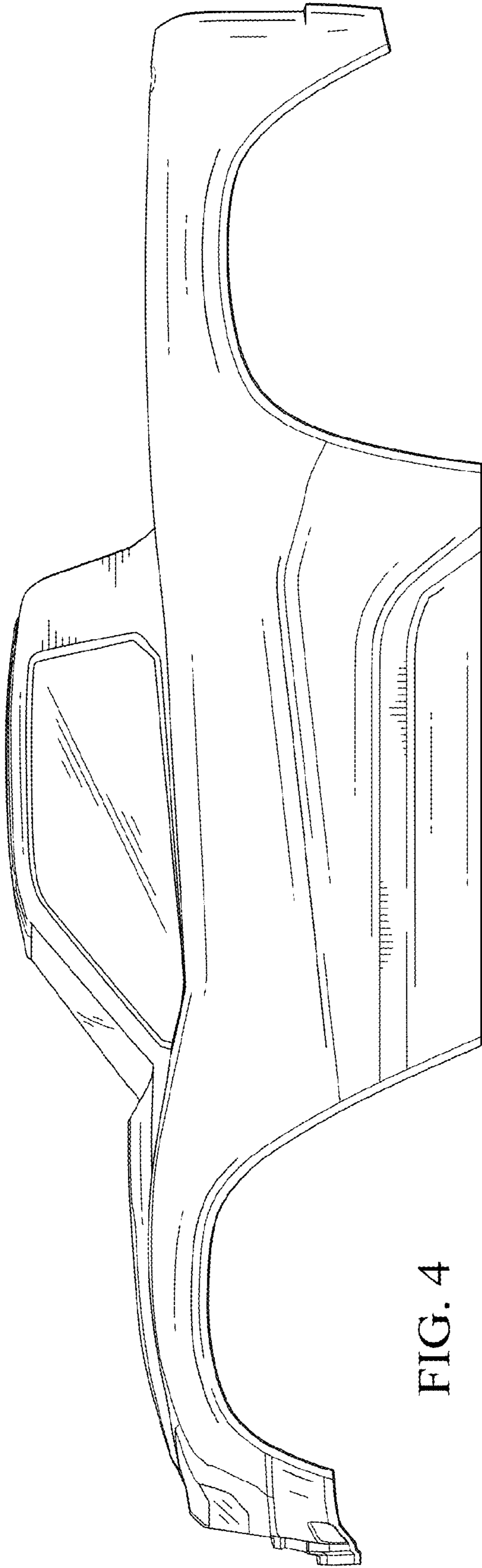


FIG. 4

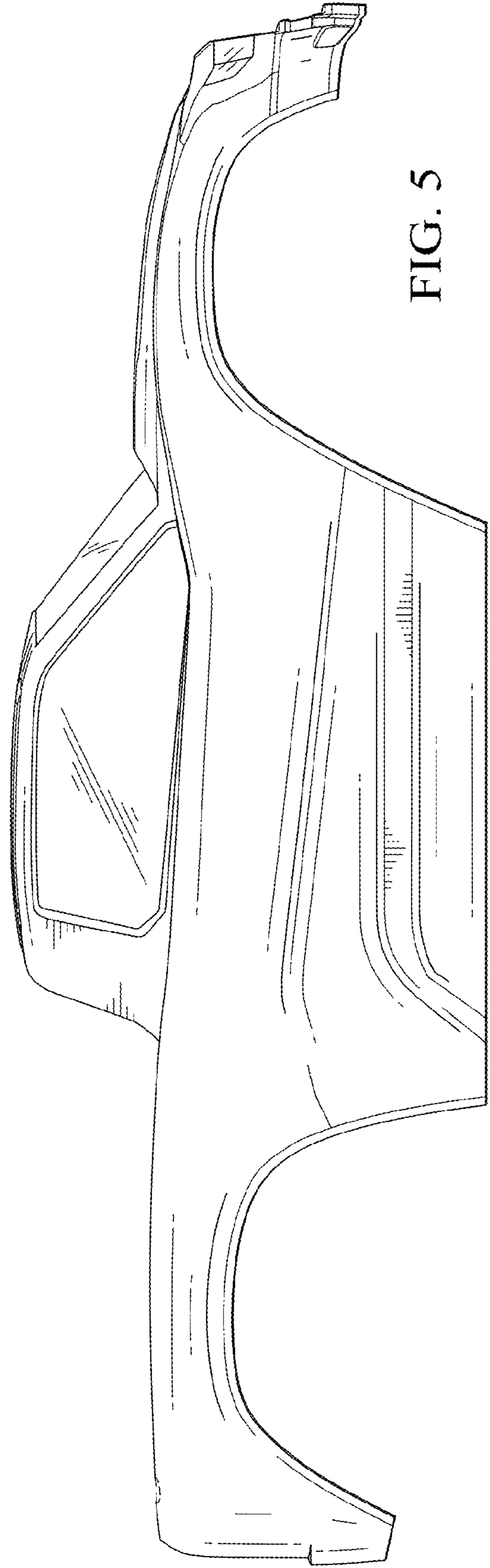


FIG. 5

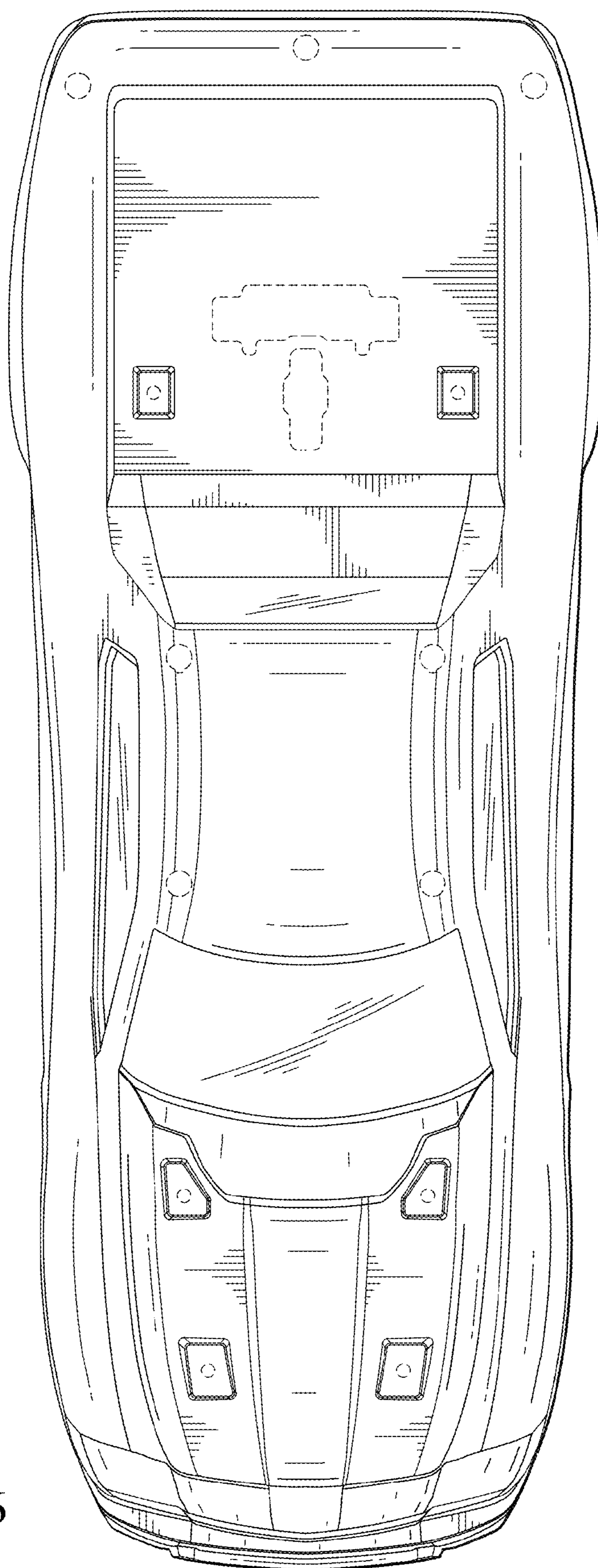


FIG. 6

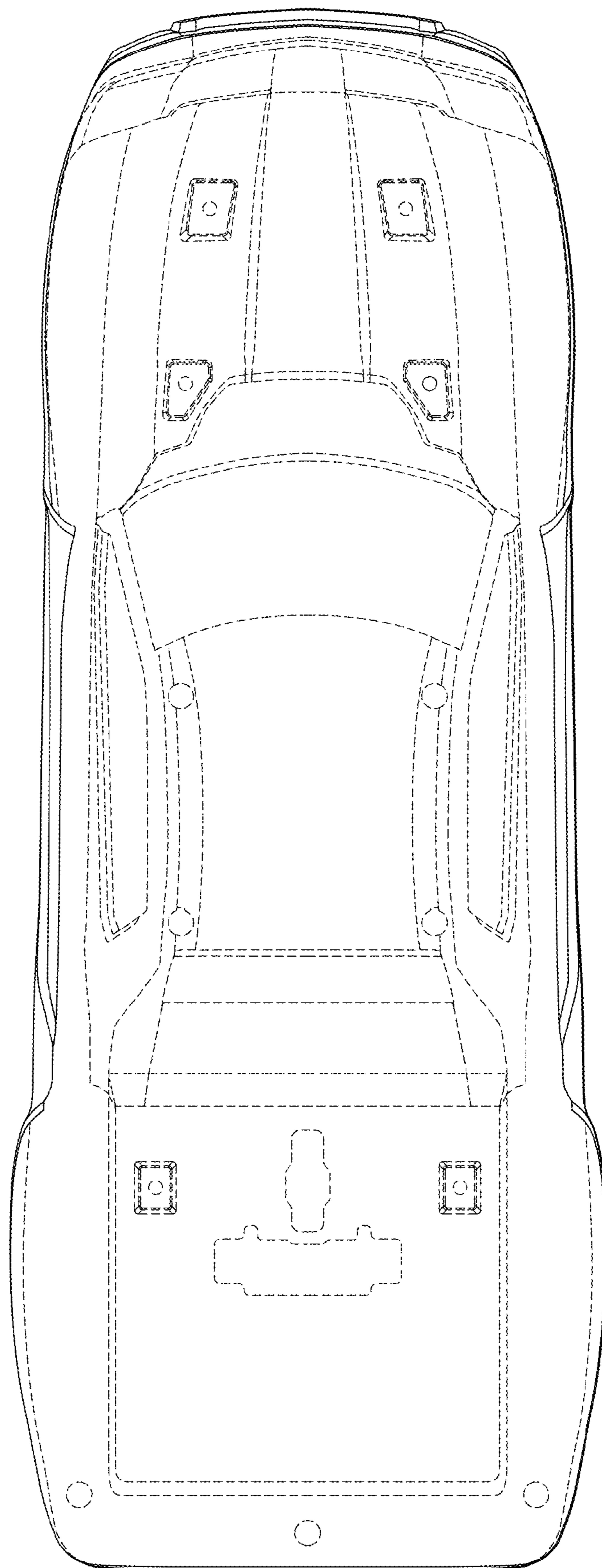


FIG. 7

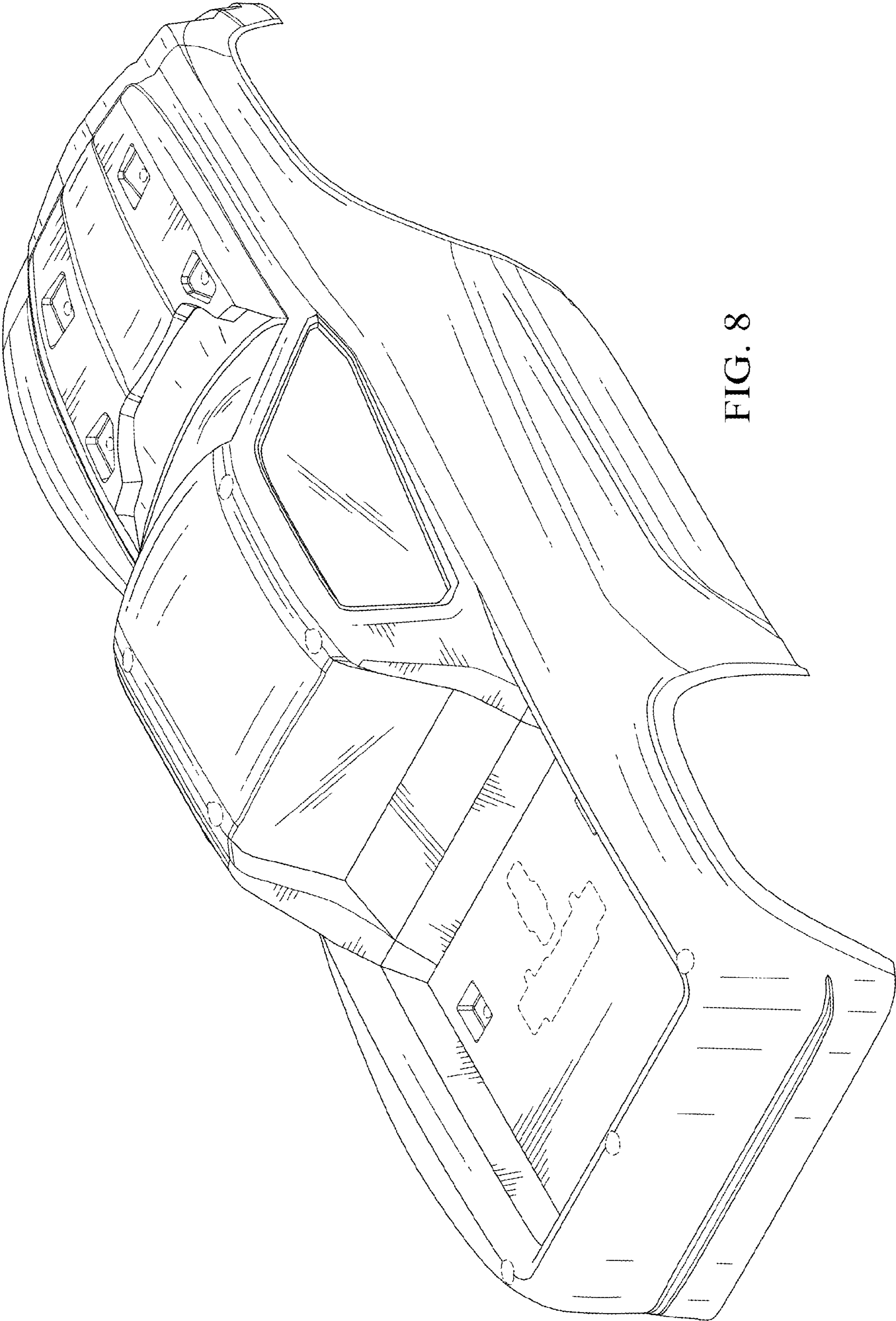


FIG. 8