



US00D947952S

(12) **United States Design Patent**  
**Xie**

(10) **Patent No.:** **US D947,952 S**  
(45) **Date of Patent:** **\*\* Apr. 5, 2022**

(54) **BALANCE BIKE**  
(71) Applicant: **Guangdong Luddy Interactive Entertainment Ltd., Guangdong (CN)**  
(72) Inventor: **Yincun Xie, Guangdong (CN)**  
(73) Assignee: **GUANGDONG LUDDY INTERACTIVE ENTERTAINMENT LTD., Dongguan (CN)**

D735,620 S \* 8/2015 Pape ..... B62K 9/00  
D12/111  
D828,786 S \* 9/2018 Baker ..... D12/111  
D841,521 S \* 2/2019 Bao ..... D12/112  
D896,319 S \* 9/2020 Jiang ..... D21/432  
D910,767 S \* 2/2021 Yang ..... D21/432  
2013/0277934 A1\* 10/2013 De Roeck ..... B62K 13/04  
280/87.021  
2015/0130150 A1\* 5/2015 O'Connell ..... B62K 9/00  
280/87.021  
2015/0239292 A1\* 8/2015 O'Connell ..... B62K 9/02  
280/87.021

(\*\*) Term: **15 Years**

\* cited by examiner

(21) Appl. No.: **29/728,985**

*Primary Examiner* — Cynthia M. Chin

(22) Filed: **Mar. 23, 2020**

(74) *Attorney, Agent, or Firm* — Bayramoglu Law Offices LLC

(30) **Foreign Application Priority Data**

(57) **CLAIM**

Oct. 29, 2019 (CN) ..... 201930591453.X

The ornamental design for a balance bike, as shown and described.

(51) **LOC (13) Cl.** ..... **21-01**

**DESCRIPTION**

(52) **U.S. Cl.**

USPC ..... **D21/432**

(58) **Field of Classification Search**

USPC ..... D21/419, 421, 432, 435; D12/110, 112  
CPC . B62K 9/00; B62K 9/02; B62K 13/00; B62K 13/04

See application file for complete search history.

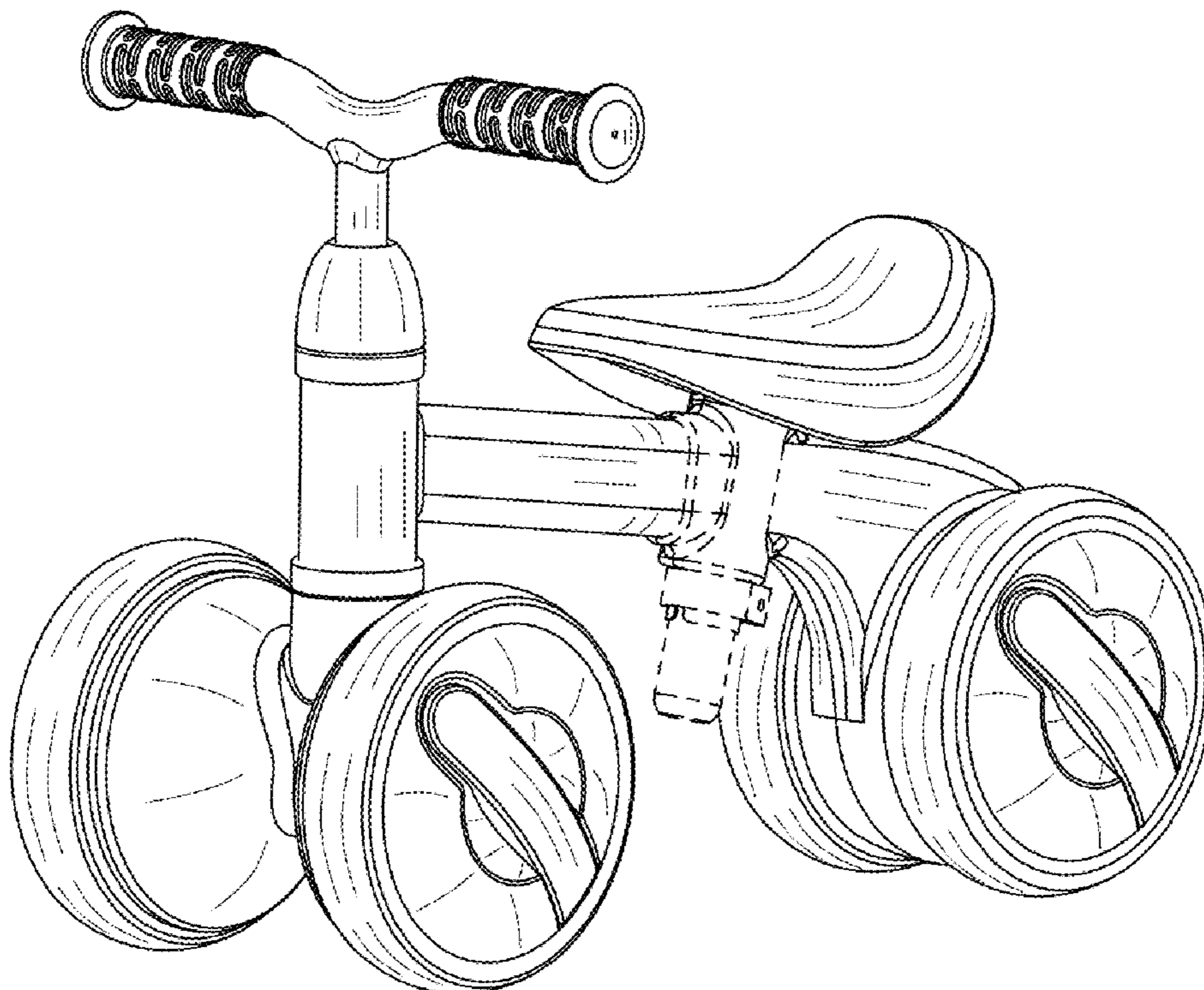
FIG. 1 is a front elevational view of a balance bike showing my new design;  
FIG. 2 is a rear elevational view thereof;  
FIG. 3 is a left side view thereof;  
FIG. 4 is a right side view thereof;  
FIG. 5 is a top plan view thereof;  
FIG. 6 is a bottom plan view thereof; and,  
FIG. 7 is a top, front and right side perspective view thereof.  
The broken lines in the drawings illustrate portions of the balance bike which form no part of the claimed design.

(56) **References Cited**

**U.S. PATENT DOCUMENTS**

D296,774 S \* 7/1988 Armstrong ..... D12/112  
D673,623 S \* 1/2013 De Roeck ..... D21/432

**1 Claim, 7 Drawing Sheets**



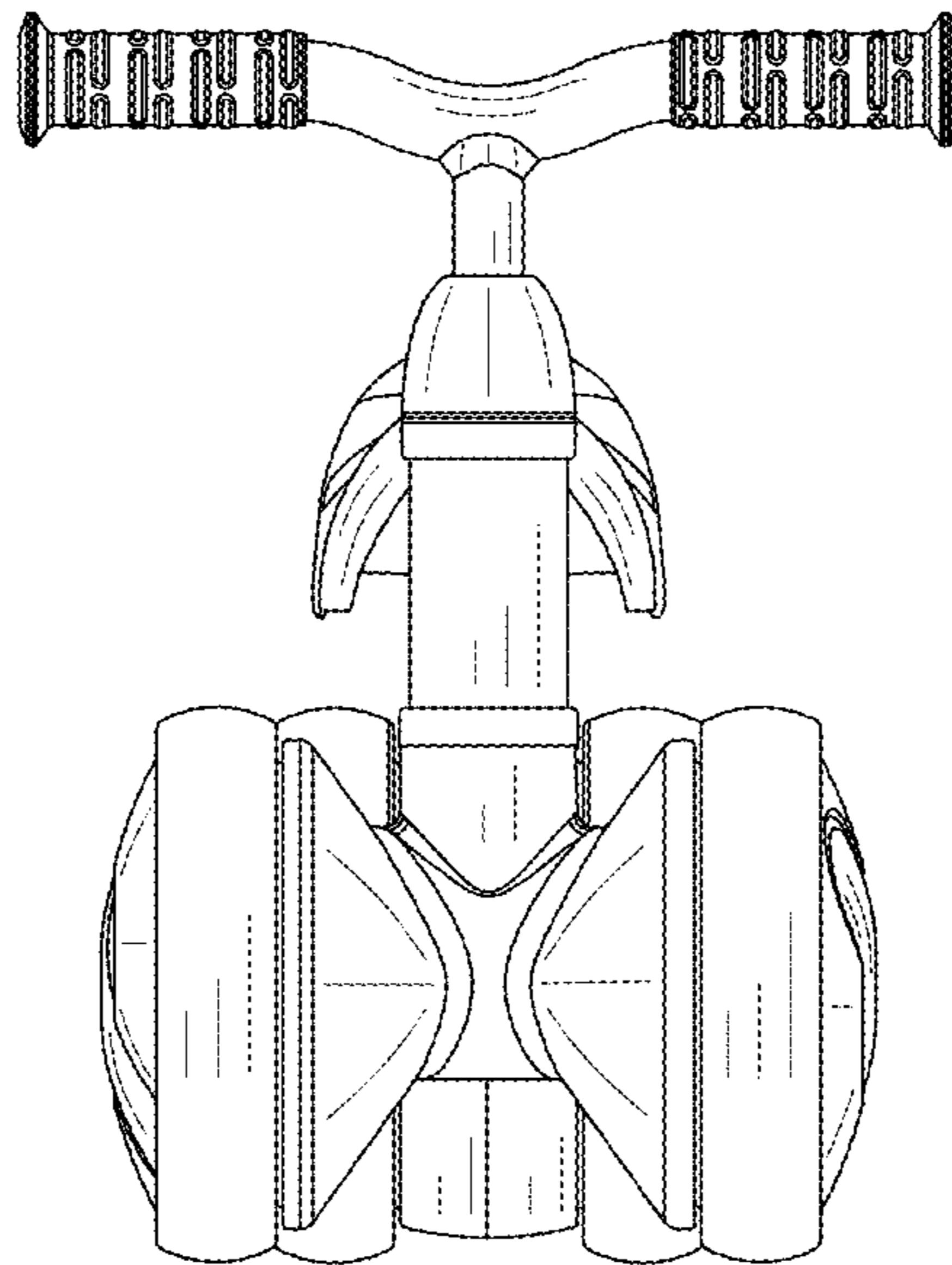


FIG. 1

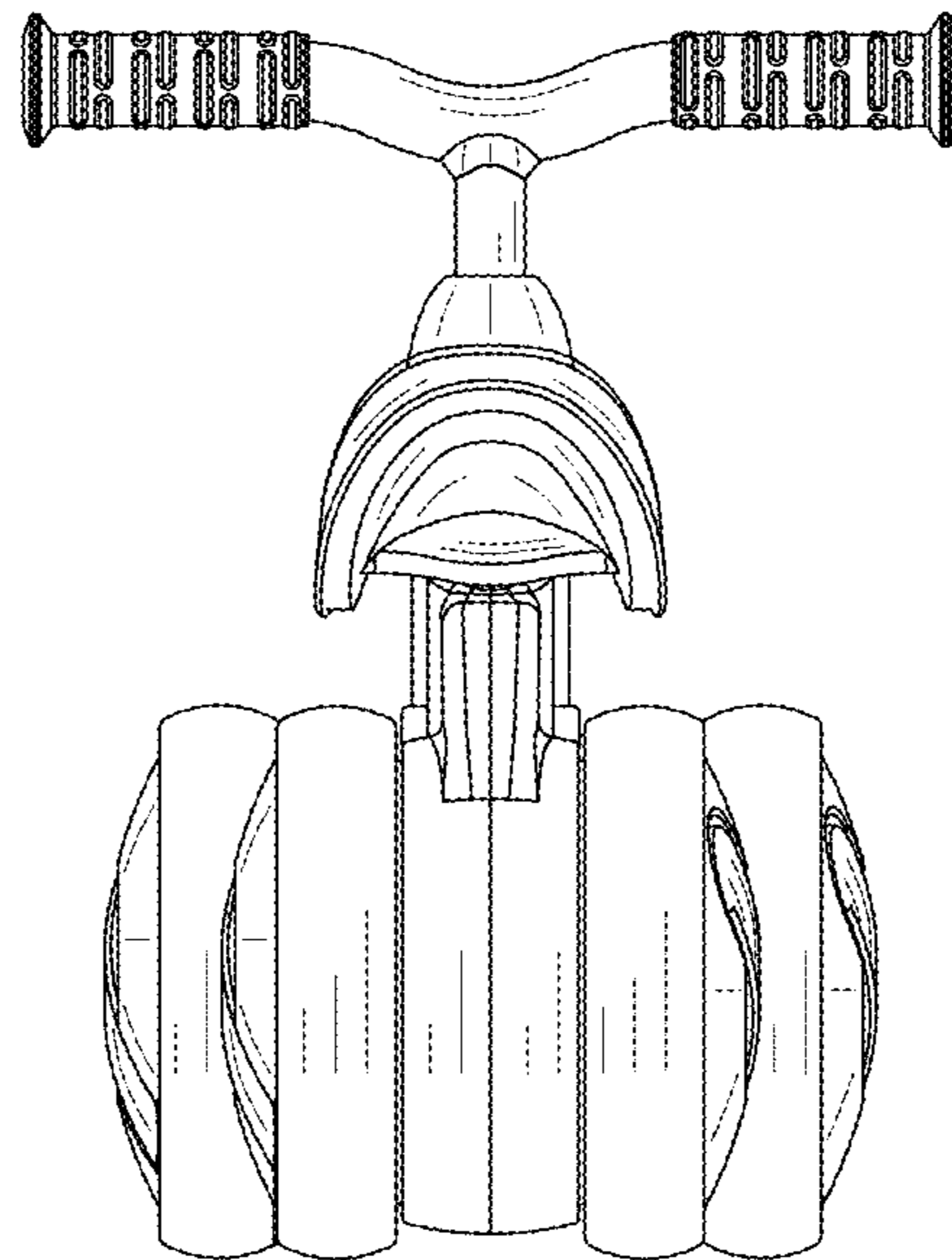


FIG. 2

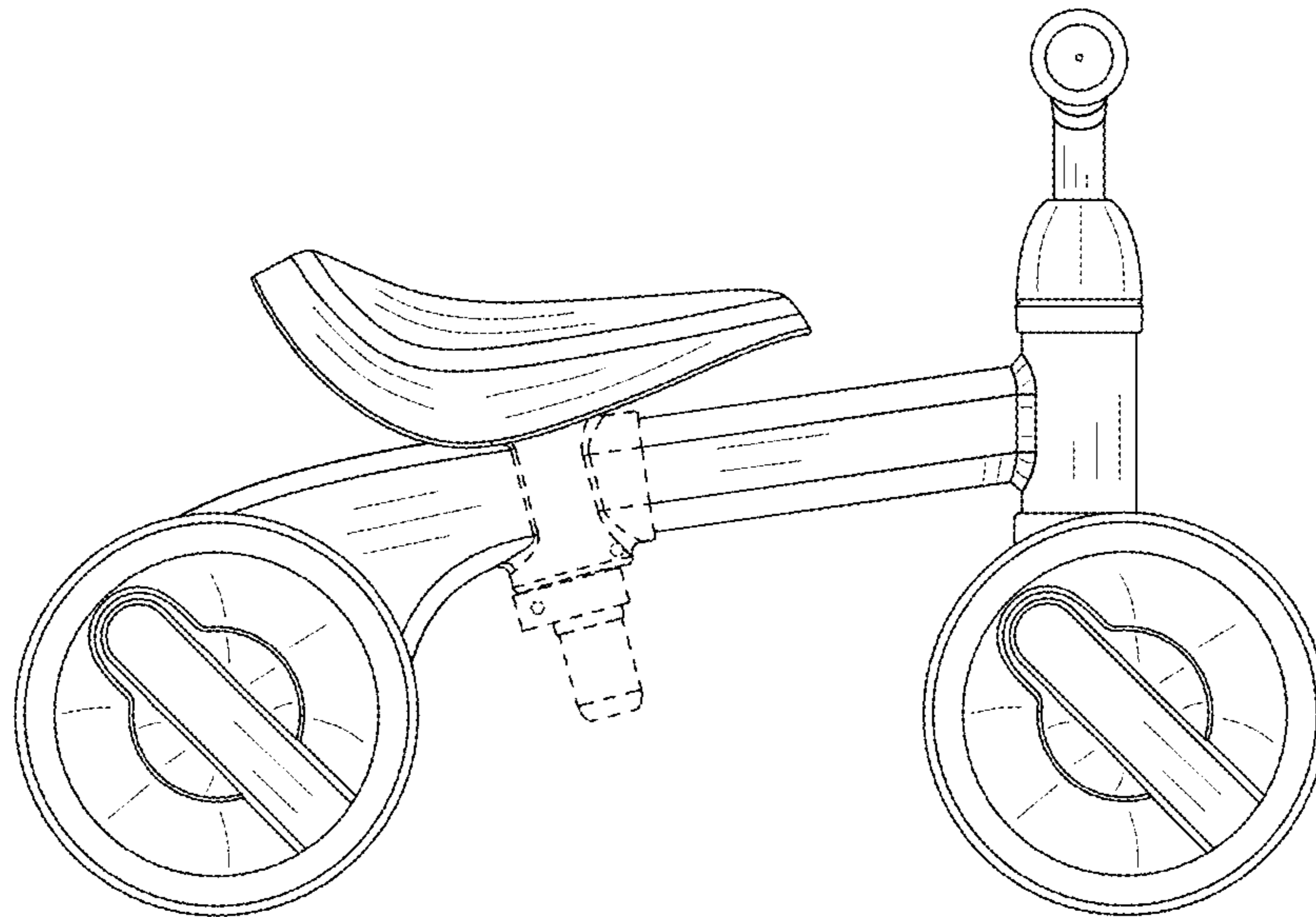


FIG. 3

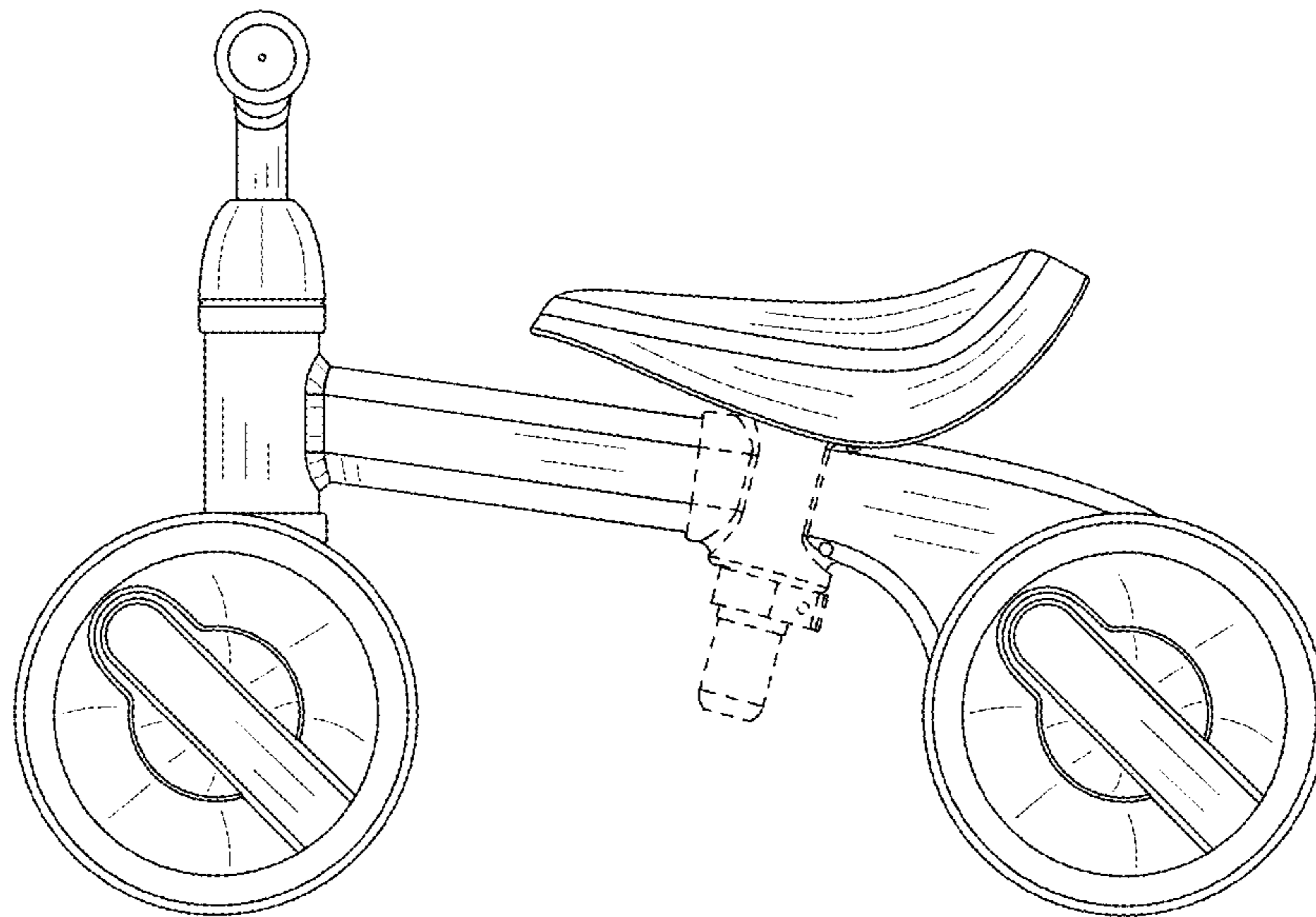


FIG. 4

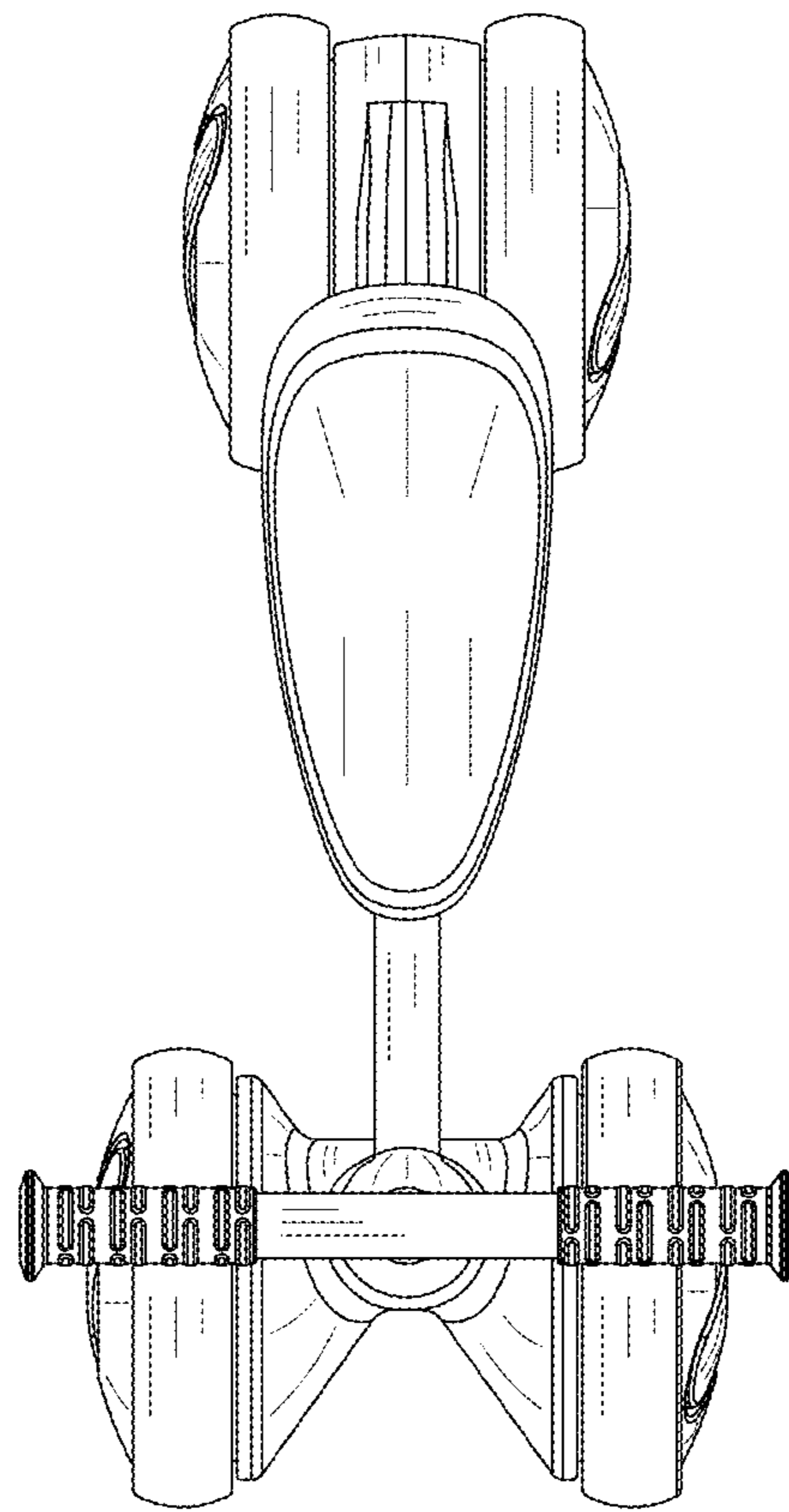


FIG. 5

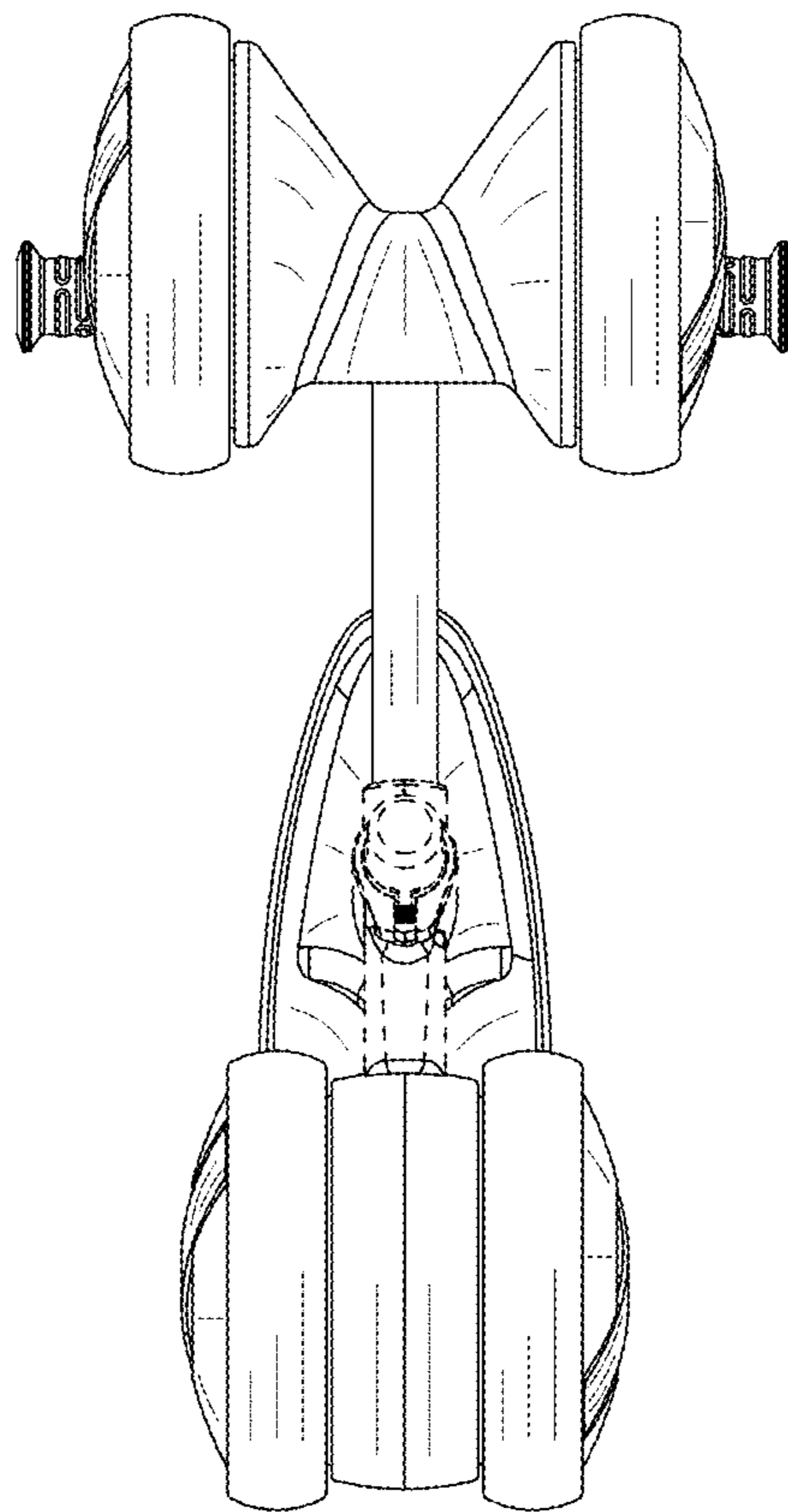


FIG. 6

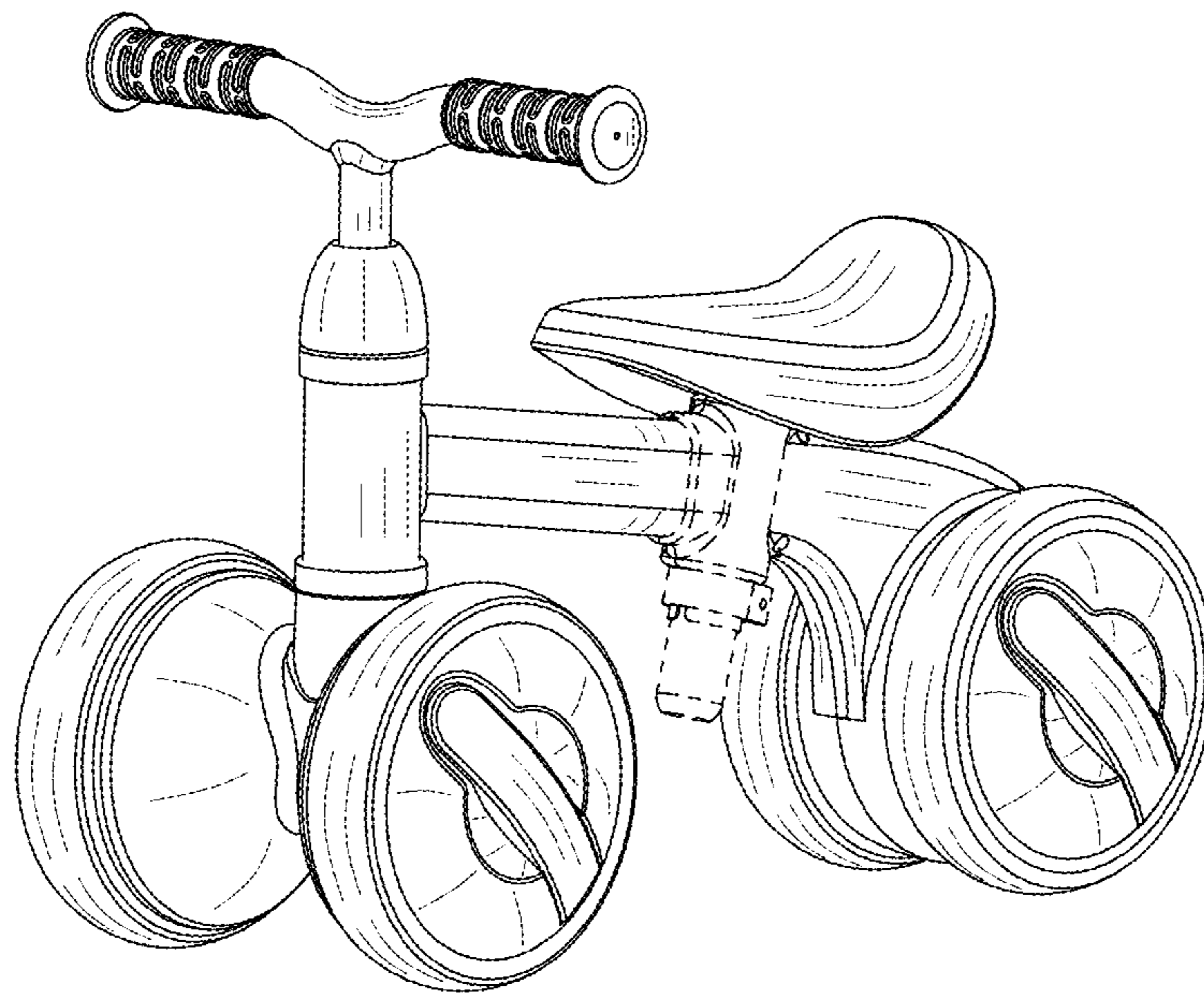


FIG. 7