



US00D947948S

(12) **United States Design Patent**  
**Ma et al.**

(10) **Patent No.:** **US D947,948 S**

(45) **Date of Patent:** **\*\* Apr. 5, 2022**

(54) **GAME CONTROLLER**

(71) Applicant: **SHENZHEN JIASHI BO ELECTRONICS CO., LTD.**, Shenzhen (CN)

(72) Inventors: **Xiaoyong Ma**, Shenzhen (CN);  
**Hongying Zeng**, Shenzhen (CN);  
**Jifeng Qiu**, Shenzhen (CN)

(73) Assignee: **SHENZHEN JIASHI BO ELECTRONICS CO., LTD.**, Shenzhen (CN)

(\*\*) Term: **15 Years**

(21) Appl. No.: **29/763,783**

(22) Filed: **Dec. 24, 2020**

(51) **LOC (13) Cl.** ..... **21-01**

(52) **U.S. Cl.**  
USPC ..... **D21/333**

(58) **Field of Classification Search**  
USPC ..... D21/325, 326, 327, 333, 324, 328, 332, D21/566, 329, 330, 694; D14/401, 400, D14/454, 412, 496, 416, 418, 413, 203.3, D14/203.5, 218, 415, 252, 414, 419, 457, D14/203, 203.1, 203.7, 204, 217, 240, D14/253, 333, 342, 357, 358, 388, 403, D14/434, 455, 456, 410, 492, 258, 301, D14/393, 432, 489  
CPC ..... G06F 1/1666; G06F 17/00; G06F 19/00; A63F 9/24; A63F 13/00; A63F 13/23; A63F 13/235; A63F 13/24; A63F 13/26; A63F 13/843; A63F 13/98; A63F 13/323; A63F 2009/2488; A63F 2009/2407; A63F 2250/52; A63F 2300/00; A63F 2300/1031  
See application file for complete search history.

(56) **References Cited**

U.S. PATENT DOCUMENTS

D709,499 S \* 7/2014 Morris ..... D14/401  
D709,882 S \* 7/2014 Morris ..... D14/401

D715,865 S \* 10/2014 Morris ..... D21/333  
D736,762 S \* 8/2015 Lovoi ..... D14/401  
D772,988 S \* 11/2016 Kujawski ..... D14/401  
D794,129 S \* 8/2017 Kujawski ..... D14/401  
D794,717 S \* 8/2017 Kujawski ..... D14/401  
D795,960 S \* 8/2017 Chatterjee ..... D14/401  
D799,599 S \* 10/2017 Kujawski ..... D21/333  
D799,600 S \* 10/2017 Chatterjee ..... D21/333  
D872,185 S \* 1/2020 Chatterjee ..... D21/333  
D924,978 S \* 7/2021 Chatterjee ..... D21/333

(Continued)

**OTHER PUBLICATIONS**

Microsoft Xbox Wireless Controller. Date First Available: Jan. 1, 2018. Retrieved from internet: < <https://www.amazon.com/Microsoft-Wireless-Controller-Adapter-Windows/dp/B078T3R8YS/>> [site visited Jan. 31, 2022] (Year: 2018).\*

(Continued)

*Primary Examiner* — Jonathan J Han  
*Assistant Examiner* — Yuan Yuan

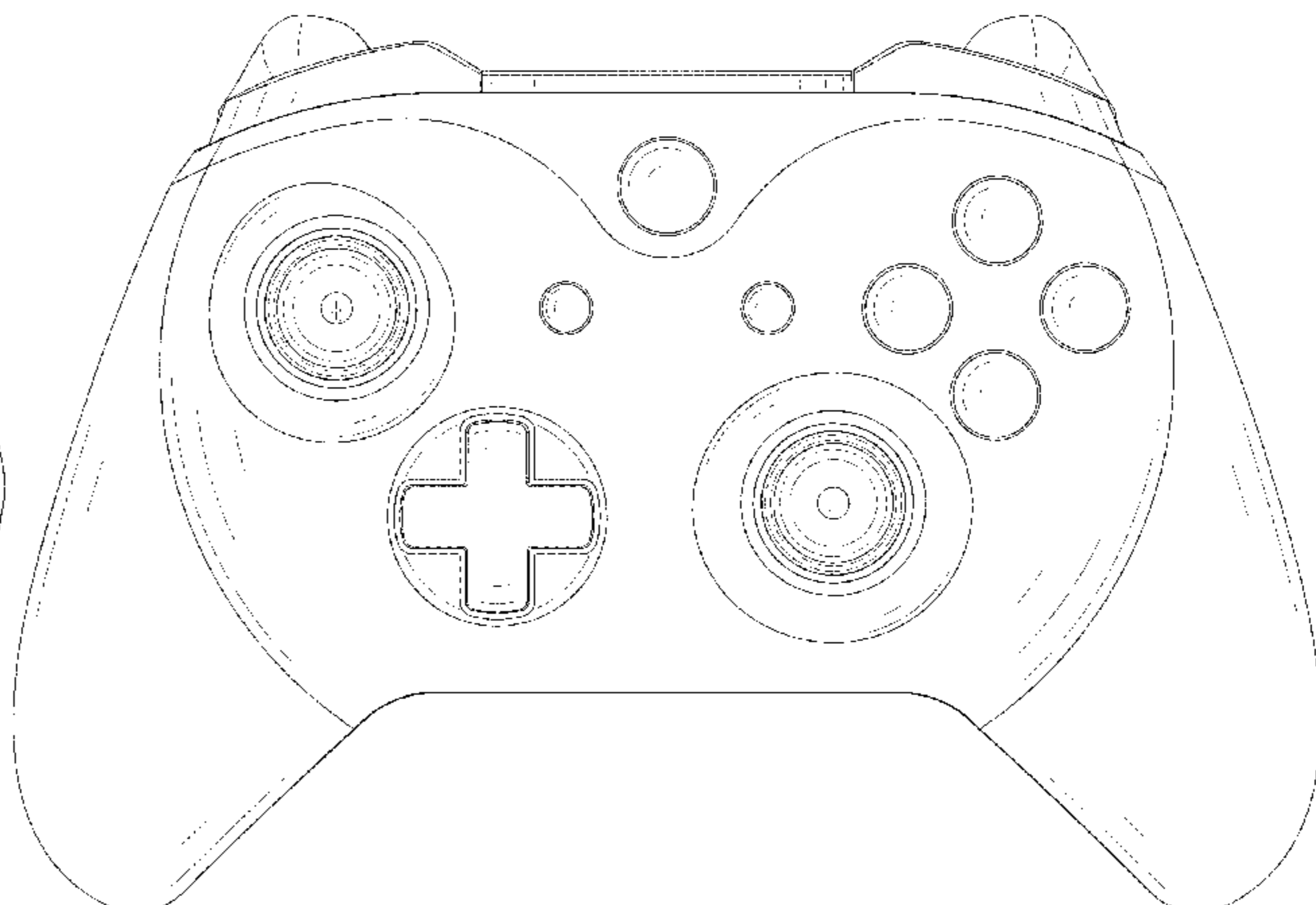
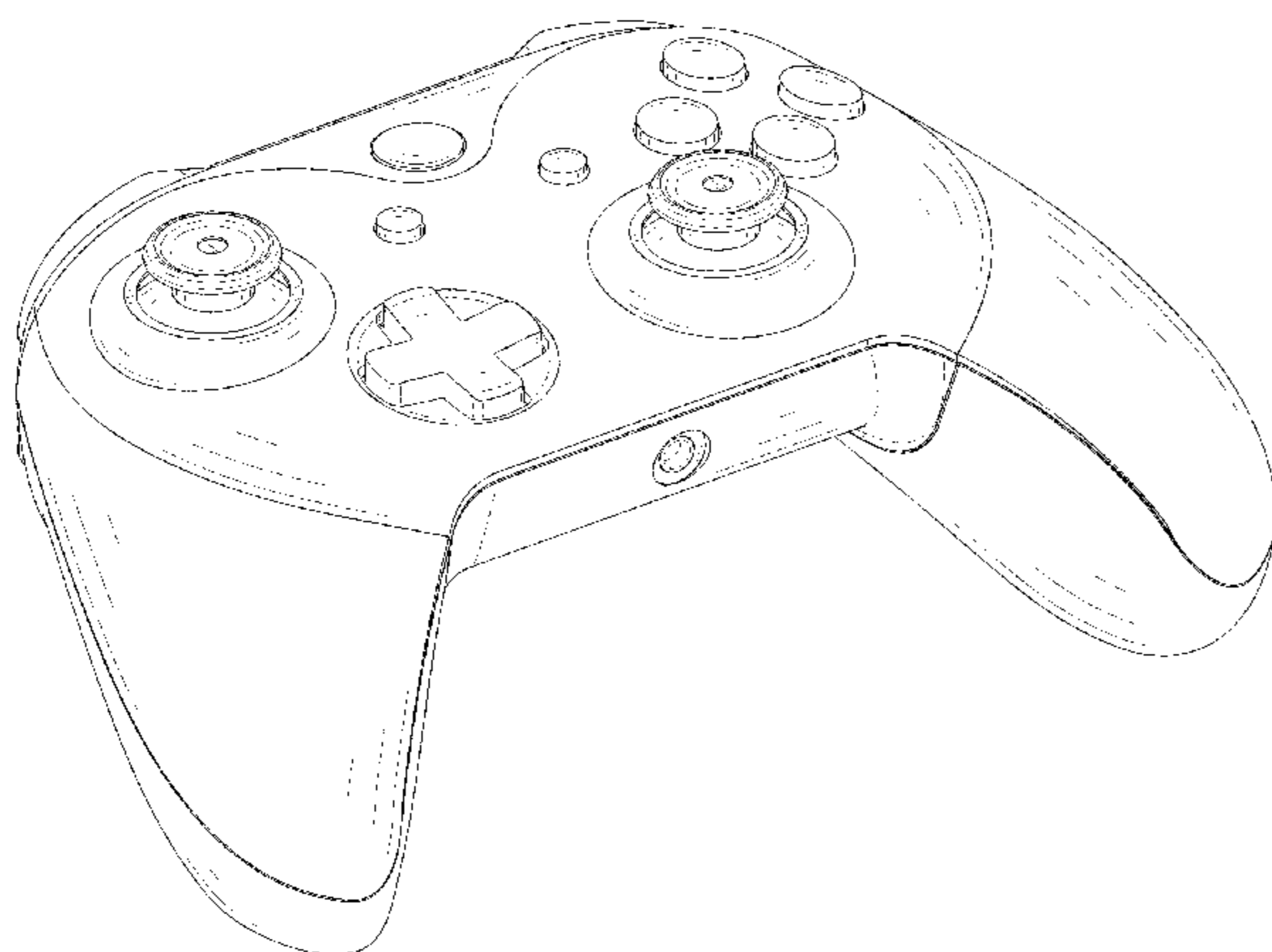
(57) **CLAIM**

The ornamental design for the game controller, as shown and described.

**DESCRIPTION**

FIG. 1 is perspective view of a game controller showing our new design;  
FIG. 2 is another perspective view thereof;  
FIG. 3 is a front elevational view thereof;  
FIG. 4 is a rear elevational view thereof;  
FIG. 5 is a left side elevational view thereof;  
FIG. 6 is a right side elevational view thereof;  
FIG. 7 is a top plan view thereof; and,  
FIG. 8 is a bottom plan view thereof.  
The broken lines in the drawings depict portions of the game controller that form no part of the claimed design.

**1 Claim, 8 Drawing Sheets**



(56)

**References Cited**

U.S. PATENT DOCUMENTS

2016/0008711 A1\* 1/2016 Hackney ..... A63F 13/24  
463/36  
2018/0200617 A1\* 7/2018 Tiffany ..... A63F 13/24  
2018/0207523 A1\* 7/2018 Lyden ..... A63F 13/214

OTHER PUBLICATIONS

W\_O Wireless Game Controller . Date First Available: May 27,  
2021. Retrieved from internet: <[https://www.amazon.com/dp/  
B095YH7TSH](https://www.amazon.com/dp/B095YH7TSH)> [site visited Jan. 31, 2022] (Year: 2021).\*

\* cited by examiner

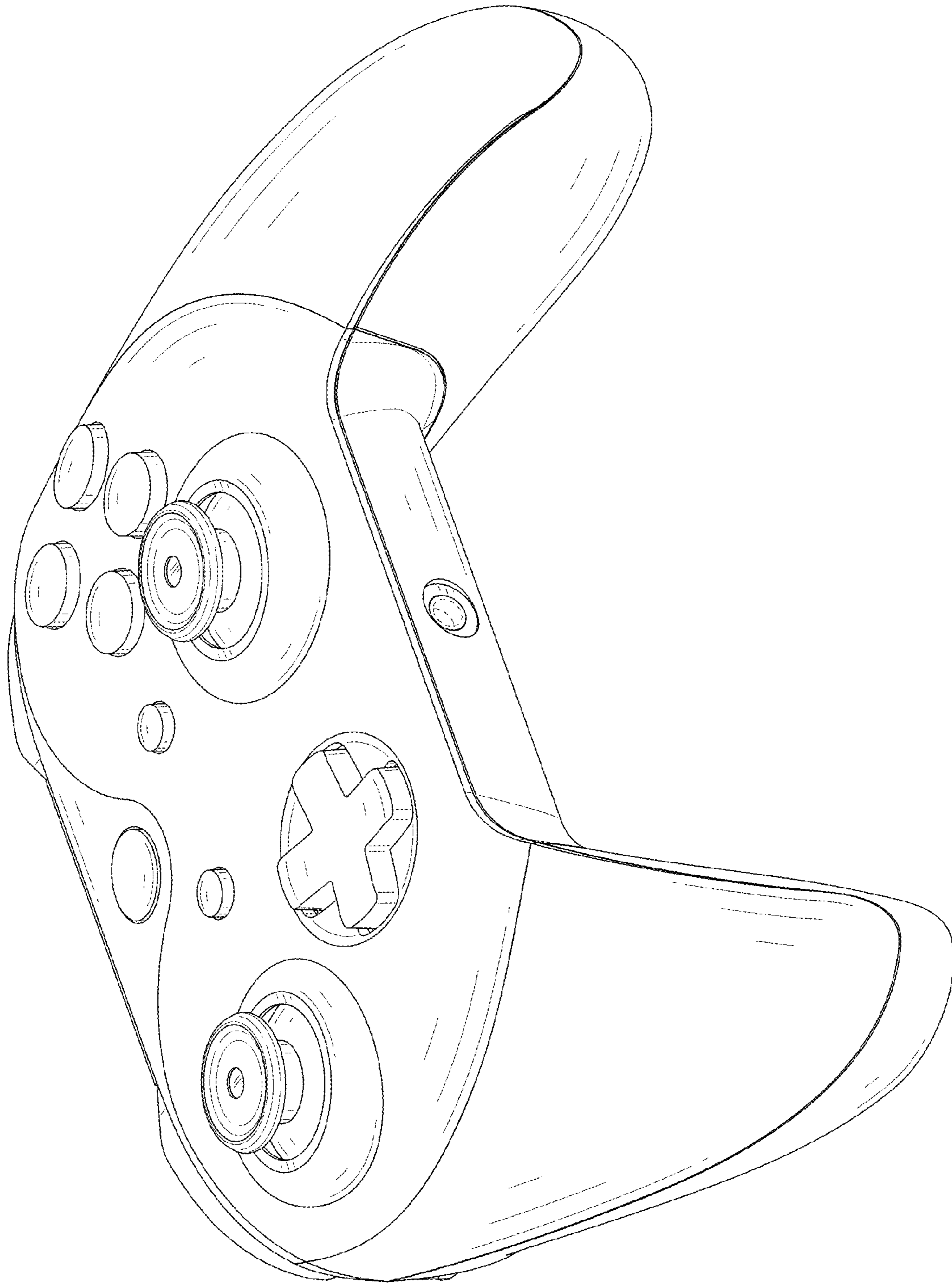


FIG. 1

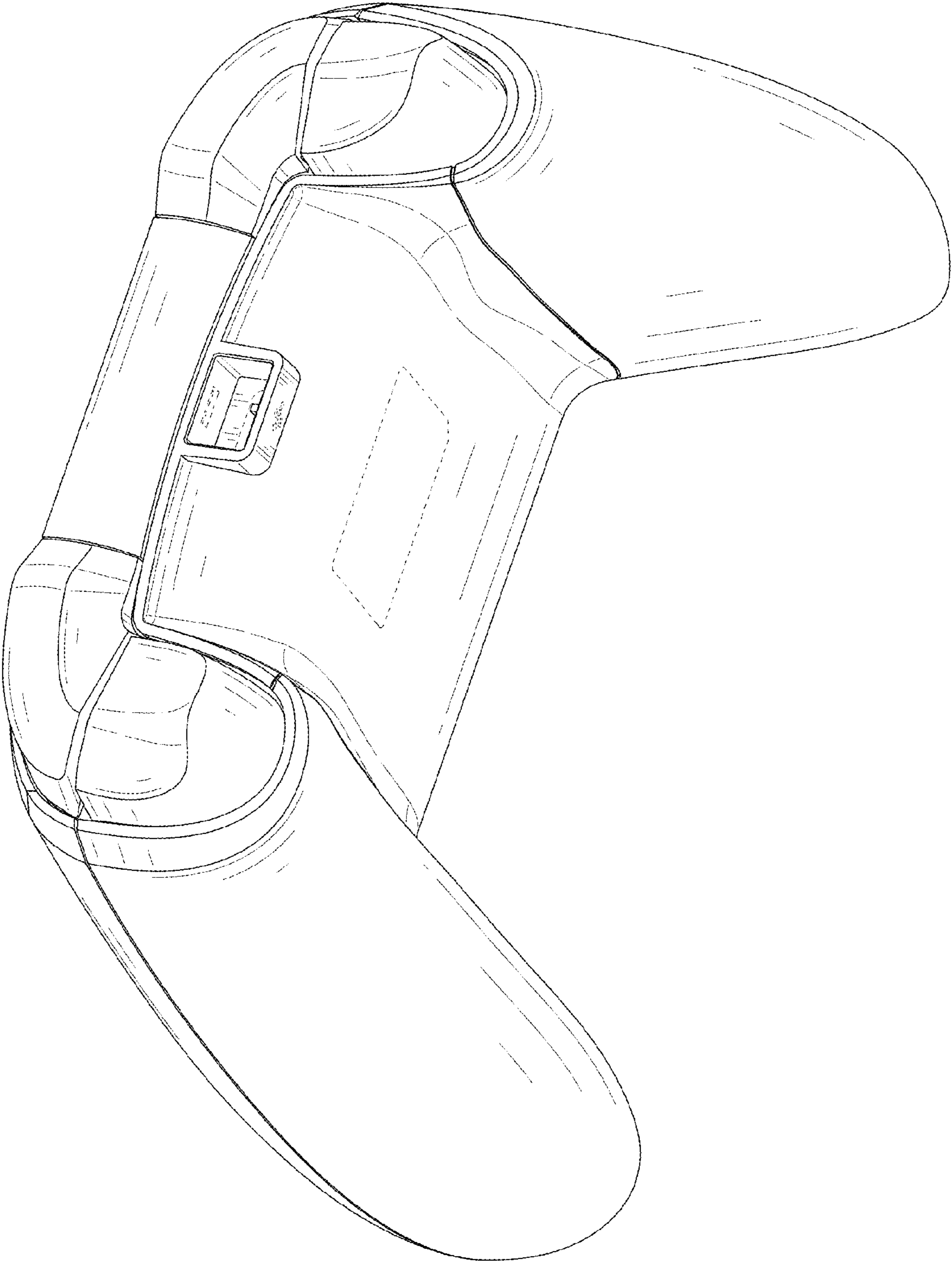


FIG. 2

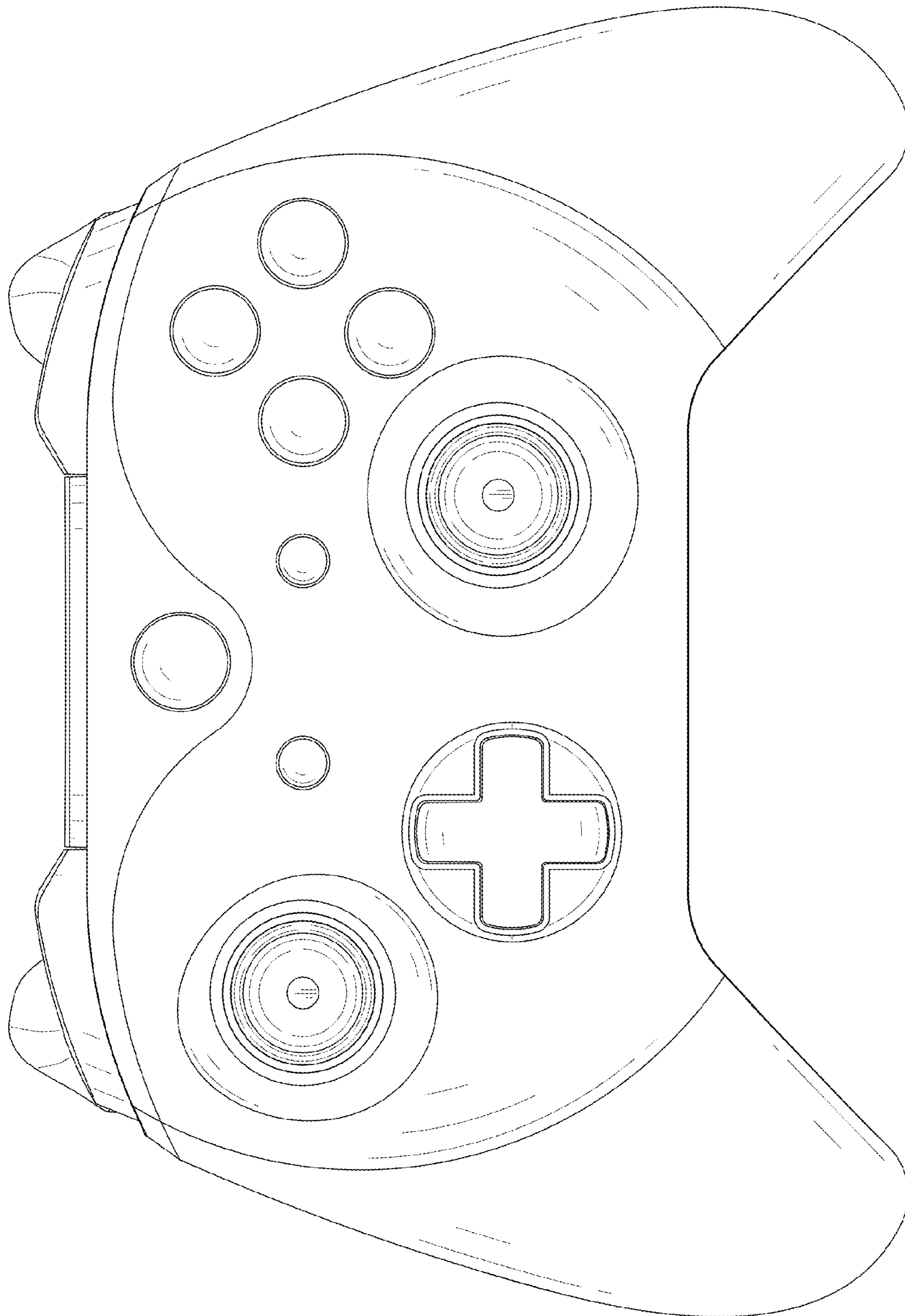


FIG. 3

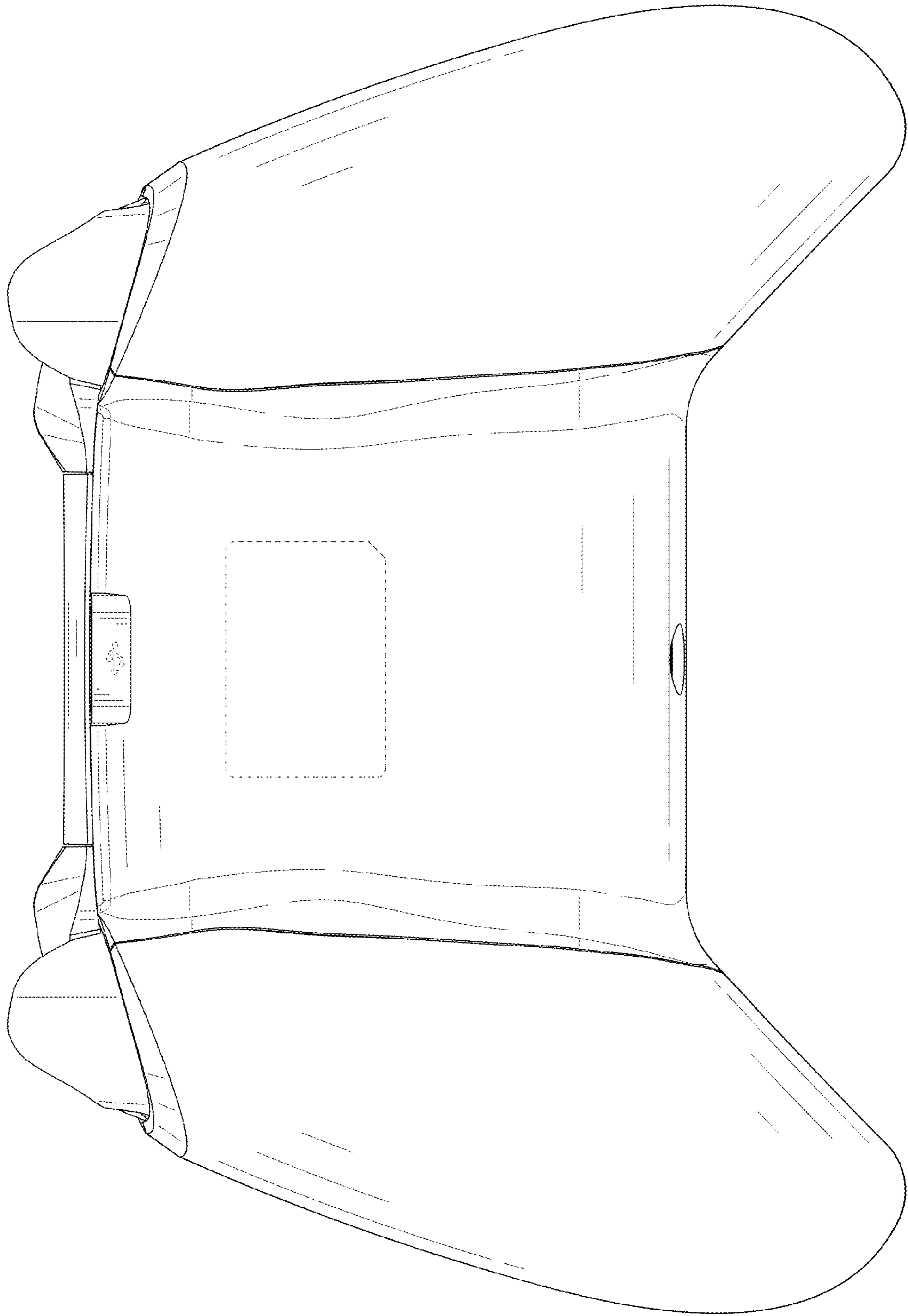


FIG. 4

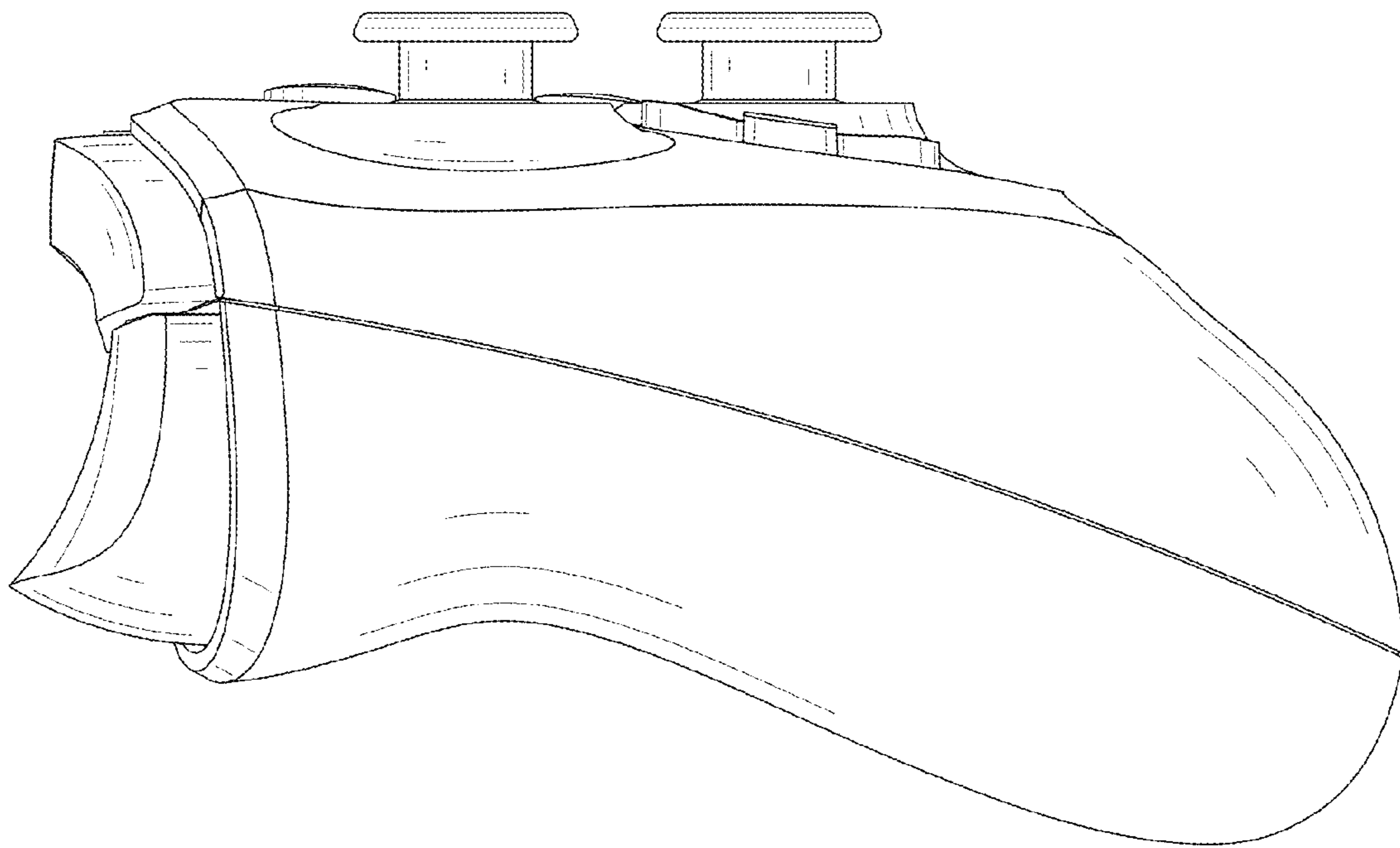


FIG. 5

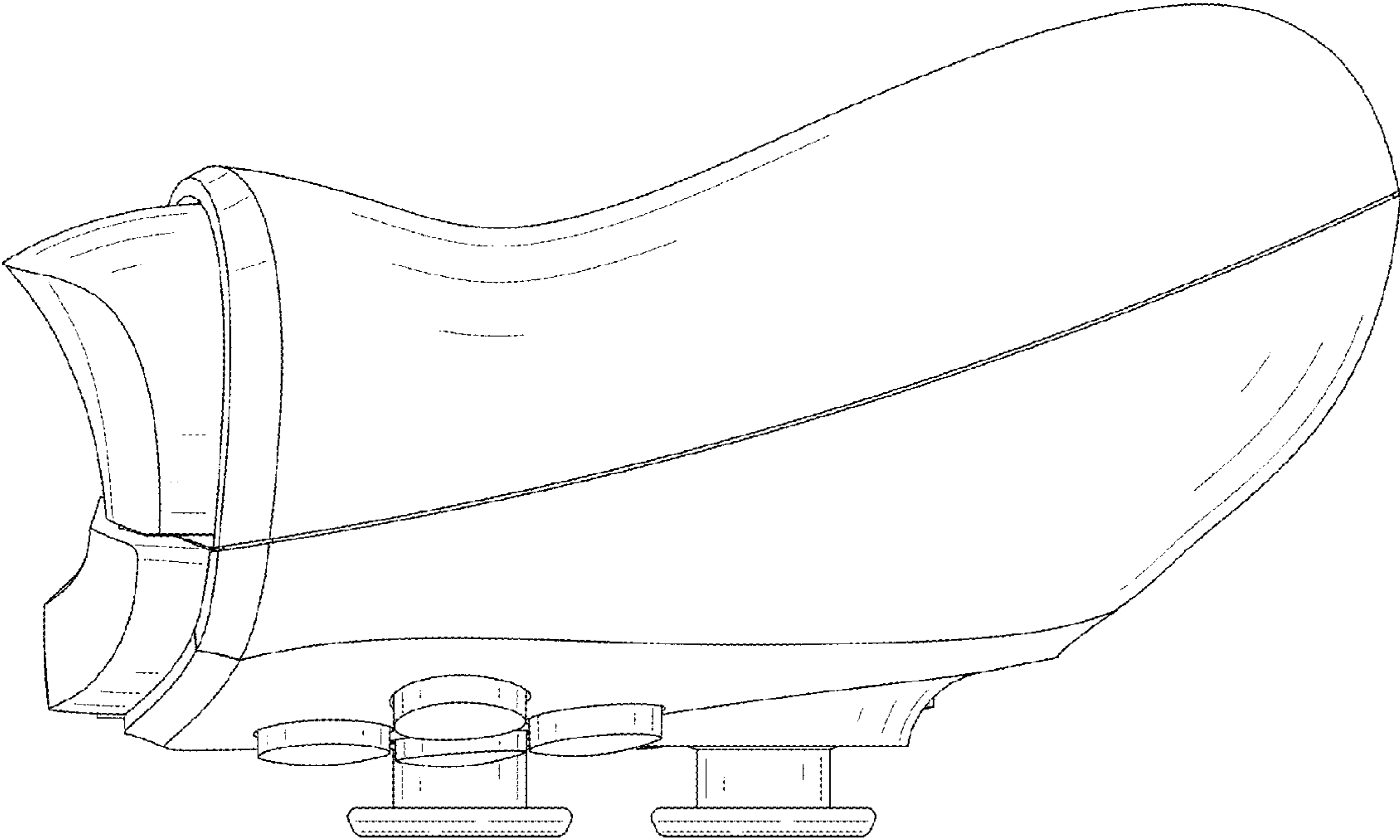


FIG. 6



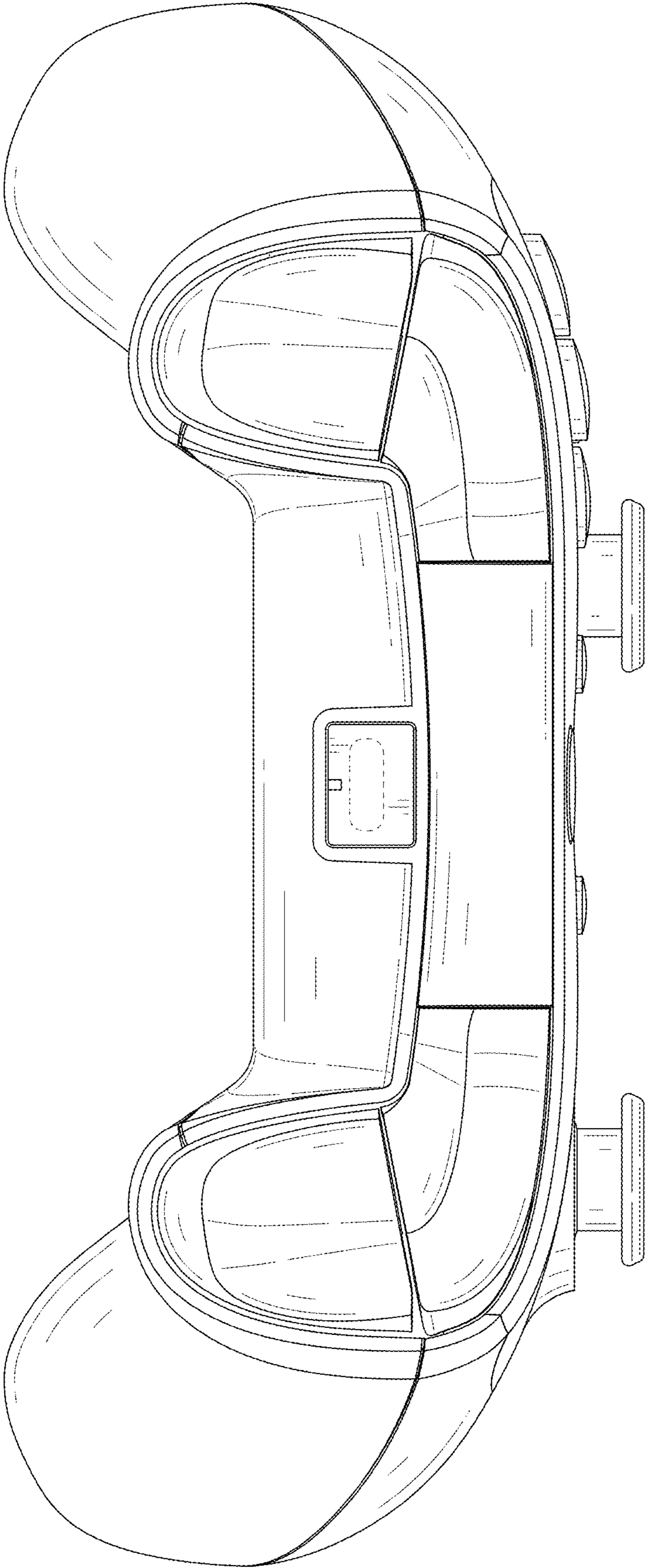


FIG. 7

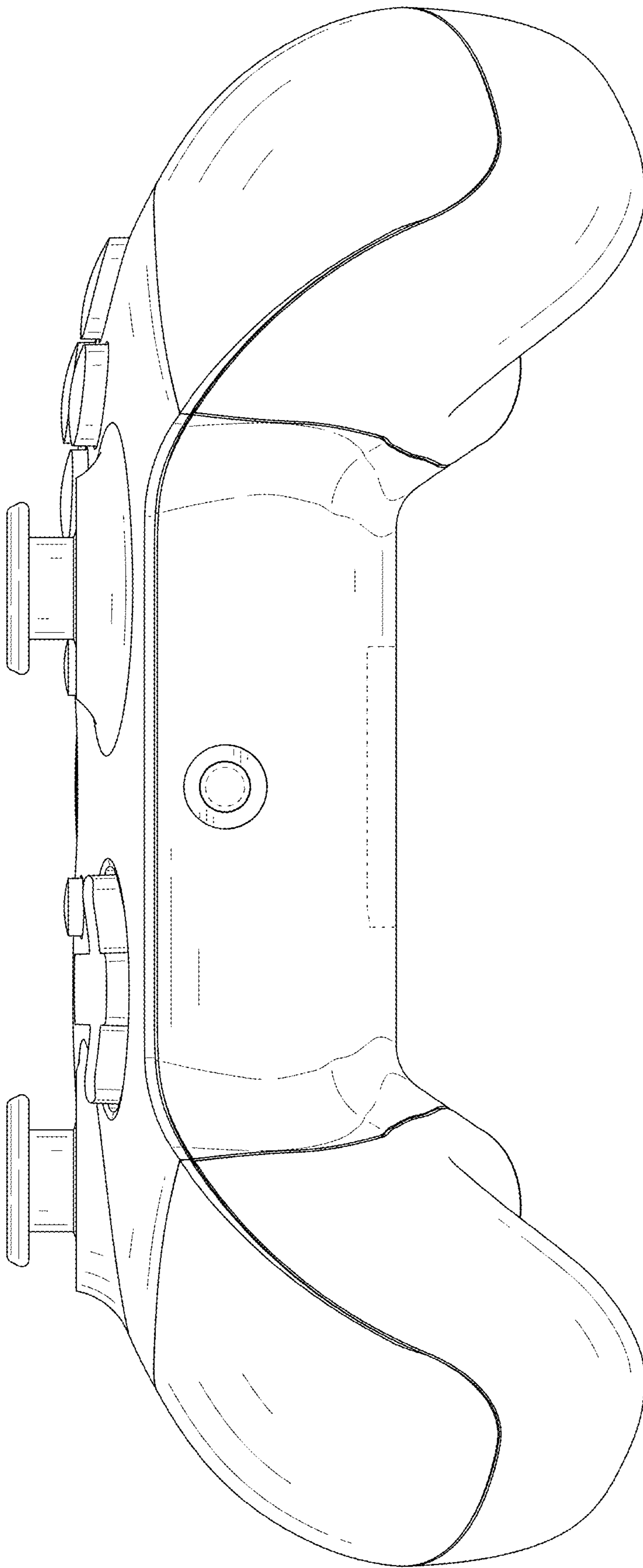


FIG. 8