



US00D947947S

(12) **United States Design Patent** (10) **Patent No.:** **US D947,947 S**  
**Luo** (45) **Date of Patent:** **\*\* Apr. 5, 2022**

(54) **GAME CONTROLLER**

FOREIGN PATENT DOCUMENTS

(71) Applicant: **Xiaohua Luo**, Ezhou (CN)

CN 305261351 \* 7/2019

(72) Inventor: **Xiaohua Luo**, Ezhou (CN)

OTHER PUBLICATIONS

(\*\*) Term: **15 Years**

Wireless Controller for PS4, first available Jul. 17, 2021, www.amazon.com [online], site visited [Jan. 22, 2022], Available from internet URL:https://amzn.to/3nSAEG3 (Year: 2020) (Year: 2021).\*

(21) Appl. No.: **29/741,369**

\* cited by examiner

(22) Filed: **Jul. 13, 2020**

(51) **LOC (13) Cl.** ..... **21-01**

*Primary Examiner* — Janice Patyk

(52) **U.S. Cl.**

*Assistant Examiner* — Salamah Jordan

USPC ..... **D21/333**

(58) **Field of Classification Search**

(74) *Attorney, Agent, or Firm* — Bayramoglu Law Offices LLC

USPC .... D14/203.3, 218, 358, 383, 388, 400–401, D14/417, 426–431, 454; D21/320, D21/324–333

CPC ..... A63F 13/06; A63F 13/08; A63F 13/22; A63F 13/24; A63F 13/40; A63F 13/42; A63F 13/98; A63F 9/24; G06F 3/0338

See application file for complete search history.

(57) **CLAIM**

The ornamental design for a game controller, as shown and described.

(56) **References Cited**

**DESCRIPTION**

U.S. PATENT DOCUMENTS

D715,296	S	*	10/2014	Huang	.....	D14/401
D718,818	S	*	12/2014	Sumii	.....	D21/333
D727,430	S	*	4/2015	Sumii	.....	D21/333
D733,140	S	*	6/2015	Sumii	.....	D14/401
D736,860	S	*	8/2015	Lovoi	.....	D21/333
D769,982	S	*	10/2016	Konishi	.....	D21/333
D780,180	S	*	2/2017	Ironmonger	.....	D14/401
D780,759	S	*	3/2017	Ironmonger	.....	D14/401
D794,027	S	*	8/2017	Ironmonger	.....	D14/401
D887,411	S	*	6/2020	Li	.....	D14/401
2020/0054940	A1	*	2/2020	Andall	.....	A63F 13/42
2021/0379488	A1	*	12/2021	Falc	.....	A63F 13/22

FIG. 1 is a perspective view of a game controller showing my new design;

FIG. 2 is a front view thereof;

FIG. 3 is a rear view thereof;

FIG. 4 is a right side view thereof;

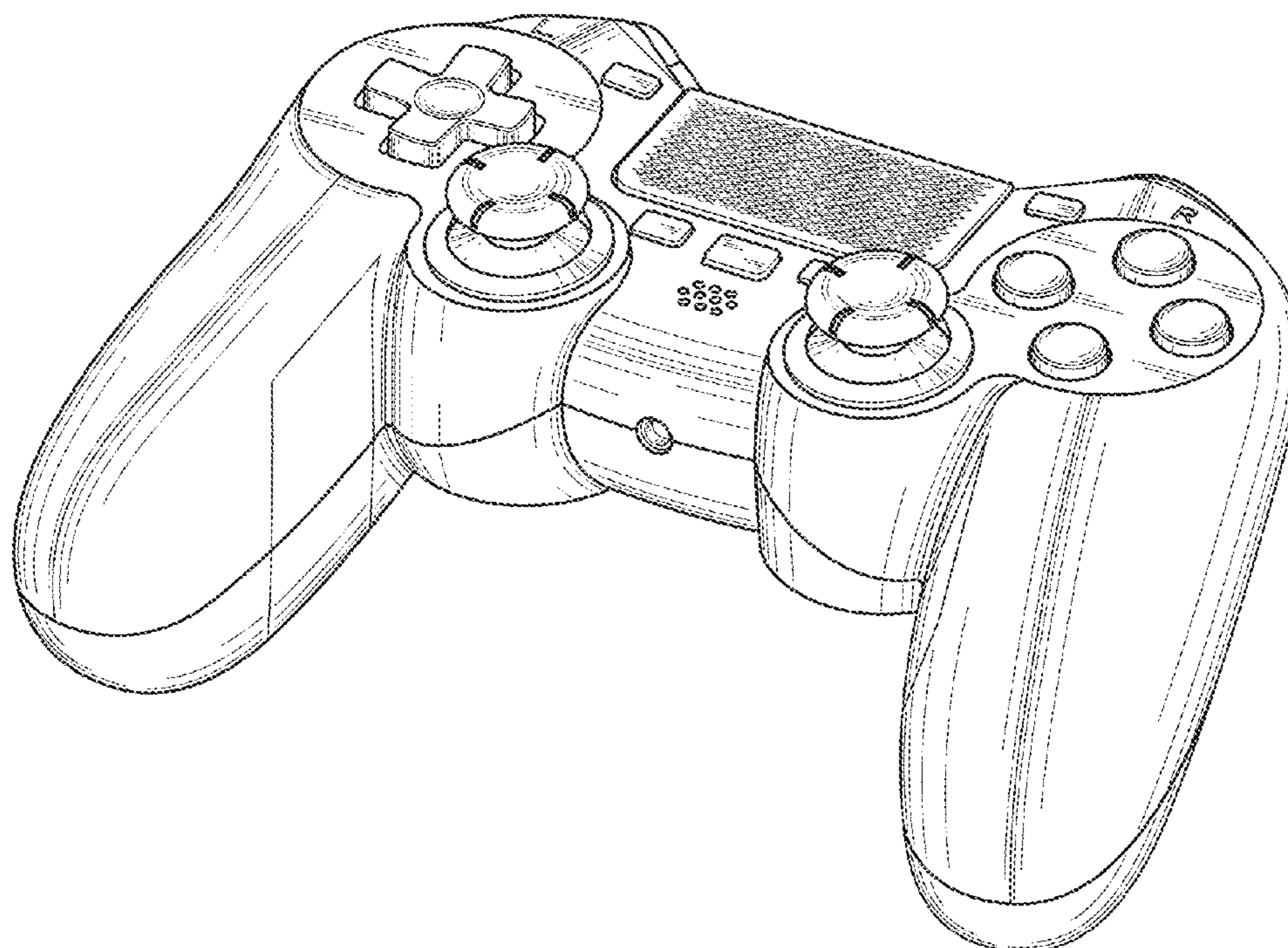
FIG. 5 is a left side view thereof;

FIG. 6 is a bottom view thereof; and,

FIG. 7 is a top view thereof.

The broken lines in the figures illustrate portions of the game controller that form no part of the claimed design.

**1 Claim, 7 Drawing Sheets**



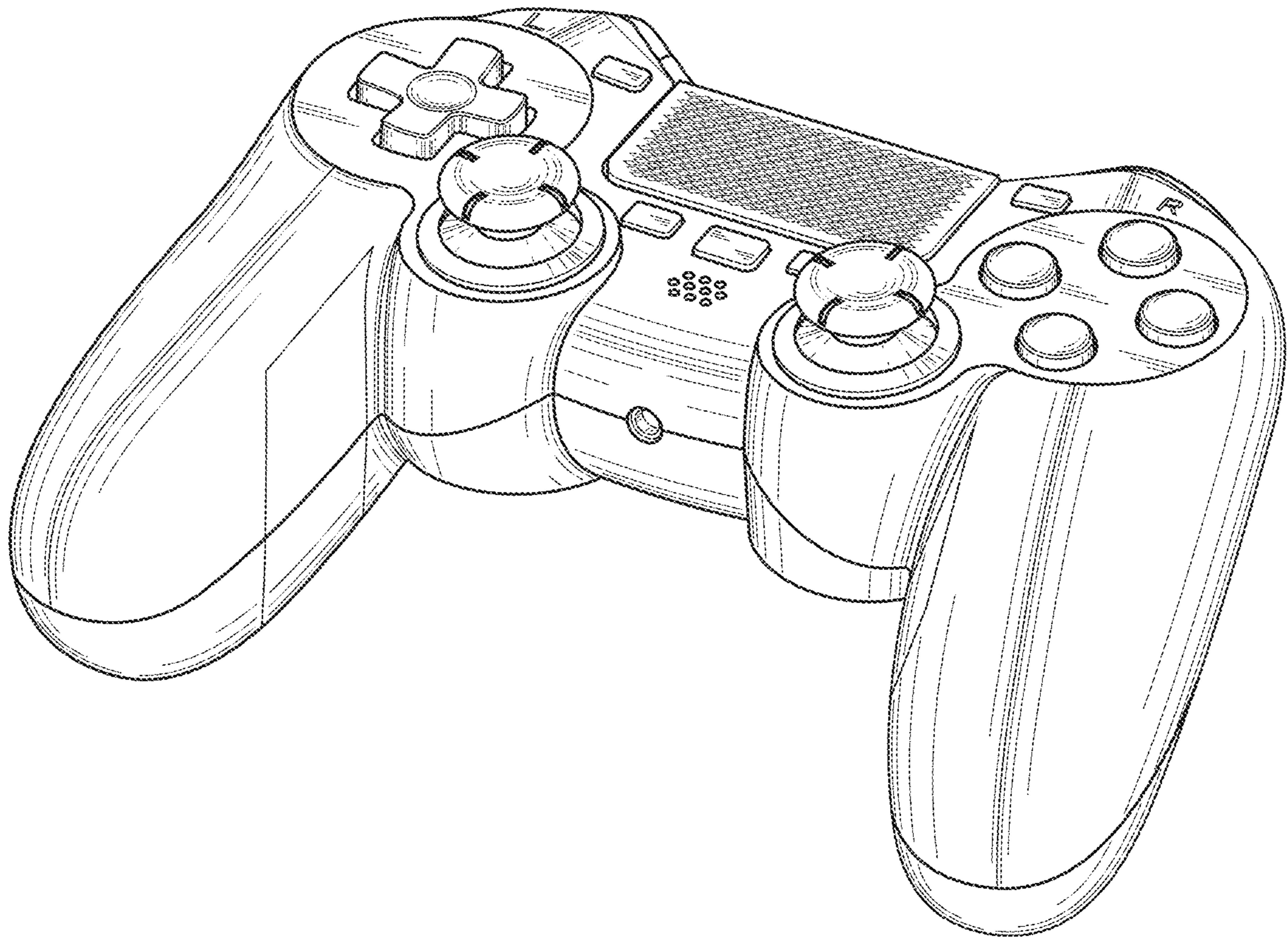


Fig. 1

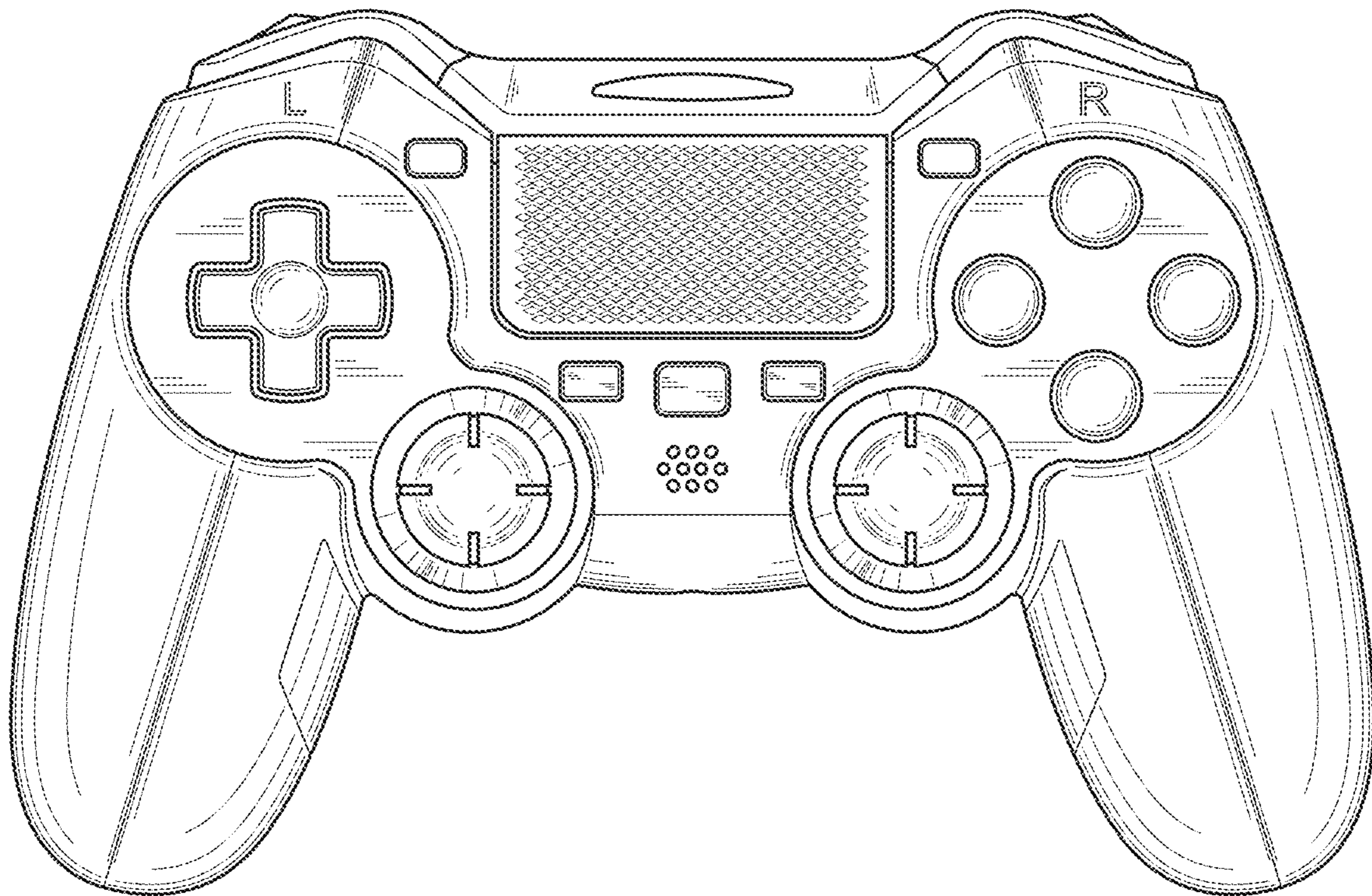


Fig. 2

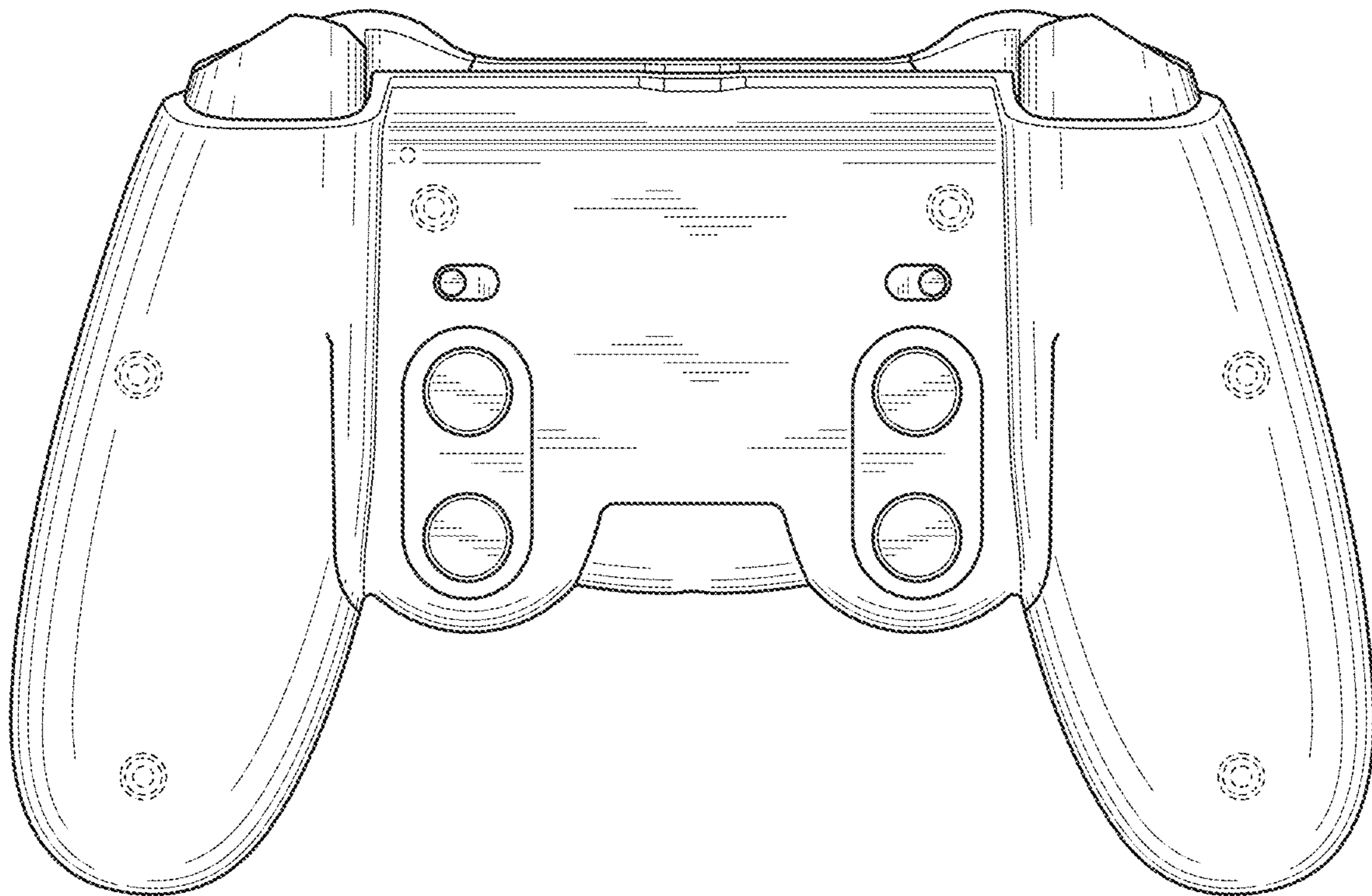


Fig. 3

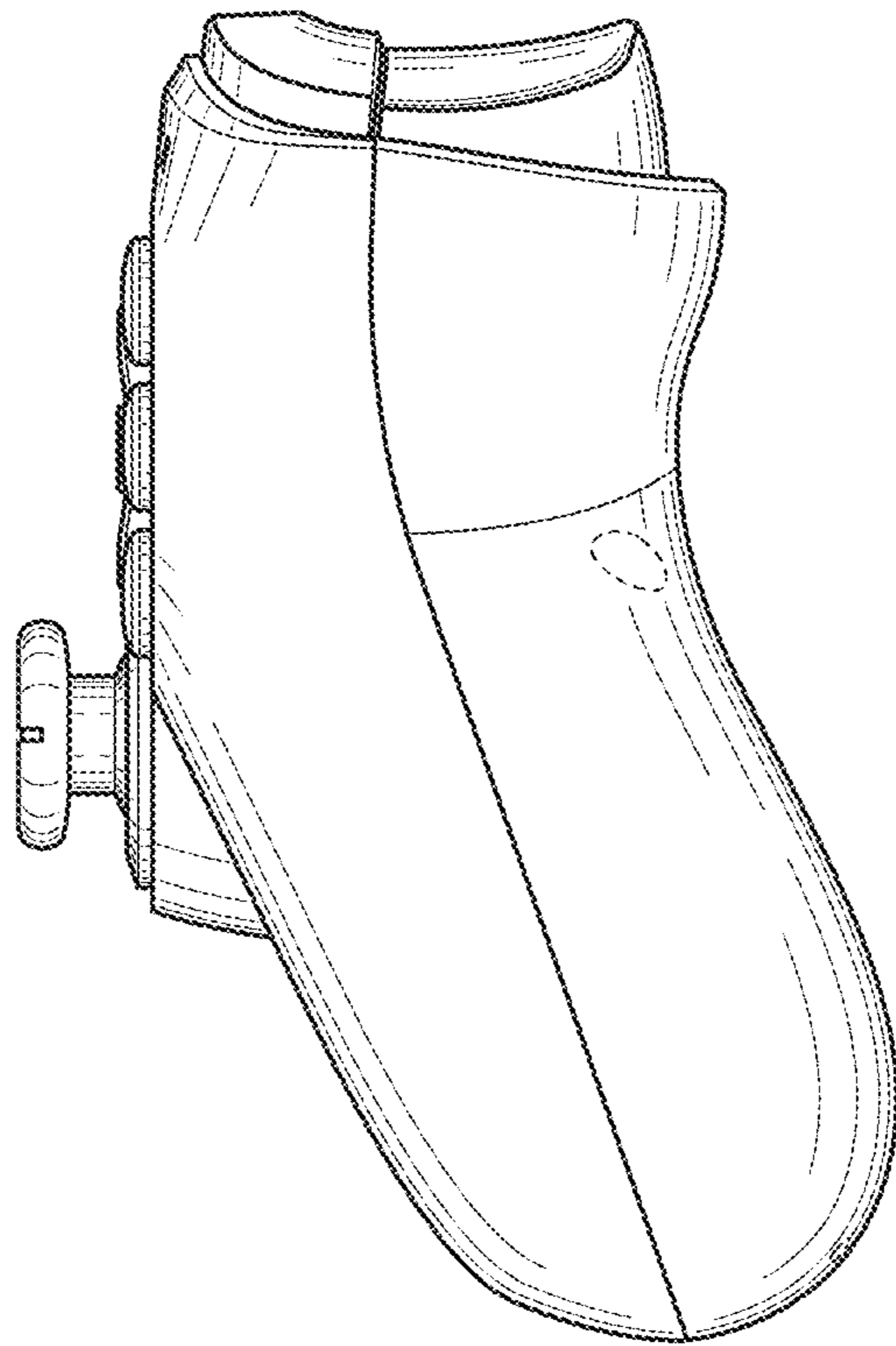


Fig. 4

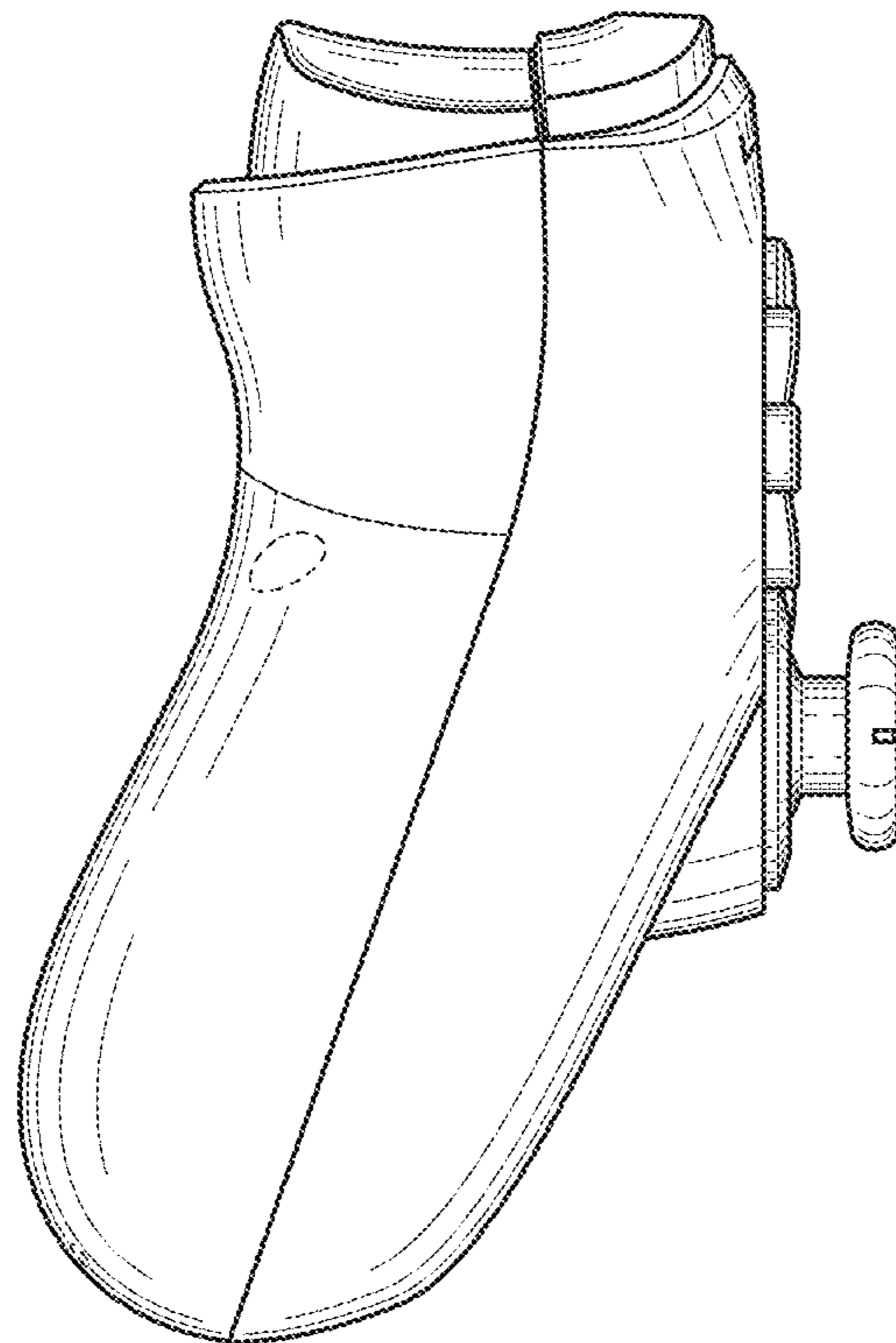


Fig. 5

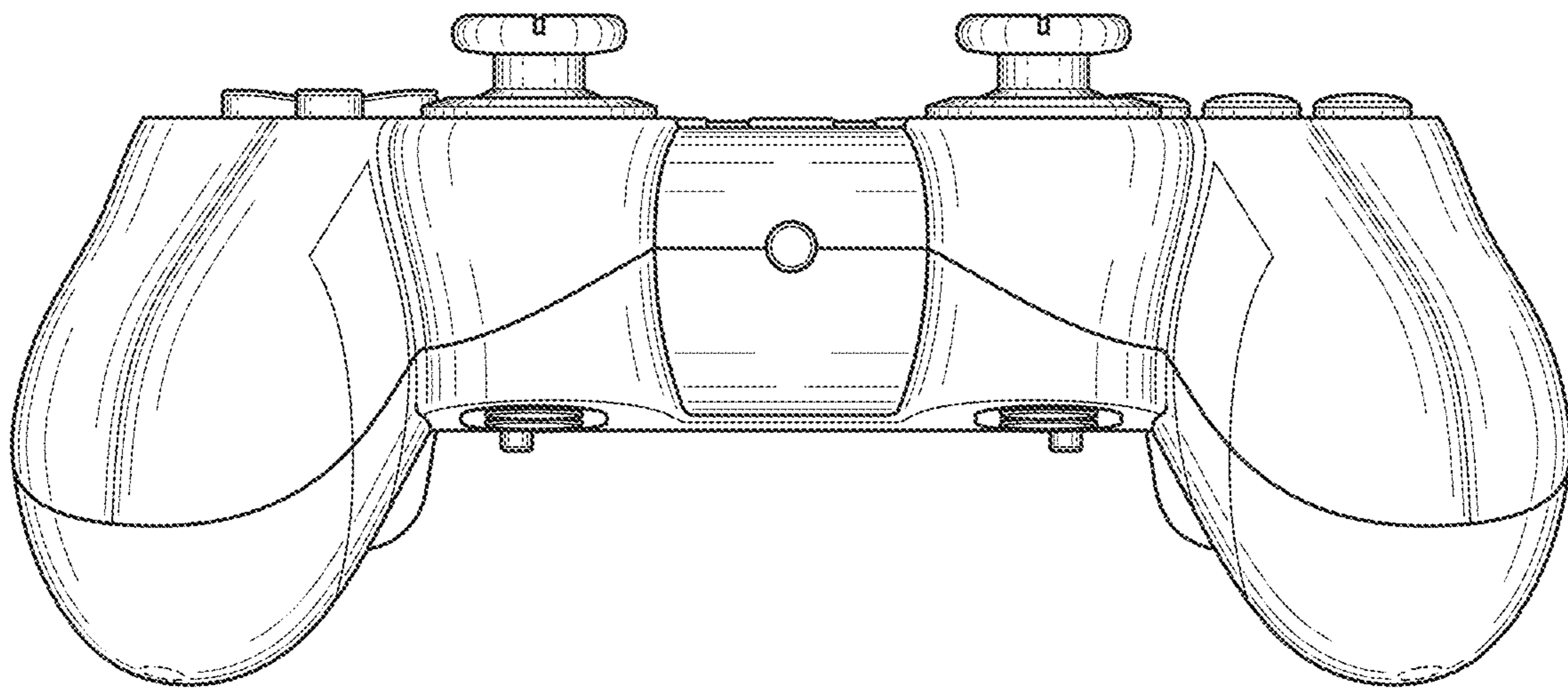


Fig. 6

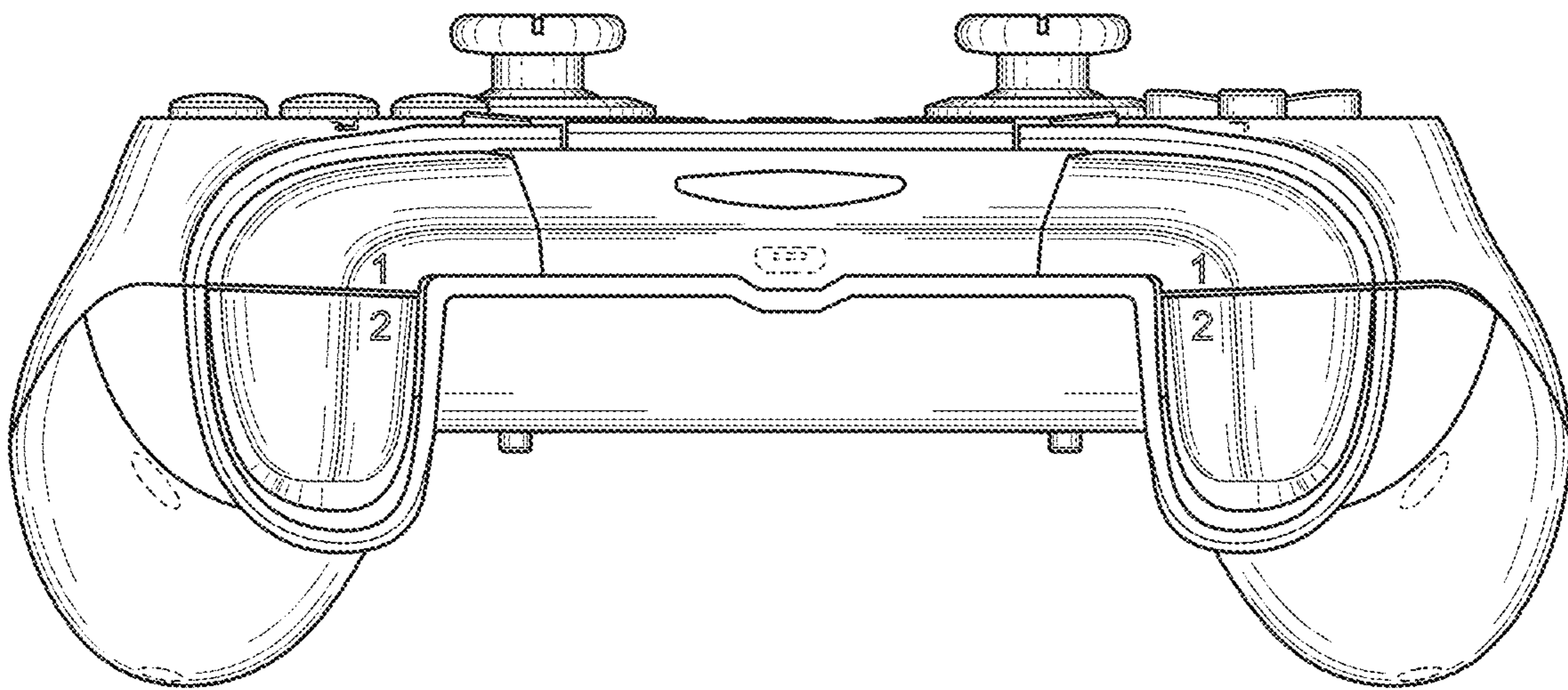


Fig. 7