



US00D947946S

(12) **United States Design Patent**  
**Luo et al.**

(10) **Patent No.:** **US D947,946 S**  
(45) **Date of Patent:** **\*\* Apr. 5, 2022**

(54) **GAME CONTROLLER**

(71) Applicant: **Xiaohua Luo**, Ezhou (CN)

(72) Inventors: **Xiaohua Luo**, Ezhou (CN); **Daoyou Wang**, Ezhou (CN)

(73) Assignee: **Xiaohua Luo**, Ezhou (CN)

(\*\*) Term: **15 Years**

(21) Appl. No.: **29/721,010**

(22) Filed: **Jan. 17, 2020**

(51) **LOC (13) Cl.** ..... **21-01**

(52) **U.S. Cl.**  
USPC ..... **D21/333**

(58) **Field of Classification Search**  
USPC ..... D30/302, 303, 304, 306, 309, 322, 401, D30/466, 699, 716, 719, 788; D9/436, D9/455, 715, 601; 473/422, 423, 429, 473/430, 507, 508, 514; 273/320, 332; D21/302, 303, 304, 306, 309, 322, 401, D21/466, 699, 716, 719, 788, 324, 333, D21/385, 386; D14/218, 356, 387, 388, D14/389, 390, 399-406, 412-416, 426, D14/429, 443, 448, 449, 450, 454, 471, D14/496, 511; D12/174, 177; D13/164-168  
CPC ..... A63B 69/0079; A63B 2071/026; A45C 13/00; A63F 13/22; A63F 13/24; A63F 13/40  
See application file for complete search history.

D736,762 S *	8/2015	Lovoi .....	D14/333
D736,860 S *	8/2015	Lovoi .....	D21/333
D768,786 S *	10/2016	Seflic .....	D21/333
D769,982 S *	10/2016	Konishi .....	D21/333
D794,027 S *	8/2017	Ironmonger .....	D14/401
D795,961 S *	8/2017	Chatterjee .....	D21/333
D816,083 S *	4/2018	Wu .....	D14/401
D816,674 S *	5/2018	Wu .....	D14/401
D819,641 S *	6/2018	Tsuchiya .....	D14/401
D870,817 S *	12/2019	Yeung .....	D21/333
D871,505 S *	12/2019	Wang .....	D21/333
D881,281 S *	4/2020	Tong .....	D21/333
D885,387 S *	5/2020	Hu .....	D14/401
D888,832 S *	6/2020	Tong .....	D21/333
D890,263 S *	7/2020	Tong .....	D21/333
D894,281 S *	8/2020	Wang .....	D21/333

\* cited by examiner

*Primary Examiner* — Sandra Snapp  
*Assistant Examiner* — Mehri Bajoul  
 (74) *Attorney, Agent, or Firm* — Bayramoglu Law Offices LLC

(57) **CLAIM**

The ornamental design for a game controller, as shown.

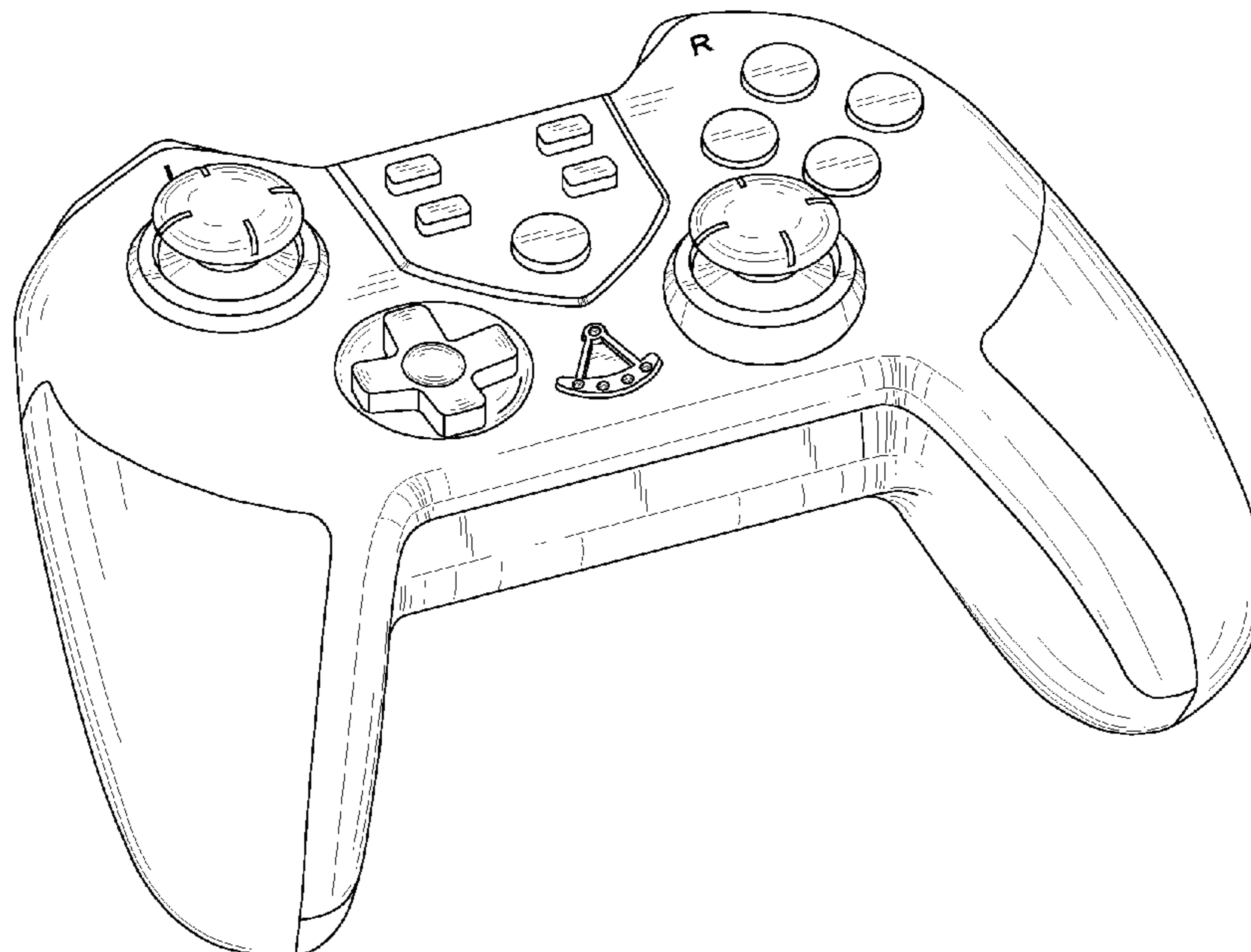
**DESCRIPTION**

FIG. 1 is a front perspective view of a game controller showing our new design;  
 FIG. 2 is a front view thereof;  
 FIG. 3 is a rear view thereof;  
 FIG. 4 is a left side view thereof;  
 FIG. 5 is a right side view thereof;  
 FIG. 6 is a top view thereof;  
 FIG. 7 is a bottom view thereof; and,  
 FIG. 8 is a rear perspective view thereof.

**1 Claim, 8 Drawing Sheets**

(56) **References Cited**  
 U.S. PATENT DOCUMENTS

D707,758 S *	6/2014	Norman .....	D21/566
D712,408 S *	9/2014	Sumii .....	D14/401



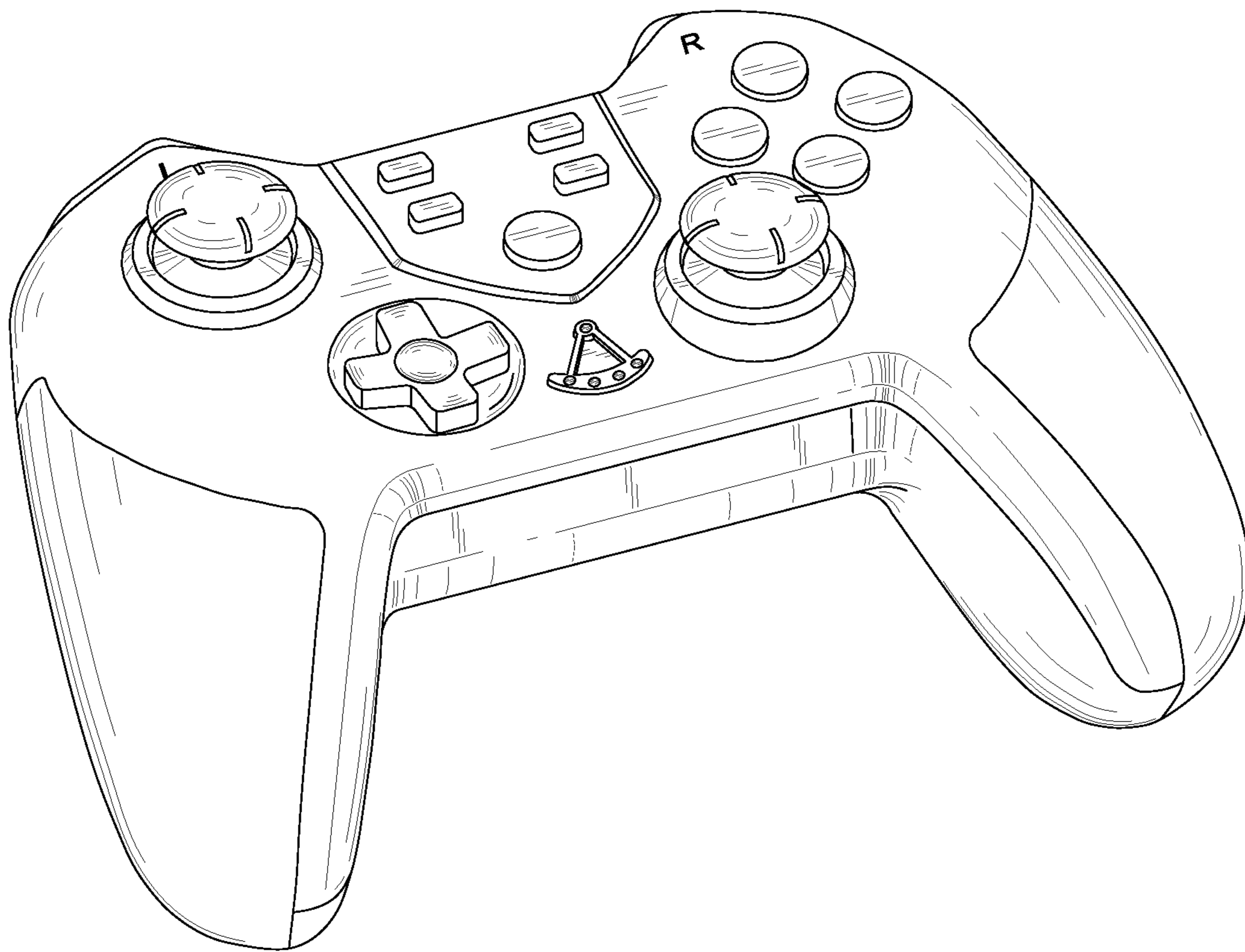


FIG. 1

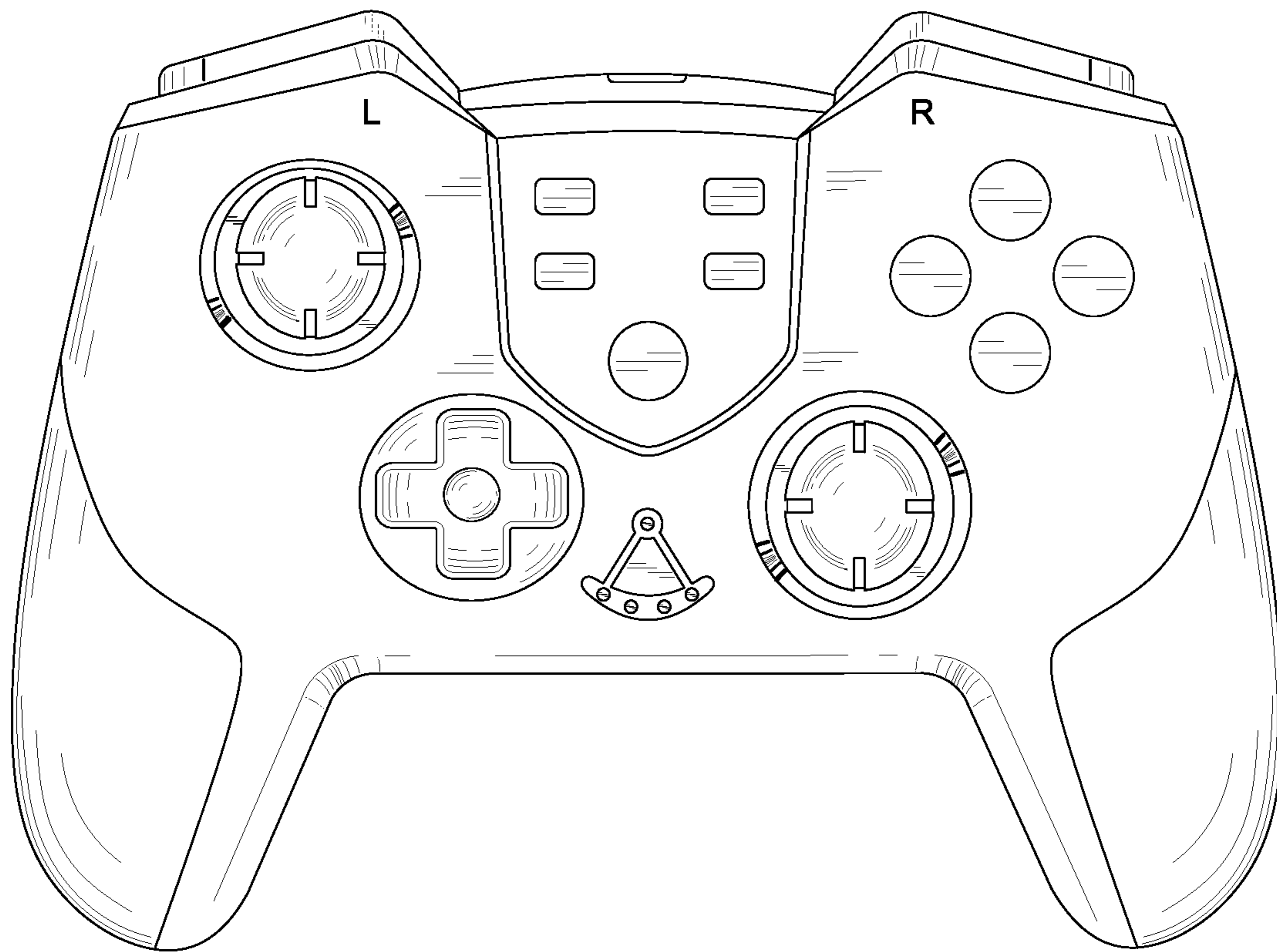


FIG. 2

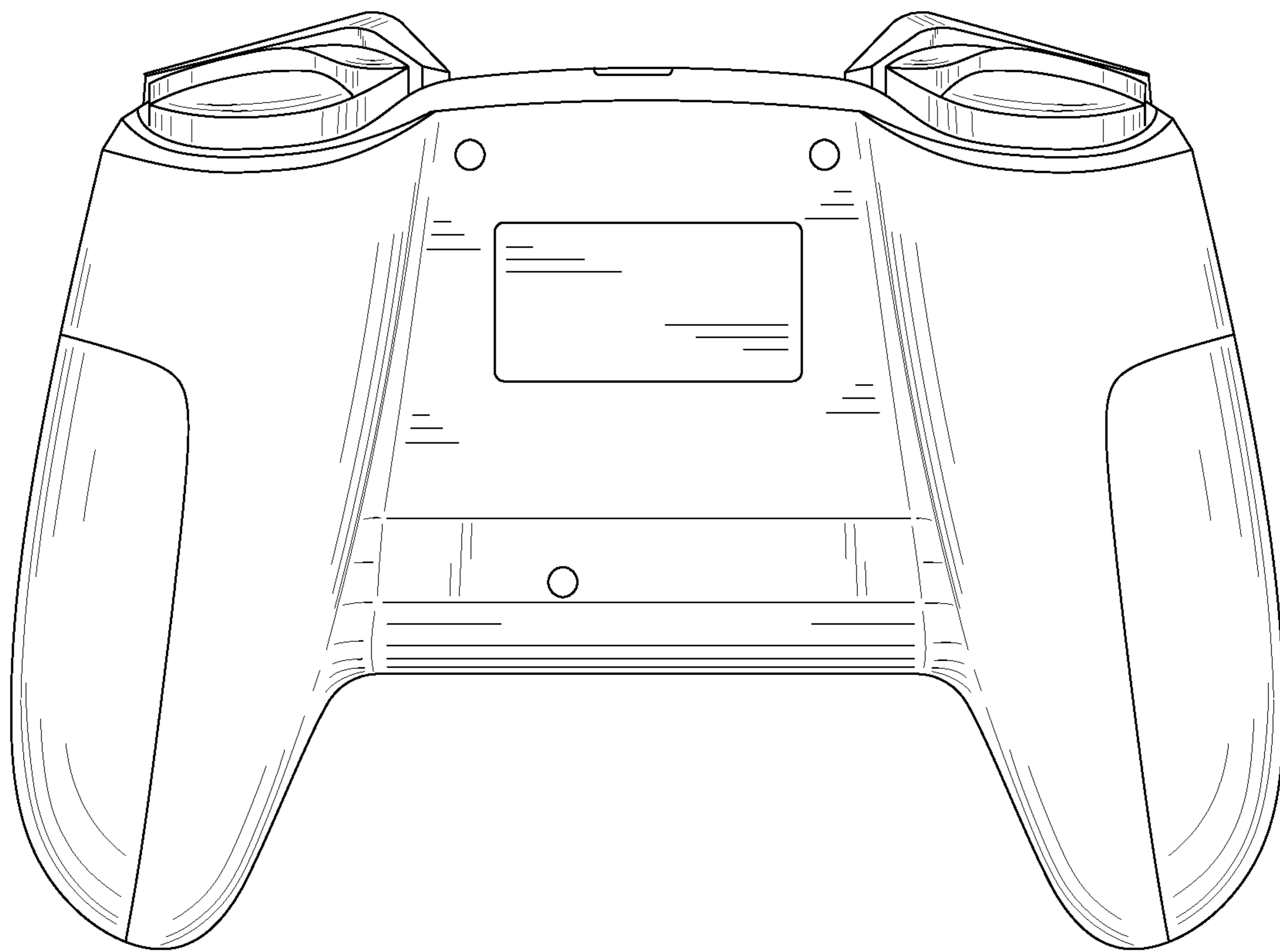


FIG. 3

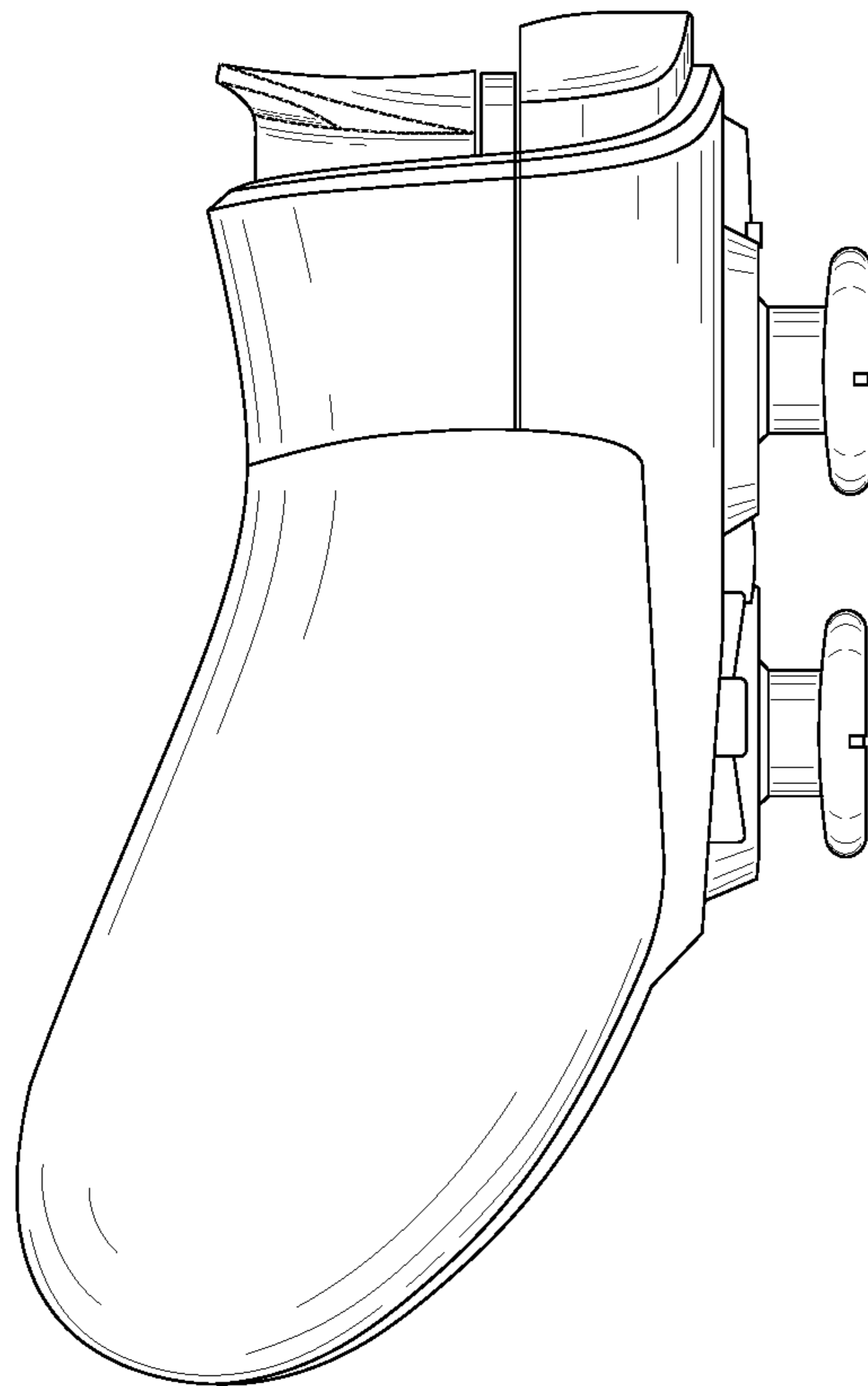


FIG. 4

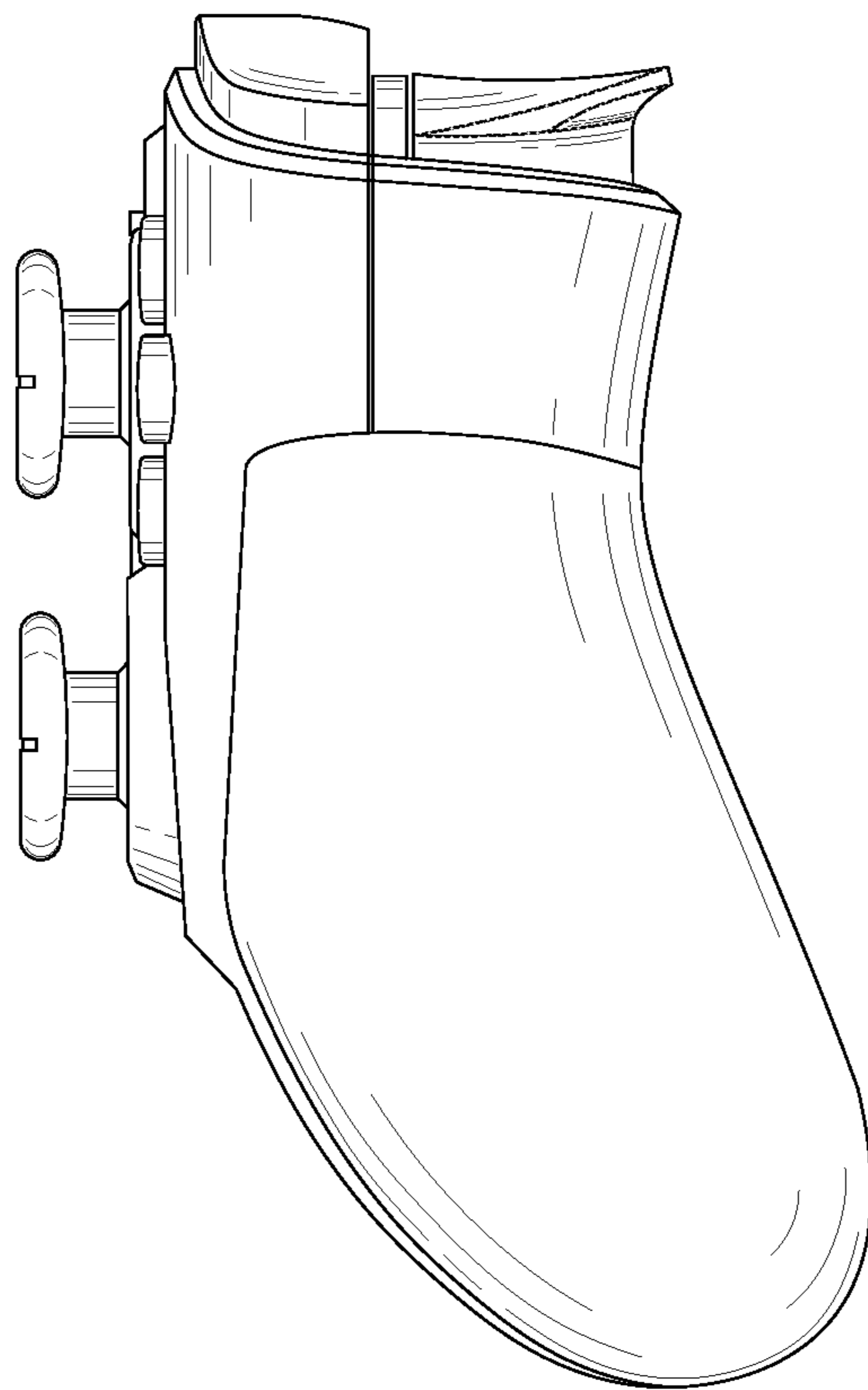


FIG. 5

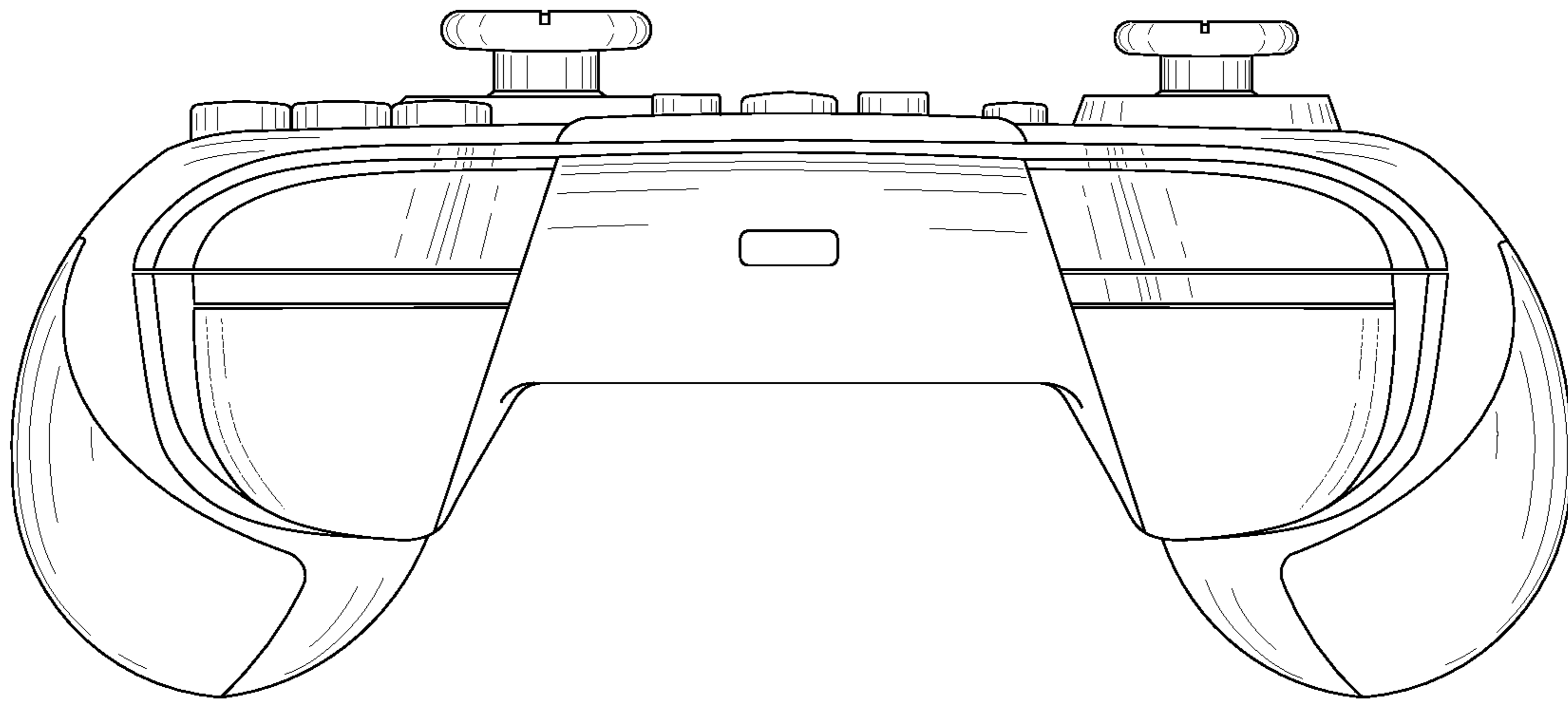


FIG. 6

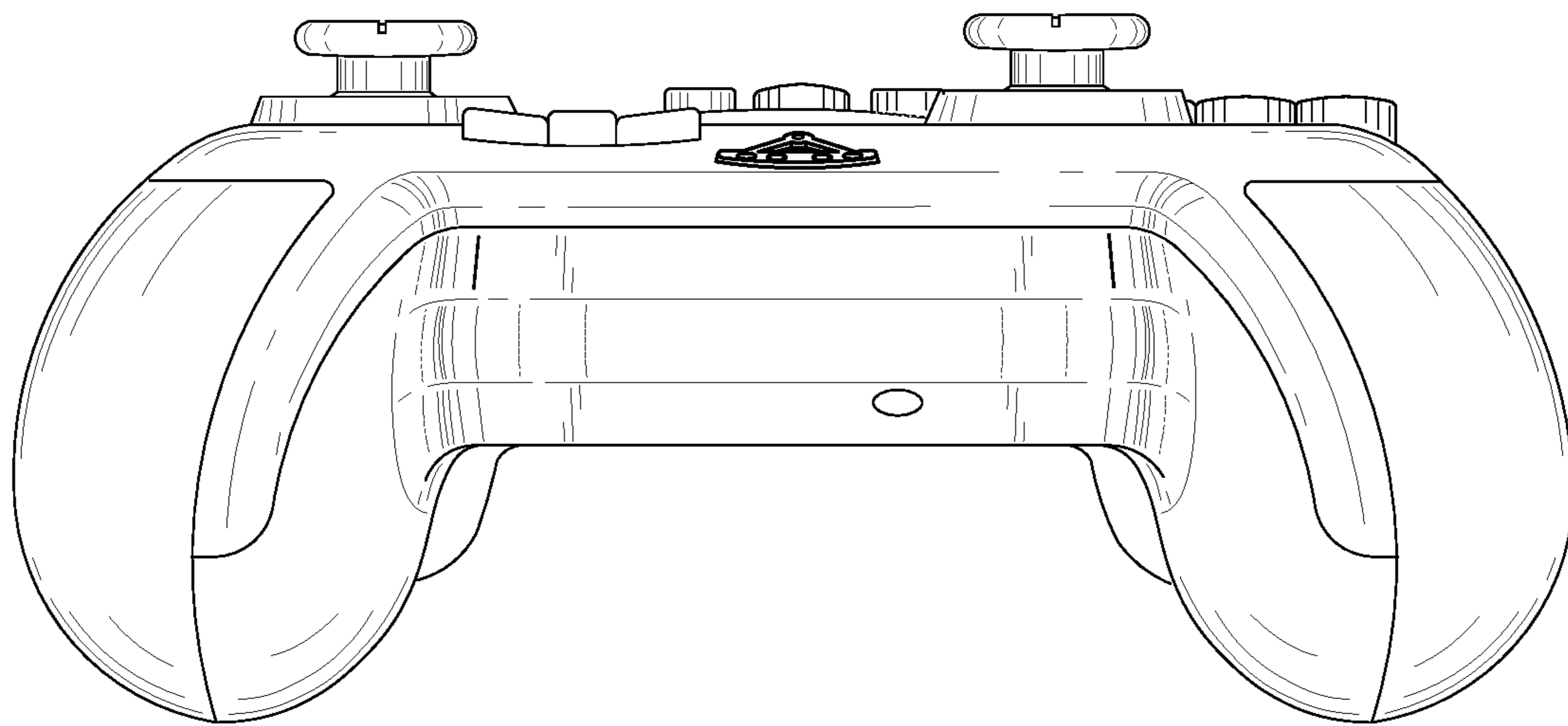


FIG. 7



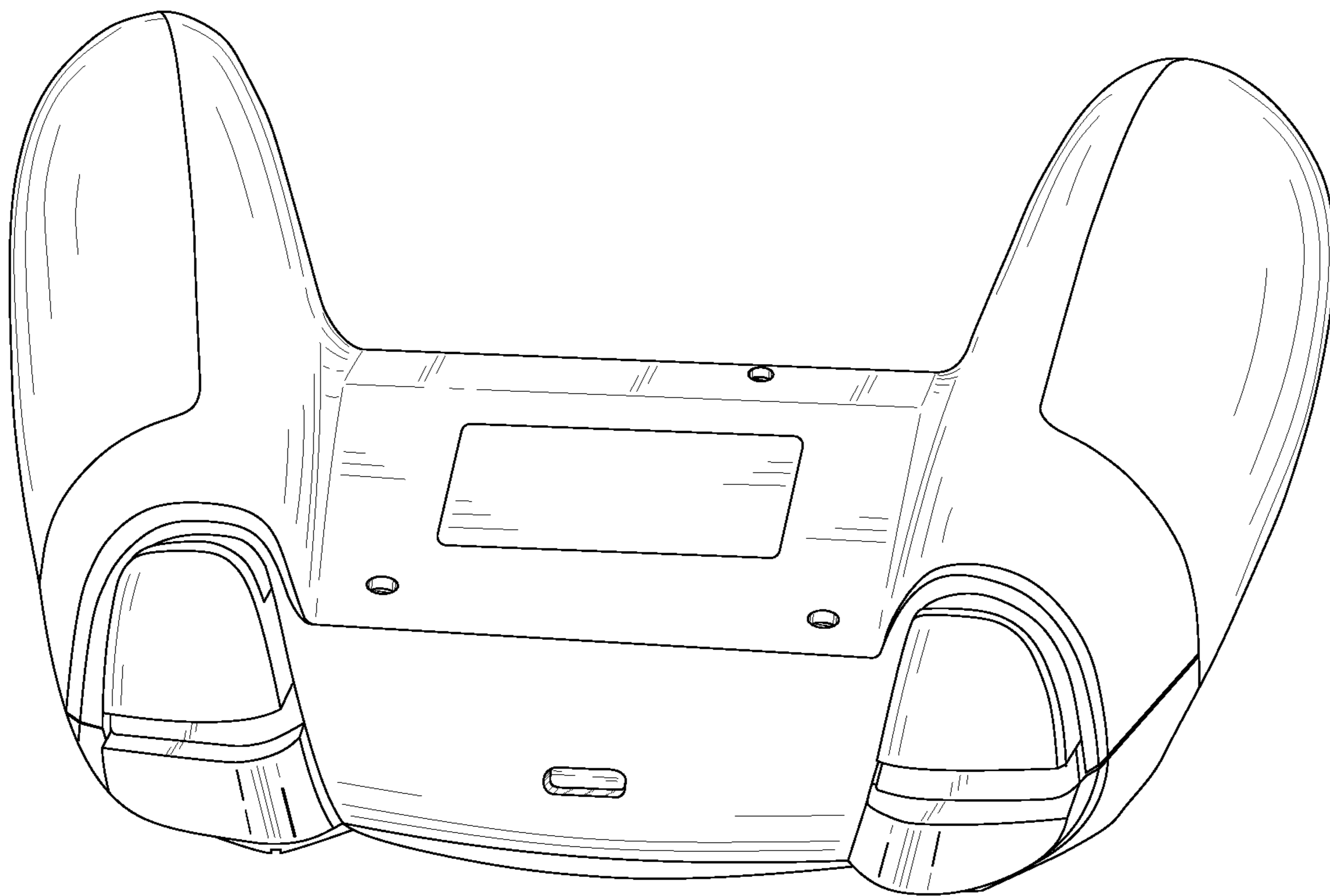


FIG. 8