

US00D947938S

(12) **United States Design Patent** (10) **Patent No.:** **US D947,938 S**  
**Carpenter et al.** (45) **Date of Patent:** **\*\* Apr. 5, 2022**

(54) **TONER CARTRIDGE**

(71) Applicant: **LEXMARK INTERNATIONAL, INC.**, Lexington, KY (US)  
(72) Inventors: **Brian Scott Carpenter**, Lexington, KY (US); **Gregory Alan Cavill**, Winchester, KY (US); **Jeffrey Lawrence Tonges**, Versailles, KY (US)

(73) Assignee: **Lexmark International, Inc.**, Lexington, KY (US)

(\*\*) Term: **15 Years**  
(21) Appl. No.: **29/719,282**  
(22) Filed: **Jan. 2, 2020**

**Related U.S. Application Data**

(63) Continuation of application No. 29/710,459, filed on Oct. 23, 2019.  
(51) **LOC (13) Cl.** ..... **16-03**  
(52) **U.S. Cl.**  
USPC ..... **D18/56**  
(58) **Field of Classification Search**  
USPC ..... D15/122, 135-138, 141, 66, 73, 76-78, D15/89; D18/53, 59, 50, 14, 19, 54-57, D18/36-45, 34.4, 34.5, 34.6, 18, 51, 12, D18/46-49; D14/301-303, 307, 345, D14/420-425, 462; D6/691.4, 675, 708; D13/107, 108; D19/92, 77, 99; D7/554.3, 637; D3/304, 313; D9/424; D8/313, 314, 301, 315, 300, 302, 307; D34/1  
CPC ..... B41J 2/14; B41J 1/54; B41J 3/4073; B41J 3/4078; B41F 17/22; B41F 17/003; B41F 17/38; B28B 1/001; G03G 15/08; G03G 15/0891; G03G 15/0875; G03G 2215/0827; G03G 2215/0855; G03G 21/1842

See application file for complete search history.

(56) **References Cited**

U.S. PATENT DOCUMENTS

D479,263 S \* 9/2003 Batori ..... D18/40  
7,139,510 B2 11/2006 Carter et al.  
7,305,204 B2 12/2007 Carter et al.

(Continued)

FOREIGN PATENT DOCUMENTS

EP 007816772-0001 \* 5/2020

OTHER PUBLICATIONS

Lexmark, LEXB341H00, B341H00 High Yield Return Program Toner Cartridge, published Jun. 2, 2020 [online], [retrieved Jul. 14, 2021], Available from Internet, URL: <https://www.amazon.com/Lexmark-LEXB341H00-B341H00-Program-Cartridge/dp/B089KR32P6>.\*

(Continued)

*Primary Examiner* — Leanne Was-Englehart

(74) *Attorney, Agent, or Firm* — Justin M. Tromp

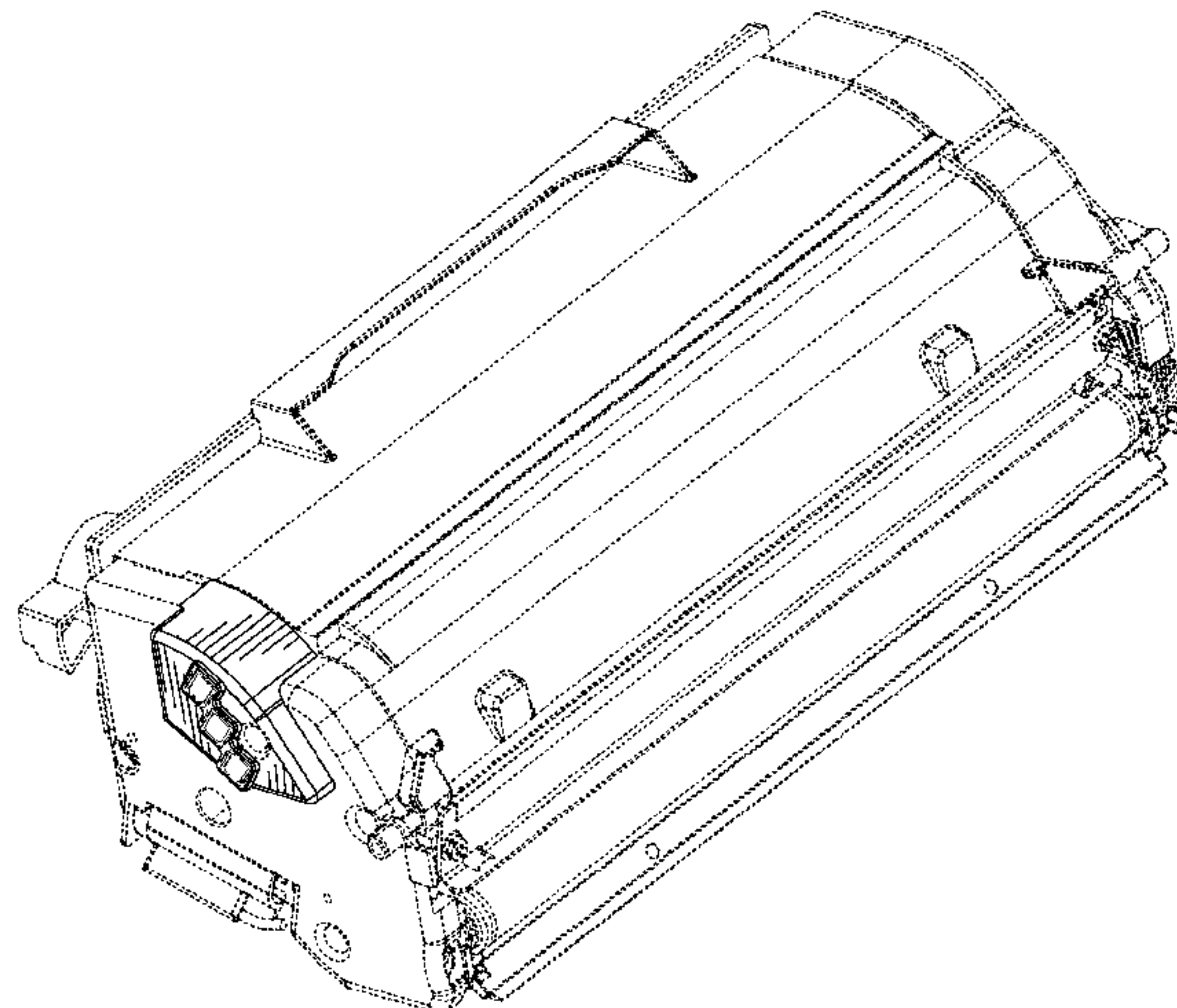
(57) **CLAIM**

The ornamental design for a toner cartridge, as shown and described.

**DESCRIPTION**

FIG. 1 is a left, front, top perspective view of a toner cartridge showing the new design;  
FIG. 2 is a right, rear, top perspective view thereof;  
FIG. 3 is a right, front, bottom perspective view thereof;  
FIG. 4 is a left, rear, bottom perspective view thereof;  
FIG. 5 is a front elevation view thereof;  
FIG. 6 is a rear elevation view thereof;  
FIG. 7 is a left elevation view thereof;  
FIG. 8 is a right elevation view thereof;  
FIG. 9 is a top plan view thereof; and,  
FIG. 10 is a bottom plan view thereof.

(Continued)



The features shown in broken lines depict portions of the toner cartridge that form no part of the claimed design.

**1 Claim, 10 Drawing Sheets**

(56)

**References Cited**

U.S. PATENT DOCUMENTS

D645,503	S	9/2011	Carter, II et al.	
D693,400	S	11/2013	Boettcher et al.	
D695,338	S	12/2013	Boettcher et al.	
D695,821	S *	12/2013	Carter, II	D18/43
8,989,611	B2 *	3/2015	Leemhuis	G03G 15/086 399/61
9,145,008	B2 *	9/2015	Nakajima	B41J 3/4075
9,152,080	B2 *	10/2015	Leemhuis	G03G 15/086
D787,589	S *	5/2017	Sakano	D18/56
10,018,960	B2 *	7/2018	Itabashi	G03G 15/0863
D854,078	S	7/2019	Anderson, Jr. et al.	
D881,986	S *	4/2020	Harada	D18/43
10,649,389	B1 *	5/2020	Carpenter	G03G 21/1867
10,649,399	B1 *	5/2020	Leemhuis	G03G 21/1652
10,698,363	B1 *	6/2020	Carpenter	G03G 15/80
10,725,424	B1 *	7/2020	Carpenter	G03G 21/1671

10,761,476	B1 *	9/2020	Leemhuis	G03G 15/087
10,809,661	B1 *	10/2020	Carpenter	G03G 21/1647
D916,958	S *	4/2021	Fujii	D18/43
2013/0170874	A1 *	7/2013	Carter, II	G03G 15/0891 399/263
2018/0181027	A1 *	6/2018	Mimura	G03G 21/1647
2020/0089158	A1 *	3/2020	Shimizu	G03G 21/1814
2020/0218175	A1 *	7/2020	Johnson, Jr	G03G 15/0891
2020/0356025	A1 *	11/2020	Carpenter	G03G 21/1676
2021/0157264	A1 *	5/2021	Carpenter	G03G 21/1647
2021/0181670	A1 *	6/2021	Williamson	G03G 21/1676
2021/0200113	A1 *	7/2021	Tonges	G03G 15/0233
2021/0200115	A1 *	7/2021	Carpenter	G03G 15/0889
2021/0200144	A1 *	7/2021	Cavill	G03G 21/168

OTHER PUBLICATIONS

U.S. Appl. No. 29/687,971, filed Apr. 17, 2019 (Amann et al.).  
 U.S. Appl. No. 29/687,975, filed Apr. 17, 2019 (Amann et al.).  
 U.S. Appl. No. 29/687,978, filed Apr. 17, 2019 (Amann et al.).  
 U.S. Appl. No. 29/687,982, filed Apr. 17, 2019 (Amann et al.).  
 U.S. Appl. No. 29/710,459, filed Oct. 23, 2019 (Carpenter et al.).  
 U.S. Appl. No. 29/719,259, filed Jan. 2, 2020 (Carpenter et al.).  
 U.S. Appl. No. 29/719,266, filed Jan. 2, 2020 (Carpenter et al.).  
 U.S. Appl. No. 29/719,275, filed Jan. 2, 2020 (Siekman et al.).

\* cited by examiner

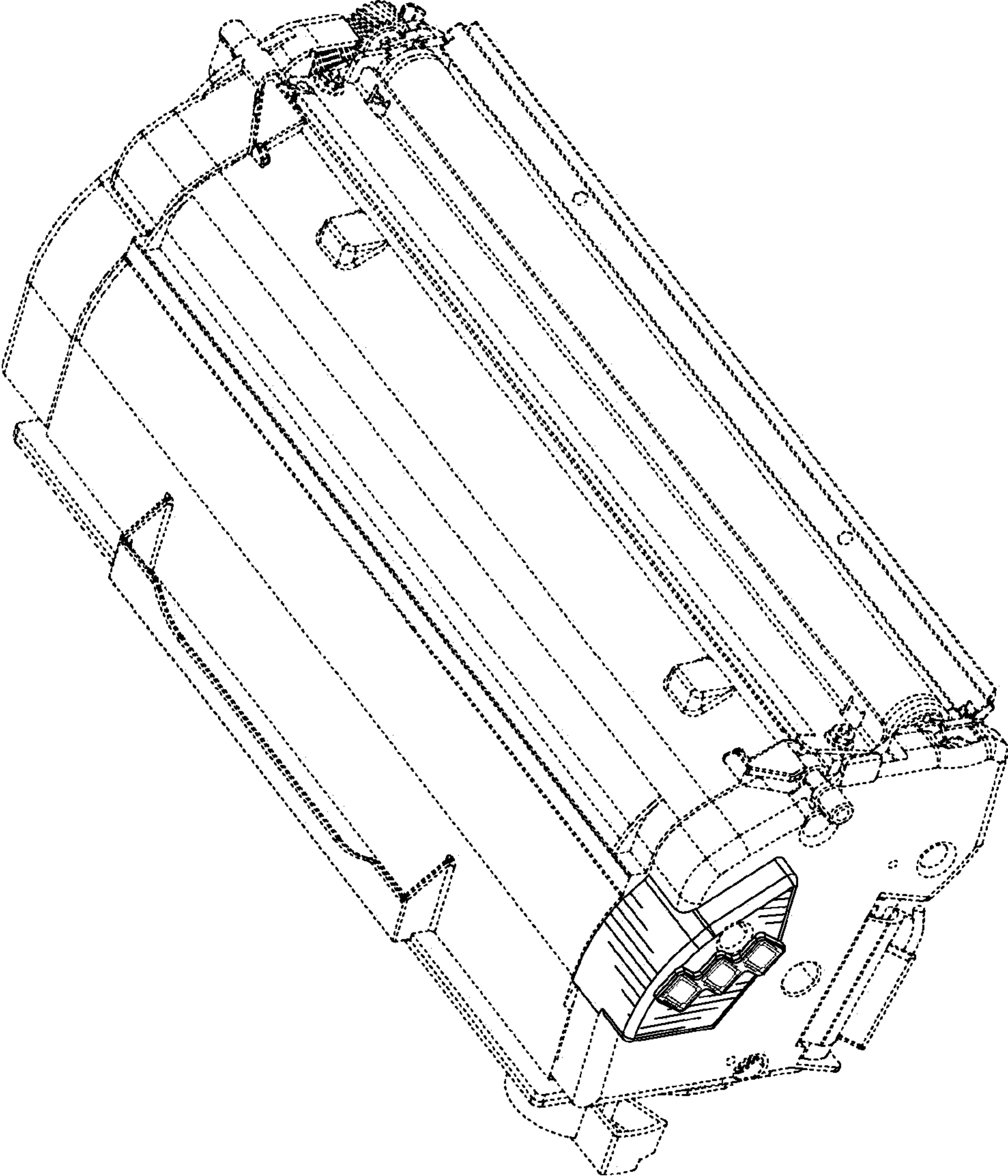


FIG. 1



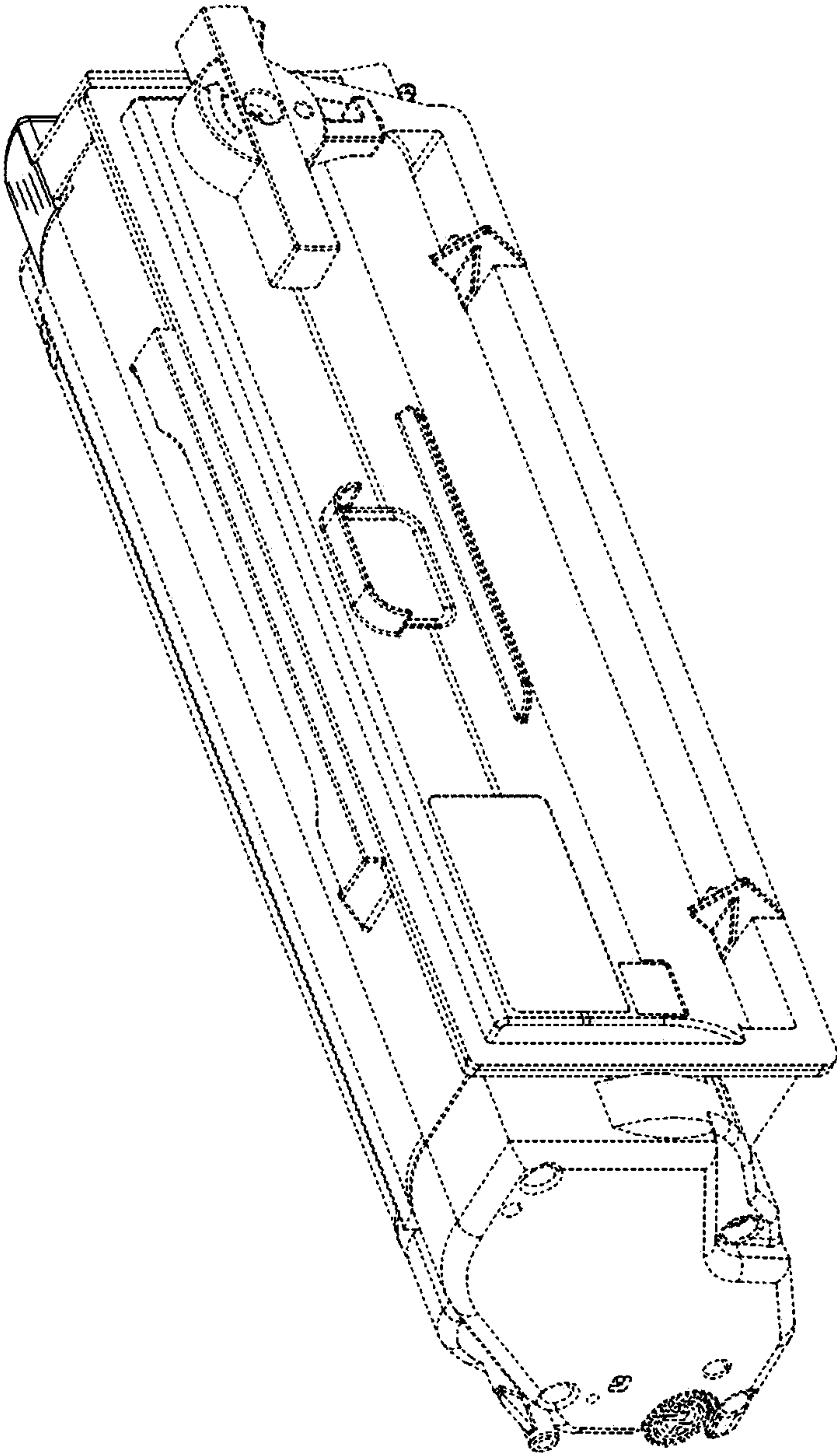


FIG. 2

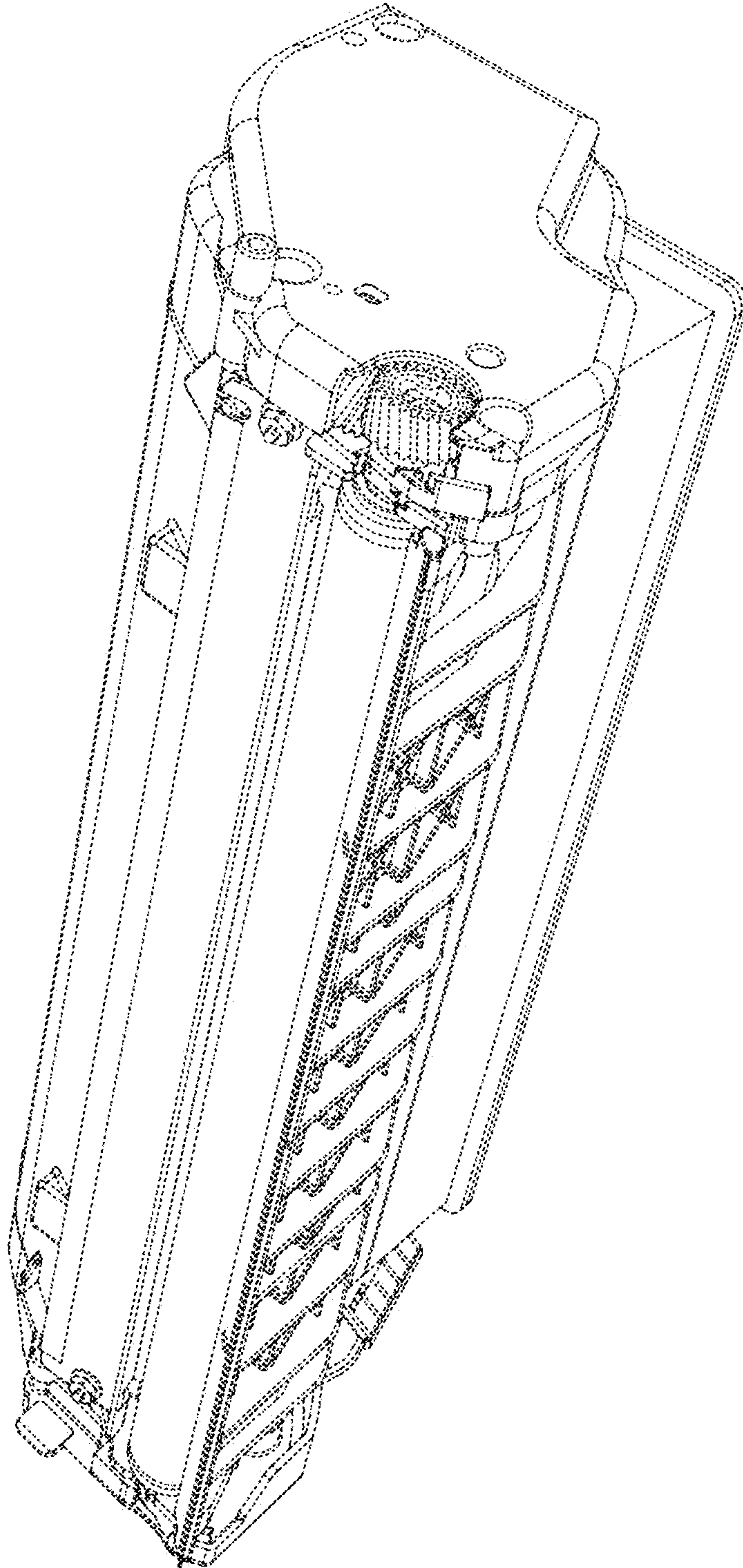


FIG. 3

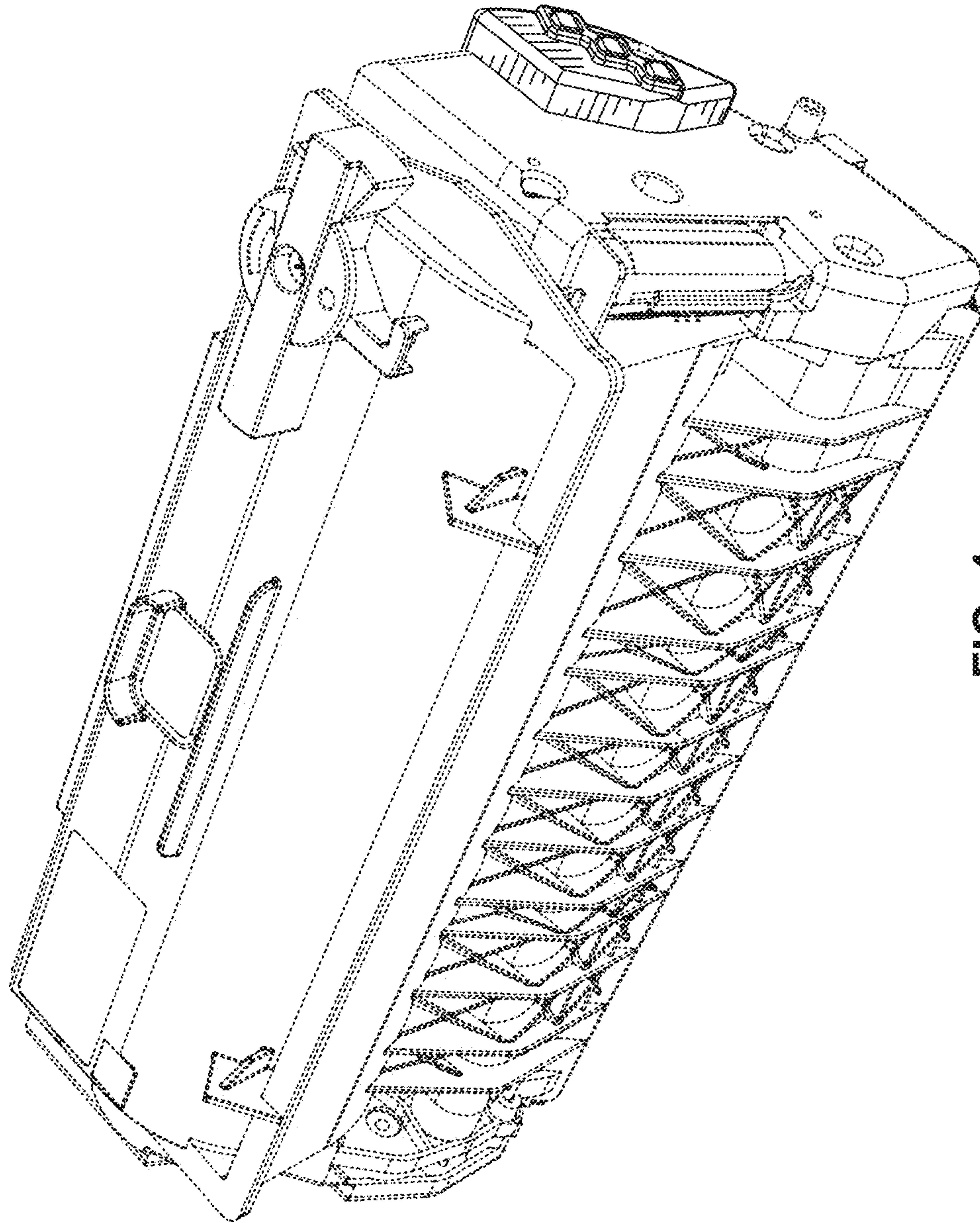


FIG. 4



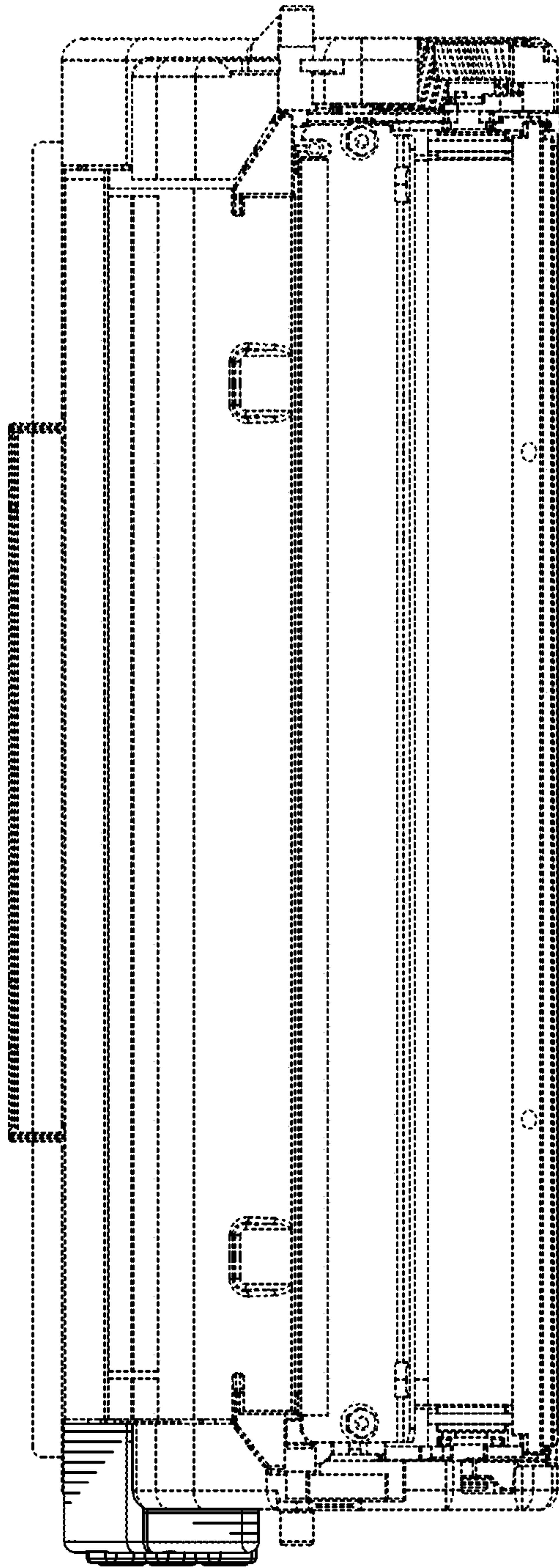


FIG. 5

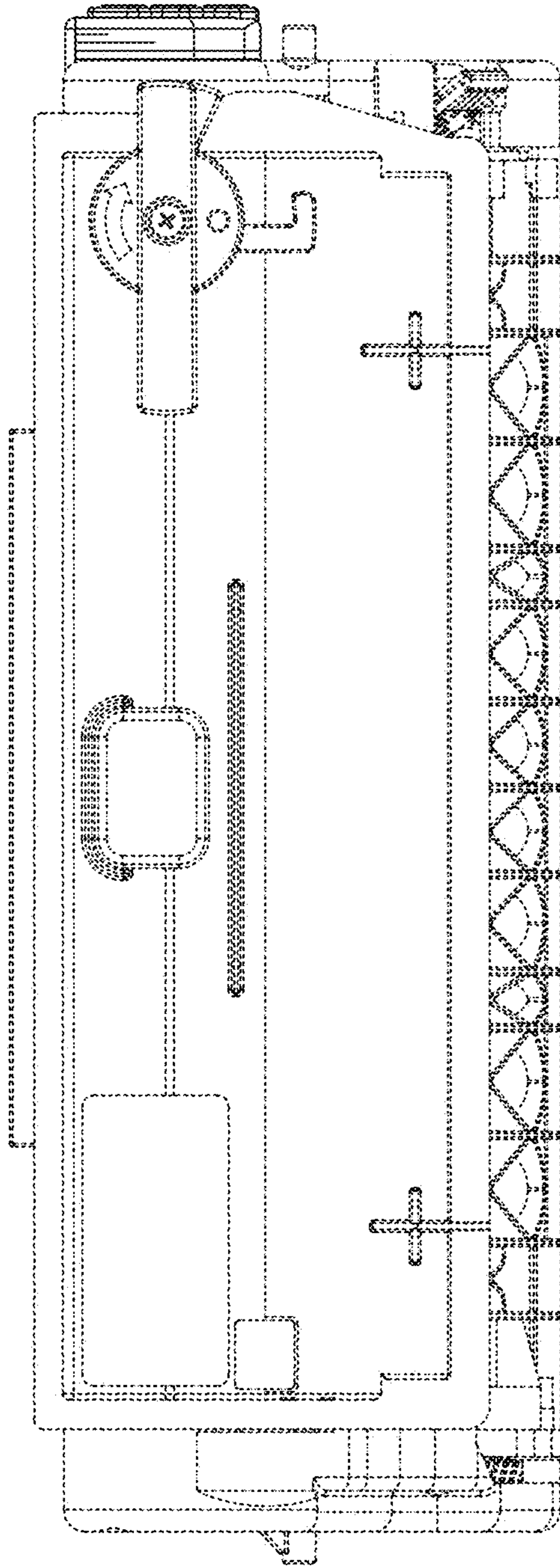


FIG. 6



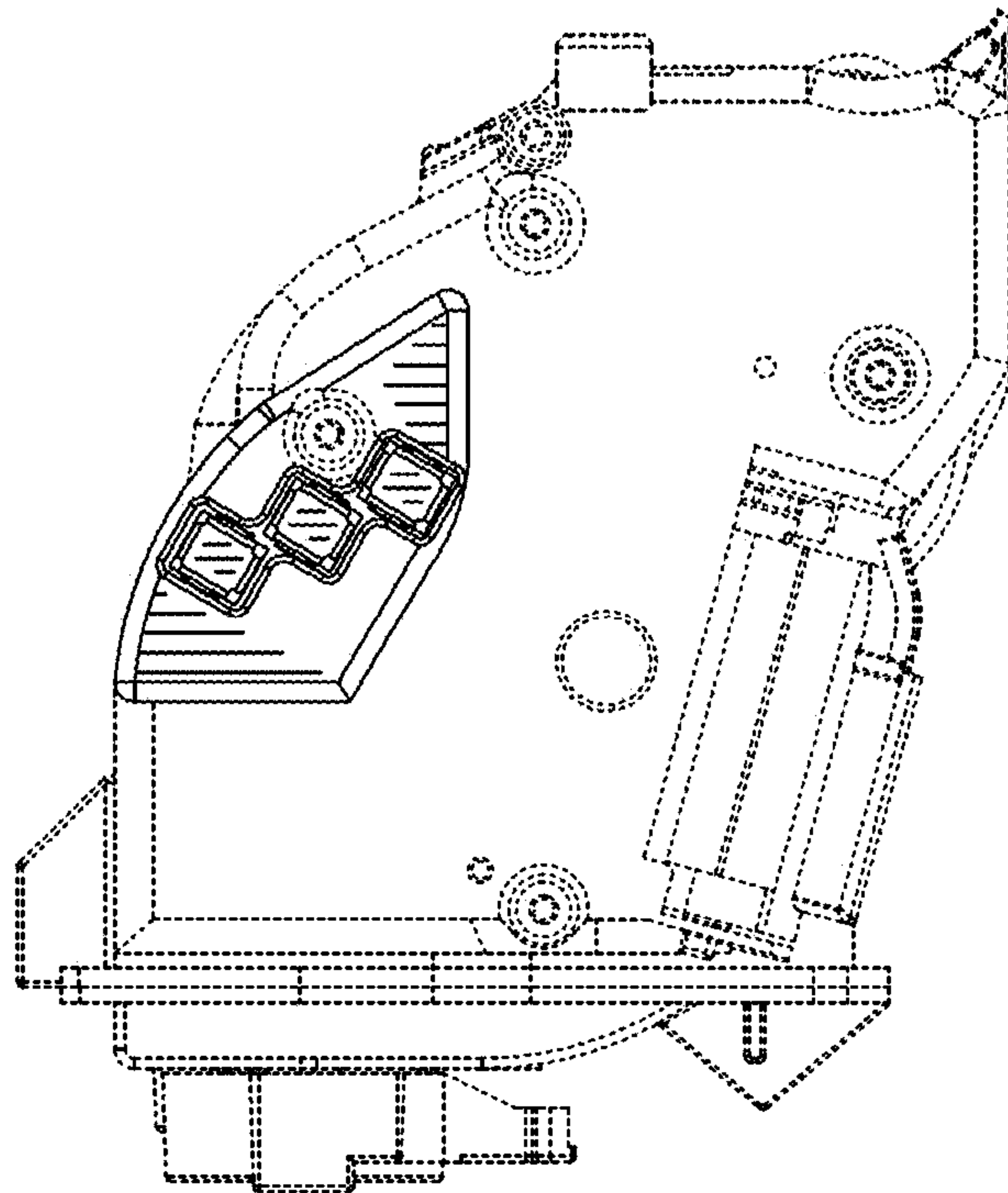


FIG. 7

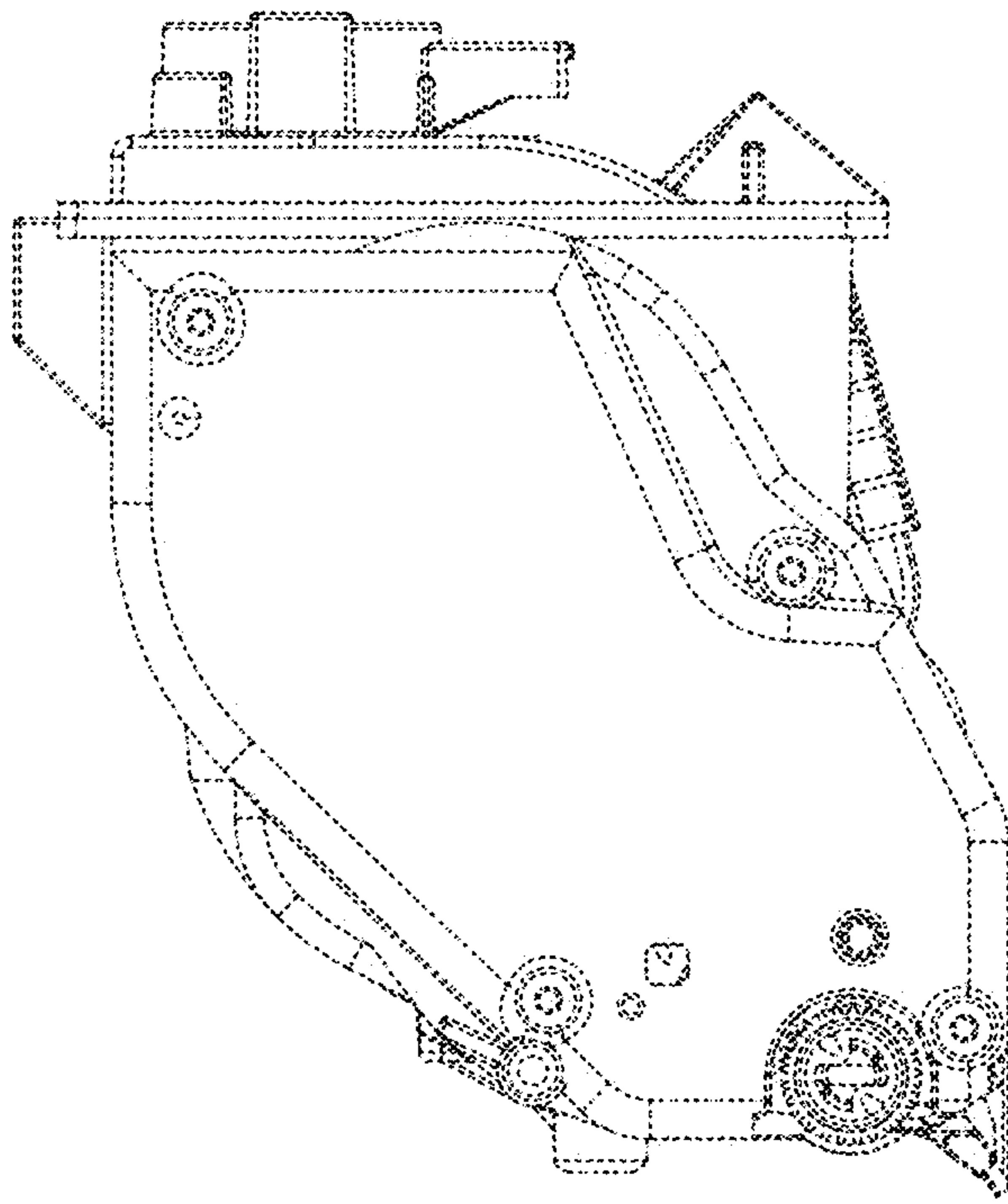


FIG. 8

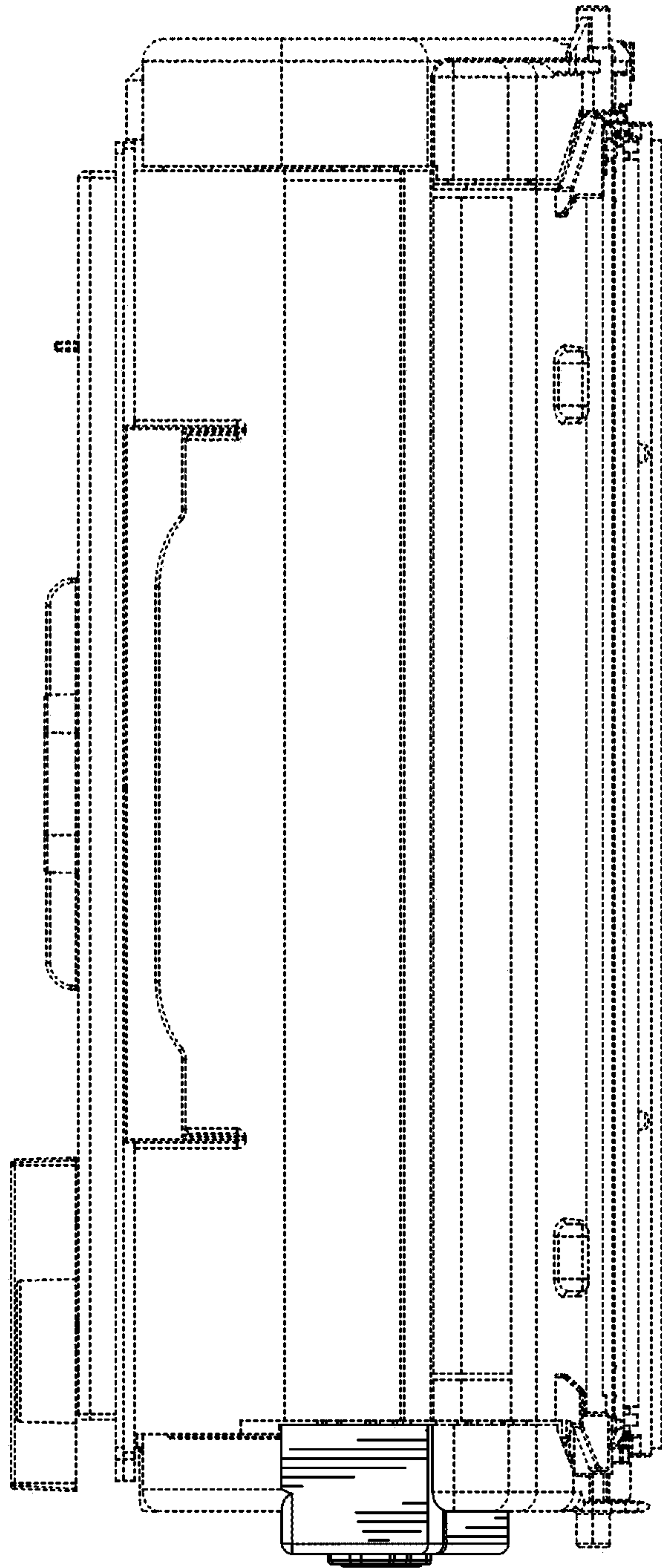


FIG. 9



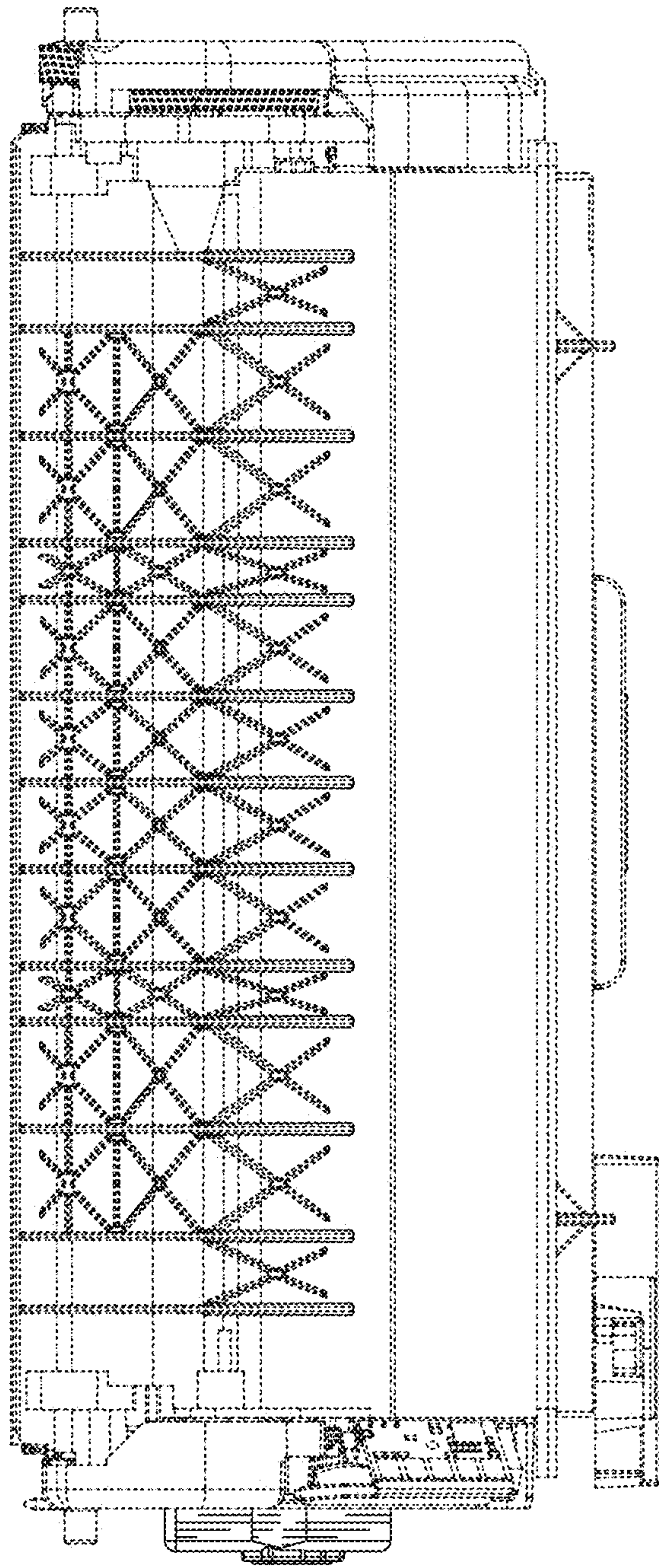


FIG. 10