



US00D947937S

(12) **United States Design Patent** (10) **Patent No.:** **US D947,937 S**
Carpenter et al. (45) **Date of Patent:** **** Apr. 5, 2022**

(54) **TONER CARTRIDGE**

(56) **References Cited**

(71) Applicant: **LEXMARK INTERNATIONAL, INC.**, Lexington, KY (US)

U.S. PATENT DOCUMENTS

(72) Inventors: **Brian Scott Carpenter**, Lexington, KY (US); **Gregory Alan Cavill**, Winchester, KY (US); **Jay Scott Siekmann**, Nicholasville, KY (US)

D117,667 S * 11/1939 Horsley D19/22
D172,206 S * 5/1954 Anderson D8/313
(Continued)

(73) Assignee: **Lexmark International, Inc.**, Lexington, KY (US)

FOREIGN PATENT DOCUMENTS

EM 007816772-0001 * 5/2020
EM 007816772-0002 * 5/2020
EM 007816772-0003 * 5/2020

(**) Term: **15 Years**

OTHER PUBLICATIONS

(21) Appl. No.: **29/719,266**

Lead Grey & Oak, no date available [online], [retrieved Jul. 14, 2021], Available from Internet, URL: <https://twbespoke.co.uk/lead-grey-%26-oak>.*

(22) Filed: **Jan. 2, 2020**

(Continued)

Related U.S. Application Data

(63) Continuation of application No. 29/710,459, filed on Oct. 23, 2019.

Primary Examiner — Leanne Was-Englehart

(51) **LOC (13) Cl.** **16-03**

(74) *Attorney, Agent, or Firm* — Justin M. Tromp

(52) **U.S. Cl.**
USPC **D18/56**

(57) **CLAIM**

The ornamental design for a toner cartridge, as shown and described.

(58) **Field of Classification Search**

DESCRIPTION

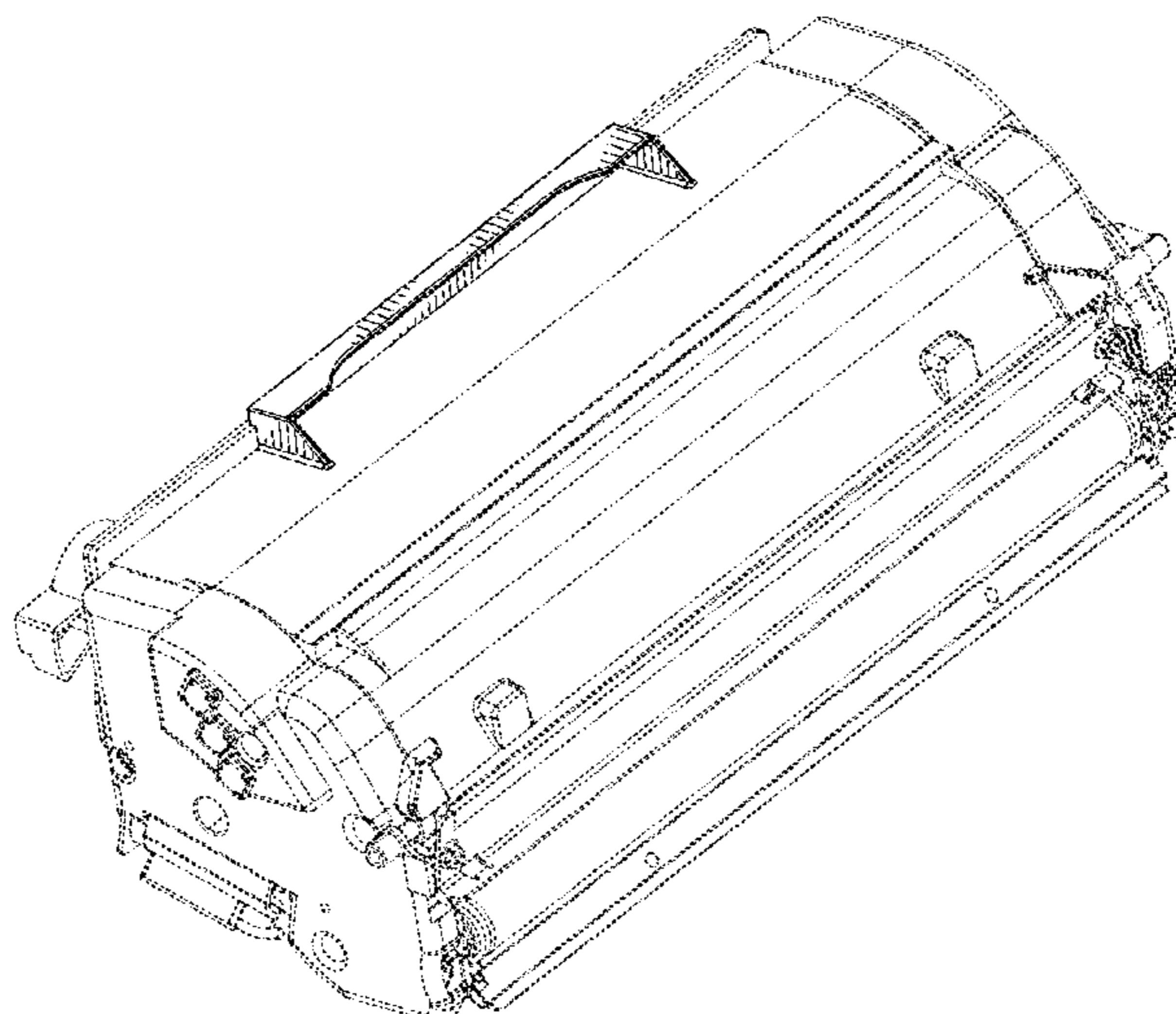
USPC D15/122, 135–138, 141, 66, 73, 76–78, D15/89; D18/53, 59, 50, 14, 19, 54–57, D18/36–45, 34.4, 34.5, 34.6, 18, 51, 12, D18/46–49; D14/301–303, 307, 345, D14/420–425, 462; D6/691.4, 675, 708; D13/107, 108; D19/92, 77, 99; D7/554.3, 637; D3/304, 313; D9/424; D8/313, 314, 301, 315, 300, 302, 307; D34/1
CPC B41J 2/14; B41J 1/54; B41J 3/4073; B41J 3/4078; B41F 17/22; B41F 17/003; B41F 17/38; B28B 1/001; G03G 15/08; G03G 15/0891; G03G 15/0875; G03G 2215/0827; G03G 2215/0855; G03G 21/1842

FIG. 1 is a left, front, top perspective view of a toner cartridge showing the new design;
FIG. 2 is a right, rear, top perspective view thereof;
FIG. 3 is a right, front, bottom perspective view thereof;
FIG. 4 is a left, rear, bottom perspective view thereof;
FIG. 5 is a front elevation view thereof;
FIG. 6 is a rear elevation view thereof;
FIG. 7 is a left elevation view thereof;
FIG. 8 is a right elevation view thereof;
FIG. 9 is a top plan view thereof; and,
FIG. 10 is a bottom plan view thereof.

The features shown in broken lines depict portions of the toner cartridge that form no part of the claimed design.

See application file for complete search history.

1 Claim, 10 Drawing Sheets



(56)

References Cited

U.S. PATENT DOCUMENTS

2,793,386 A * 5/1957 Muhlhauser A47B 95/02
16/416
D427,800 S * 7/2000 Dornbierer D19/92
D429,140 S * 8/2000 Schacht D8/314
D445,822 S * 7/2001 Tosa D18/40
D502,499 S * 3/2005 Mitani D18/46
D521,536 S * 5/2006 Reese D15/89
D529,954 S * 10/2006 Matsumoto D18/56
7,139,510 B2 11/2006 Carter et al.
D537,477 S * 2/2007 Lim D18/55
D538,338 S * 3/2007 Matsumoto 347/86
D547,368 S * 7/2007 Han D18/43
D551,286 S * 9/2007 Han D18/43
7,305,204 B2 12/2007 Carter et al.
D581,769 S * 12/2008 Mattson D8/307
D587,304 S * 2/2009 Murayama D18/43
D622,126 S * 8/2010 Burns D8/302
D637,225 S * 5/2011 Kishi D18/43
D645,503 S 9/2011 Carter, II et al.
D647,956 S * 11/2011 Kweon D18/43
D652,862 S * 1/2012 Mori D18/43
D655,332 S * 3/2012 Fujii D18/43
D679,750 S * 4/2013 Fujii D18/43
D690,514 S * 10/2013 Shamp D3/304
D693,400 S 11/2013 Boettcher et al.
D694,815 S * 12/2013 Fukamachi D18/43
D694,816 S * 12/2013 Fukamachi D18/43
D695,338 S 12/2013 Boettcher et al.
D718,381 S * 11/2014 Itabashi D18/43
D723,614 S * 3/2015 Shimizu D18/43
D783,286 S * 4/2017 Silverman D3/304
D802,928 S * 11/2017 Serimian D3/313
D810,193 S * 2/2018 Etoh D18/43
D854,078 S 7/2019 Anderson, Jr. et al.
D865,051 S * 10/2019 Yokoi D18/43
10,474,093 B1 * 11/2019 Amann G03G 21/1676

10,606,189 B1 * 3/2020 Zhu G03G 15/0891
10,649,399 B1 * 5/2020 Leemhuis G03G 21/1652
10,725,424 B1 * 7/2020 Carpenter G03G 21/1671
10,809,661 B1 * 10/2020 Carpenter G03G 21/1647
D906,618 S * 12/2020 Cant D34/1
2011/0280610 A1 * 11/2011 Itabashi G03G 15/0875
399/102
2012/0027454 A1 * 2/2012 Itabashi G03G 15/0875
399/110
2012/0121292 A1 * 5/2012 Okabe G03G 21/1821
399/119
2019/0391529 A1 * 12/2019 Abe G03G 21/1878
2020/0133188 A1 * 4/2020 Amann G03G 21/1867
2021/0181670 A1 * 6/2021 Williamson G03G 21/1676
2021/0200113 A1 * 7/2021 Tonges G03G 15/0233
2021/0200115 A1 * 7/2021 Carpenter G03G 15/0889
2021/0200144 A1 * 7/2021 Cavill G03G 21/168

OTHER PUBLICATIONS

Edge Profile Handle, no date available [online], [retrieved Jul. 14, 2021], Available from Internet, URL: <https://buildnext.in/598-mm-edge-profile-handle-5-anodised-champagne-finish-eph5-598-ac>.
Lexmark, LEXB341H00, B341H00 High Yield Return Program Toner Cartridge, published Jun. 2, 2020 [online], [retrieved Jul. 14, 2021], Available from Internet, URL: <https://www.amazon.com/Lexmark-LEXB341H00-B341H00-Program-Cartridge/dp/B089KR32P6>.
U.S. Appl. No. 29/687,971, filed Apr. 17, 2019 (Amann et al.).
U.S. Appl. No. 29/687,975, filed Apr. 17, 2019 (Amann et al.).
U.S. Appl. No. 29/687,978, filed Apr. 17, 2019 (Amann et al.).
U.S. Appl. No. 29/687,982, filed Apr. 17, 2019 (Amann et al.).
U.S. Appl. No. 29/710,459, filed Oct. 23, 2019 (Carpenter et al.).
U.S. Appl. No. 29/719,259, filed Jan. 2, 2020 (Carpenter et al.).
U.S. Appl. No. 29/719,275, filed Jan. 2, 2020 (Siekman et al.).
U.S. Appl. No. 29/719,282, filed Jan. 2, 2020 (Carpenter et al.).

* cited by examiner

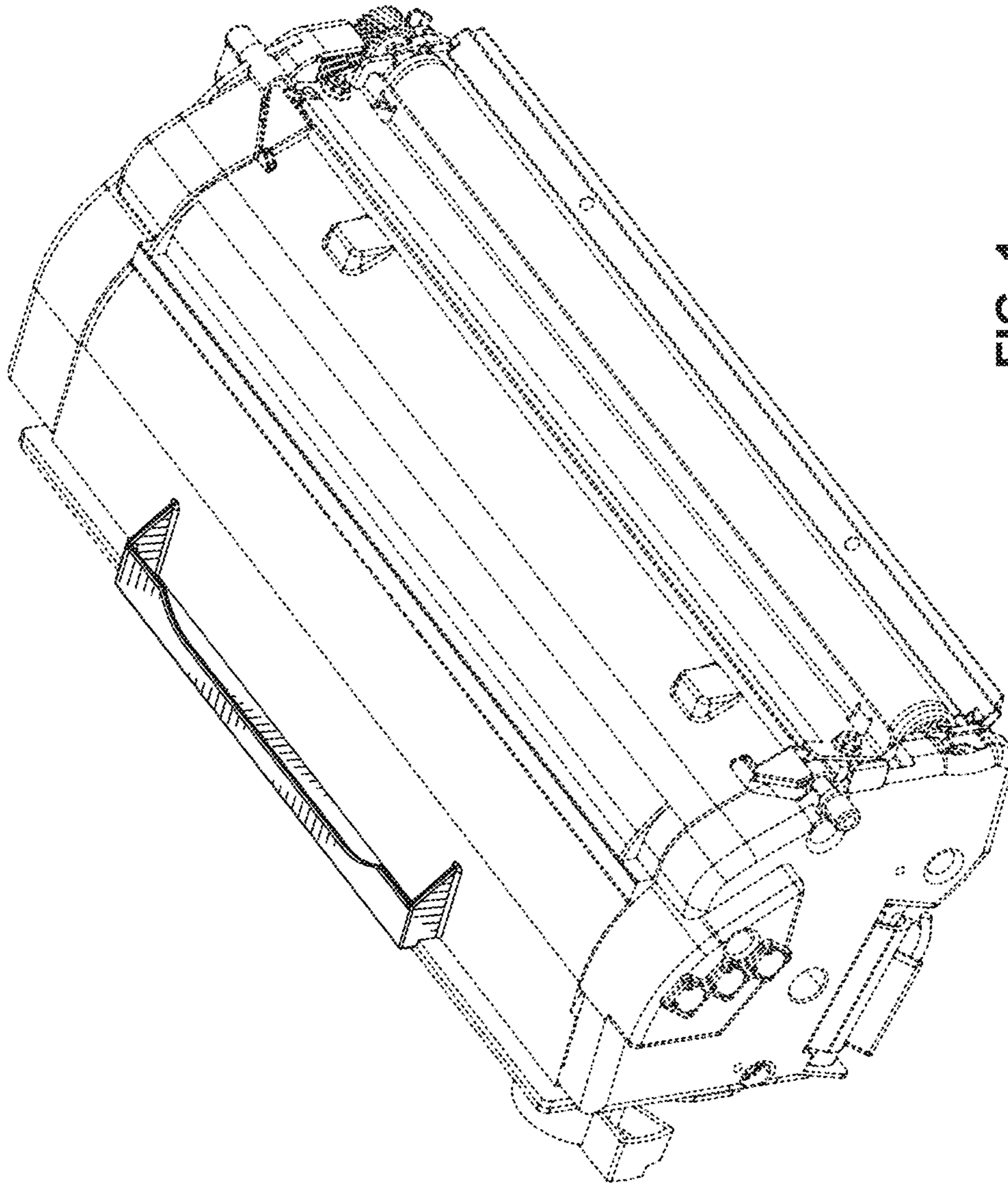


FIG. 1

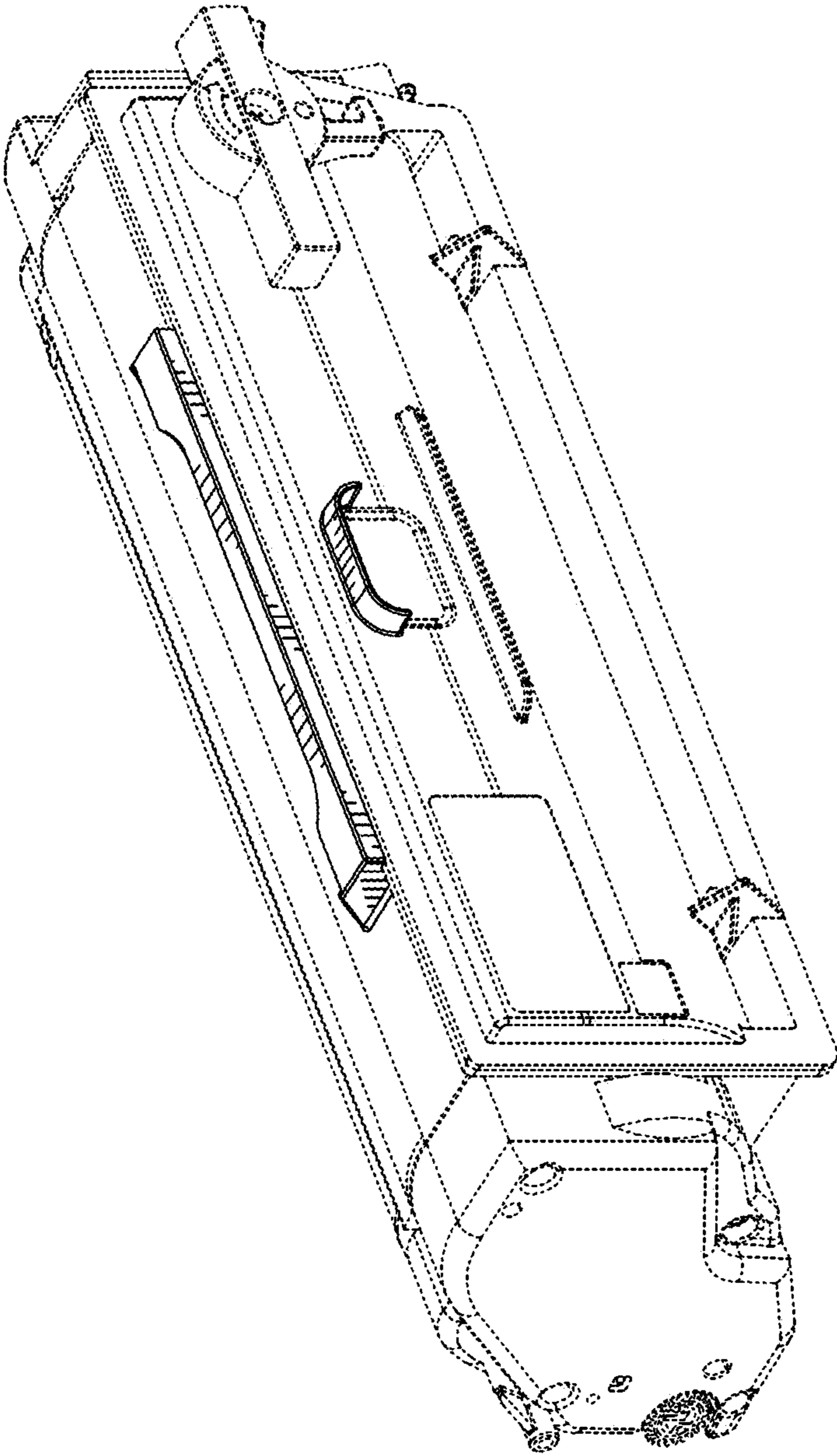


FIG. 2

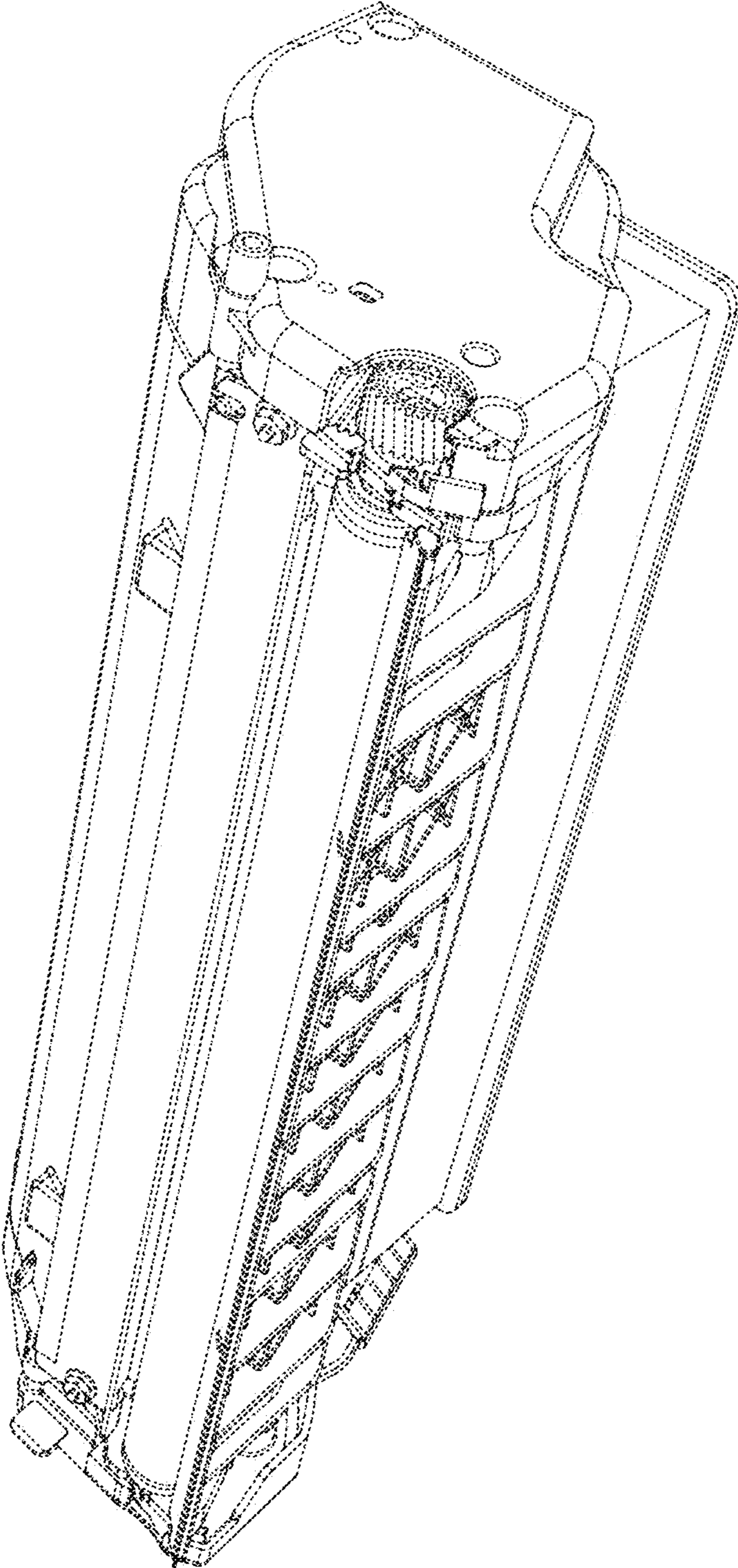


FIG. 3

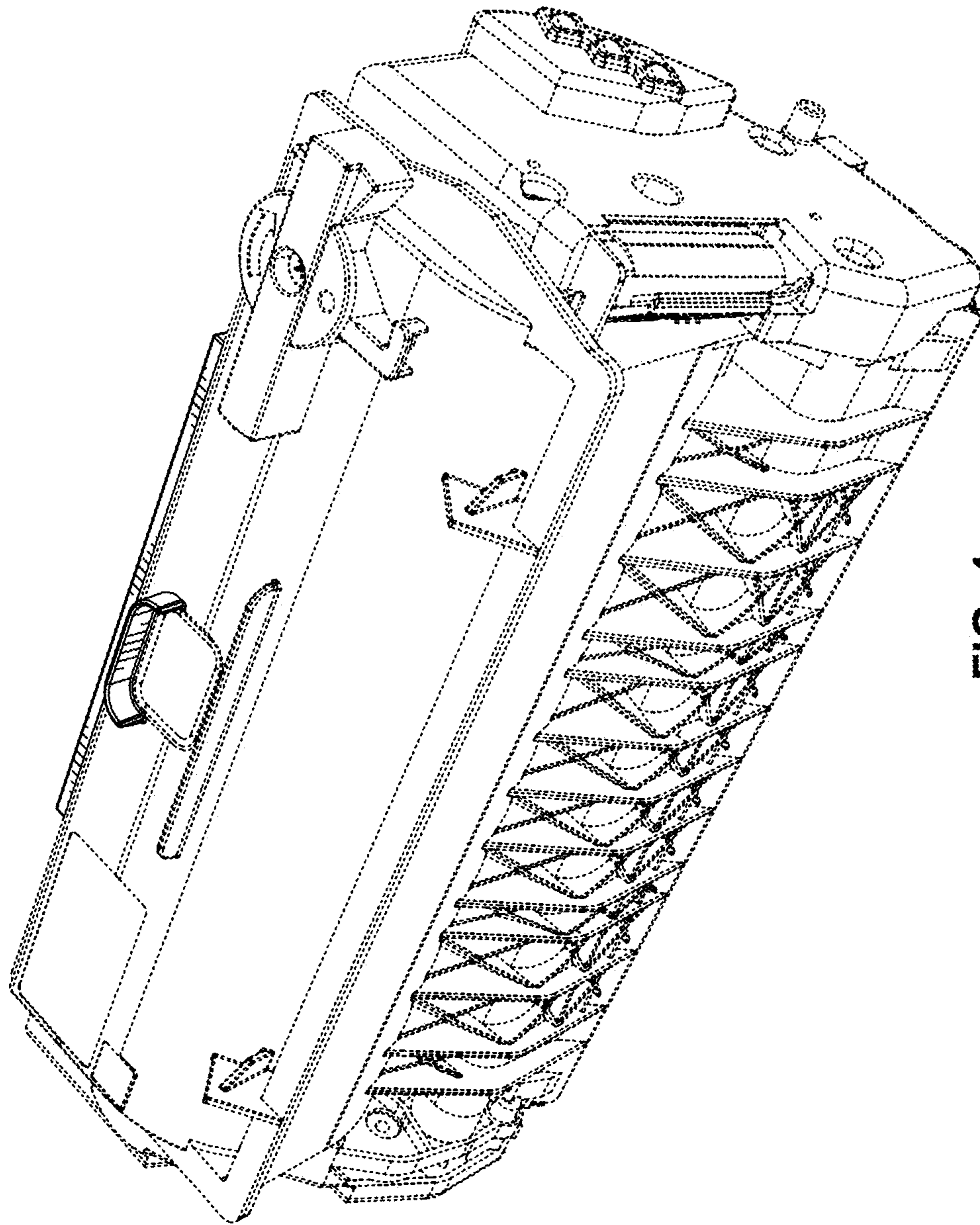


FIG. 4

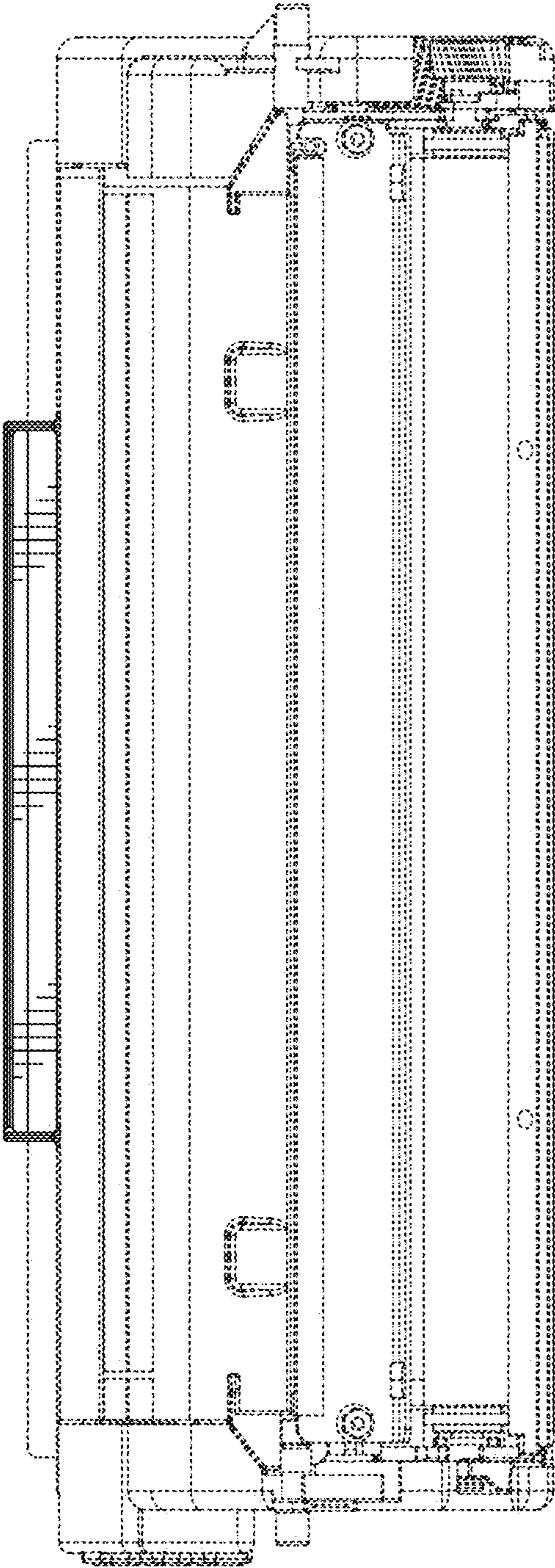


FIG. 5

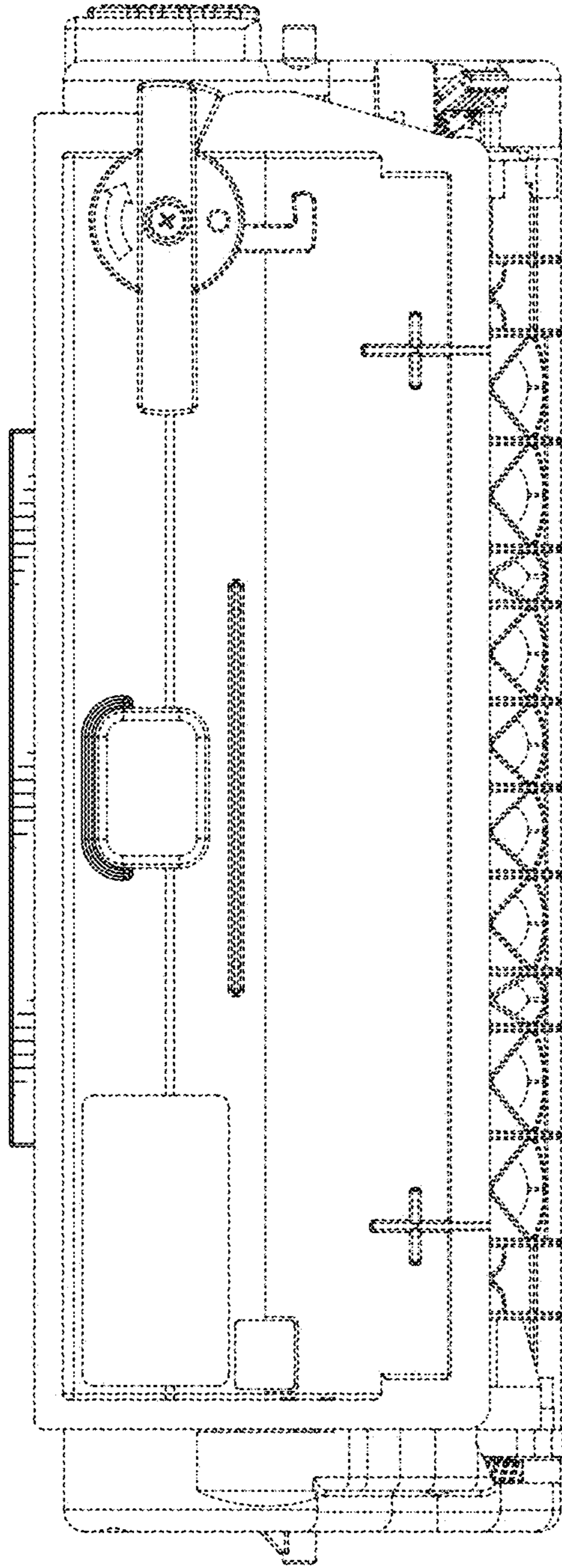


FIG. 6

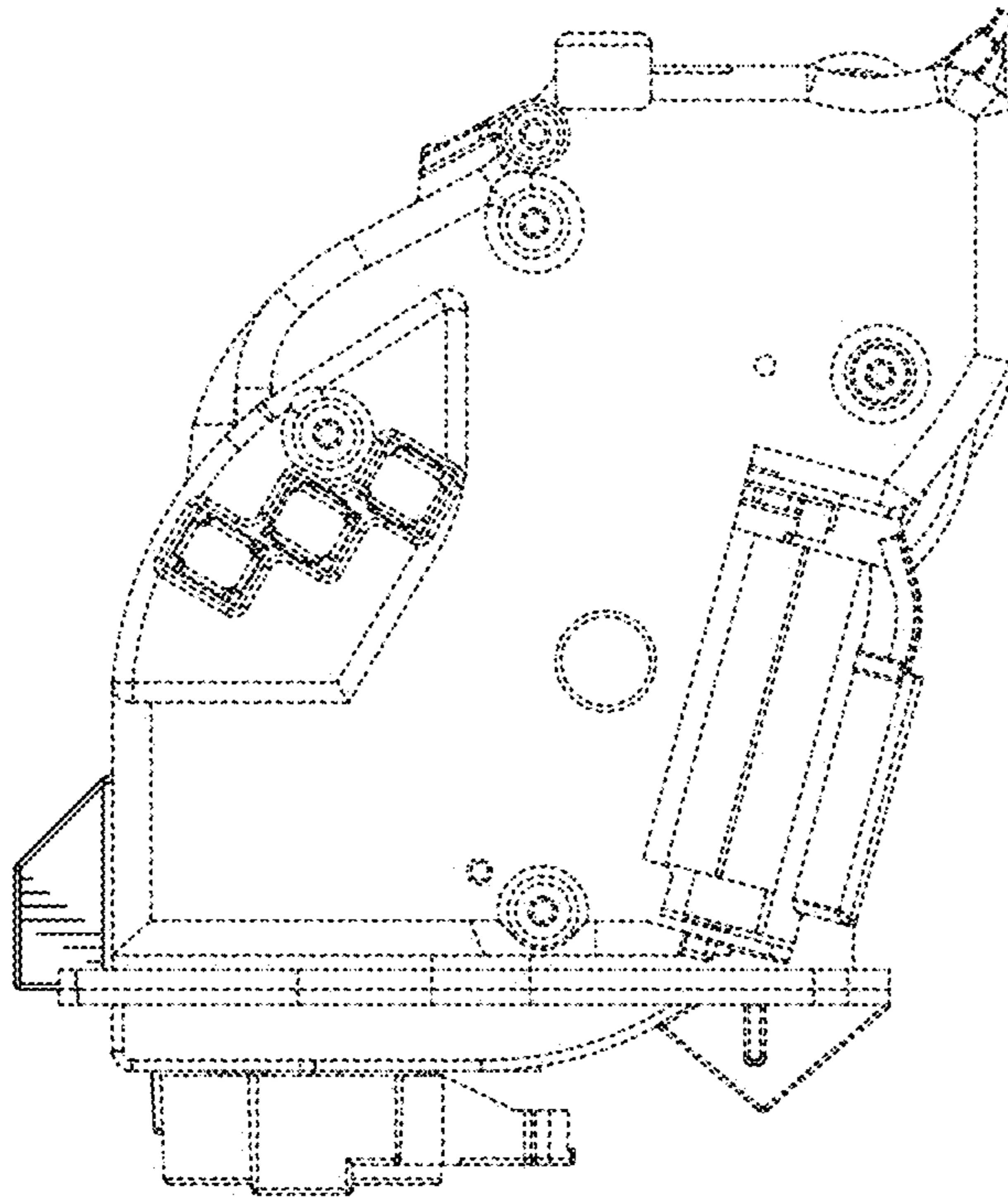


FIG. 7

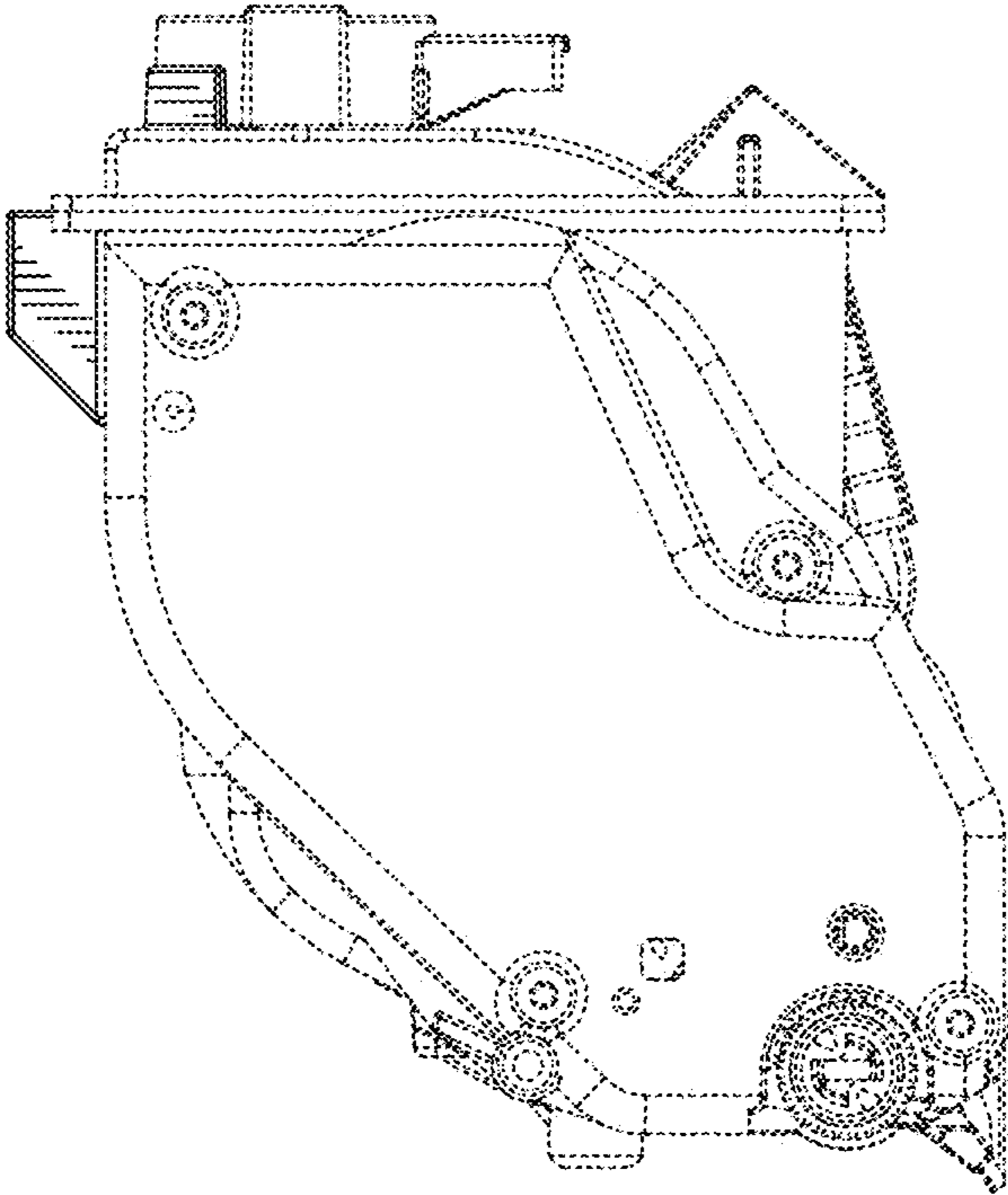


FIG. 8

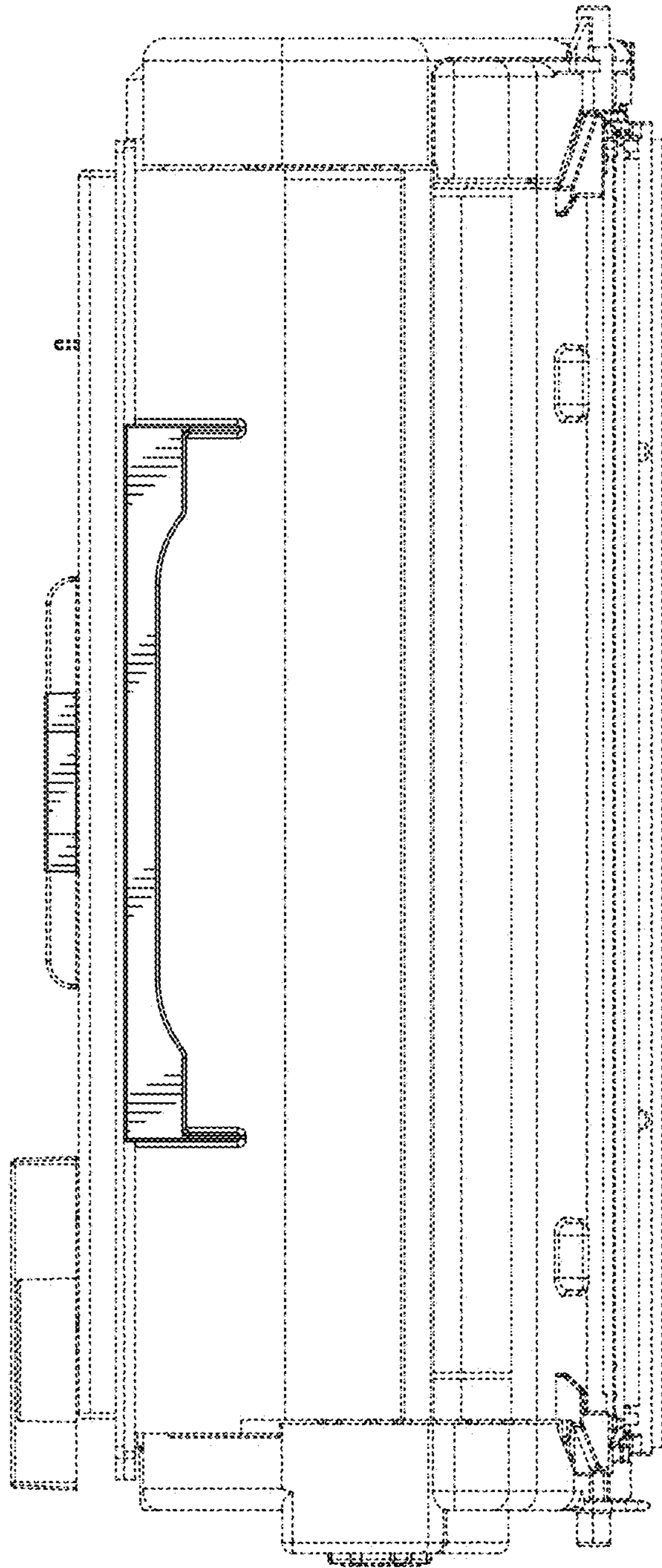


FIG. 9

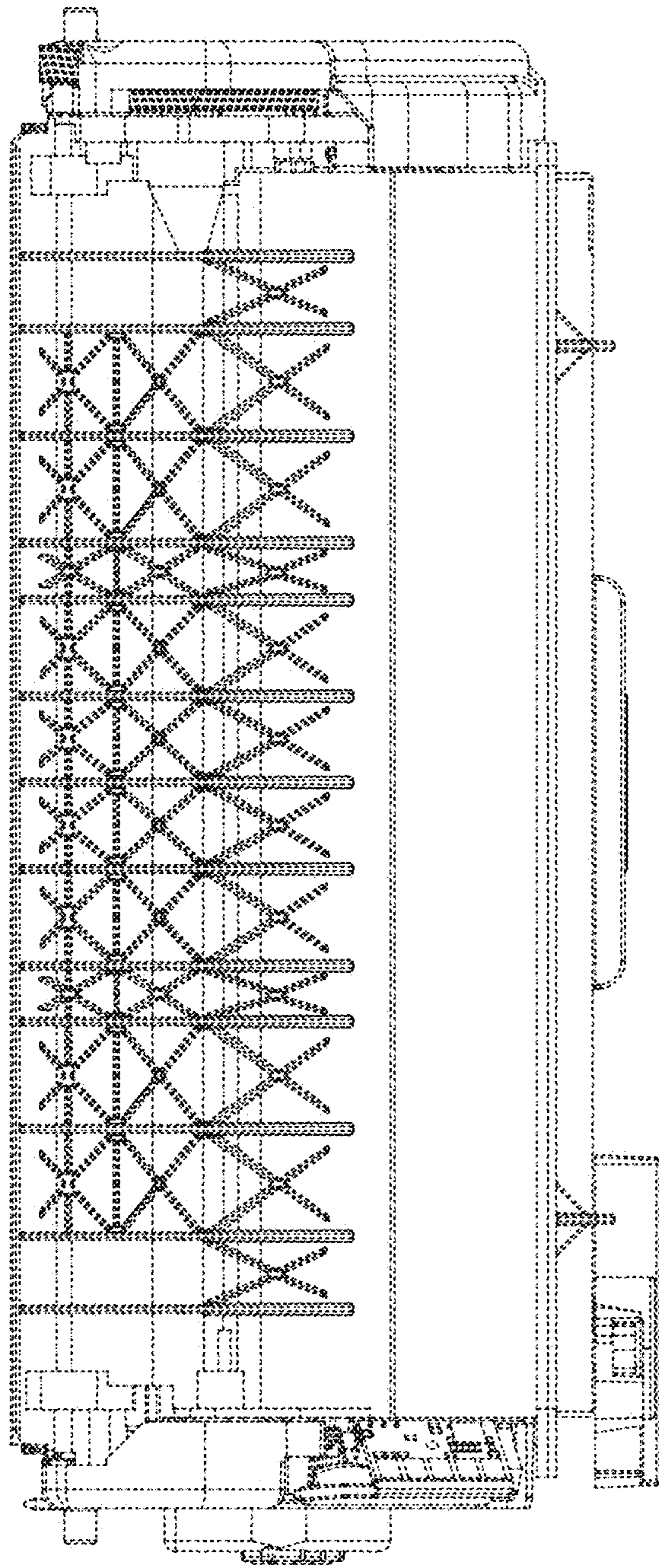


FIG. 10