



US00D947934S

(12) **United States Design Patent**
Hayashi

(10) **Patent No.:** **US D947,934 S**
(45) **Date of Patent:** **** Apr. 5, 2022**

(54) **PRINTER**

D826,321 S * 8/2018 Kim D18/53
D895,722 S * 9/2020 Inada D18/41
D907,701 S * 1/2021 Hayashi D18/50

(71) Applicant: **CANON KABUSHIKI KAISHA,**
Tokyo (JP)

(72) Inventor: **Hideki Hayashi,** Tokyo (JP)

(73) Assignee: **Canon Kabushiki Kaisha,** Tokyo (JP)

(**) Term: **15 Years**

(21) Appl. No.: **29/708,764**

(22) Filed: **Oct. 9, 2019**

(30) **Foreign Application Priority Data**

Apr. 10, 2019 (JP) 2019-007878
Apr. 10, 2019 (JP) 2019-007879

(51) **LOC (13) Cl.** **14-02**

(52) **U.S. Cl.**
USPC **D18/53**

(58) **Field of Classification Search**
USPC D18/4.1, 4.4, 4.6, 37, 38, 39, 50, 53, 54,
D18/55, 59; D14/300, 301, 302, 307
CPC ... H04N 2201/0094; H04N 2201/0081; H04N
1/00278
See application file for complete search history.

(56) **References Cited**

U.S. PATENT DOCUMENTS

D474,501 S 5/2003 Hayashi
D664,591 S * 7/2012 Ohta D18/41
D665,012 S * 8/2012 Saito D18/39
D685,414 S * 7/2013 Jeong D18/53
D692,477 S * 10/2013 Kim D18/53
D695,339 S * 12/2013 Fukasawa D18/55
D701,563 S * 3/2014 Kim D18/53
D769,968 S * 10/2016 So D18/56
D789,445 S * 6/2017 Kanaoka D18/39
D803,308 S * 11/2017 Takahashi D18/36
D803,310 S * 11/2017 Takahashi D18/39
D812,134 S * 3/2018 Tashima D18/50

OTHER PUBLICATIONS

Cannon Printer—p. 1—Date Aug. 12, 2016—442 TinEye search results—www.tineye.com-29708764—https://tineye.com/search/d85ffdf3ed7d456d6b6ca162e5658ee4485d8af9?sort=crawl_date&order=asc&page=1 (Year: 2016).*

* cited by examiner

Primary Examiner — Jennifer L Rempfer
Assistant Examiner — Danielle Nichole Bowly
(74) *Attorney, Agent, or Firm* — Venable LLP

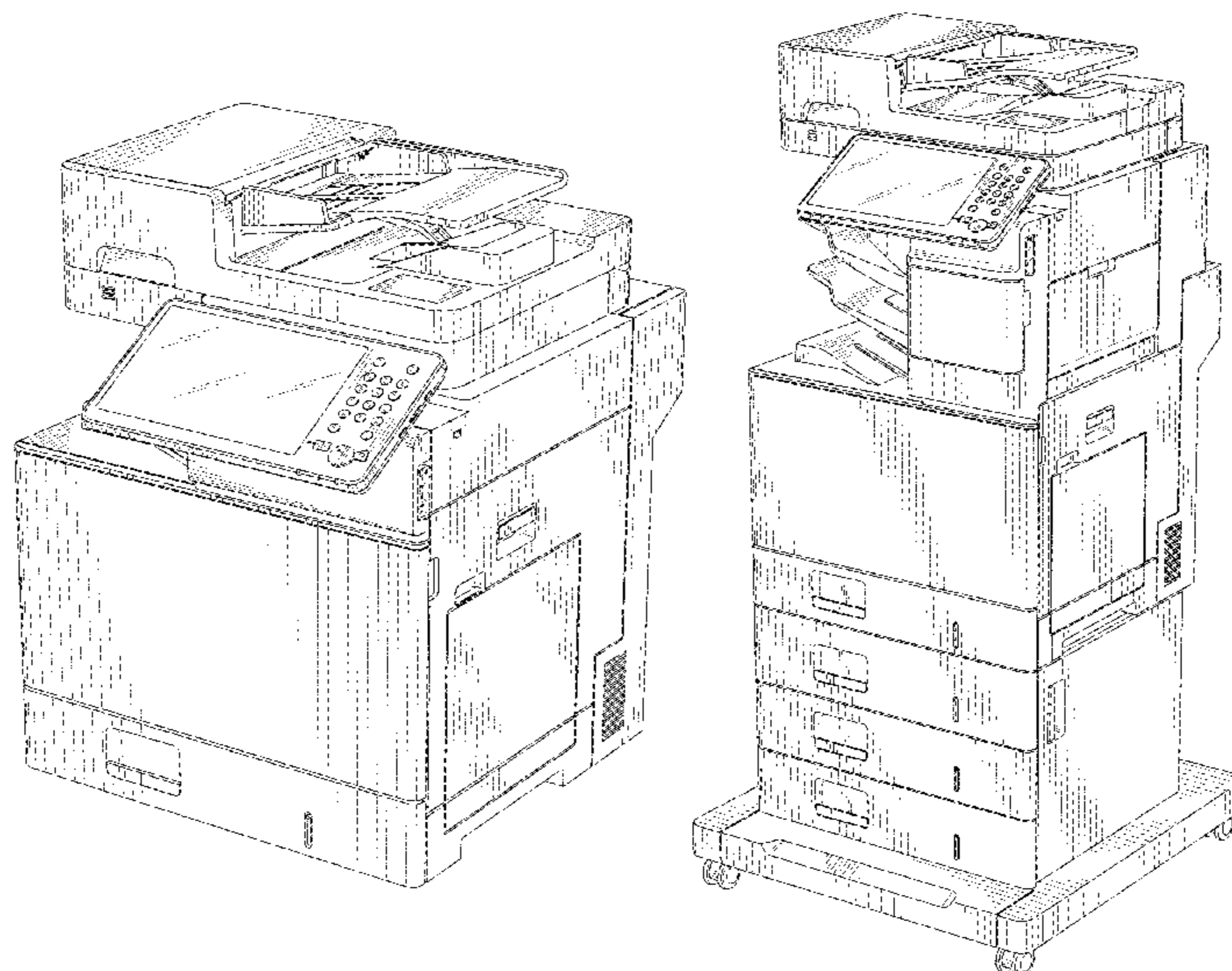
(57) **CLAIM**

The ornamental design for a printer, as shown and described.

DESCRIPTION

FIG. 1 is a front view of a first embodiment of a printer showing my new design;
FIG. 2 is a rear view thereof;
FIG. 3 is a top plan view thereof;
FIG. 4 is a bottom plan view thereof;
FIG. 5 is a left side view thereof;
FIG. 6 is a right side view thereof;
FIG. 7 is a perspective view thereof;
FIG. 8 is a front view of a second embodiment of a printer showing my new design;
FIG. 9 is a rear view thereof;
FIG. 10 is a top plan view thereof;
FIG. 11 is a bottom plan view thereof;
FIG. 12 is a left side view thereof;
FIG. 13 is a right side view thereof; and,
FIG. 14 is a perspective view thereof.
The broken lines in the drawings illustrate portions of the printer which form no part of the claimed design.

1 Claim, 14 Drawing Sheets



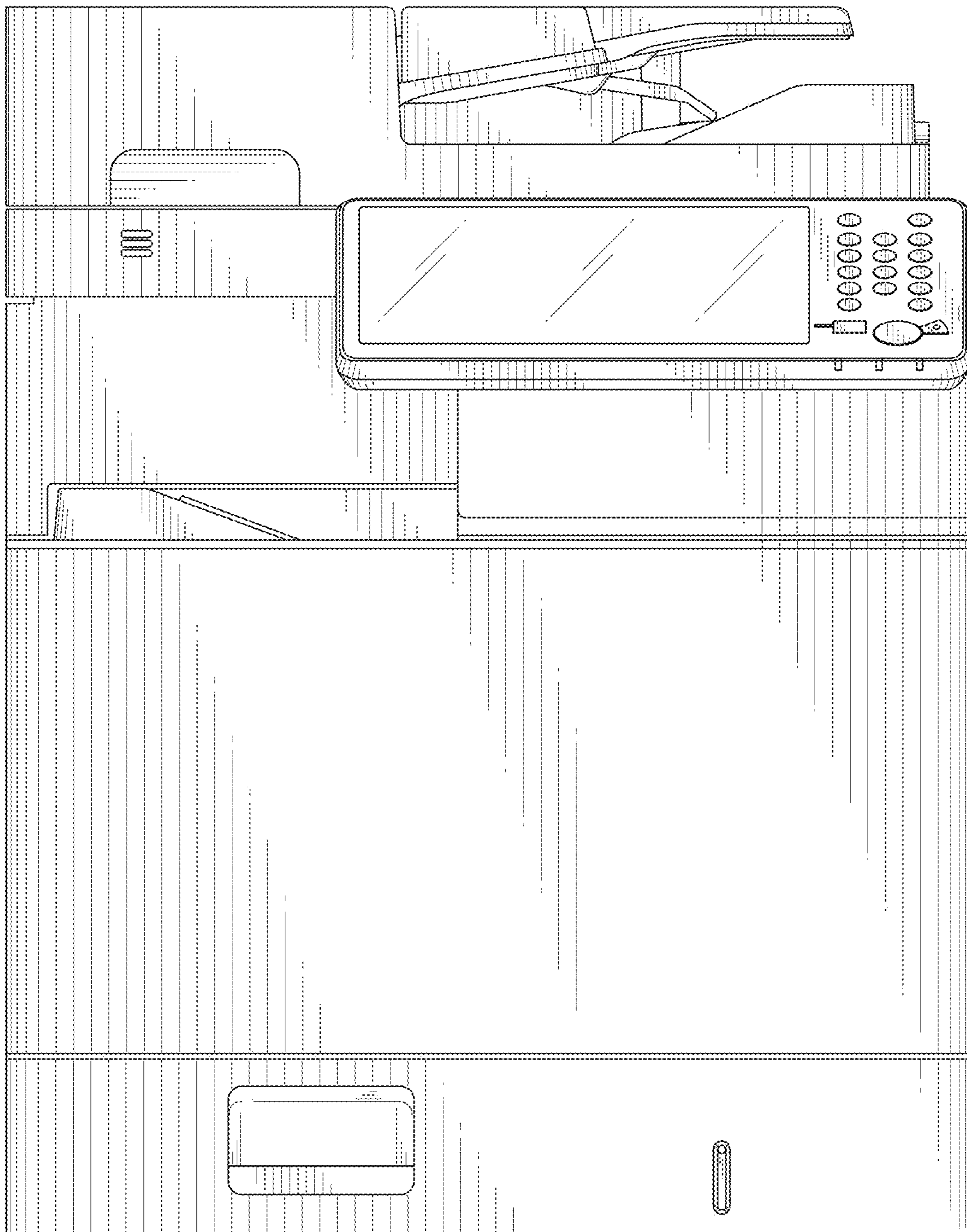


FIG. 1

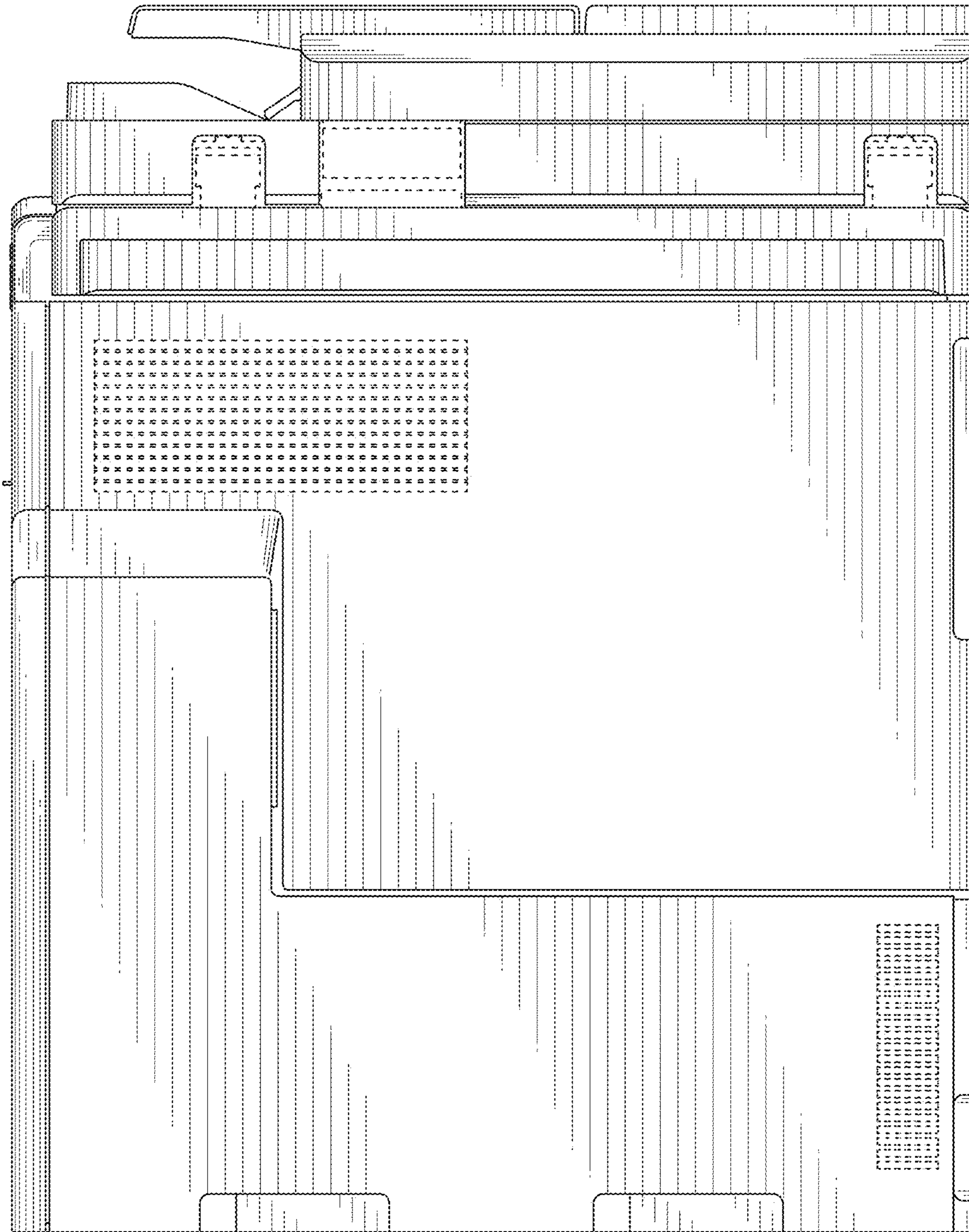


FIG. 2

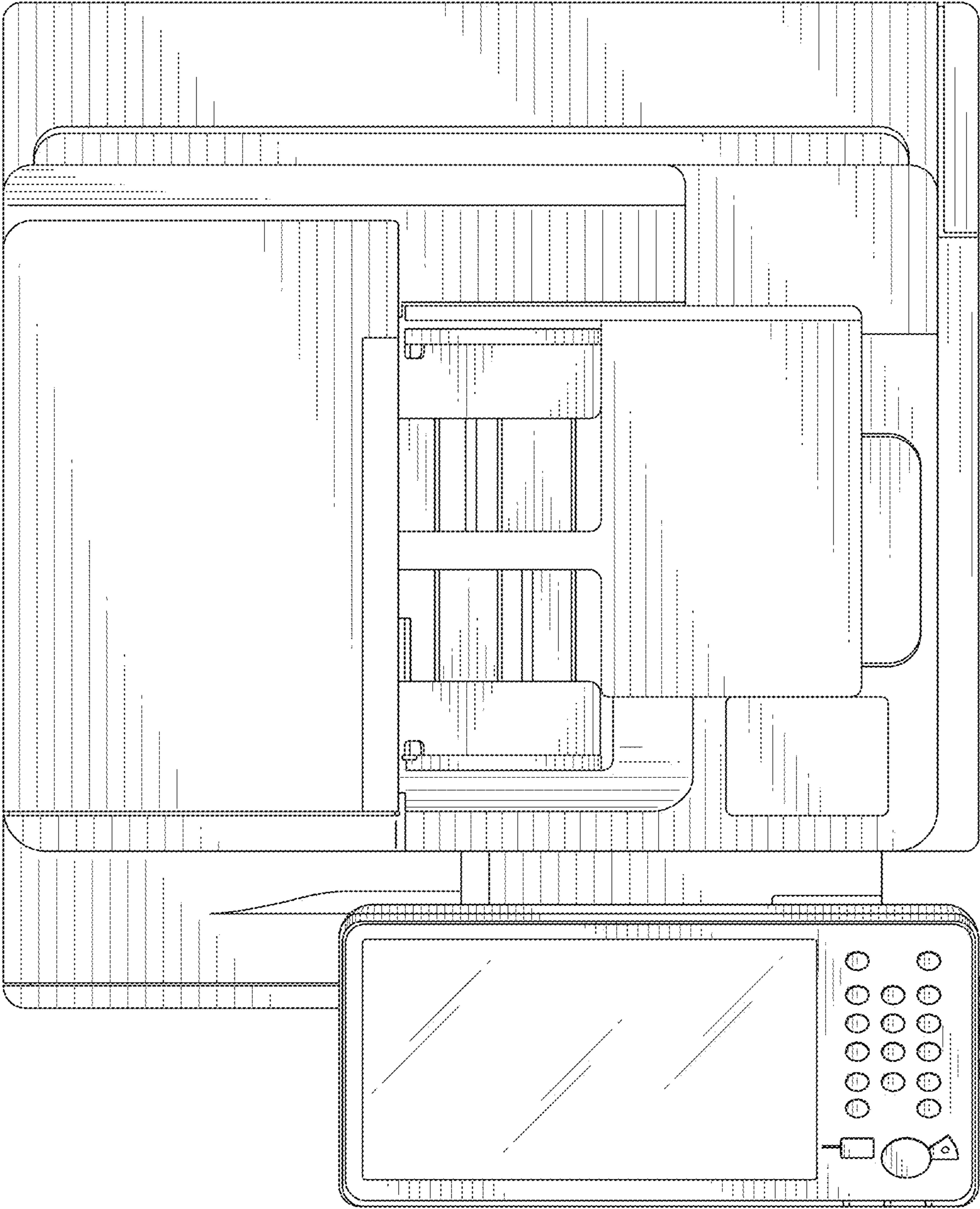


FIG. 3

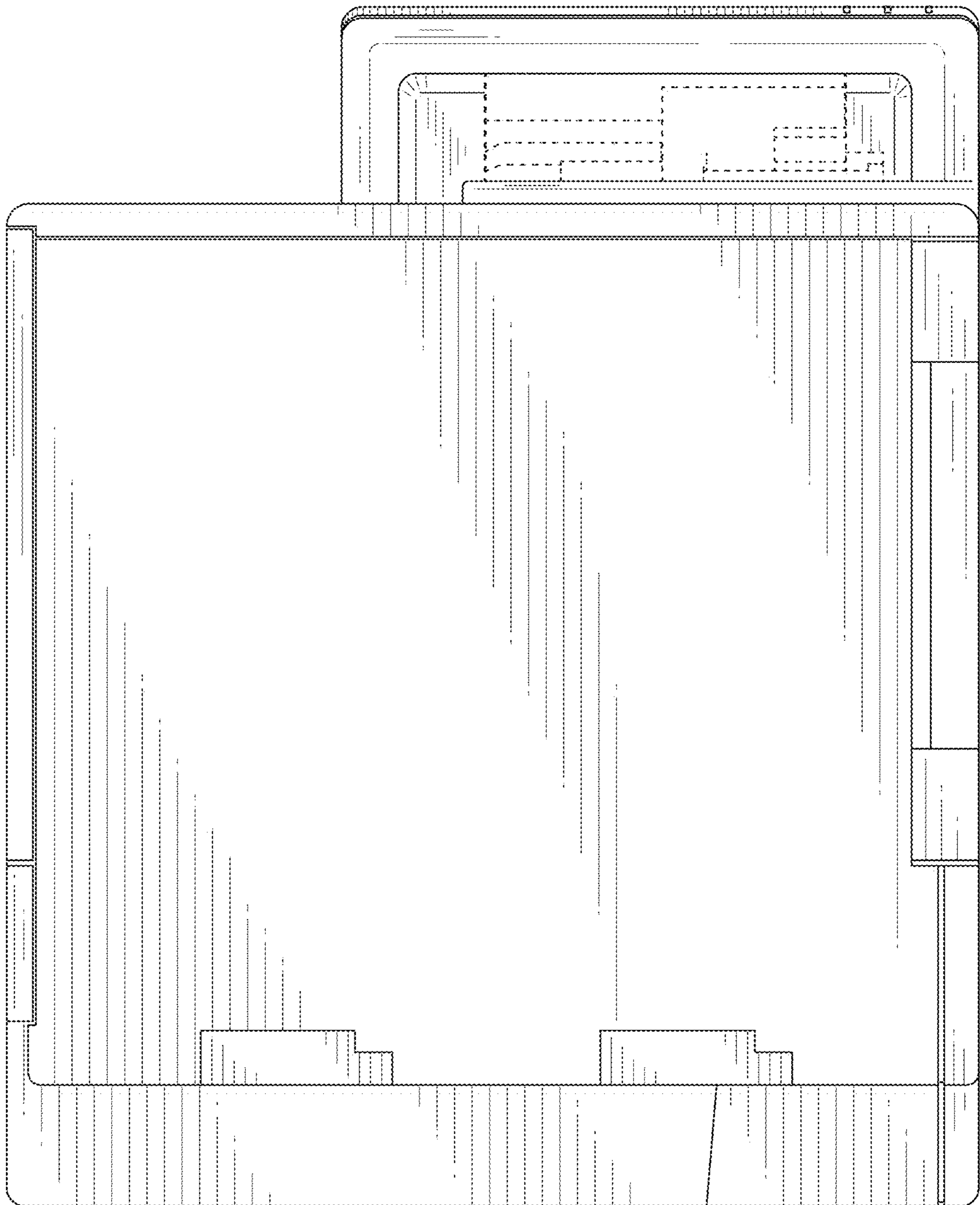


FIG. 4

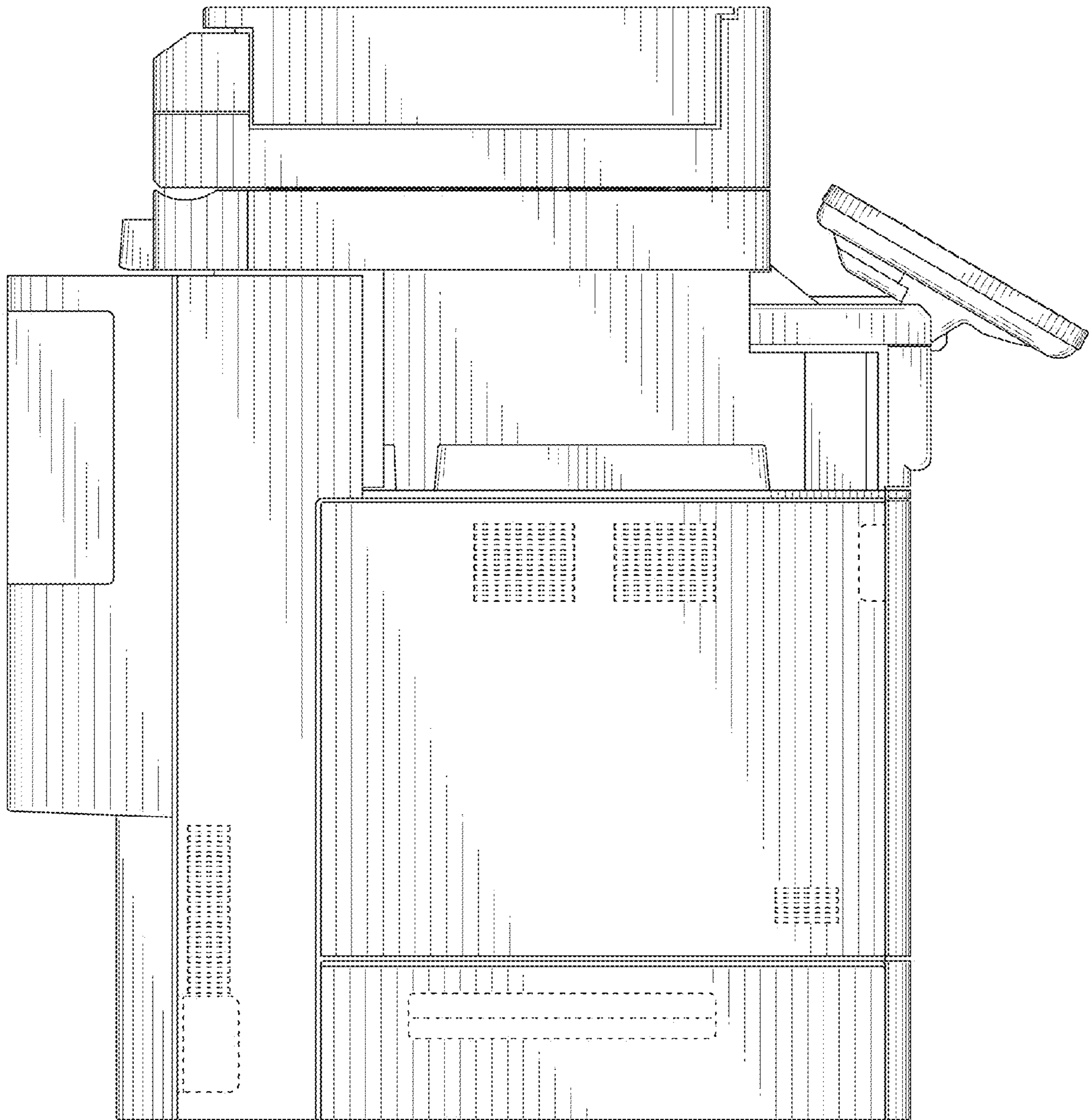


FIG. 5

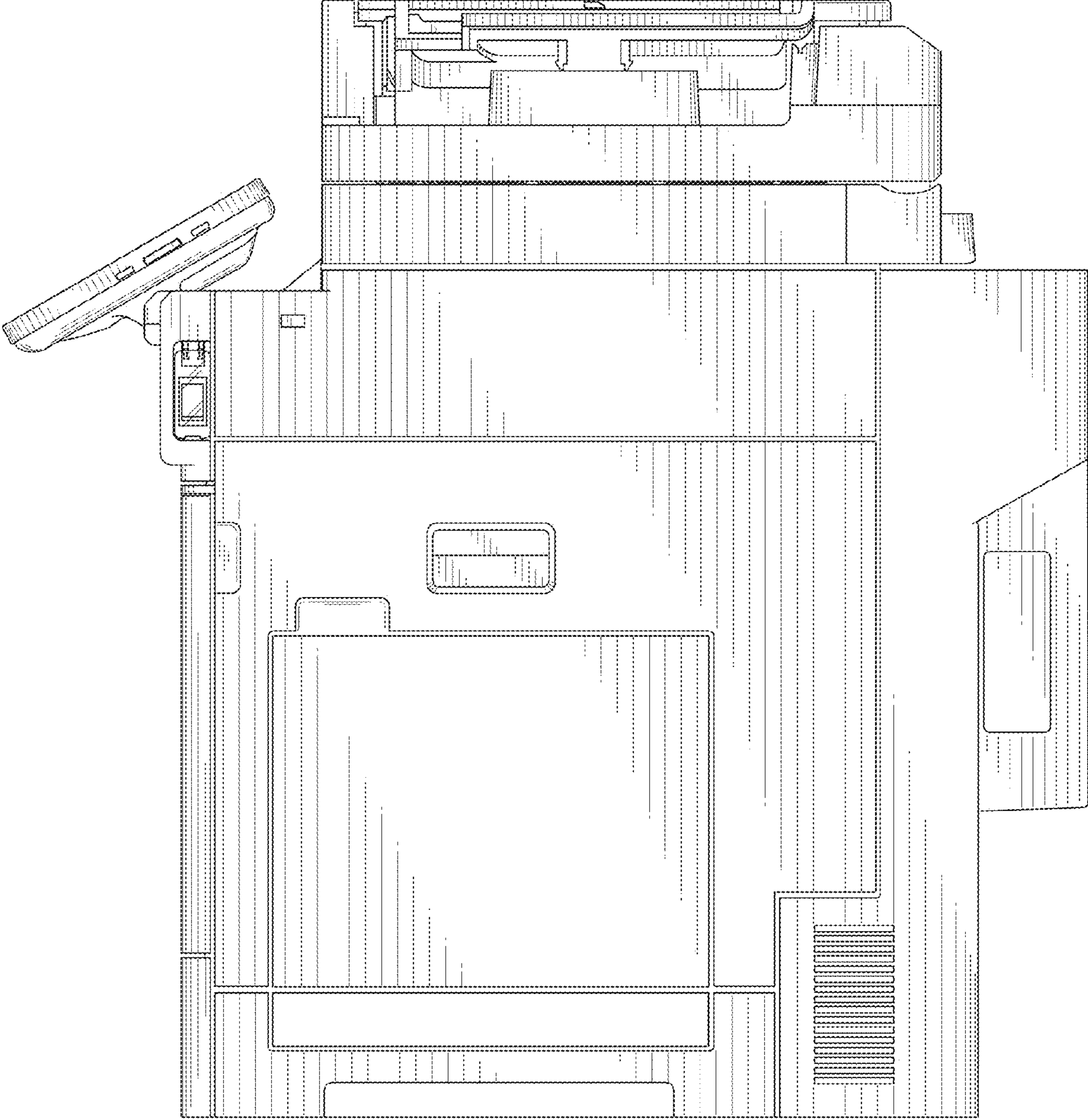


FIG. 6

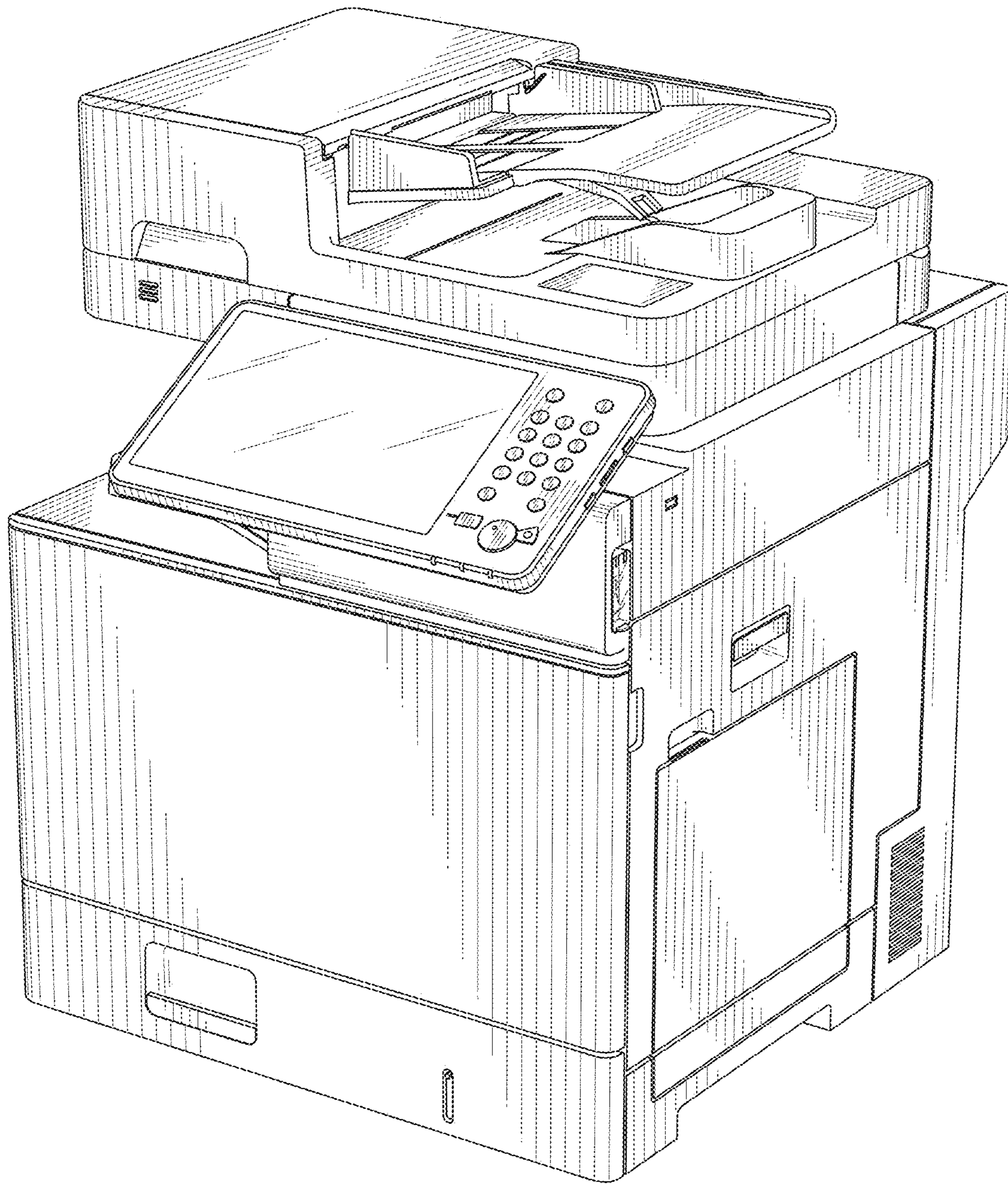


FIG. 7

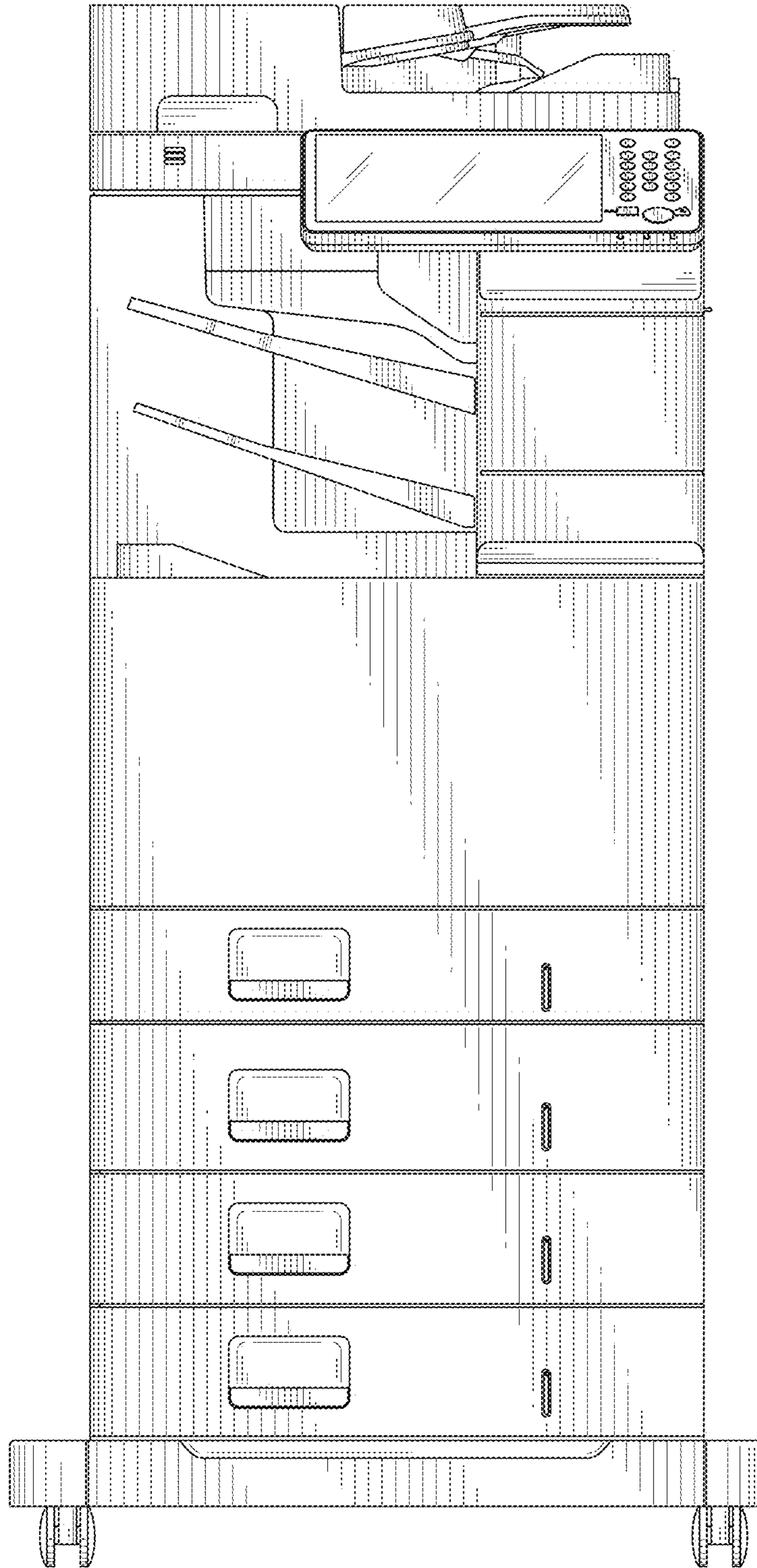


FIG. 8

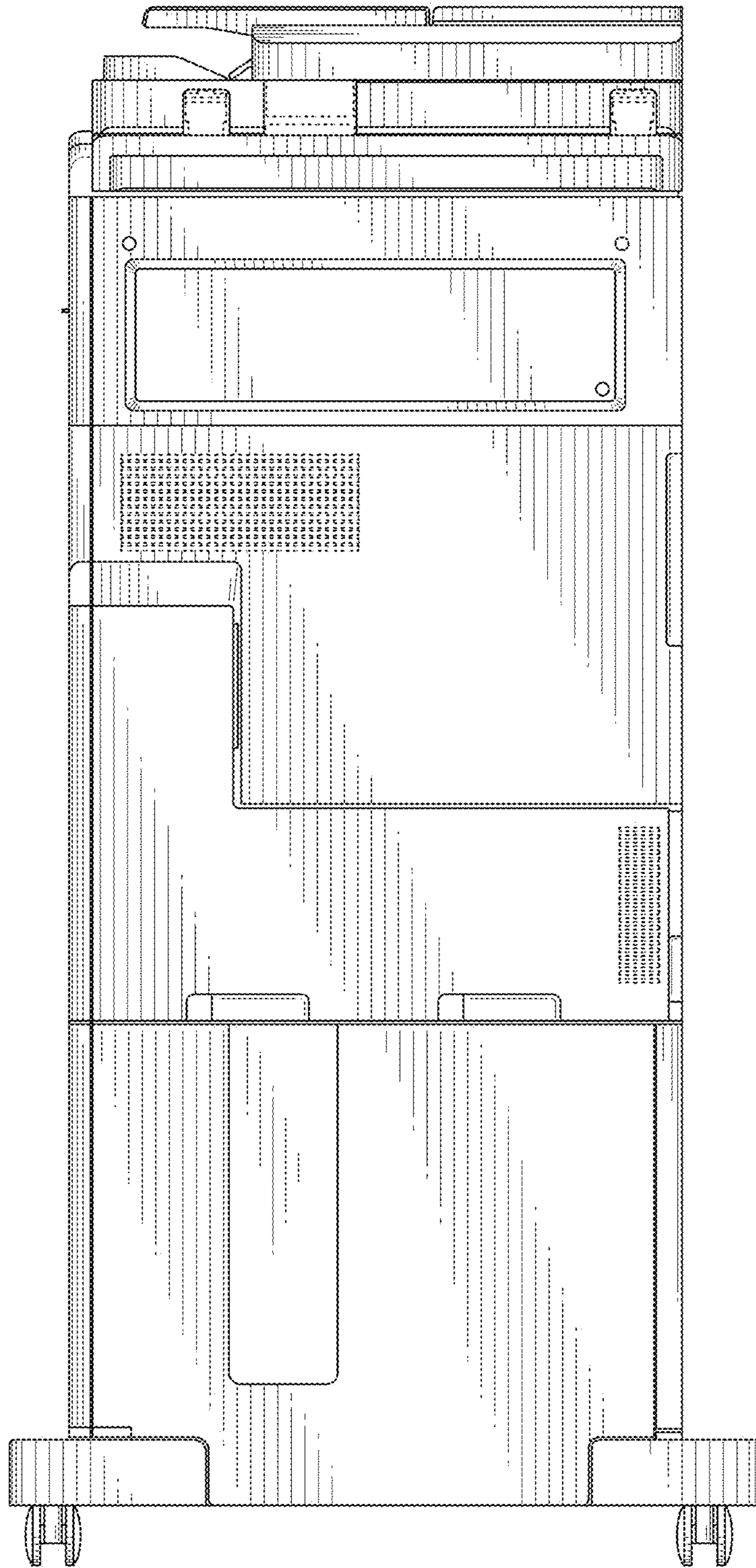


FIG. 9

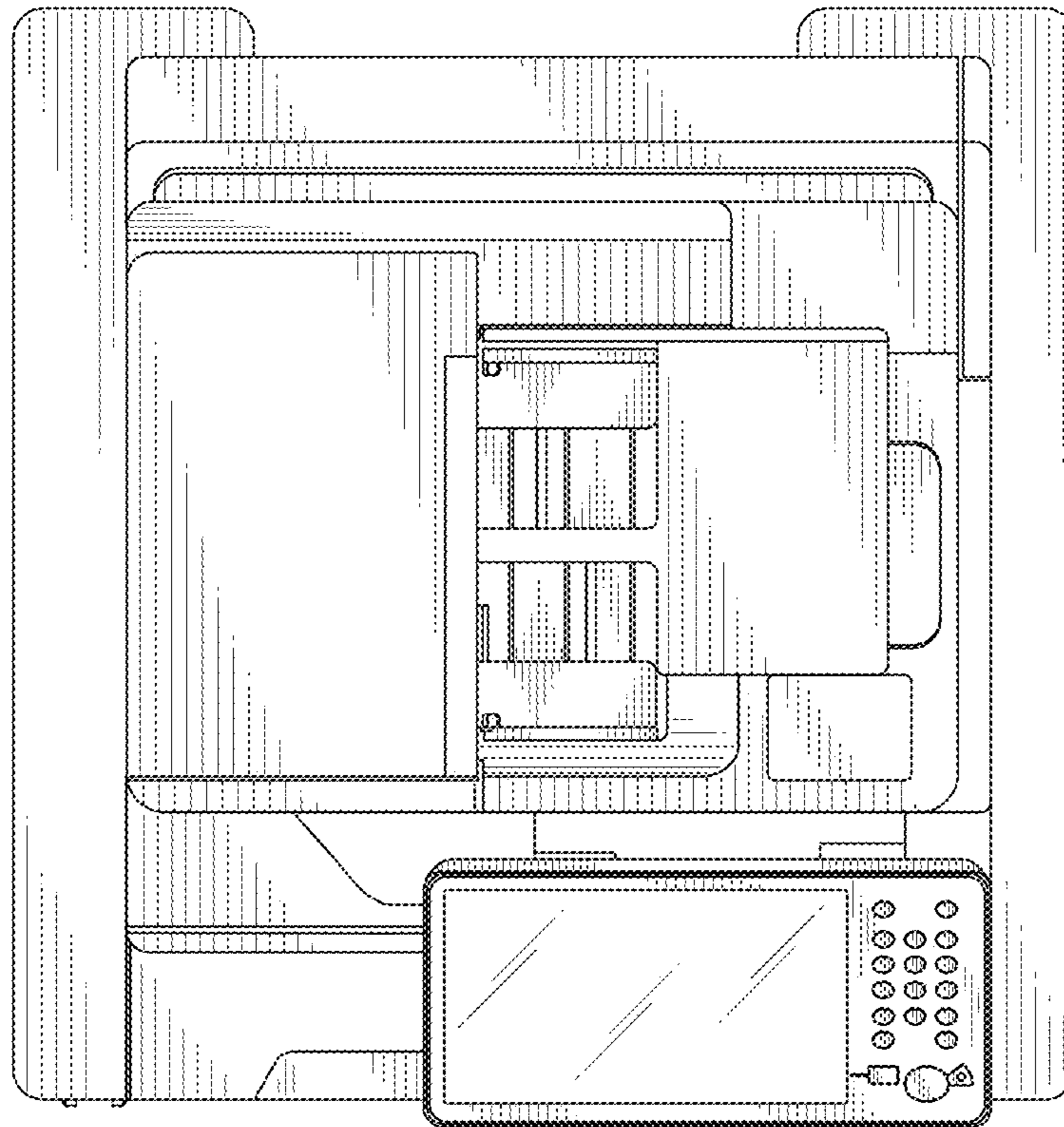


FIG. 10

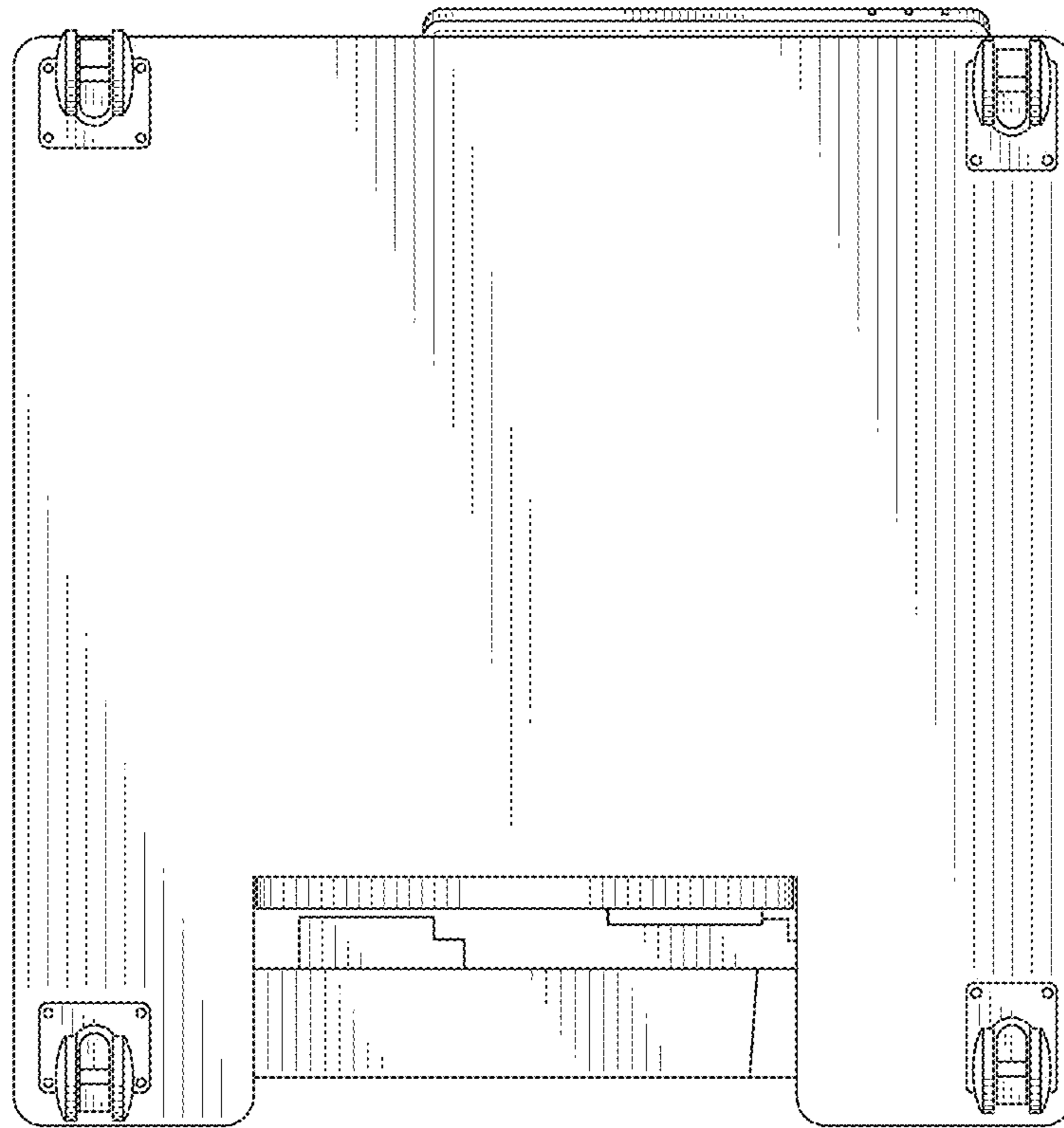


FIG. 11

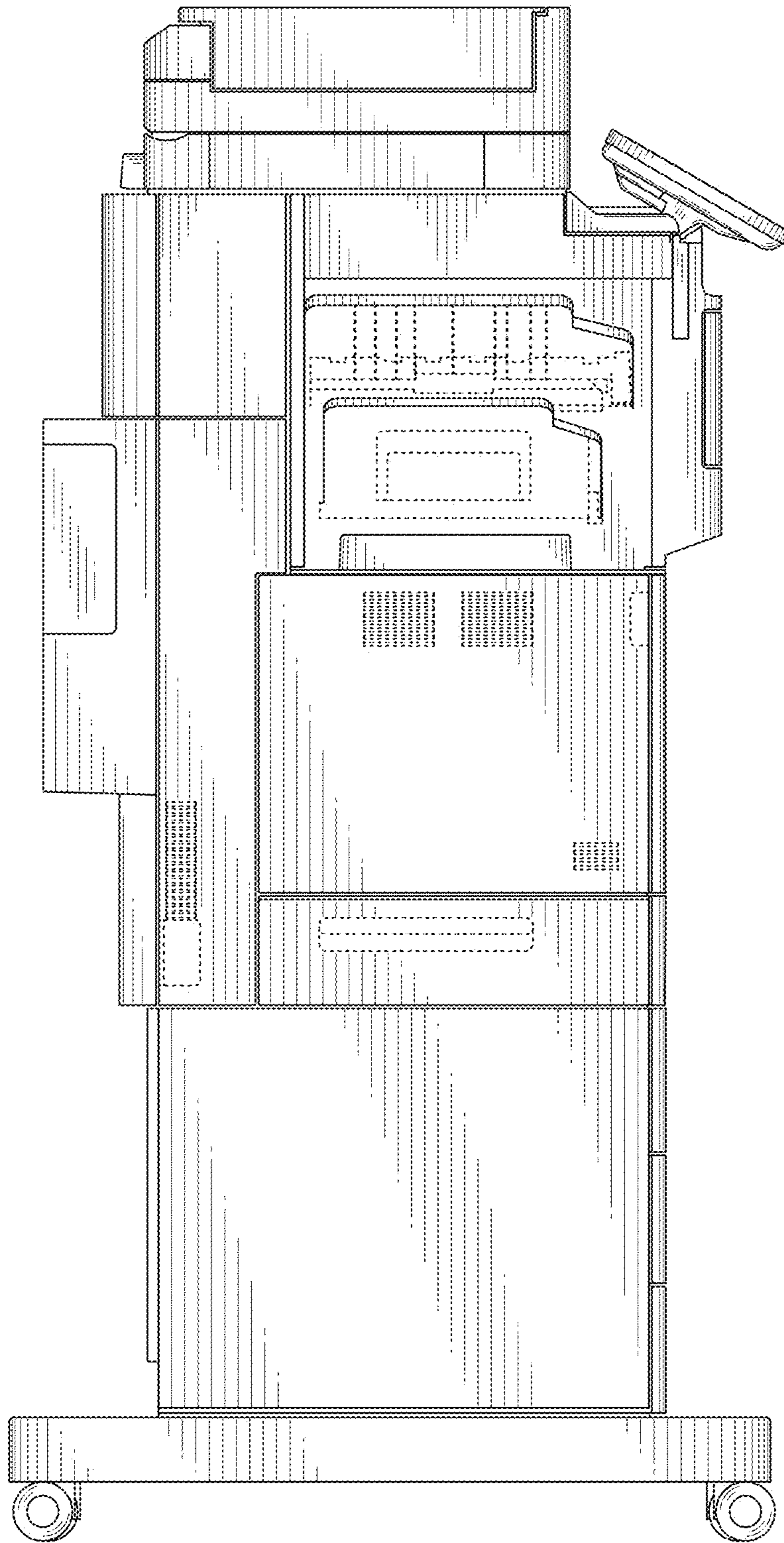


FIG. 12

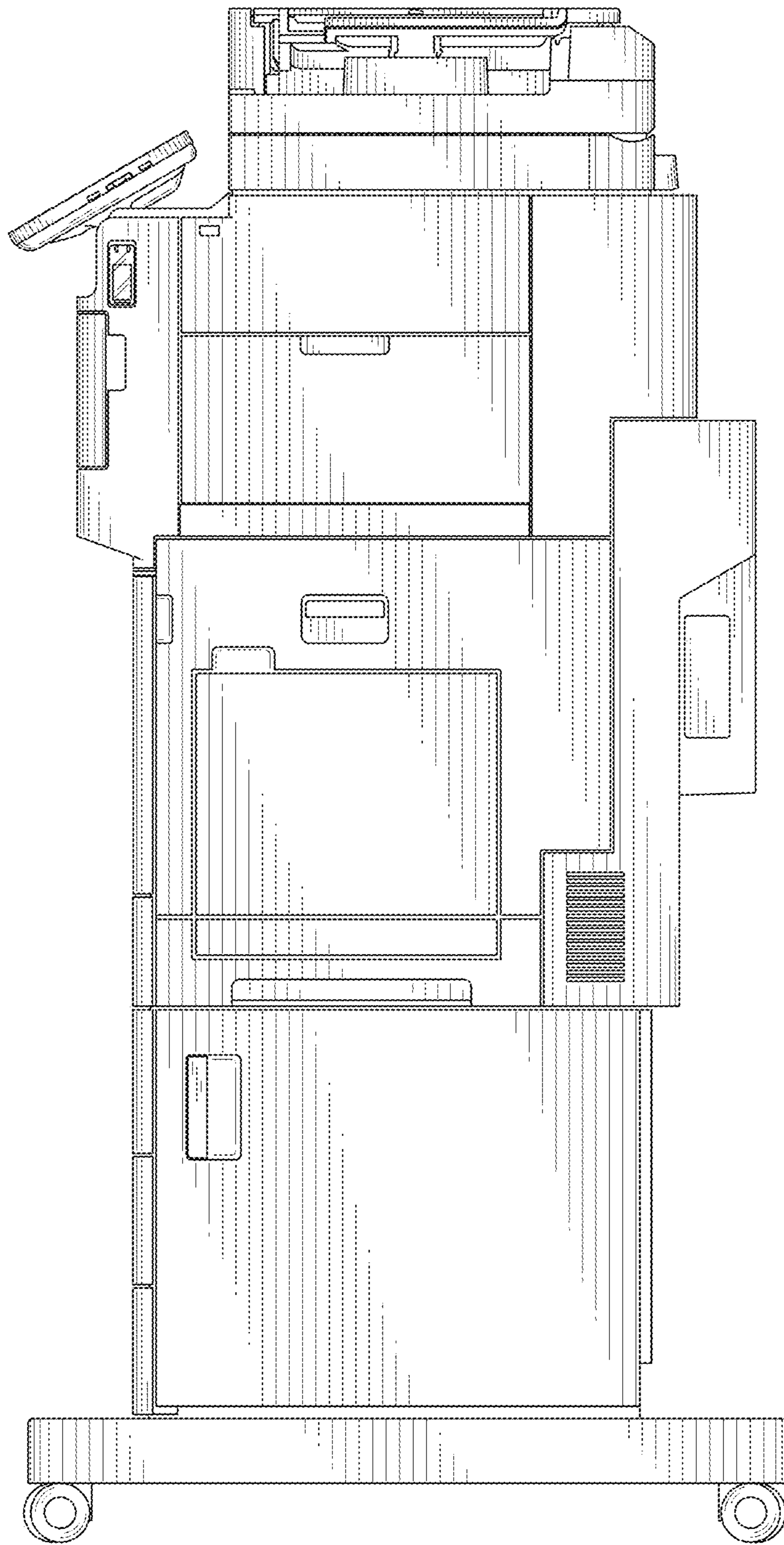


FIG. 13

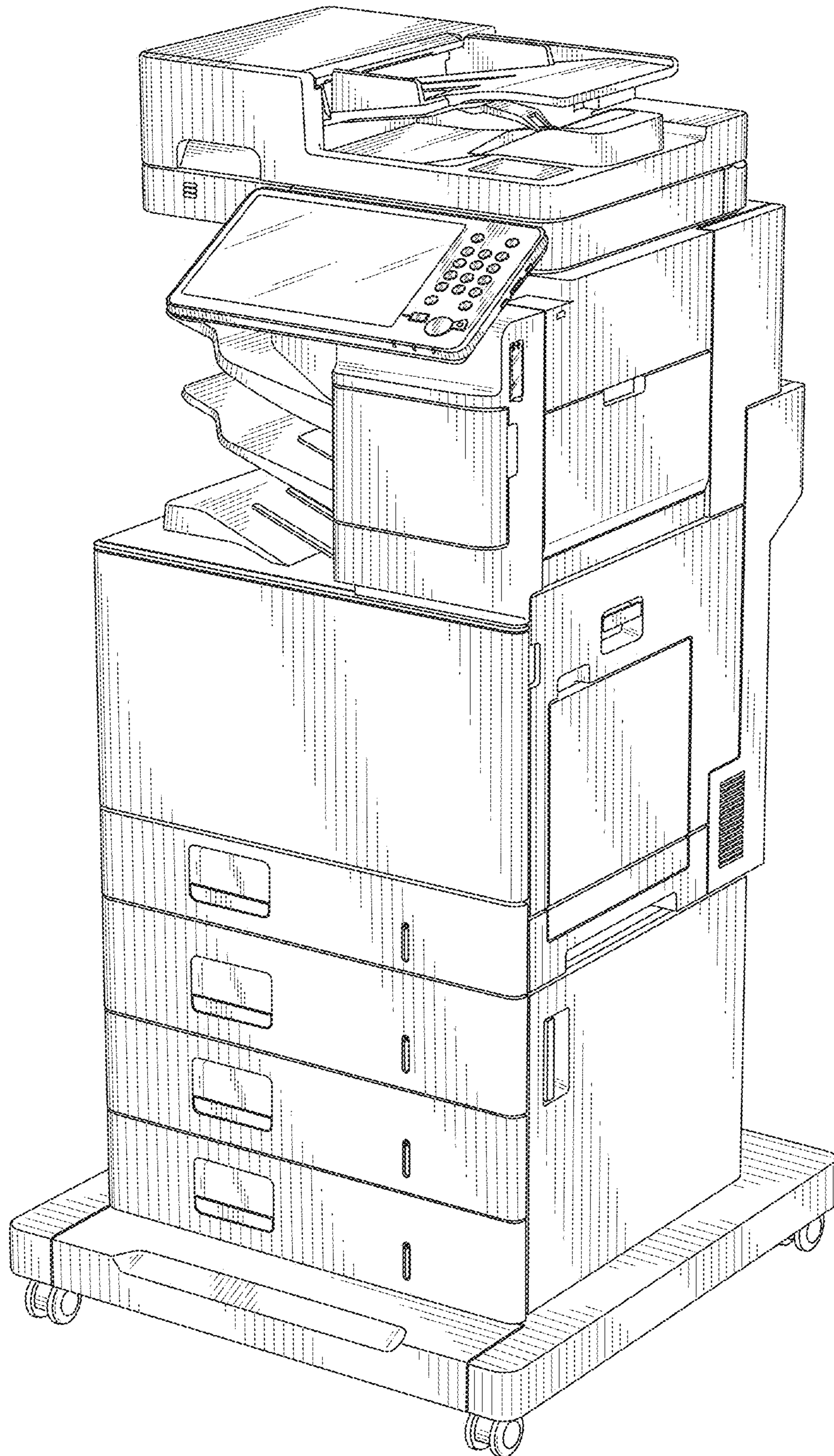


FIG. 14