



US00D947933S

(12) **United States Design Patent** (10) **Patent No.:** **US D947,933 S**  
**Yamamoto** (45) **Date of Patent:** **\*\* Apr. 5, 2022**

(54) **PRINTER**  
(71) Applicant: **Canon Kabushiki Kaisha**, Tokyo (JP)  
(72) Inventor: **Takahiro Yamamoto**, Tokyo (JP)  
(73) Assignee: **Canon Kabushiki Kaisha**, Tokyo (JP)  
(\*\*) Term: **15 Years**

D771,184 S \* 11/2016 Yamashita ..... D18/56  
D786,342 S \* 5/2017 Oguchi ..... D18/50  
D813,299 S 3/2018 Yamamoto et al.  
D822,759 S 7/2018 Yamamoto et al.  
D823,936 S \* 7/2018 Nanno ..... D18/34.3  
D826,317 S \* 8/2018 Villalobos ..... D18/50  
D832,337 S \* 10/2018 Nanno ..... D18/34.3

(Continued)

(21) Appl. No.: **29/746,846**  
(22) Filed: **Aug. 18, 2020**

**FOREIGN PATENT DOCUMENTS**

CN 306531847 \* 12/2020  
JP D1632368 \* 4/2019

(30) **Foreign Application Priority Data**

Feb. 18, 2020 (JP) ..... 2020-003051 D

(51) **LOC (13) Cl.** ..... **14-02**

(52) **U.S. Cl.**  
USPC ..... **D18/50**

(58) **Field of Classification Search**  
USPC ... D18/4.1, 4.4, 4.6, 34.1, 6, 7, 14, 19, 34.3,  
D18/34.7, 34.8, 34.9, 36, 37, 38, 39, 46,  
D18/47, 48, 49, 50, 53, 54, 55, 56, 59;  
D14/300, 301, 302, 303, 307, 308, 314,  
D14/321, 365, 445, 446; D15/122, 135,  
D15/138, 145, 146

CPC .... H04N 1/00278; B26D 1/045; B26D 1/065;  
B41J 15/044; B41J 2/1752; B41J 29/02;  
B41J 29/08; B41J 17/00; B41J 15/42;  
B41J 15/12; B41J 11/58; B41J 3/4075;  
B29C 47/12

See application file for complete search history.

(56) **References Cited**

**U.S. PATENT DOCUMENTS**

D579,938 S \* 11/2008 Romanoff ..... D14/422  
D686,212 S \* 7/2013 Yamano ..... D14/422  
D686,649 S \* 7/2013 Zhou ..... D15/146  
D699,726 S \* 2/2014 Seki ..... D14/422  
D699,781 S \* 2/2014 Hasui ..... D18/34.9

**OTHER PUBLICATIONS**

Canon Pixma TR150 Wireless Mobile Printer, p. 13, 2020, Amazon-29746846-https://www.amazon.com/Canon-TR150-Wireless-Airprint-Compatible/dp/B085VMW9YD?th=1 (Year: 2020).\*

(Continued)

*Primary Examiner* — Jennifer L Rempfer  
*Assistant Examiner* — Danielle Nichole Bowly  
(74) *Attorney, Agent, or Firm* — Venable LLP

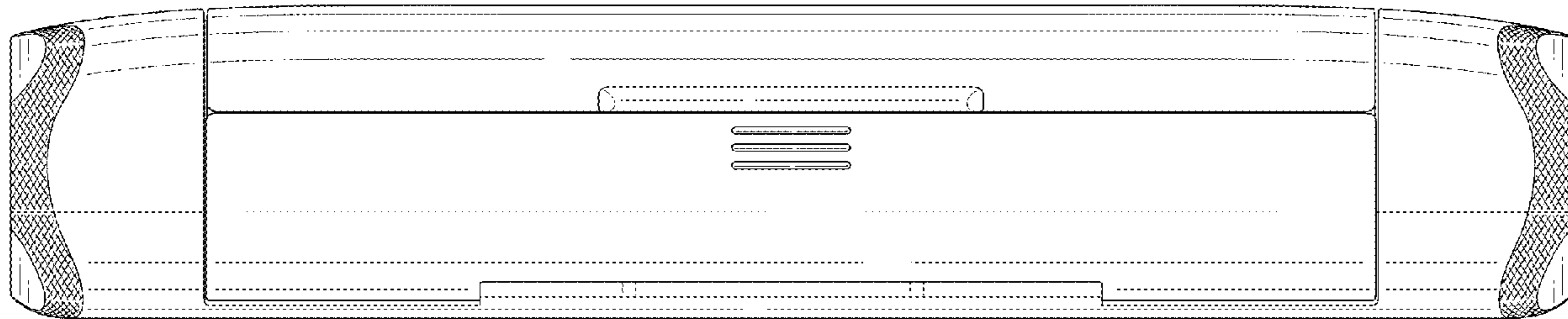
(57) **CLAIM**

The ornamental design for a printer, as shown and described.

**DESCRIPTION**

FIG. 1 is a front view of a printer showing my new design;  
FIG. 2 is a rear view thereof;  
FIG. 3 is a top plan view thereof;  
FIG. 4 is a bottom plan view thereof;  
FIG. 5 is a left side view thereof;  
FIG. 6 is a right side view thereof;  
FIG. 7 is a perspective view thereof;  
FIG. 8 is a perspective view showing the printer in an open state; and,  
FIG. 9 is a perspective view showing the printer from which a battery is removed.

**1 Claim, 7 Drawing Sheets**



(56)

**References Cited**

U.S. PATENT DOCUMENTS

D854,065 S \* 7/2019 Owens ..... D15/146  
D866,624 S \* 11/2019 Choi ..... D15/146  
10,913,281 B2 \* 2/2021 Chino ..... B41J 2/17509

OTHER PUBLICATIONS

Canon Pixma TR150 Wireless Color Printer p. 3, 2020 \_ Quill.  
com-29746846-https://bit.ly/3qcNnVL (Year: 2020).\*

\* cited by examiner

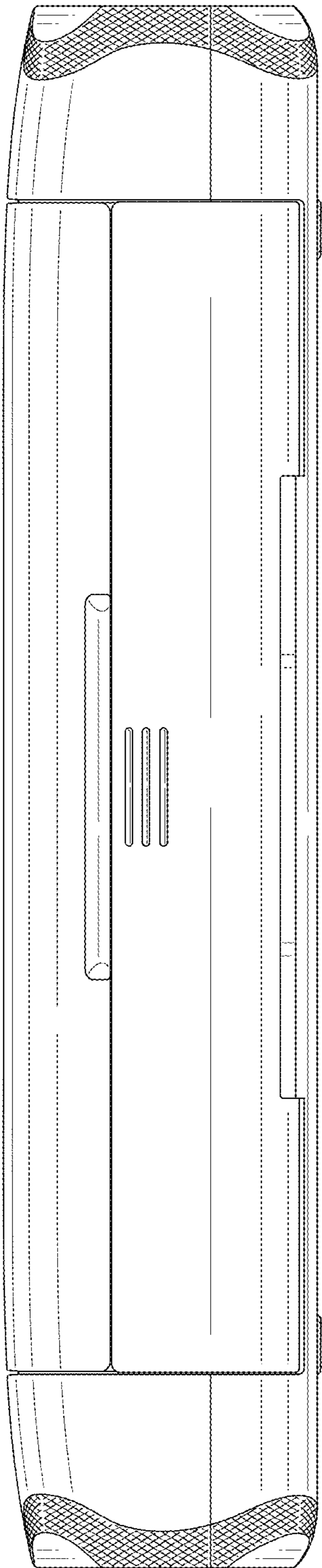


FIG. 1

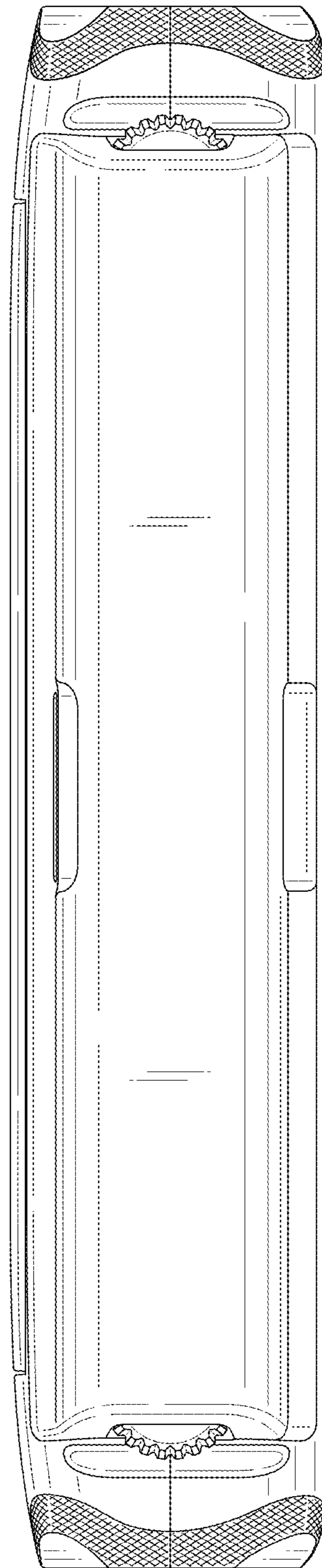


FIG. 2

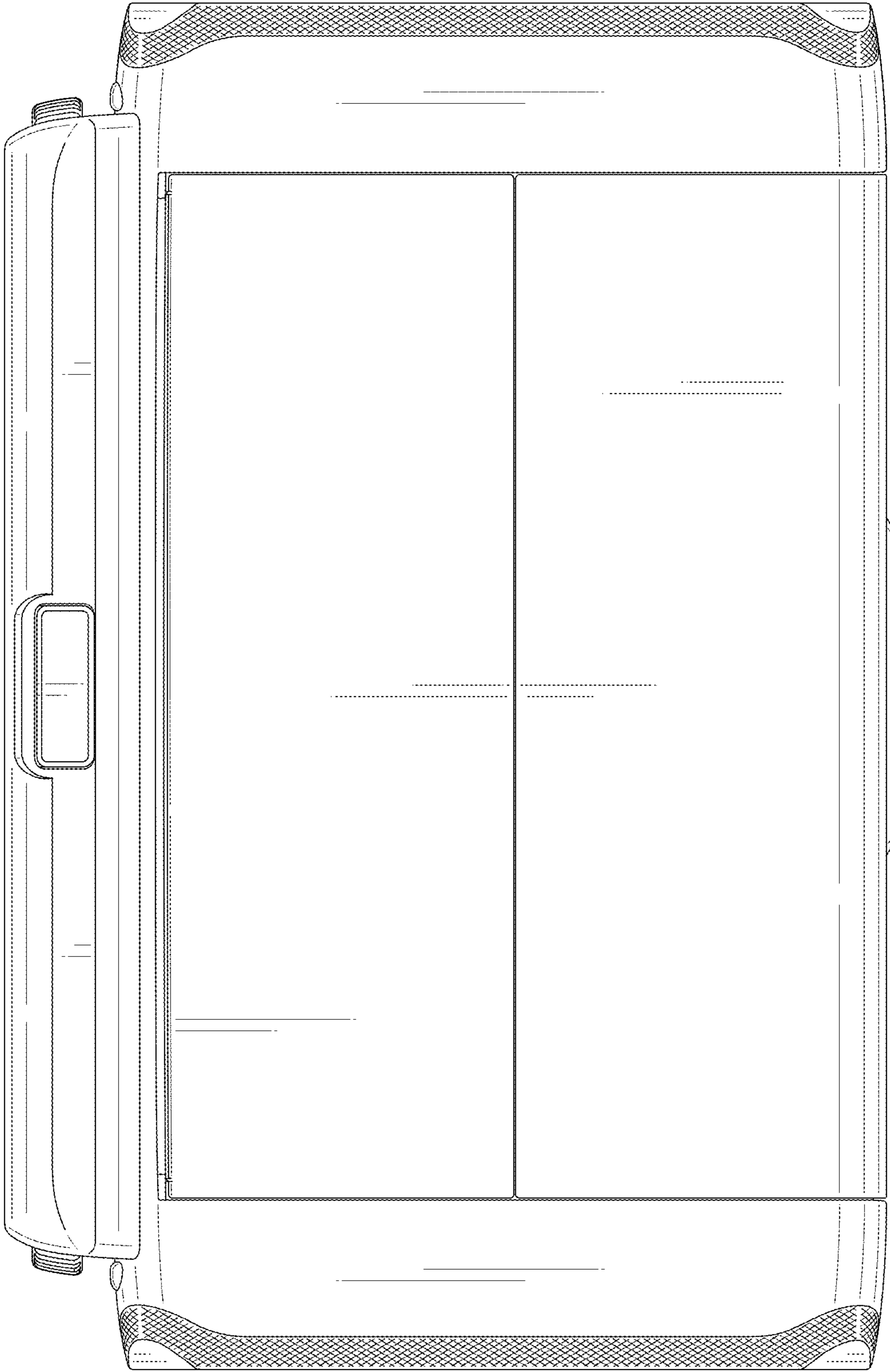


FIG. 3

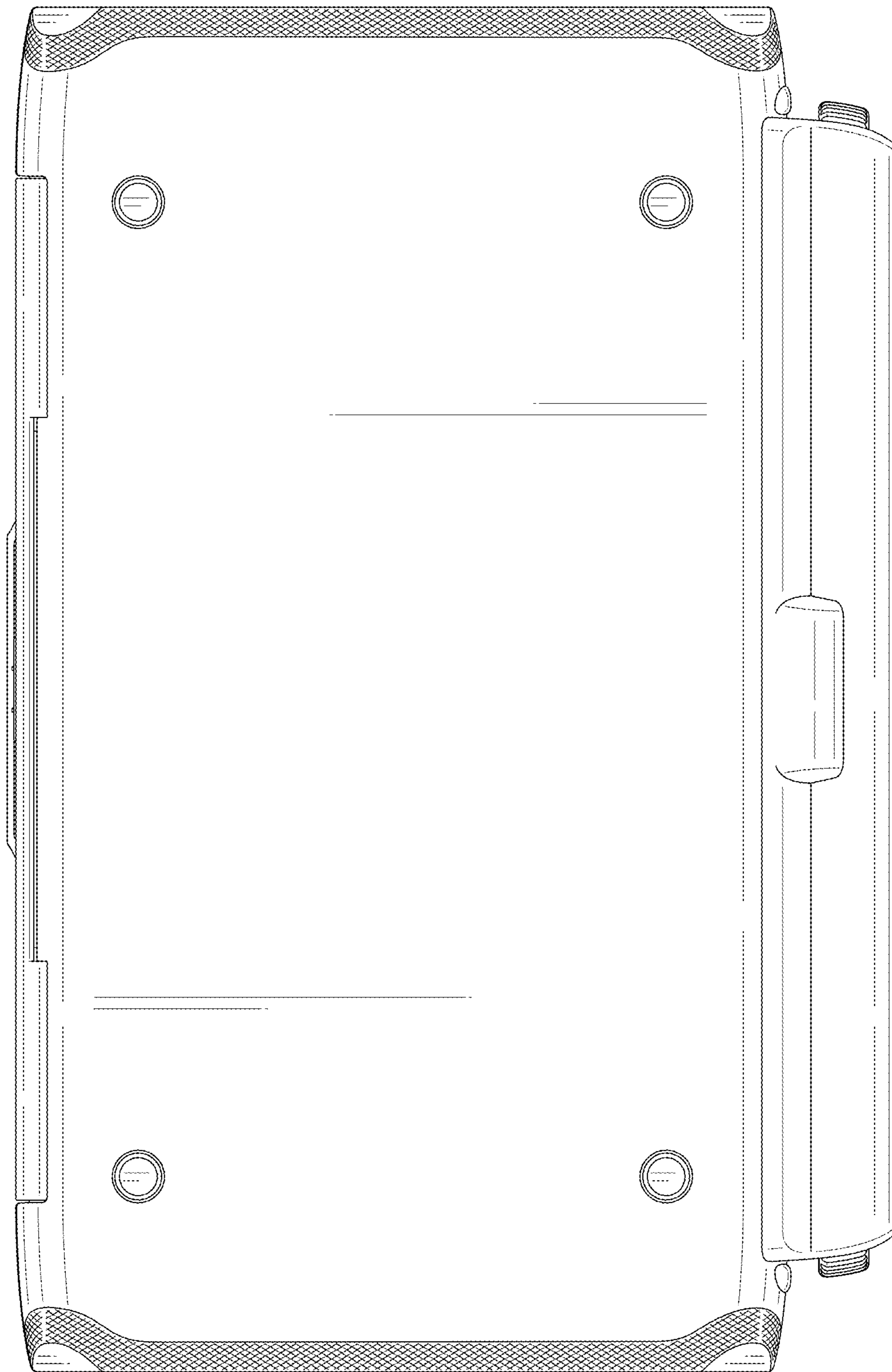


FIG. 4

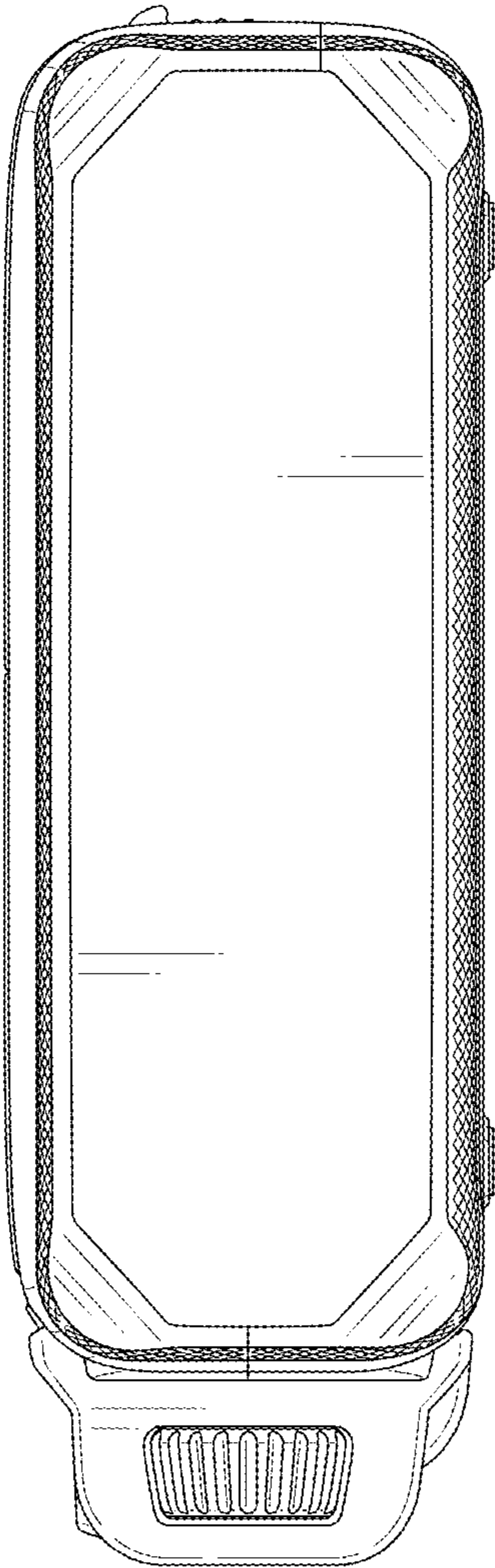


FIG. 5

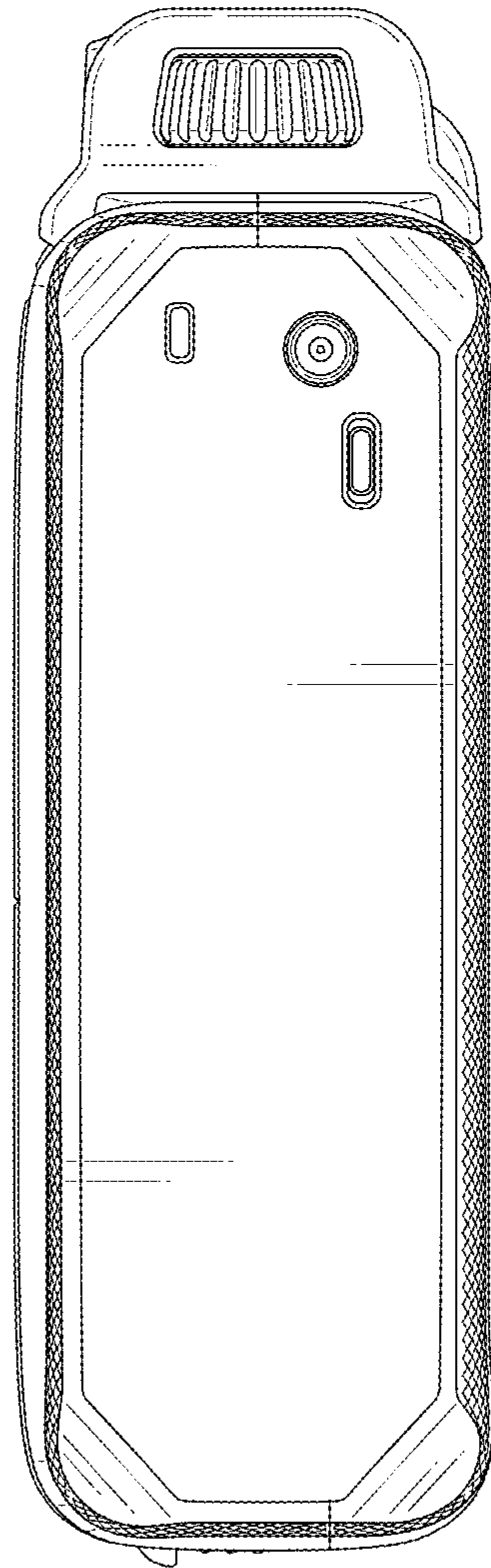


FIG. 6

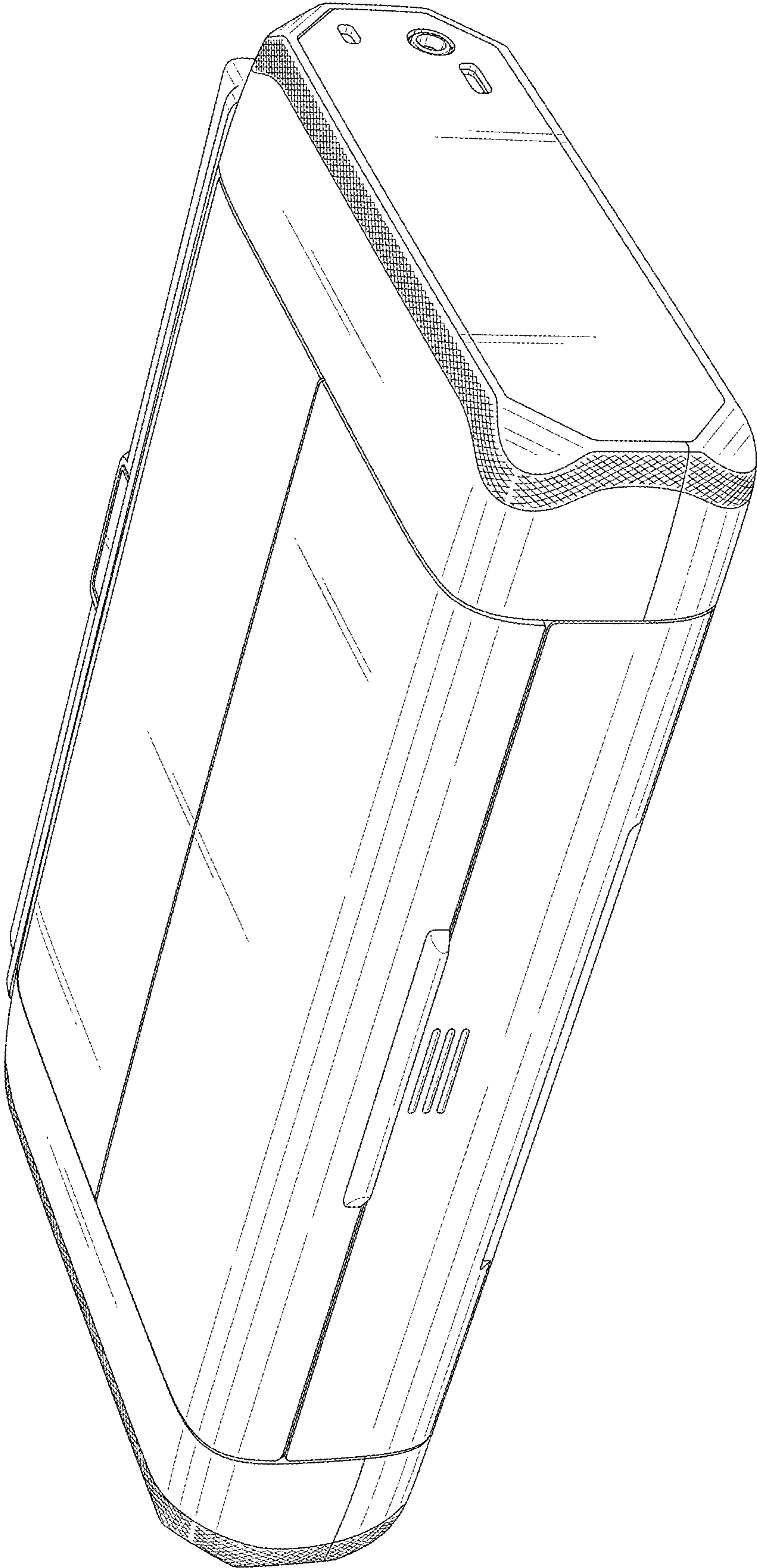


FIG. 7

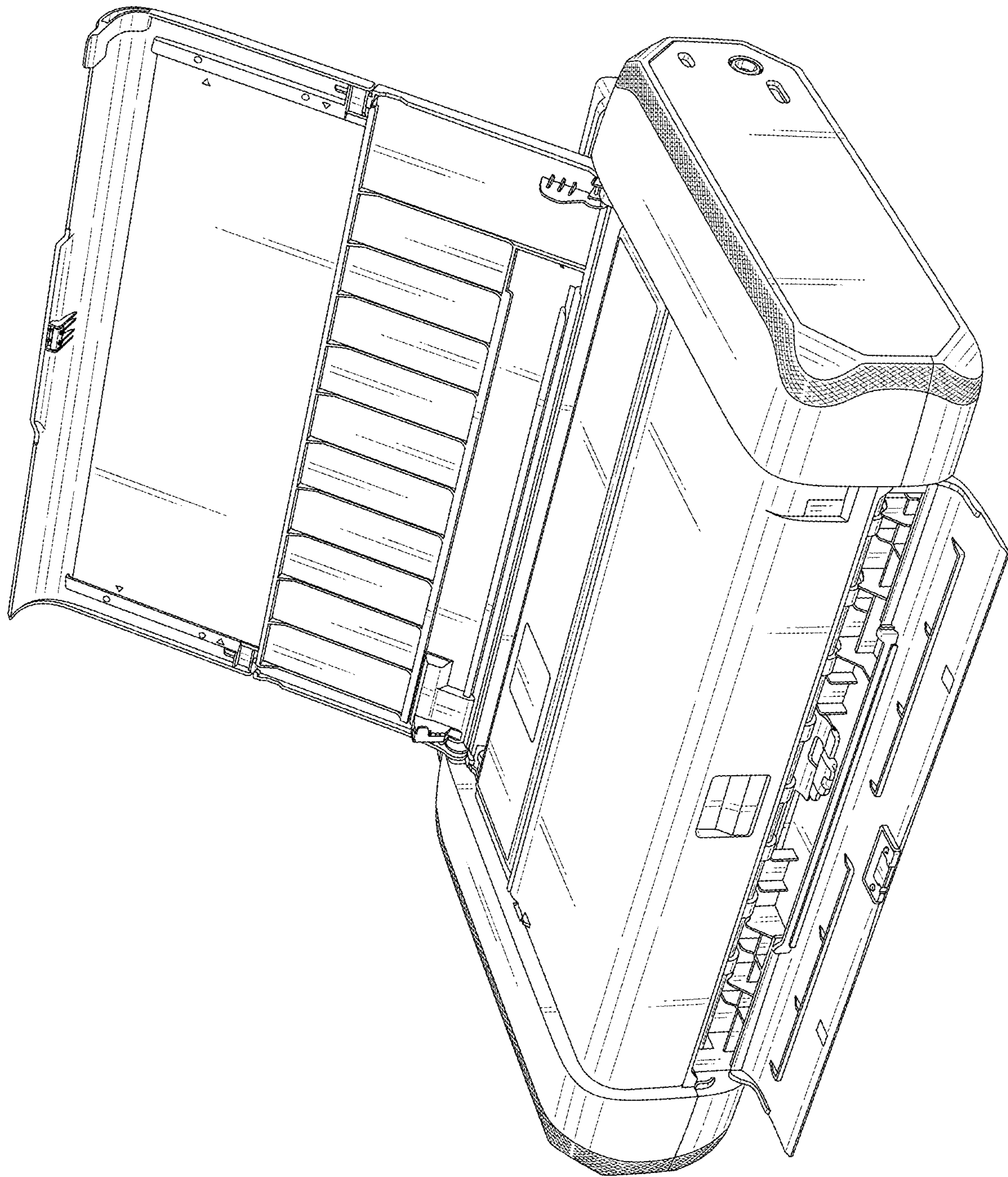


FIG. 8



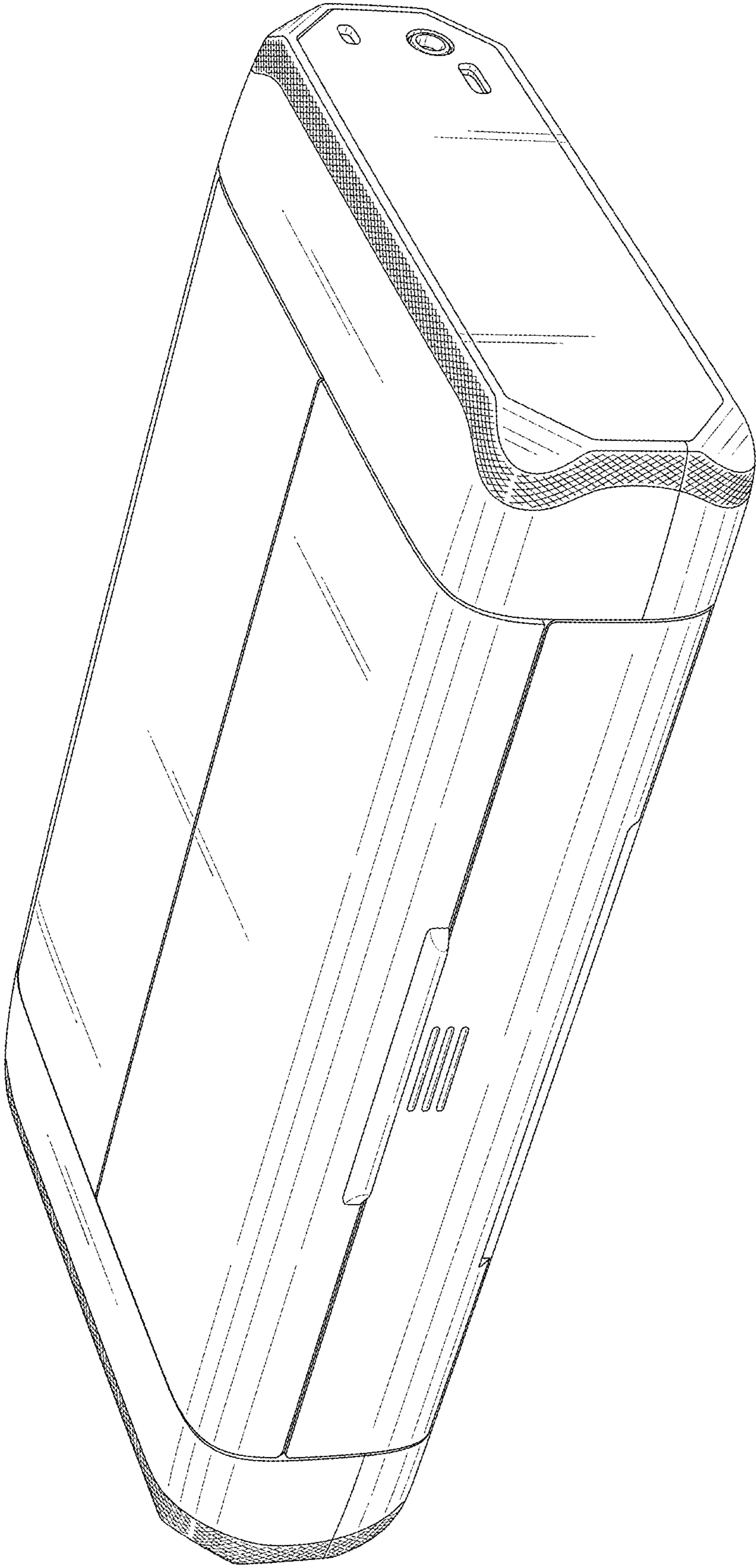


FIG. 9