

US00D947931S

(12) **United States Design Patent** (10) **Patent No.:** **US D947,931 S**  
**Xu** (45) **Date of Patent:** **\*\* Apr. 5, 2022**

(54) **MUSICAL TESLA COIL**

(71) Applicant: **Ying Xu**, Wuhan (CN)

(72) Inventor: **Ying Xu**, Wuhan (CN)

(\*\*) Term: **15 Years**

(21) Appl. No.: **29/687,773**

(22) Filed: **Apr. 16, 2019**

(51) **LOC (13) Cl.** ..... **17-05**

(52) **U.S. Cl.**  
USPC ..... **D17/24; D17/99**

(58) **Field of Classification Search**  
USPC ..... D17/24, 99; D14/172, 204, 221, 222  
CPC ..... H04R 23/006; H01J 2893/0063  
See application file for complete search history.

(56) **References Cited**

**U.S. PATENT DOCUMENTS**

- 4,326,186 A \* 4/1982 Clay ..... H01H 37/765  
337/409
- 5,334,834 A \* 8/1994 Ito ..... H01J 49/105  
250/288
- D419,561 S \* 1/2000 Haase ..... D14/221
- 8,063,337 B1 \* 11/2011 Wiederin ..... H01J 49/105  
250/281

**FOREIGN PATENT DOCUMENTS**

WO WO-2018128980 A1 \* 7/2018 ..... G10K 11/161

**OTHER PUBLICATIONS**

Engine DIY. <https://www.enginediy.com/products/bluetooth-musical-tesla-coil-plasma-speaker-singing-loudspeaker-scientific-experiment->

desktop-educational-toy. "Bluetooth Musical Tesla Coil Plasma Speaker". Date Unknown: Viewed Feb. 2022 (Year: 2022).\*  
Zeusaphone. <https://zeusaphone.com/z-75/>. "2022 Zeusaphone Z-75 MK IV". Date Unknown: Viewed Feb. 2022 (Year: 2022).\*  
Amazon.com. [https://www.amazon.com/dp/B093L3Q6K9/ref=sspa\\_dk\\_detail\\_0?pd\\_rd\\_i=B093L306K9&pd\\_rd\\_w=xB4An&pf\\_rd\\_p=54ed5474-54a8-4c7f-a88a-45f748d18166&pd\\_rd\\_wg=vludc&pf\\_rd\\_r=Q3HZZ96BRVBFN55ED678&pd\\_rd\\_r=6dd5a924-0172-4353-a649-dee4e870e1ea&s=toys-and-games&spLa=ZW5jcmlwdGVkU XVhbGlmaWVyPUEzMUdaTTNSN004OUtNjMvY3J5cHRIZEFkS WQ9QTA5NDA5NjYyMFVFNkRHRVFEFHTTBCJndpZGldE5hb WU9c3BfZGV0YWIsX3RoZW1hdGljJmFjdGlvbjljbGlja1JIZGIy ZWN0JmRvTm90TG9nQ2xpY2s9dHJlZQ&th=1](https://www.amazon.com/dp/B093L3Q6K9/ref=sspa_dk_detail_0?pd_rd_i=B093L306K9&pd_rd_w=xB4An&pf_rd_p=54ed5474-54a8-4c7f-a88a-45f748d18166&pd_rd_wg=vludc&pf_rd_r=Q3HZZ96BRVBFN55ED678&pd_rd_r=6dd5a924-0172-4353-a649-dee4e870e1ea&s=toys-and-games&spLa=ZW5jcmlwdGVkU XVhbGlmaWVyPUEzMUdaTTNSN004OUtNjMvY3J5cHRIZEFkS WQ9QTA5NDA5NjYyMFVFNkRHRVFEFHTTBCJndpZGldE5hb WU9c3BfZGV0YWIsX3RoZW1hdGljJmFjdGlvbjljbGlja1JIZGIy ZWN0JmRvTm90TG9nQ2xpY2s9dHJlZQ&th=1). "Joytech Bluetooth Music Tesla Coil". Date Unknown: Viewed Feb. 2022 (Year: 2022).\*

\* cited by examiner

*Primary Examiner* — R. Johnson

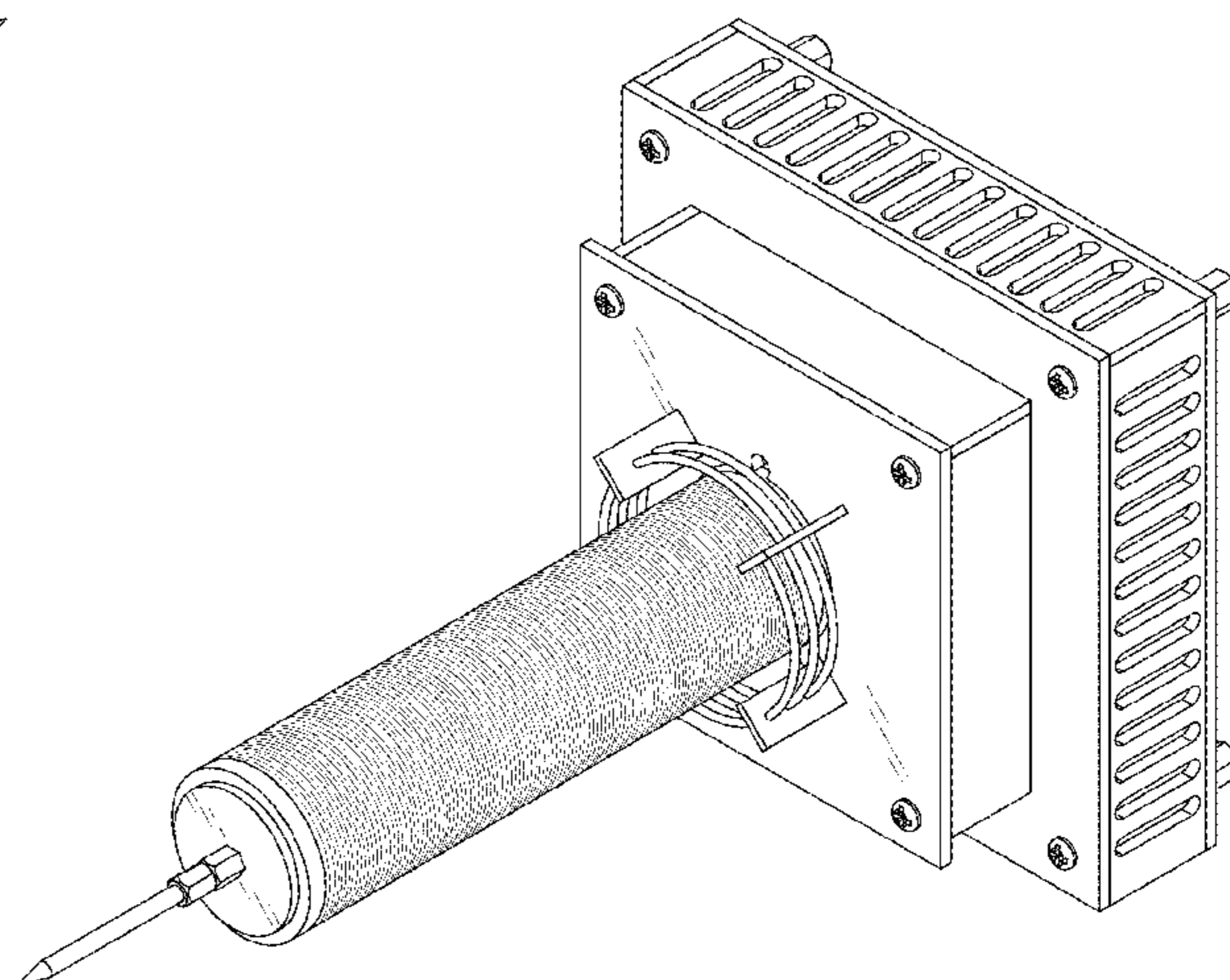
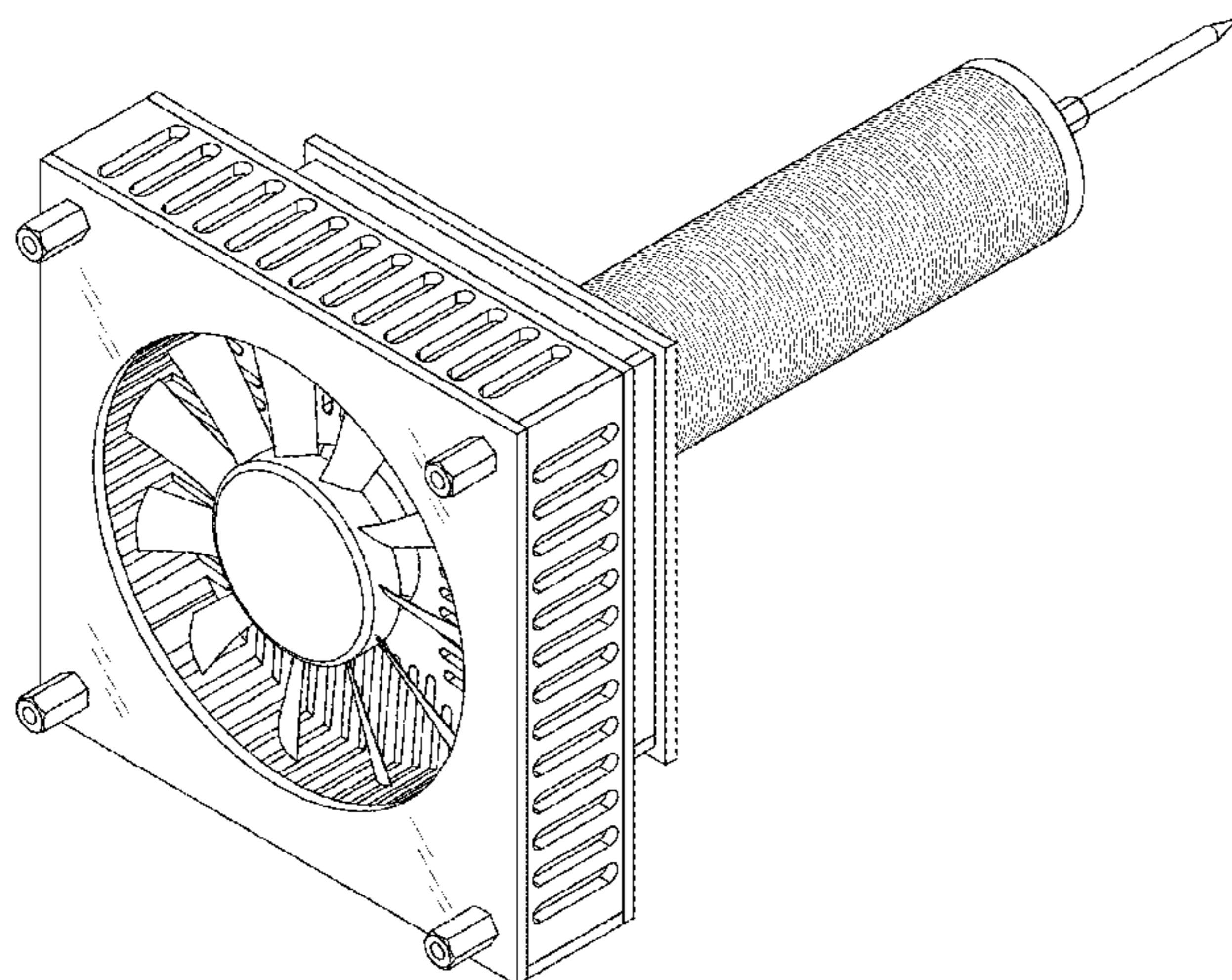
(57) **CLAIM**

The ornamental design for a musical tesla coil, as shown and described.

**DESCRIPTION**

FIG. 1 is a bottom, rear perspective view of the musical tesla coil showing my new design;  
FIG. 2 is a top, front perspective view thereof;  
FIG. 3 is a front elevational view thereof;  
FIG. 4 is a rear elevational view thereof;  
FIG. 5 is a left side elevational view thereof;  
FIG. 6 is a right side elevational view thereof;  
FIG. 7 is a top plan view thereof; and,  
FIG. 8 is a bottom plan view thereof.

**1 Claim, 8 Drawing Sheets**



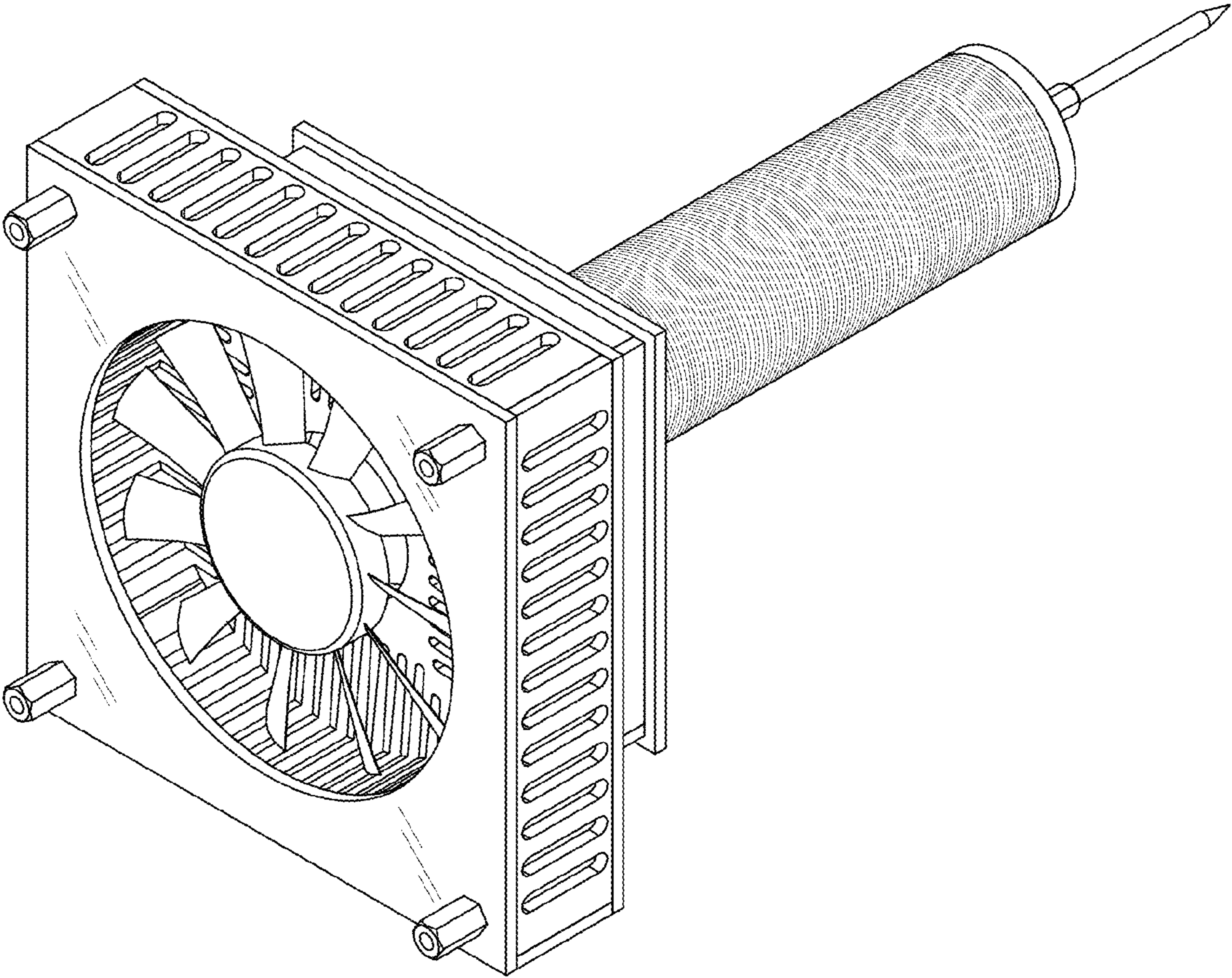


FIG.1

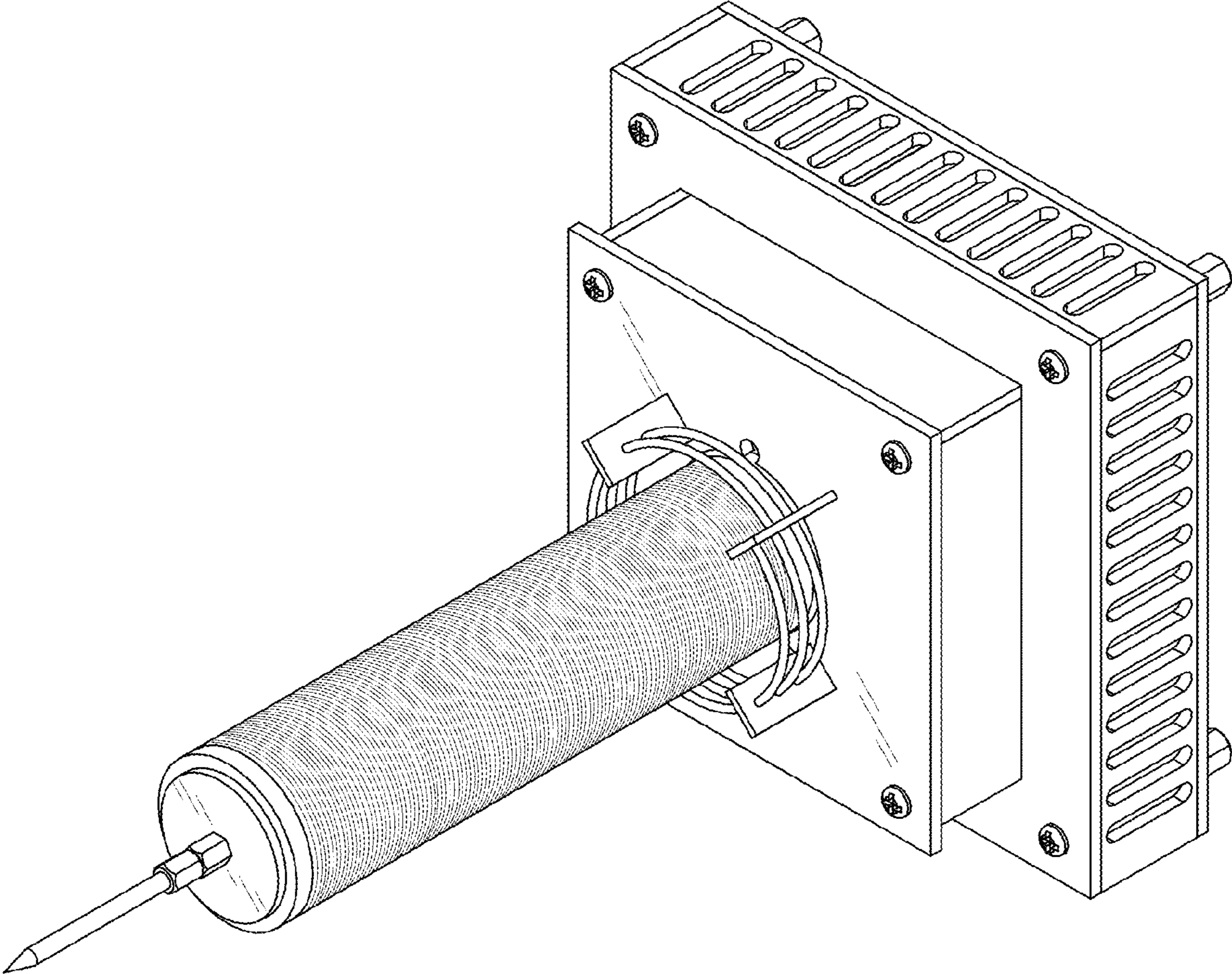


FIG.2

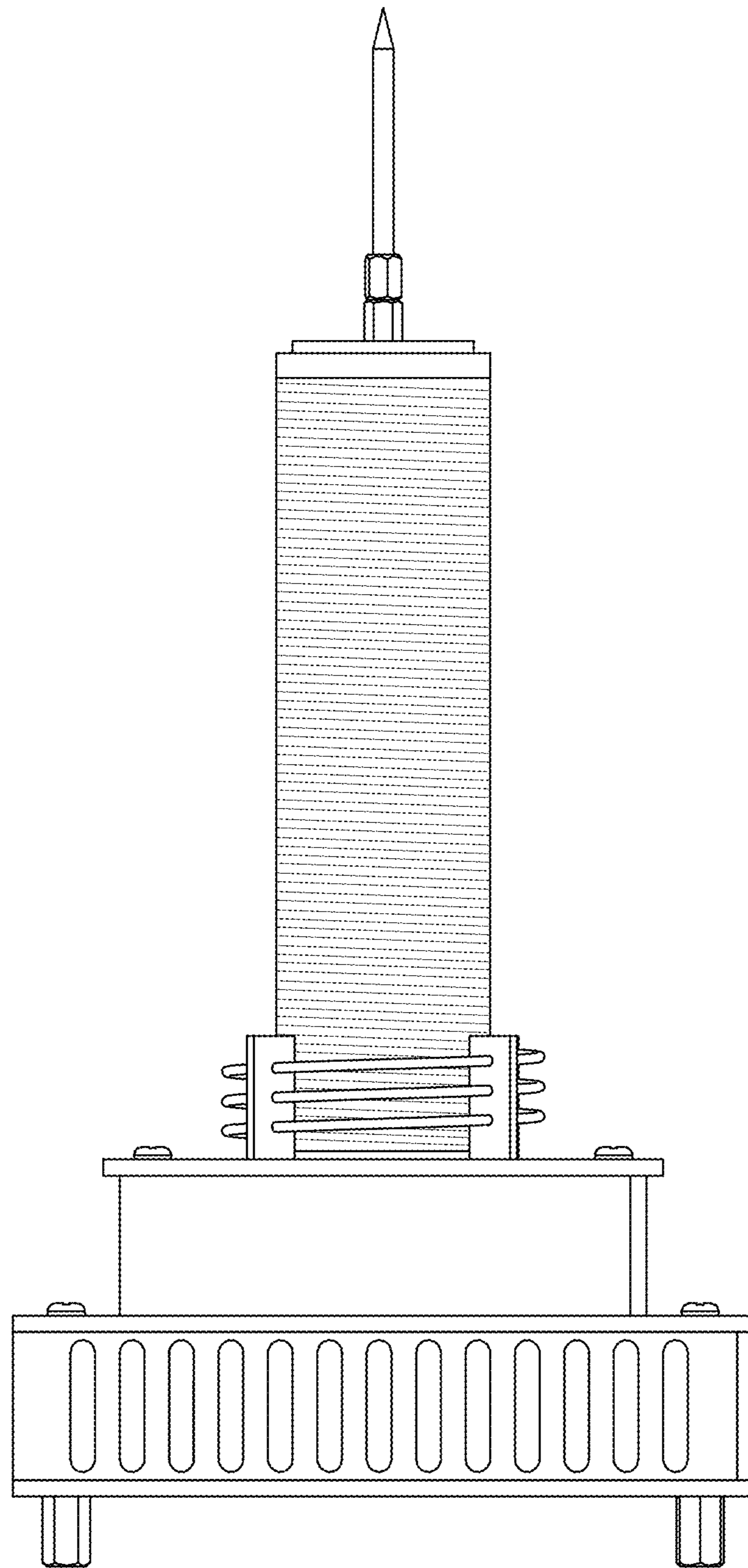


FIG.3

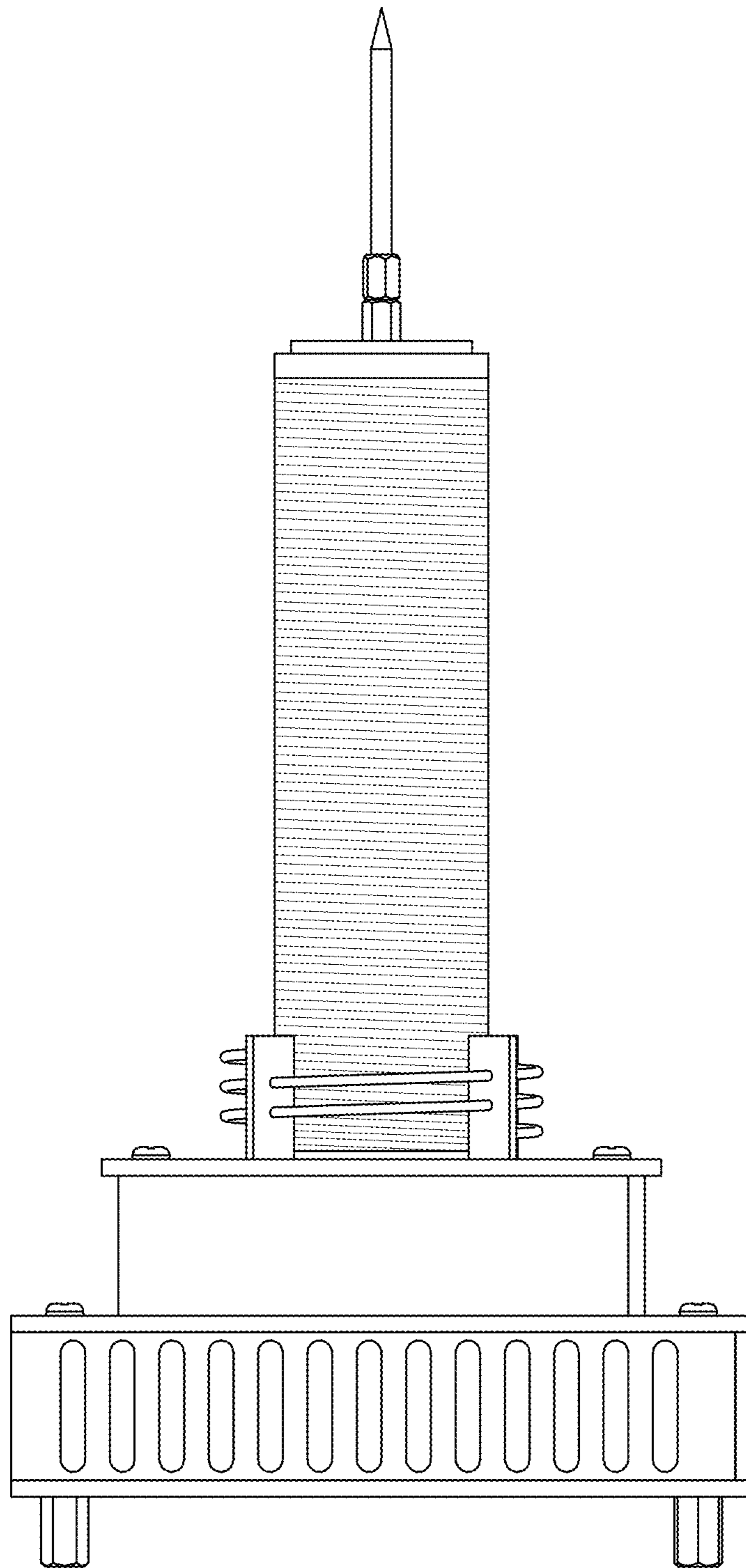


FIG.4

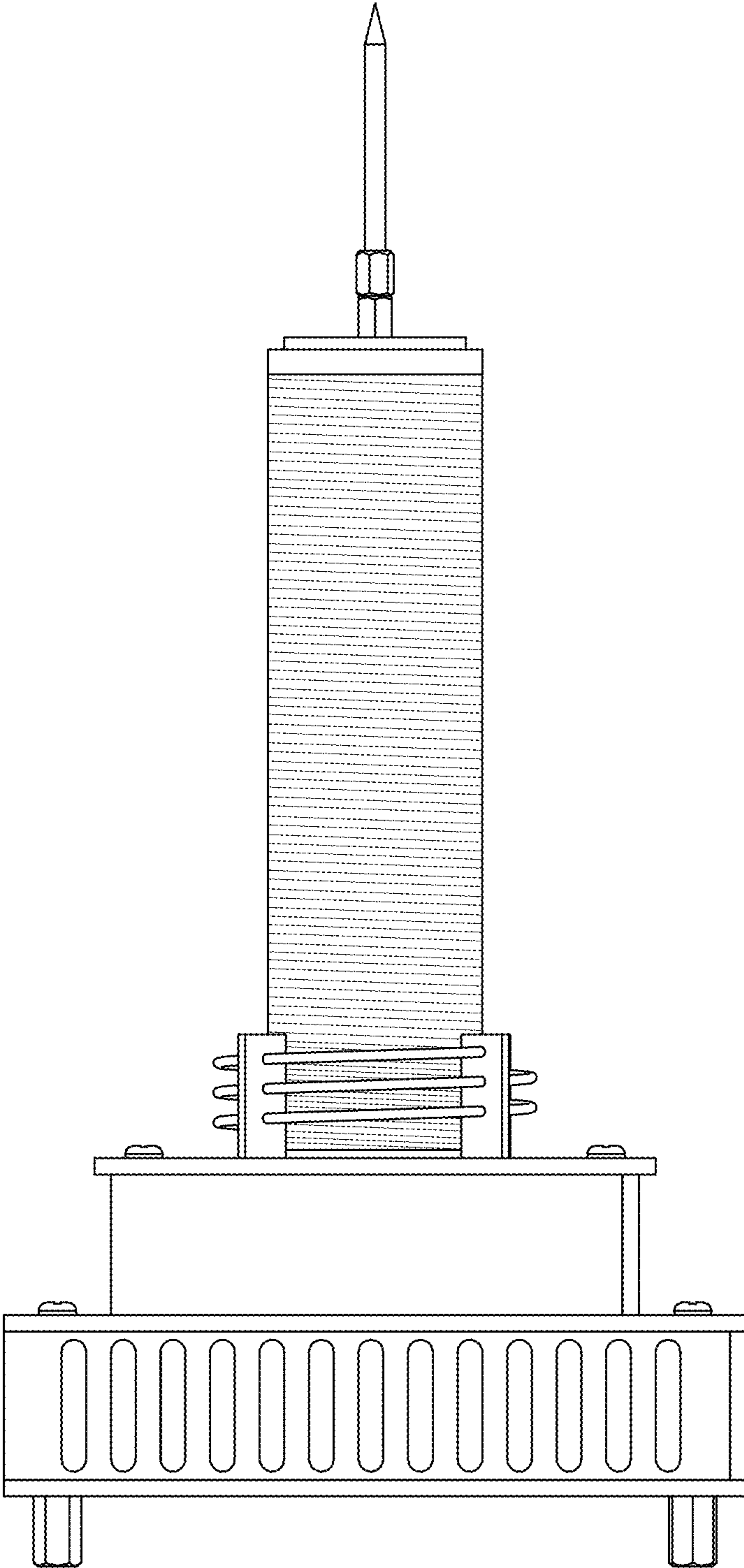


FIG.5

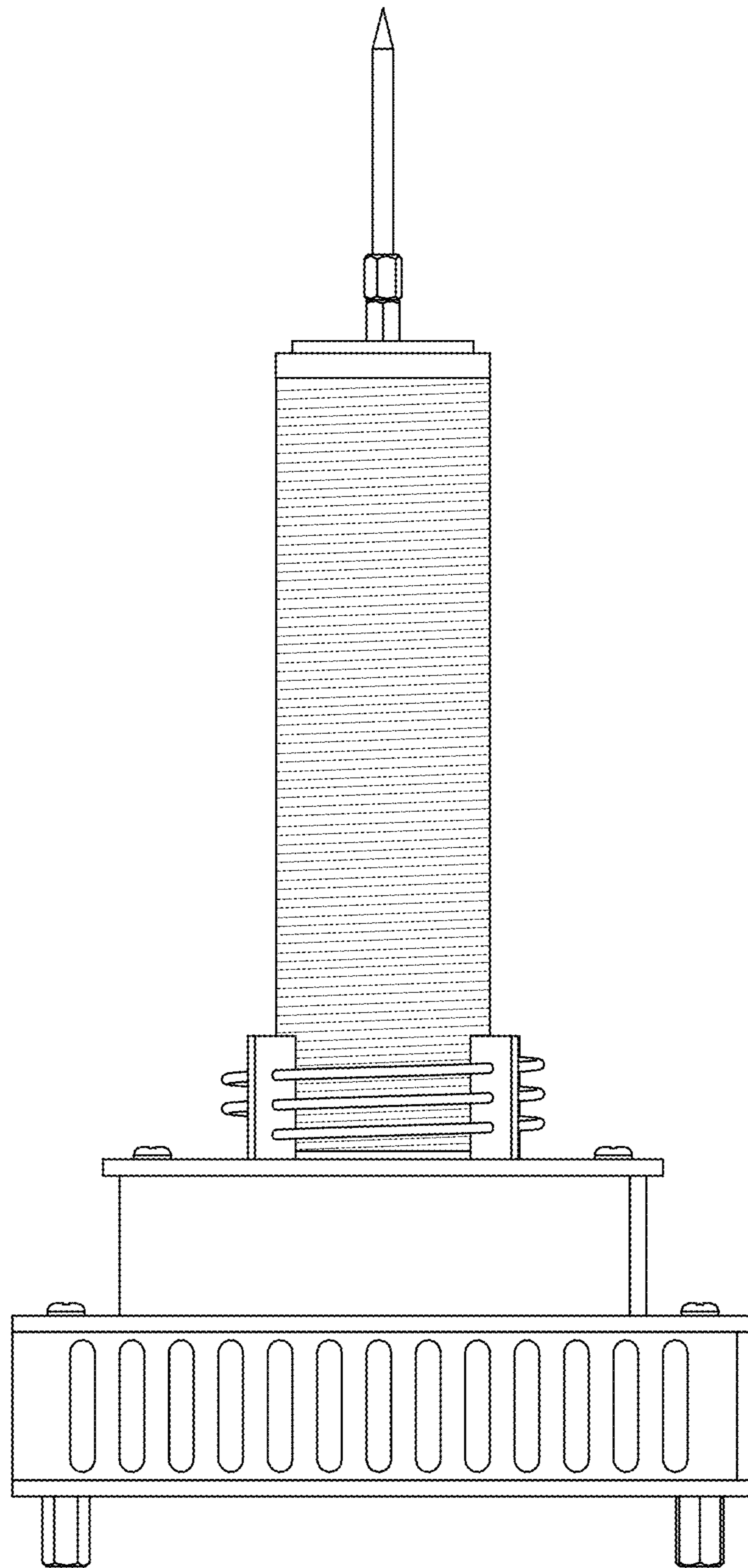


FIG.6

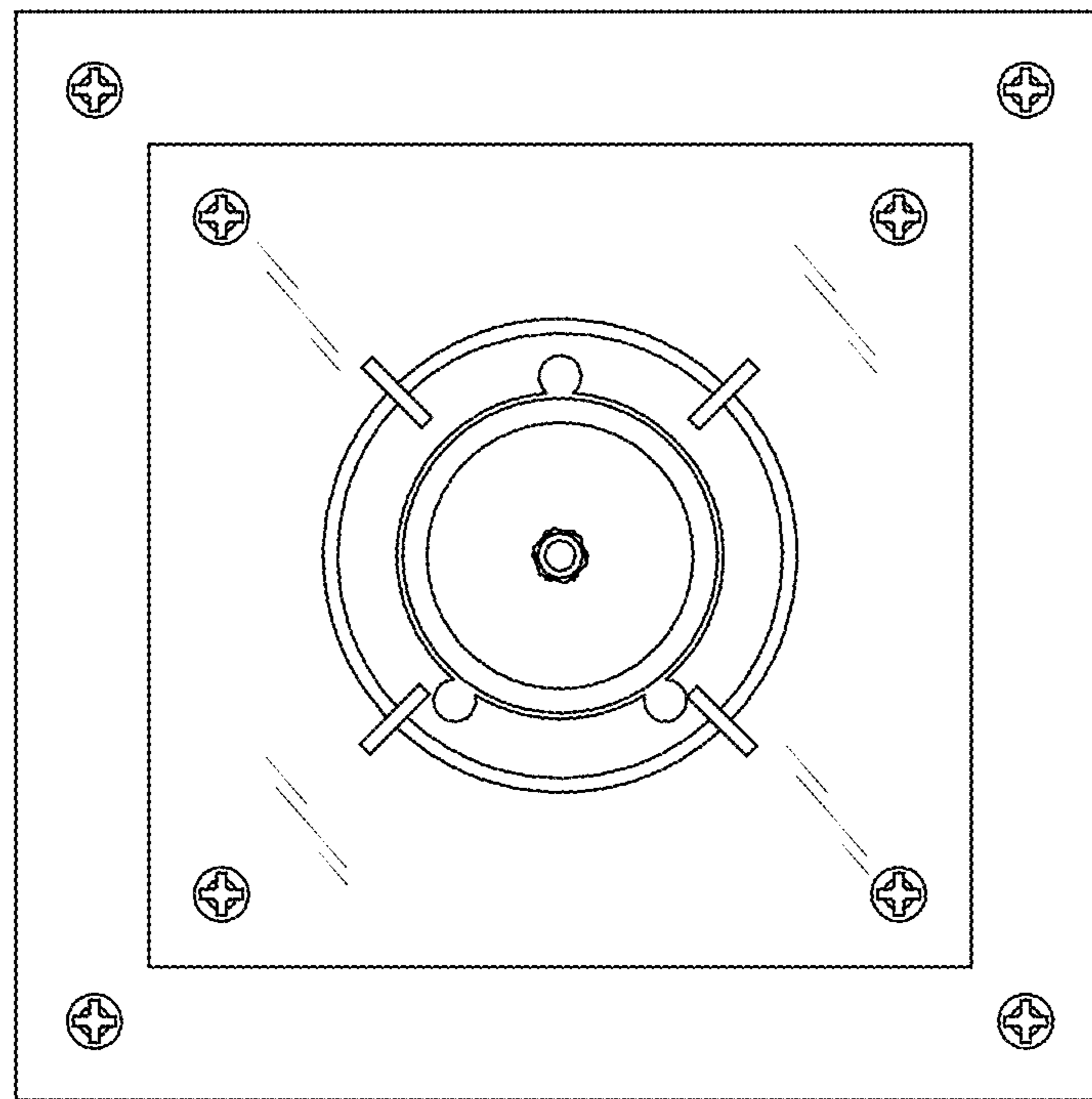


FIG.7



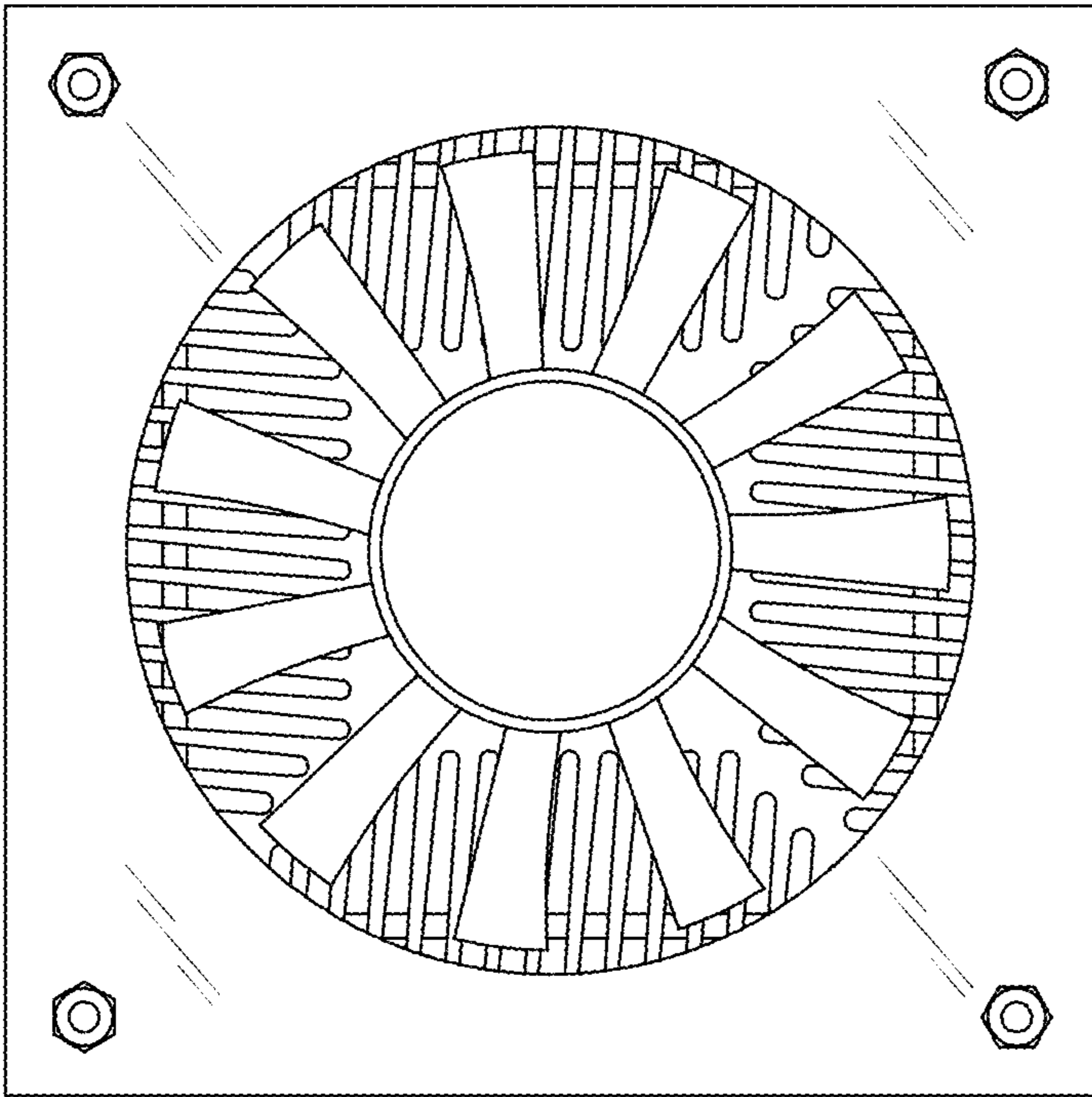


FIG.8