



US00D947930S

(12) **United States Design Patent**  
**Chen**

(10) **Patent No.:** **US D947,930 S**

(45) **Date of Patent:** **\*\* Apr. 5, 2022**

(54) **TRIPOD**

(71) Applicant: **Yichun Chen**, Ningbo (CN)

(72) Inventor: **Yichun Chen**, Ningbo (CN)

(\*\*) Term: **15 Years**

(21) Appl. No.: **29/767,799**

(22) Filed: **Jan. 26, 2021**

(51) **LOC (13) Cl.** ..... **16-05**

(52) **U.S. Cl.**  
USPC ..... **D16/244; D22/108**

(58) **Field of Classification Search**  
USPC ..... D16/208–209, 219, 237–250; D8/354,  
D8/355, 363, 373, 382–383, 394–396;  
D14/224, 229, 238, 251, 253, 447, 451,  
D14/457; D22/108

CPC .. F16M 11/14; G02B 7/00–002; G03B 17/56;  
G03B 17/561–566; H04N 5/2253–2254;  
A45F 5/00; A45F 2200/0508–0533

See application file for complete search history.

(56) **References Cited**

**U.S. PATENT DOCUMENTS**

D269,880 S *	7/1983	Iwasaki .....	D16/244
D712,394 S *	9/2014	Booth .....	D14/253
10,139,039 B1 *	11/2018	Reed .....	F16M 13/00
D854,006 S *	7/2019	Wang .....	D14/253
D860,299 S	9/2019	Li et al.	
D886,094 S *	6/2020	Xu .....	D14/253
D888,814 S *	6/2020	Chen .....	D16/244
D895,716 S *	9/2020	Chen .....	D16/244
D907,027 S *	1/2021	Halpern .....	D14/253
D930,063 S *	9/2021	Li .....	D16/244
D935,547 S *	11/2021	Ye .....	D22/108
D943,049 S *	2/2022	Roberts .....	D22/108
2018/0106418 A1 *	4/2018	Anglin .....	F16M 11/28
2020/0081325 A1 *	3/2020	Zhu .....	F16M 11/08
2020/0272031 A1 *	8/2020	Zhu .....	F16M 11/16

**OTHER PUBLICATIONS**

Field Optics Research FM-550 GunPOD Tripod Gun Mount System. [online] Retrieved Feb. 9, 2022 from URL: <https://www.adorama.com/forfm550f.html> (Year: 2022).\*

Tripod with Durable, Lightweight and Hands-Free Operation for Hunting. [online] Published on Aug. 19, 2020. Retrieved Feb. 9, 2022 from URL: <https://www.amazon.com/Lightweight-Hands-Free-Operation-Shooting-Outdoors/dp/B08G8W9B98> (Year: 2020).\*

(Continued)

*Primary Examiner* — Vy N Koenig

(57) **CLAIM**

The ornamental design for a tripod, as shown and described.

**DESCRIPTION**

FIG. 1 is a front and top perspective view of a tripod, showing my new design;

FIG. 2 is a rear and bottom perspective view thereof;

FIG. 3 is a front elevational view thereof;

FIG. 4 is a rear elevational view thereof;

FIG. 5 is a left side elevational view thereof;

FIG. 6 is a right side elevational view thereof;

FIG. 7 is a top plan view thereof;

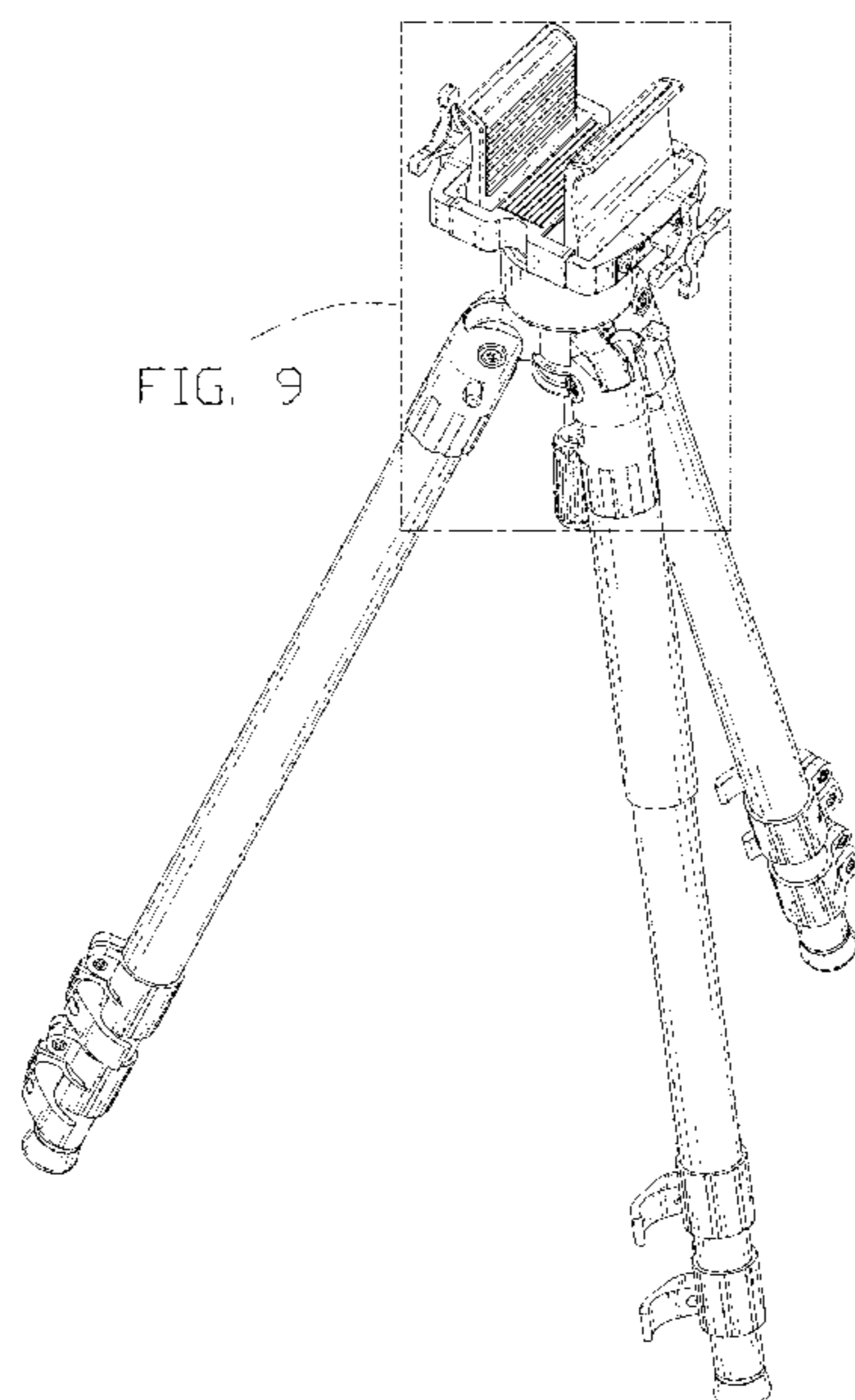
FIG. 8 is a bottom plan view thereof;

FIG. 9 is an enlarged view of a portion, labeled “FIG. 9” in FIG. 1; and,

FIG. 10 is an enlarged view of a portion, labeled “FIG. 10” in FIG. 2.

The dashed broken lines in the figures illustrate portions of the article that form no part of the claimed design. The dash dot dash lines in FIGS. 1, 2, 9, and 10 are for the purpose of depicting the cut line of the enlarged view and form no part of the claim.

**1 Claim, 10 Drawing Sheets**



(56)

**References Cited**

OTHER PUBLICATIONS

BOGgear Deathgrip Aluminum Tripod. [online] Published on Feb. 24, 2019. Retrieved Feb. 9, 2022 from URL: <https://www.amazon.ca/Deathgrip-Aluminum-Lightweight-Hands-Free-Operation/dp/B07KMPCVMH> (Year: 2019).\*

\* cited by examiner

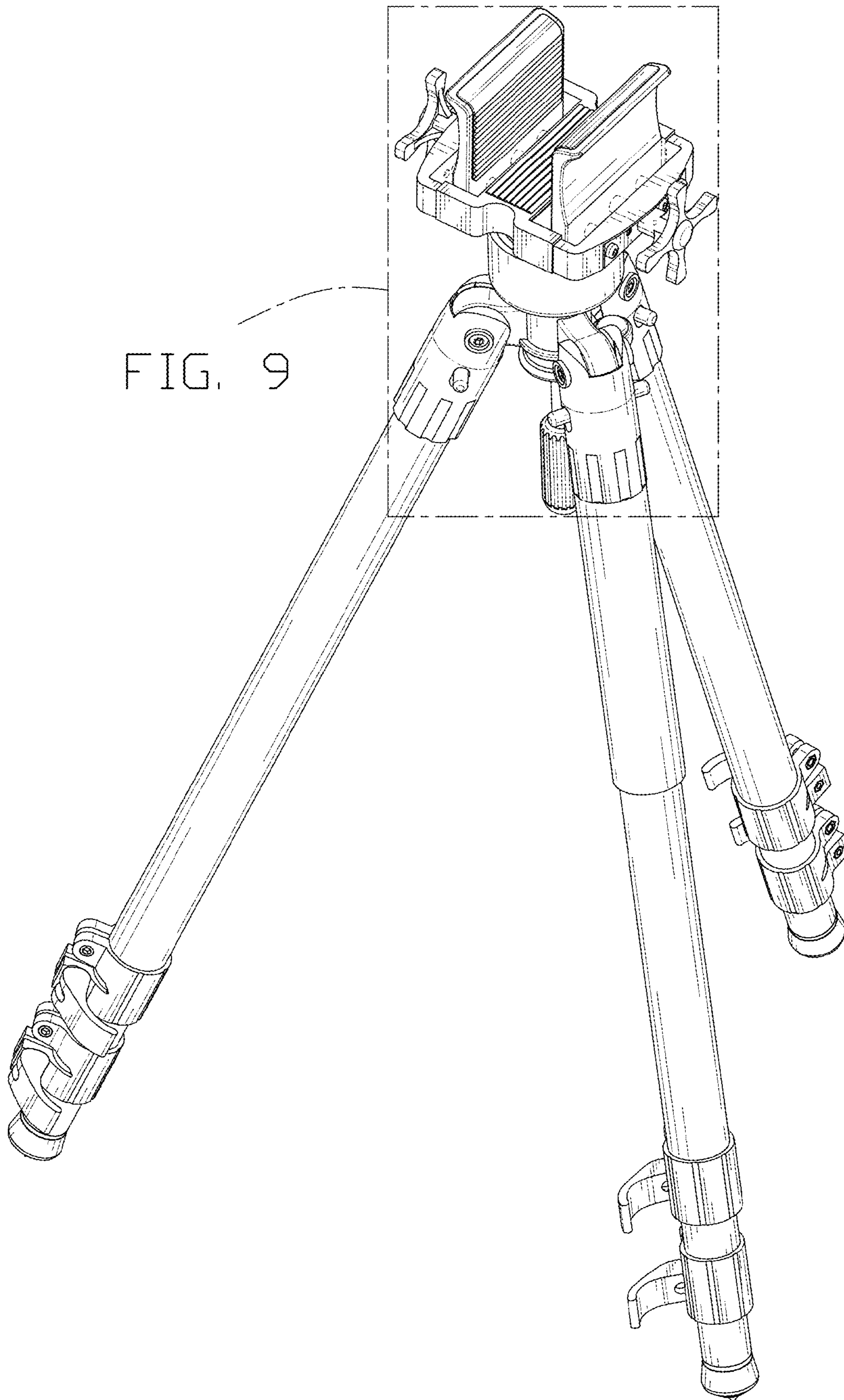


FIG. 9

FIG. 1



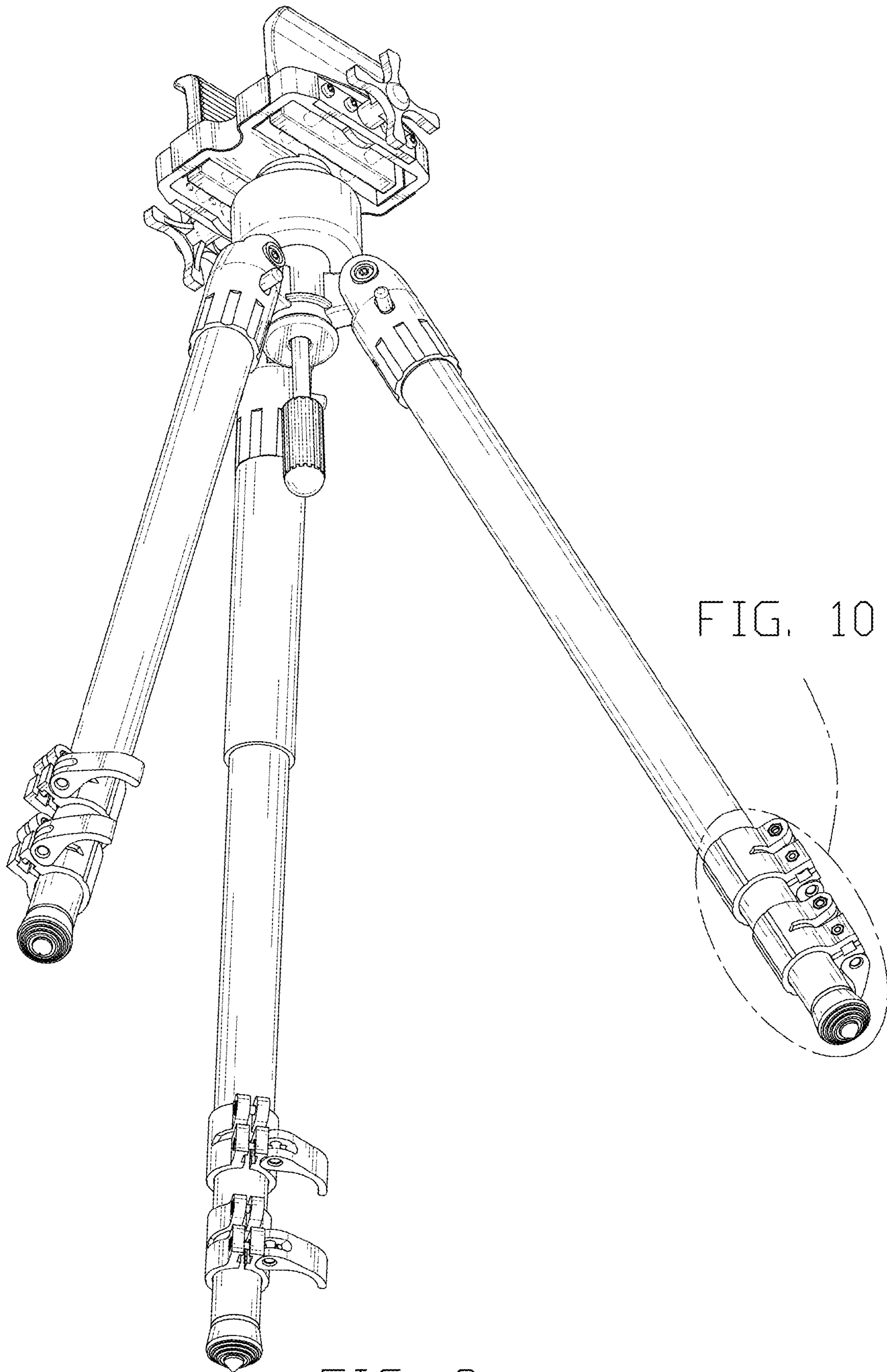


FIG. 2

FIG. 10

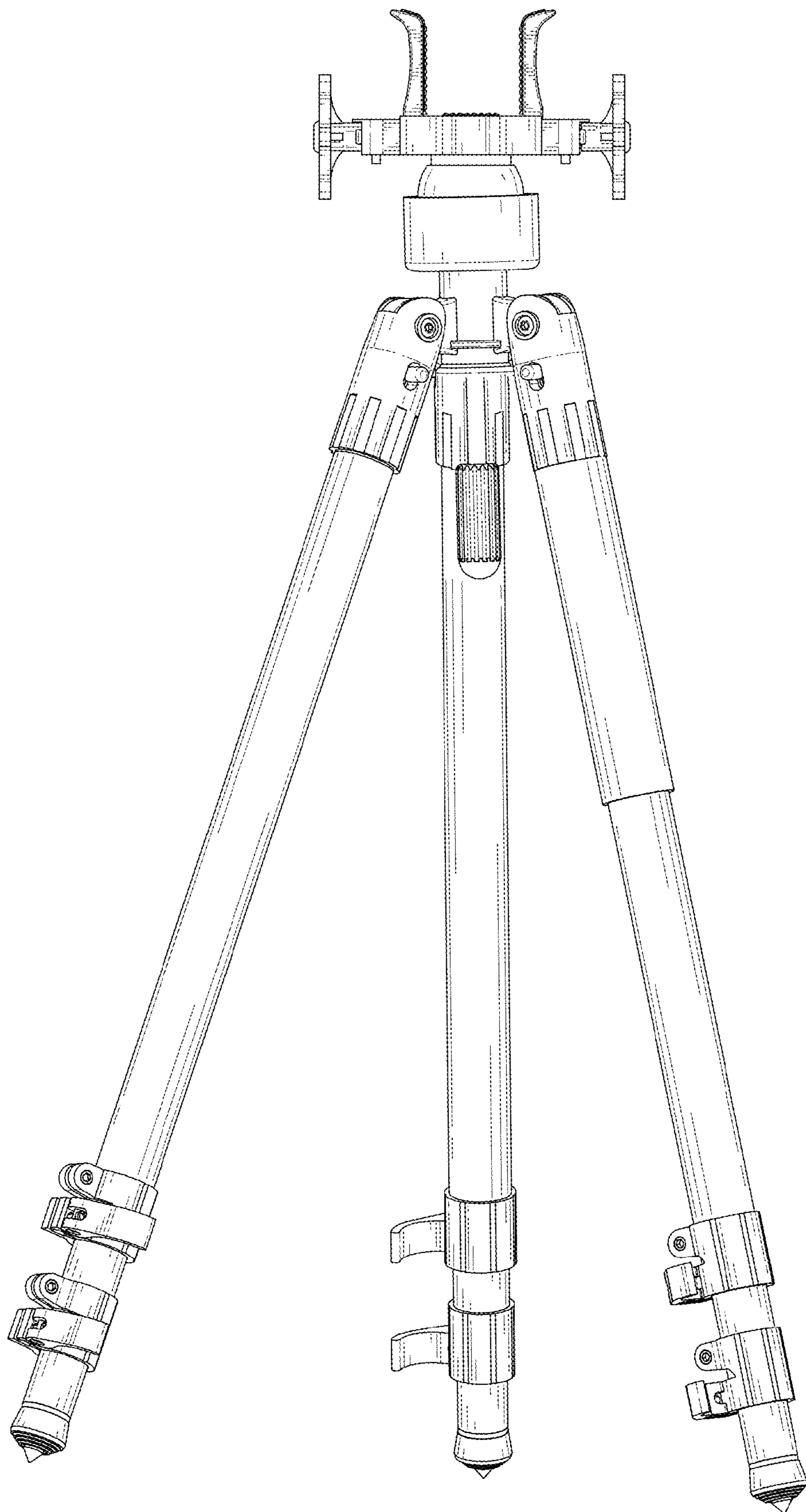


FIG. 3

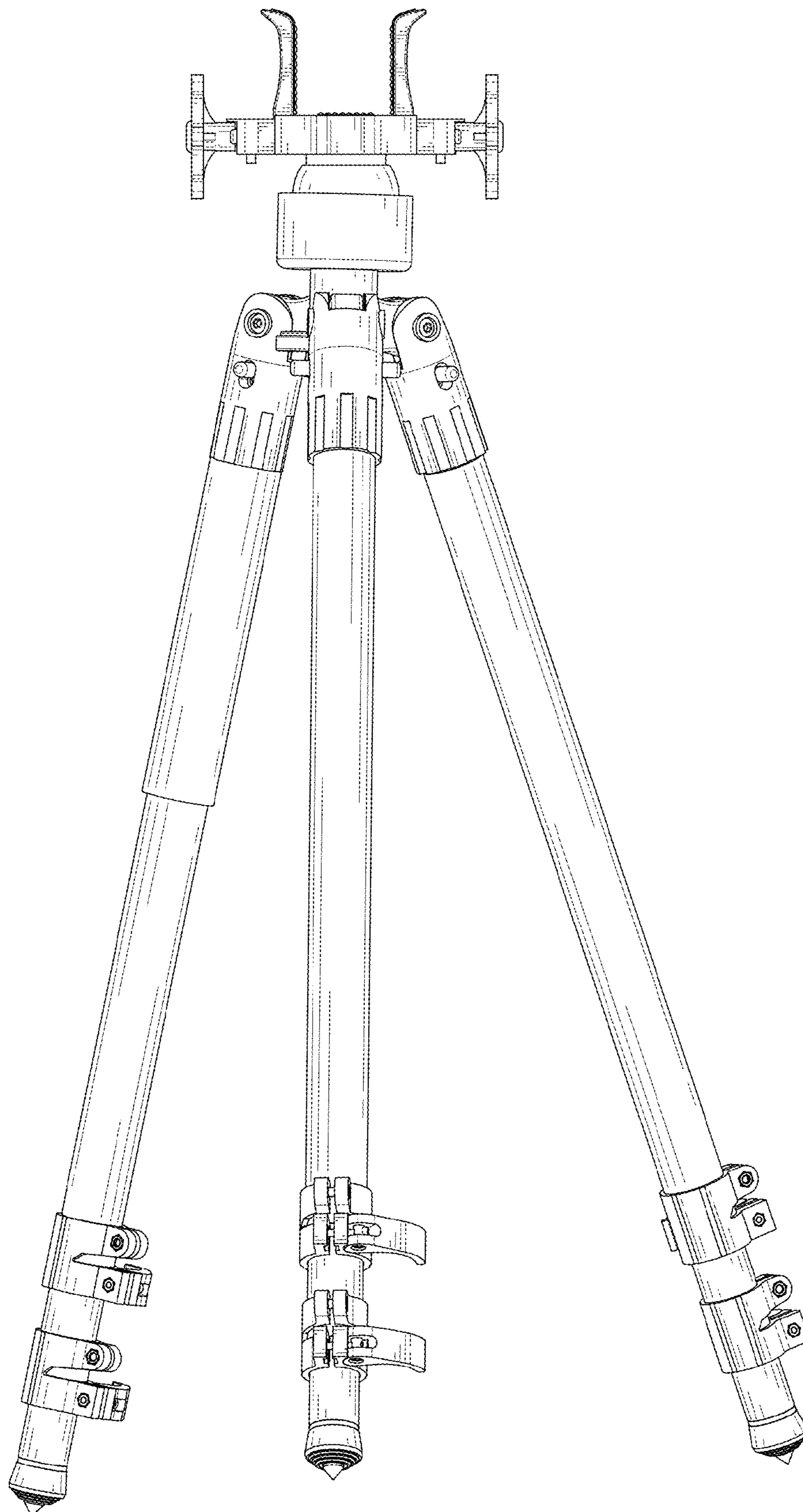


FIG. 4

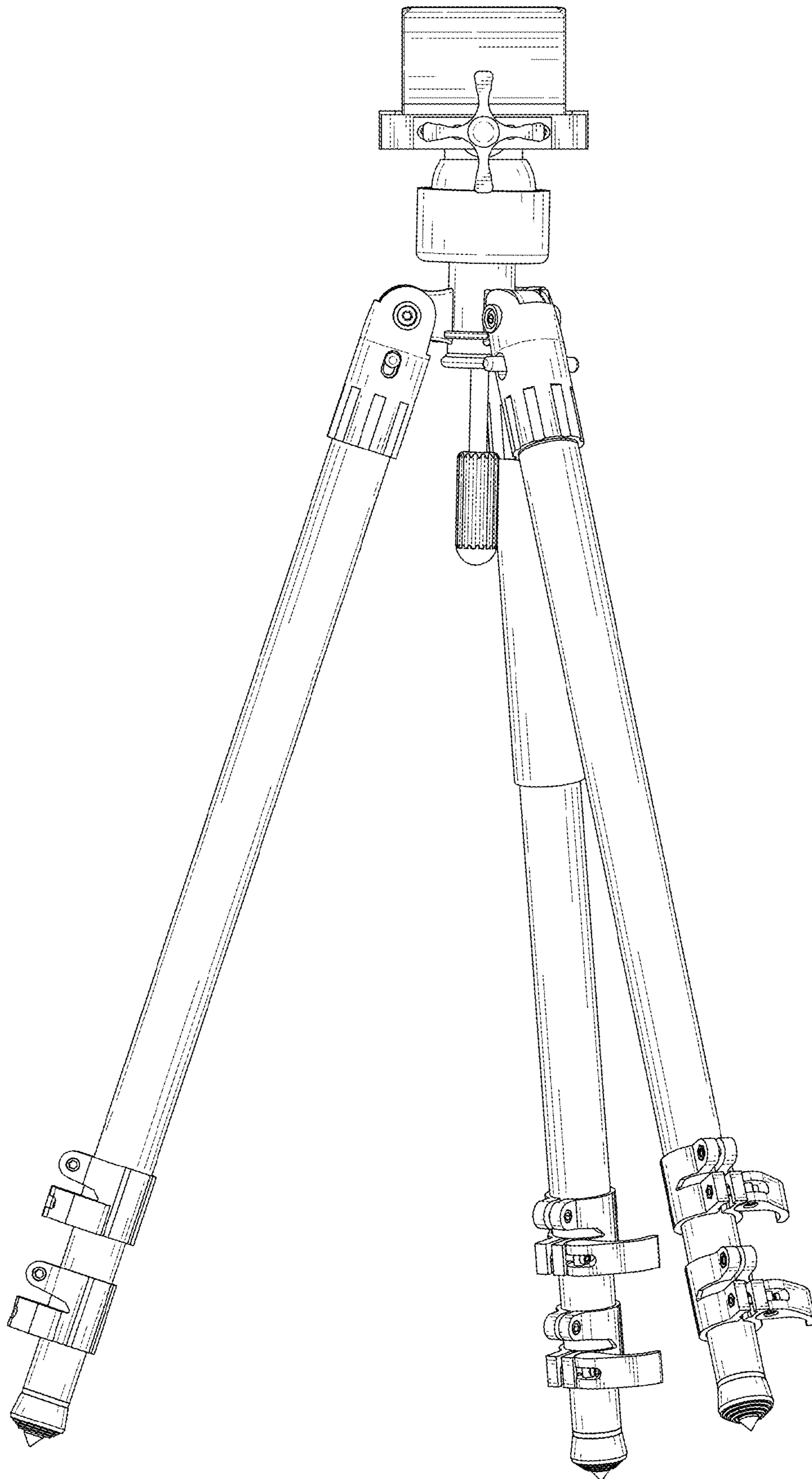


FIG. 5



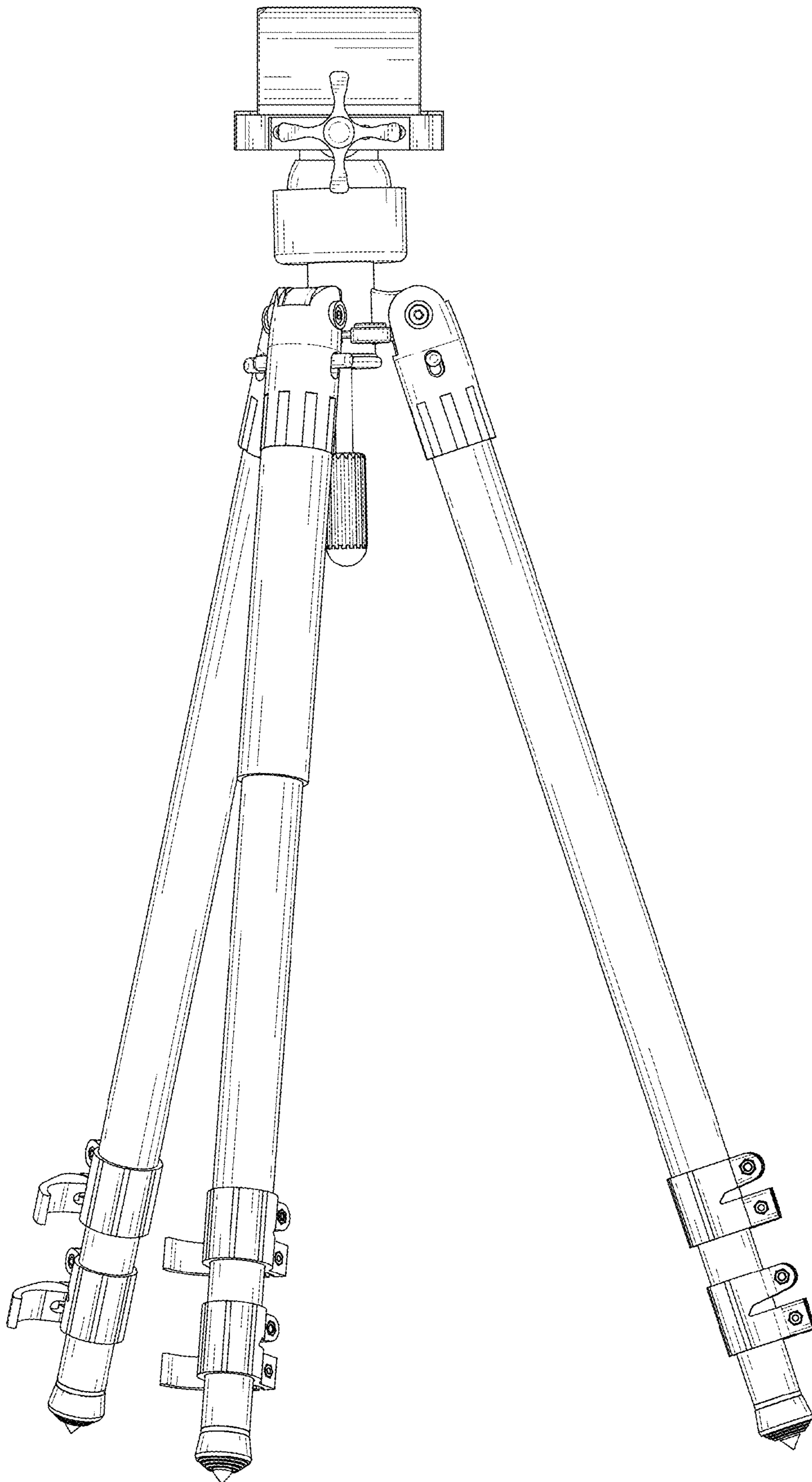


FIG. 6



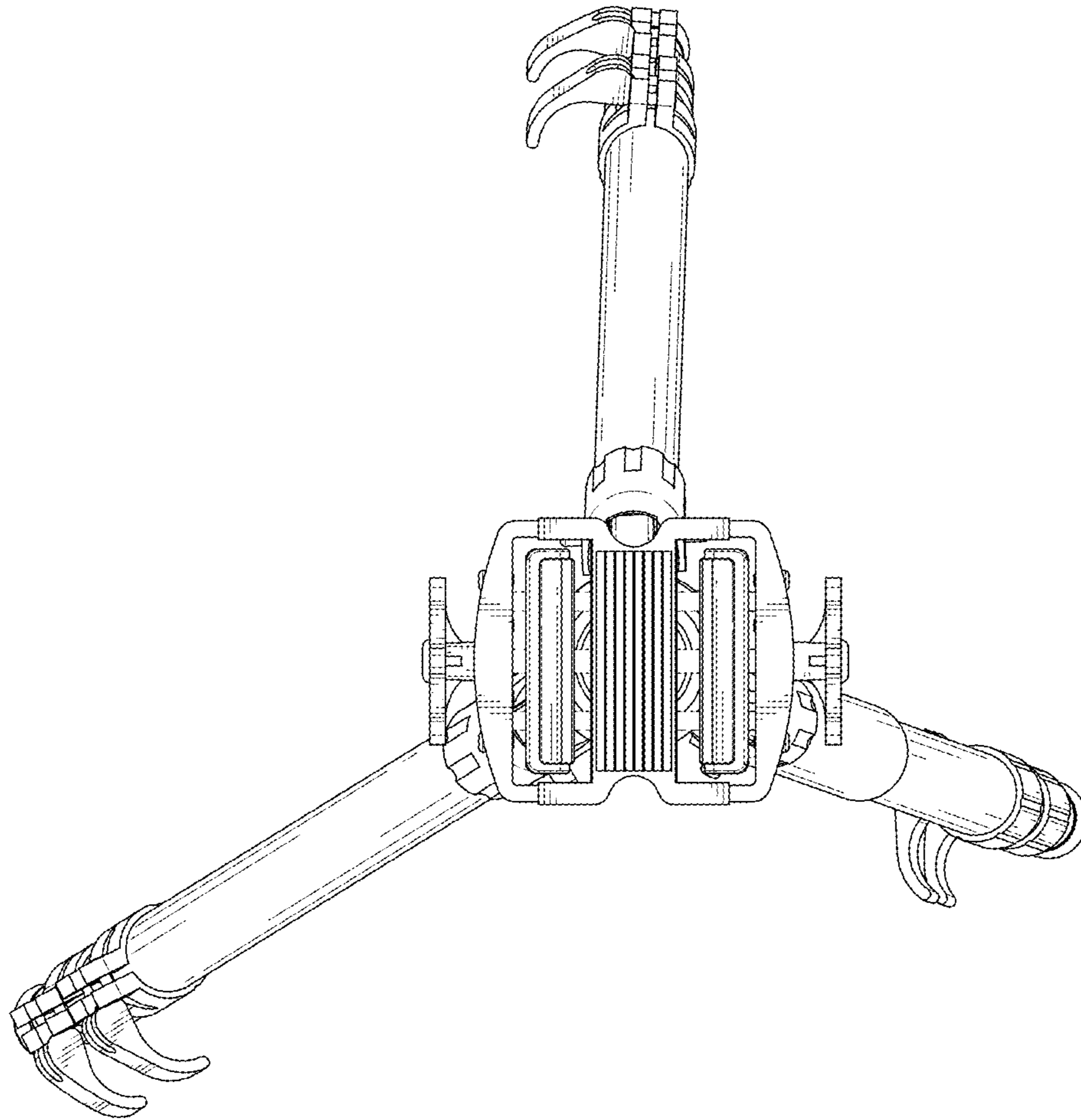


FIG. 7

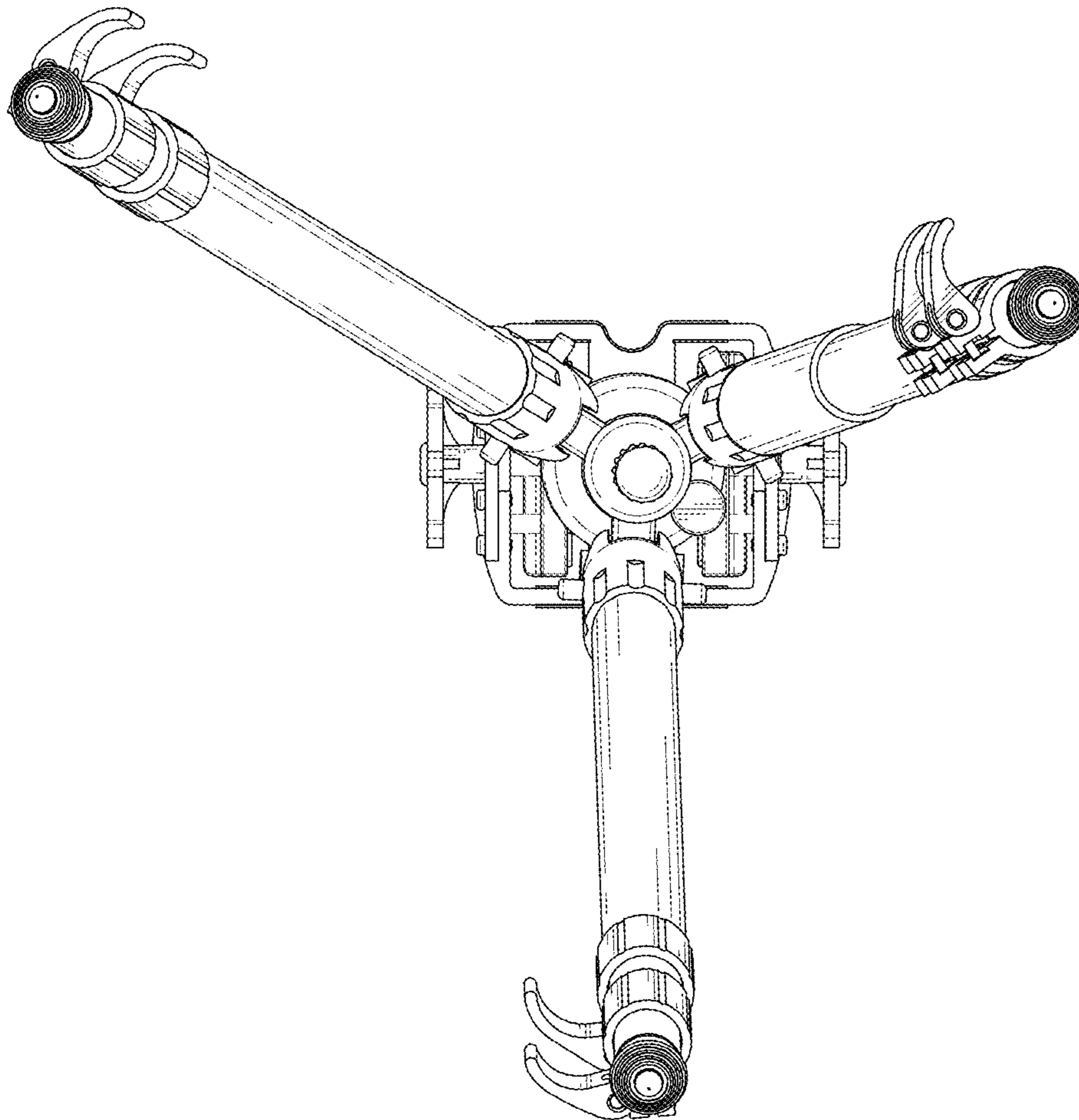


FIG. 8

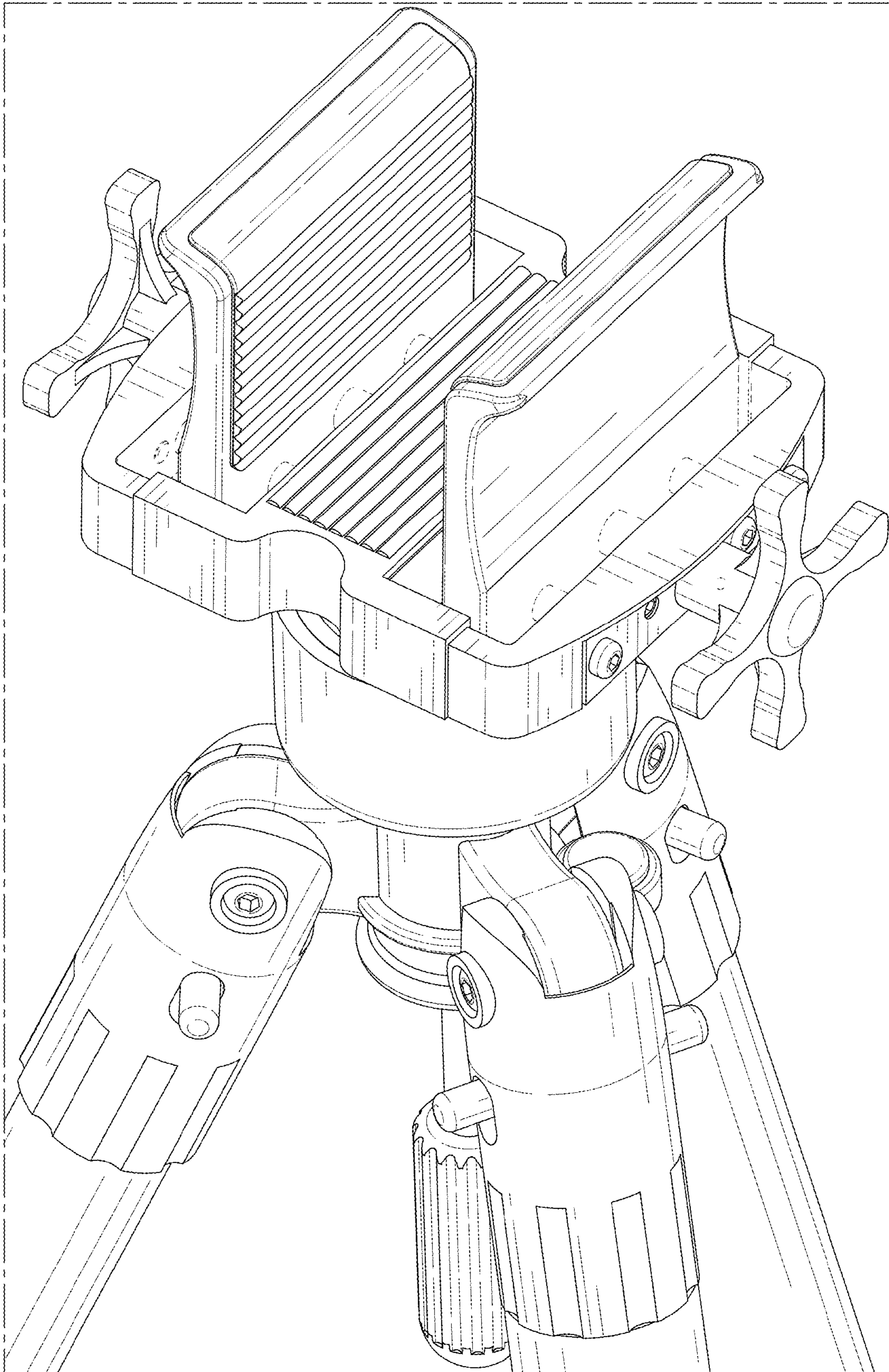


FIG. 9



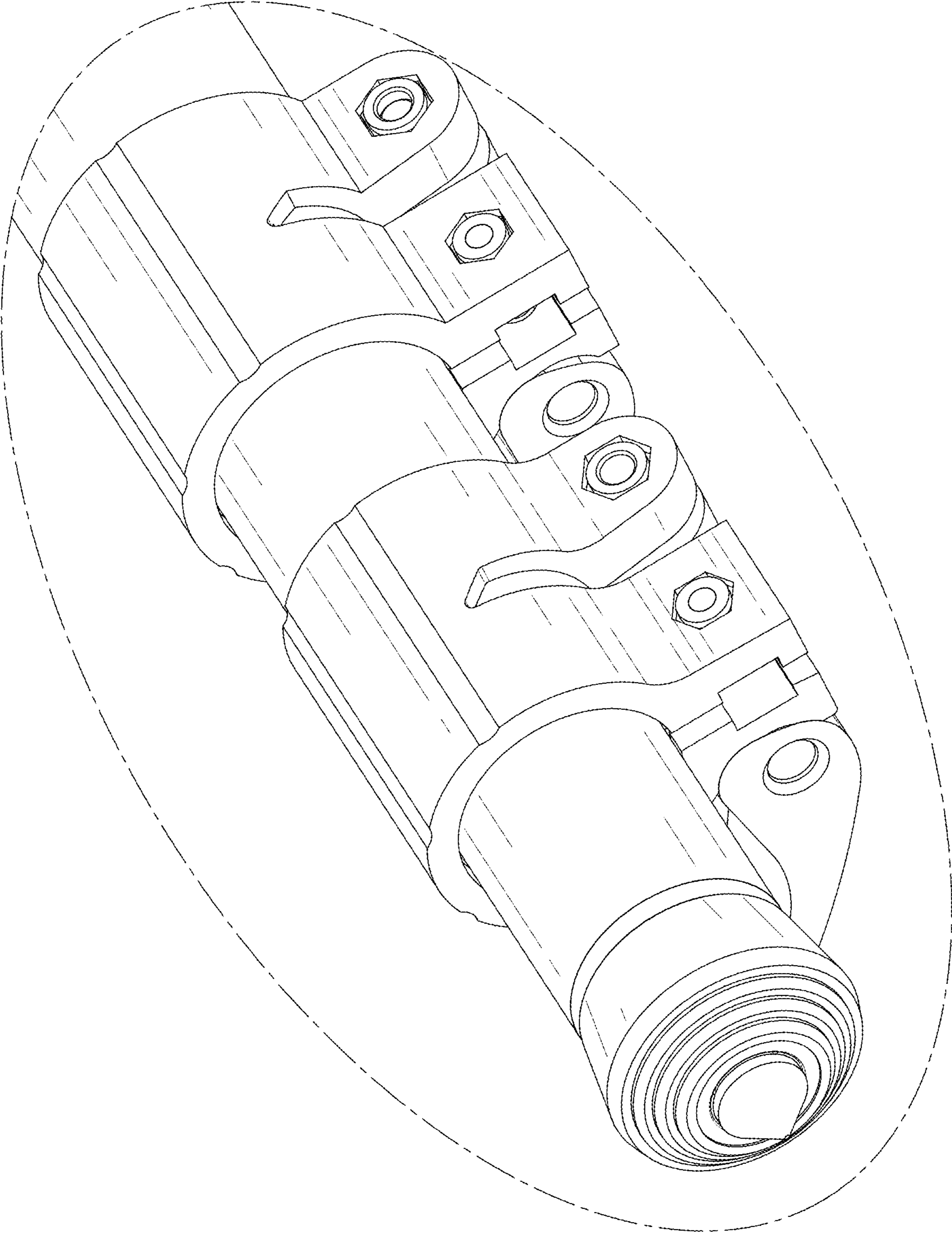


FIG. 10