



US00D947929S

(12) **United States Design Patent** (10) **Patent No.:** **US D947,929 S**  
**Ni** (45) **Date of Patent:** **\*\* Apr. 5, 2022**

(54) **COLLAPSIBLE CHROMA KEY PANEL** 7,636,194 B2 \* 12/2009 Miyagawa ..... G03B 21/58  
359/461  
(71) Applicant: **Shaoxing Shangyu Yixiang Digital** D637,853 S 5/2011 Ehram  
**Equipment Co., Ltd, Shaoxing (CN)** 8,031,400 B2 \* 10/2011 Wang ..... G03B 21/58  
359/461  
(72) Inventor: **Yuxia Ni, Shaoxing (CN)** D654,945 S \* 2/2012 Giammarinaro, Jr. .... D16/241  
D686,432 S 7/2013 Colledge  
D806,170 S \* 12/2017 Sim ..... D20/43  
D860,682 S 9/2019 Gaetano  
D875,815 S \* 2/2020 Fest ..... D16/241  
D876,121 S 2/2020 Sun  
(Continued)

(21) Appl. No.: **29/766,375**  
(22) Filed: **Jan. 14, 2021**  
(51) **LOC (13) Cl.** ..... **16-05**  
(52) **U.S. Cl.**  
USPC ..... **D16/241; D16/237**  
(58) **Field of Classification Search**  
USPC ..... D16/208–209, 219, 221, 225, 229,  
D16/237–250; D20/10, 39, 40, 42  
CPC ..... A45F 5/00; A45F 5/10; A45F  
2200/0508–0533; F16M 11/06–10; F16M  
11/14; G02B 7/00–002; G02B 25/00;  
G03B 17/56; G03B 17/561–566; G03B  
21/10–116; H04N 5/2253–2254  
See application file for complete search history.

(56) **References Cited**  
**U.S. PATENT DOCUMENTS**  
1,897,273 A \* 2/1933 Nagel ..... G03B 21/58  
160/24  
D323,338 S \* 1/1992 Court ..... D16/241  
6,191,886 B1 \* 2/2001 Sinkoff ..... G03B 21/58  
359/461  
6,297,905 B1 \* 10/2001 Takamoto ..... G03B 21/58  
359/461  
D520,046 S \* 5/2006 Miyagawa ..... D16/241  
7,203,000 B2 \* 4/2007 Kotera ..... F16M 11/26  
359/461  
D548,765 S \* 8/2007 Kotera ..... D16/241  
7,489,444 B1 \* 2/2009 Adams ..... G03B 21/60  
359/461  
7,623,290 B2 \* 11/2009 Liang ..... G03B 21/56  
359/461

**OTHER PUBLICATIONS**

Portable Retractable Live Green Screen Backdrop. [online] Retrieved Dec. 15, 2021 from URL: [https://www.alibaba.com/product-detail/1-5-2-m-portable-retractable\\_1600135586931.html](https://www.alibaba.com/product-detail/1-5-2-m-portable-retractable_1600135586931.html).  
(Continued)

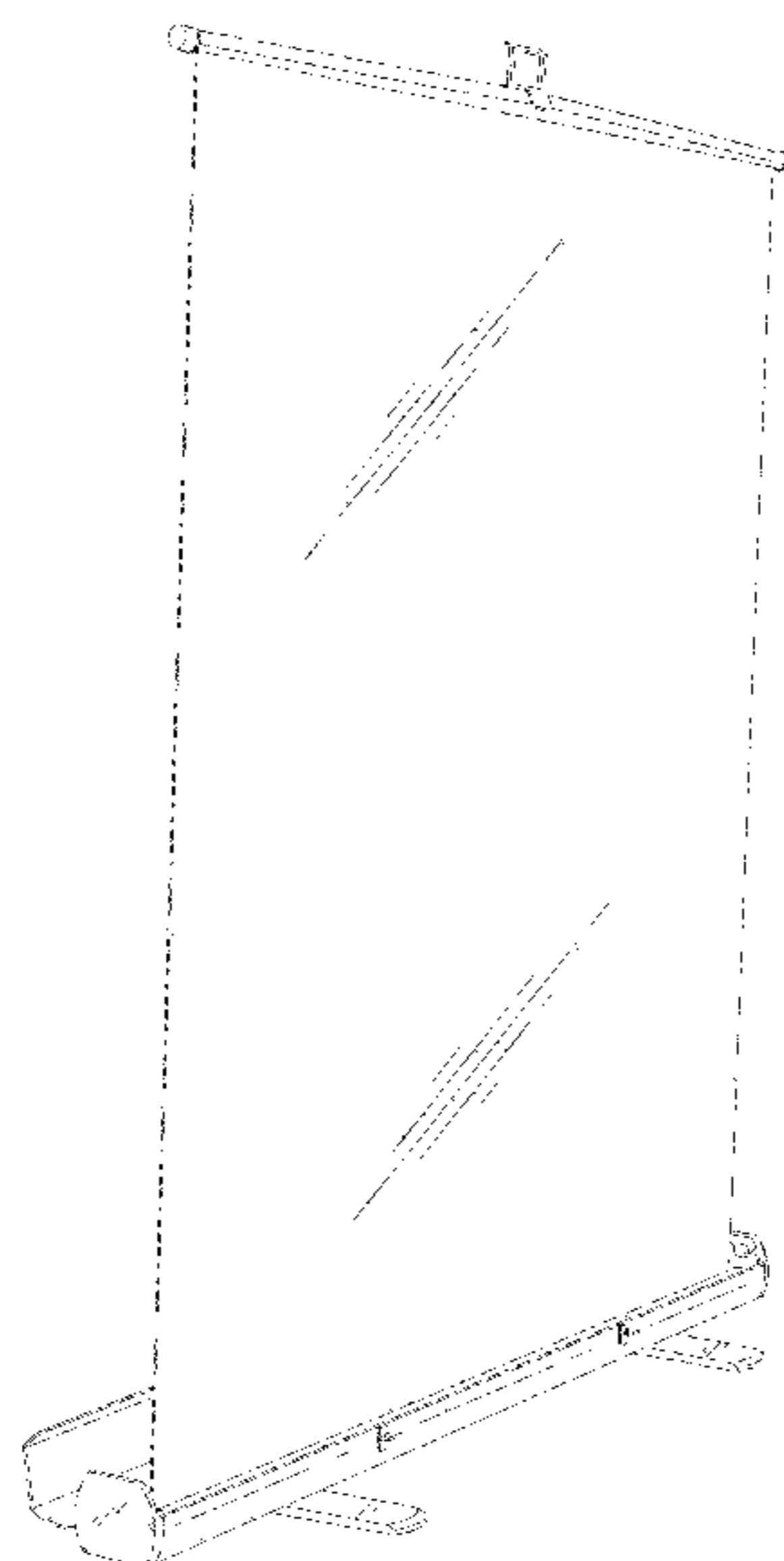
*Primary Examiner* — Vy N Koenig  
(74) *Attorney, Agent, or Firm* — Xiaofang Zhong; Law Office of Xiaofang Zhong, PLLC

(57) **CLAIM**  
The ornamental design for a collapsible chroma key panel, as shown and described.

**DESCRIPTION**

FIG. 1 is a perspective view of a collapsible chroma key panel showing my new design;  
FIG. 2 is a front elevational view thereof;  
FIG. 3 is a back elevational view thereof;  
FIG. 4 is a right-side elevational view thereof;  
FIG. 5 is a left-side elevational view thereof;  
FIG. 6 is a top plan view thereof; and,  
FIG. 7 is a bottom plan view thereof.  
The broken lines in the drawings depict part of the collapsible chroma key panel that form no part of the claimed design.

**1 Claim, 5 Drawing Sheets**



(56)

**References Cited**

U.S. PATENT DOCUMENTS

D903,372	S	12/2020	Stanley	
D939,616	S *	12/2021	Zhu .....	D16/241
2007/0121088	A1 *	5/2007	Liang .....	G03B 21/58
				353/119
2007/0121209	A1 *	5/2007	Liang .....	G03B 21/58
				359/461
2008/0166111	A1	7/2008	Didow et al.	
2020/0159288	A1 *	5/2020	Song .....	G09F 9/301

OTHER PUBLICATIONS

InstaHibit Green Screen Chromakey Backdrop Collapsible Floorstand. [online] Published on Aug. 3, 2020. Retrieved Dec. 15, 2021 from URL: <https://thedisplayoutlet.com/products/aluminum-fixed-frame-projector-screen-wall-mounted-84-16-9>.\*

Collapsible Chroma Key Green Screen Retractable Panel. [online] Published on May 30, 2020. Retrieved Dec. 15, 2021 from URL: <https://www.backdropsource.com/products/green-screen-collapsible-and-retractable-chromakey-panel>.\*

29766375\_OrbitForeignRefs. 27 pages. Design © Questel orbit.com. [Online PDF compilation of references] Retrieved from URL: <https://www.orbit.com/export/QPTUJ190/pdf2/7cebf43f-d08c-493b-b32e-1bc5cc280dc0-204543.pdf>.\*

6.2x5 ft Collapsible Green Screen Backdrop, [online] Retrieved Dec. 15, 2021 from URL: <https://www.u-buy.jp/en/product/6W8X5U6M>.\*

\* cited by examiner

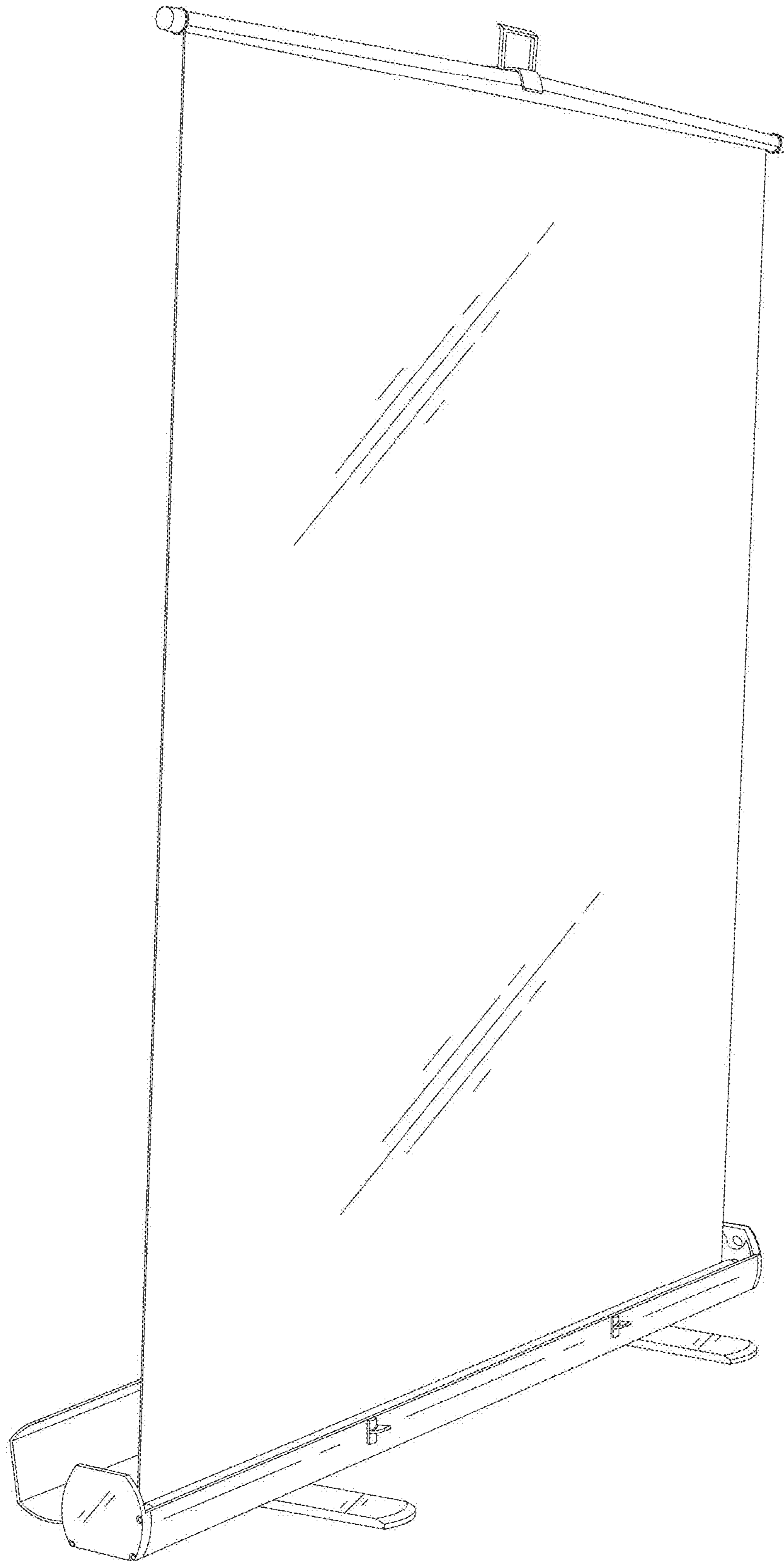


FIG. 1

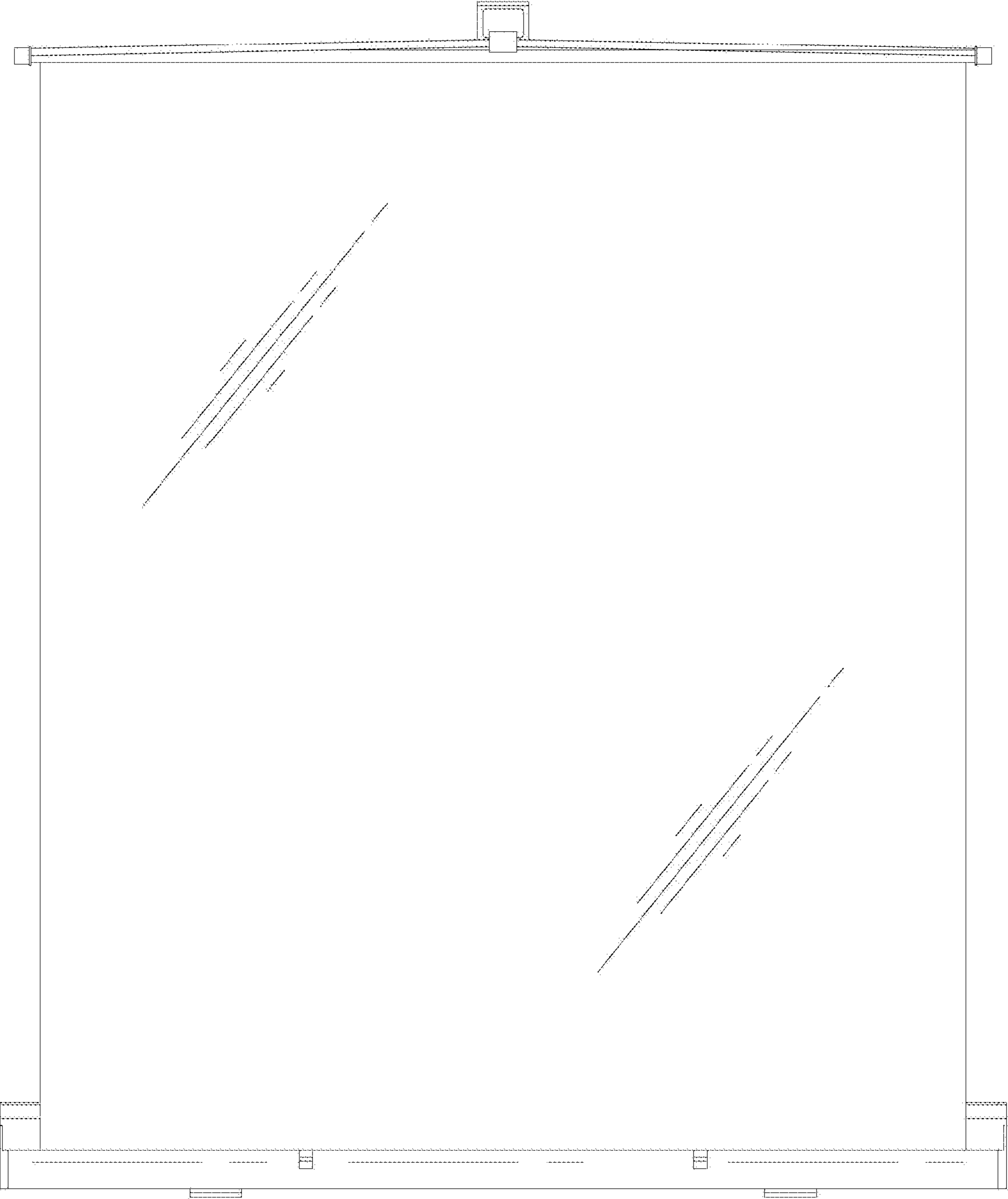


FIG. 2

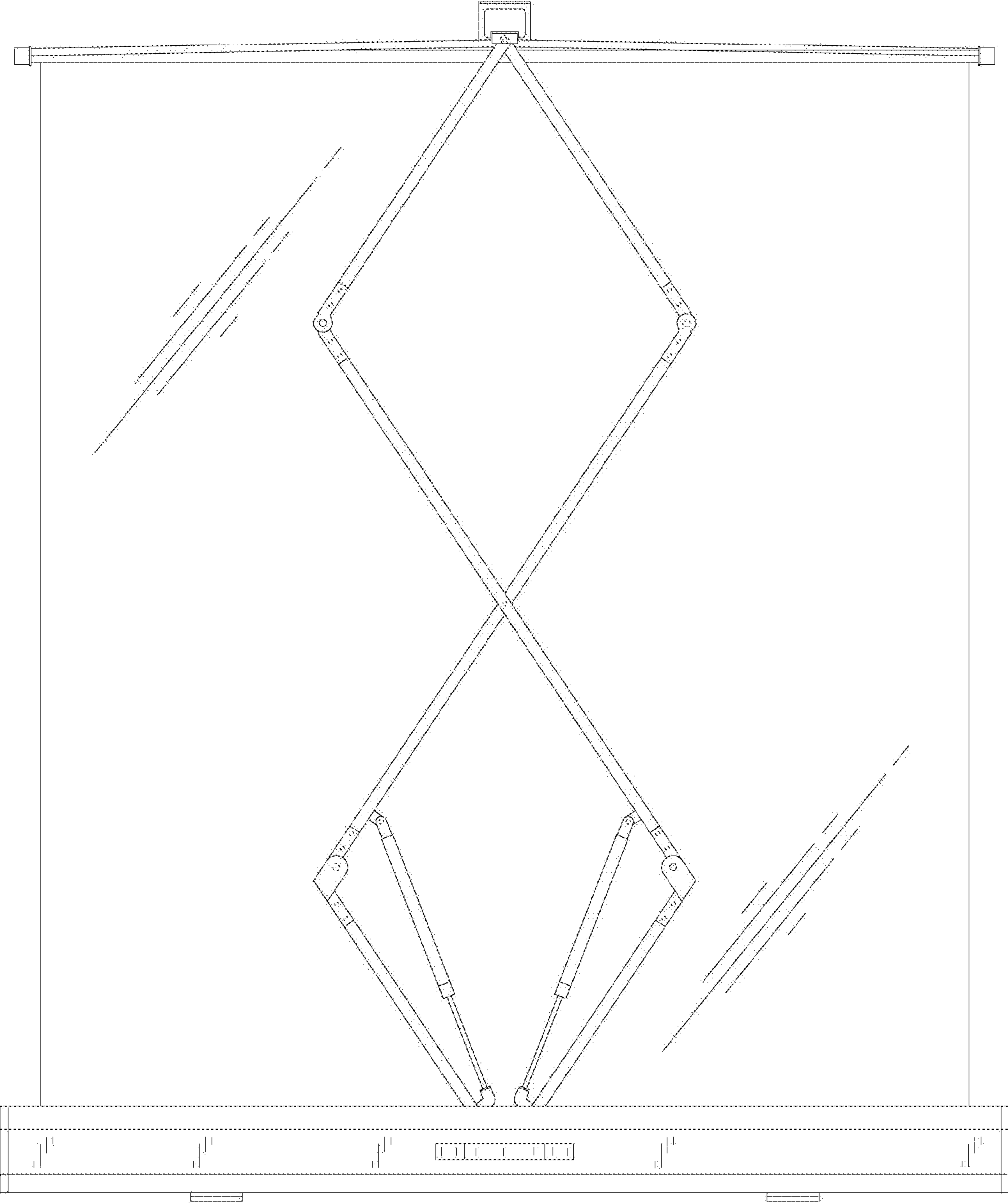


FIG. 3

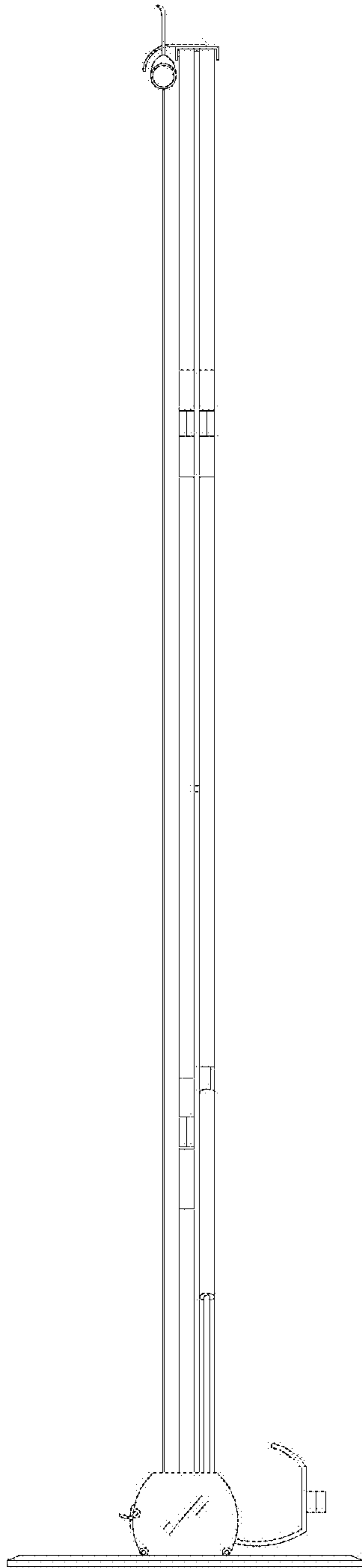


FIG. 4

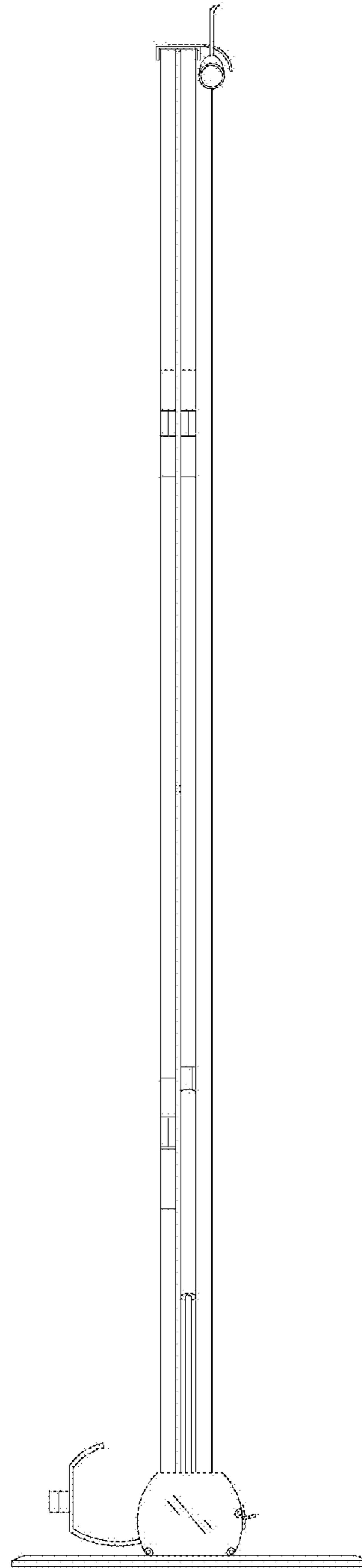


FIG. 5

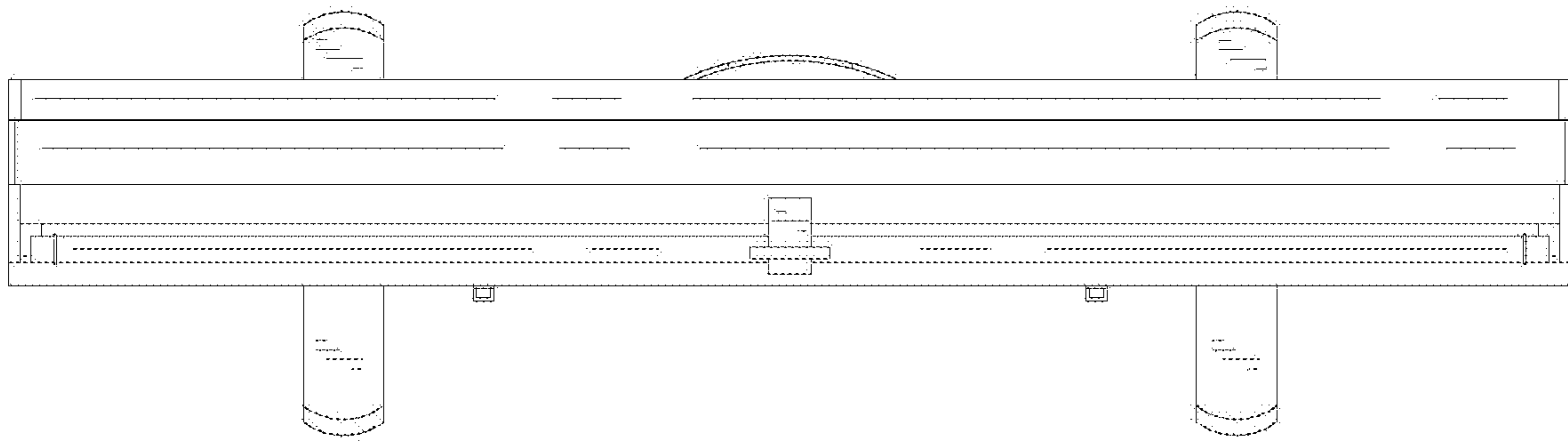


FIG. 6

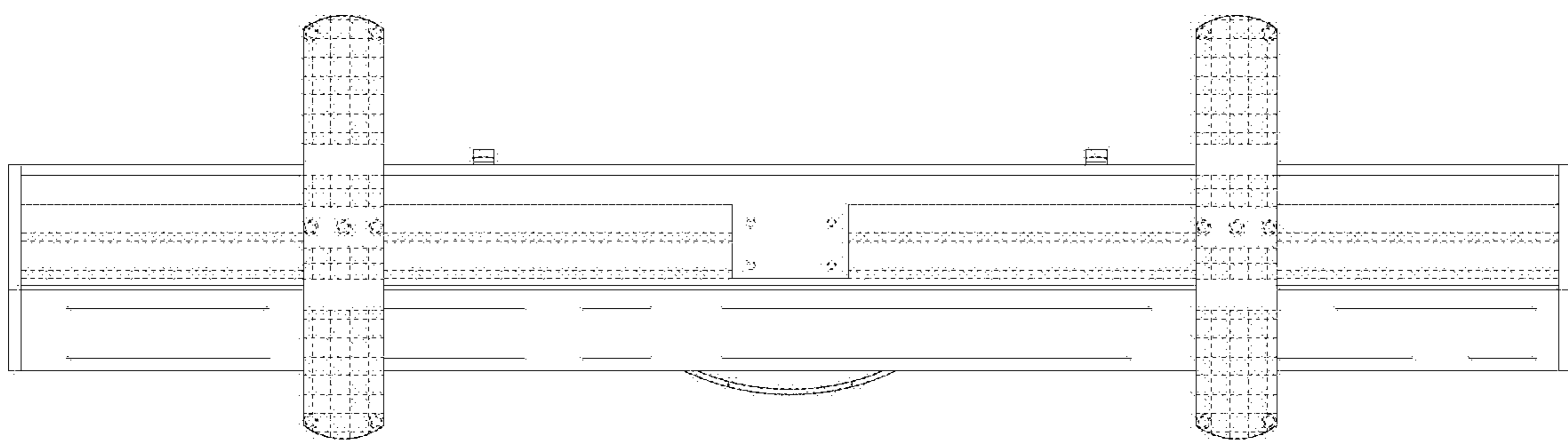


FIG. 7