



US00D947928S

(12) **United States Design Patent**
Zeng

(10) **Patent No.:** **US D947,928 S**
(45) **Date of Patent:** **** Apr. 5, 2022**

(54) **PHOTO STUDIO BOX**
(71) Applicant: **SHENZHEN NEEWER TECHNOLOGY CO. LTD**, Shenzhen (CN)
(72) Inventor: **Fanzun Zeng**, Zhongshan (CN)
(73) Assignee: **SHENZHEN NEEWER TECHNOLOGY CO. LTD**, Shenzhen (CN)

D692,011 S * 10/2013 Wu D14/447
D701,455 S 3/2014 Shepherd et al.
D702,565 S 4/2014 Gale
D704,244 S 5/2014 Ham
D775,523 S 1/2017 Platt
D842,920 S 3/2019 Yu et al.
D888,549 S * 6/2020 Hietanen D9/432
D890,720 S * 7/2020 Le D14/215

(Continued)

(**) Term: **15 Years**
(21) Appl. No.: **29/773,949**
(22) Filed: **Mar. 12, 2021**

(30) **Foreign Application Priority Data**

Sep. 18, 2020 (CN) 202030558849.7

(51) **LOC (13) Cl.** **16-05**
(52) **U.S. Cl.**

USPC **D16/237**

(58) **Field of Classification Search**

USPC D16/208–209, 219, 237–250; D14/224, D14/229, 238, 251, 253, 447, 451, 457
CPC .. F16M 11/14; G02B 7/00–002; G03B 17/56; G03B 17/561–566; H04N 5/2253–2254; A45F 5/00; A45F 2200/0508–0533

See application file for complete search history.

(56) **References Cited**

U.S. PATENT DOCUMENTS

4,122,470 A * 10/1978 Loranger G03B 11/00 396/337
D264,346 S * 5/1982 Gunn D16/237
D349,913 S 8/1994 Morris
D446,717 S 8/2001 Lancaster et al.
D530,196 S 10/2006 Wijerama

OTHER PUBLICATIONS

FotodioX LED Studio-In-a-Box (24x24"). [online] Earliest review date Aug. 16, 2016. Retrieved from URL: https://www.bhphotovideo.com/c/product/1265080-REG/fotodiox_studio_box_led660_24x24_led_studio_in_a_box_24_x.html (Year: 2016).*

(Continued)

Primary Examiner — Vy N Koenig

(74) *Attorney, Agent, or Firm* — Westbridge IP LLC

(57) **CLAIM**

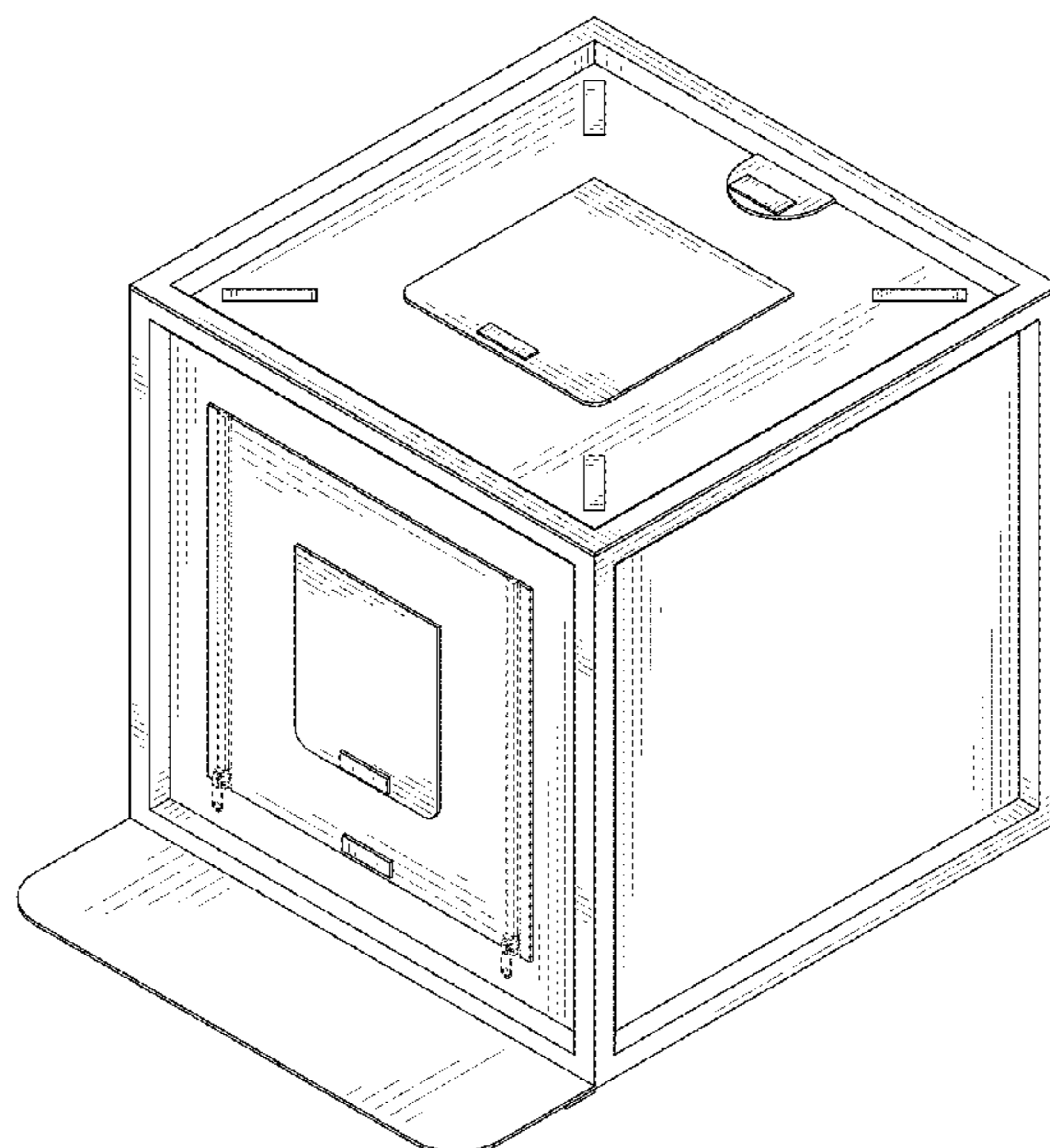
The ornamental design for a photo studio box, as shown and described.

DESCRIPTION

FIG. 1 is a front perspective view of a photo studio box showing my new design;
FIG. 2 is a rear perspective view thereof;
FIG. 3 is a front elevational view thereof;
FIG. 4 is a rear elevational view thereof;
FIG. 5 is a left side elevational view thereof;
FIG. 6 is a right side elevational view thereof;
FIG. 7 is a top plan view thereof;
FIG. 8 is a bottom plan view thereof; and,
FIG. 9 is a perspective view of the photo studio box in an open state.

The broken lines in the drawings illustrate the portions of the photo studio box which form no part of the claimed design.

1 Claim, 9 Drawing Sheets



(56)

References Cited

U.S. PATENT DOCUMENTS

D939,013 S * 12/2021 Wang D16/237

OTHER PUBLICATIONS

Smith-Victor 17" LED Desktop Studio. [online] Earliest review date Jun. 13, 2020. Retrieved from URL: https://www.bhphotovideo.com/c/product/1548214-REG/smith_victor_402085_17_led_light_tent.html/reviews?ap=y&ap=y&smp=y&smp=y&lsft=BI%3A514&gclid=

EAlalQobChMliLj70leZ9glVBb3lCh13AgNIEAkYCyABEgJGjvD_BwE (Year: 2020).*

PULUZ 60x60 Photo Studio Light Box Photography Studio Shooting Light Tent Box . . . [online] Retrieved Feb. 24, 2022 from URL: https://www.alibaba.com/product-detail/PULUZ-60x60-Photo-Studio-Light-Box_1600269722922.html?spm=a2700.pc_countrysearch.main07.274.4a5877163CCPXC (Year: 2022).*

* cited by examiner

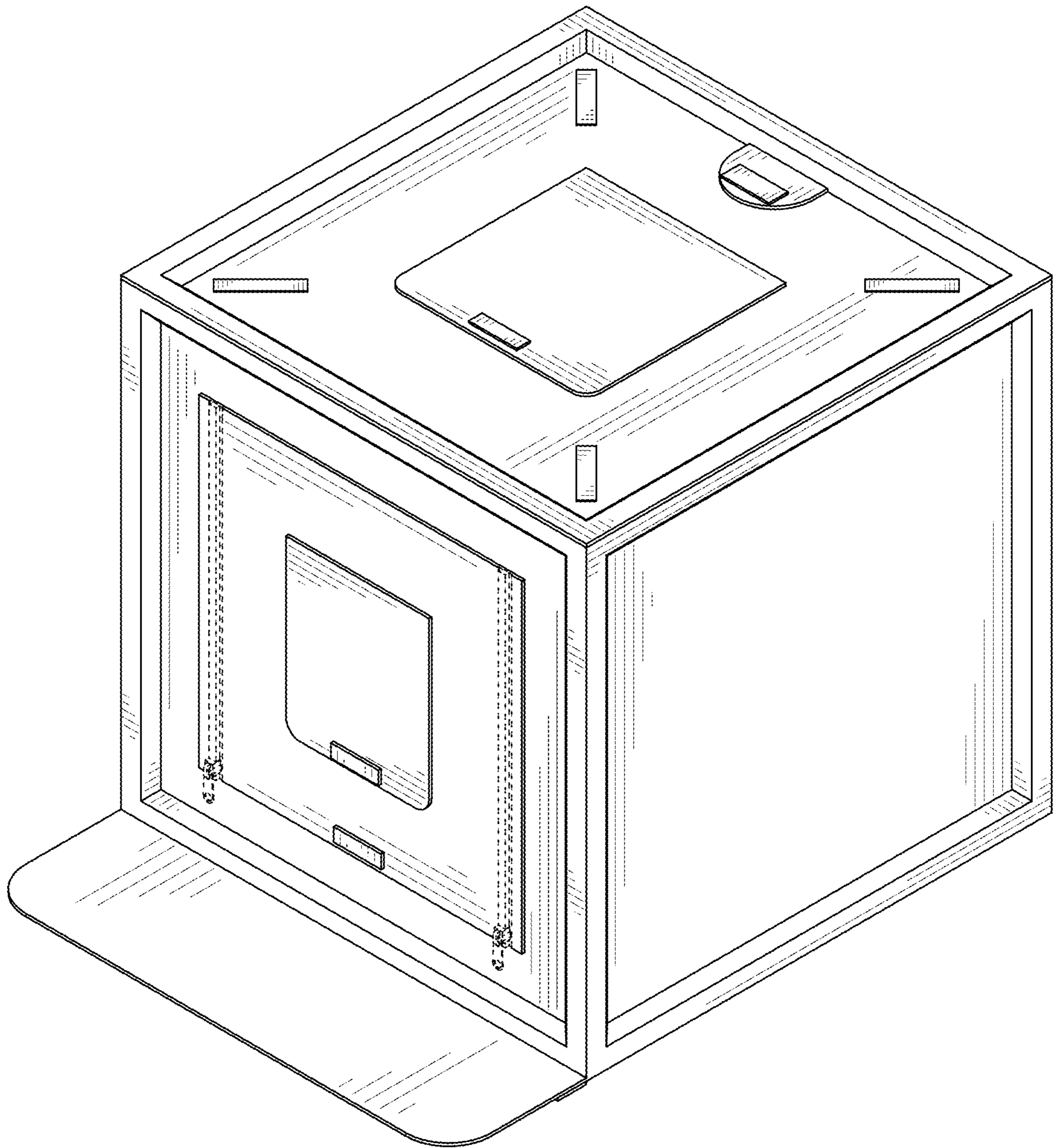


FIG. 1

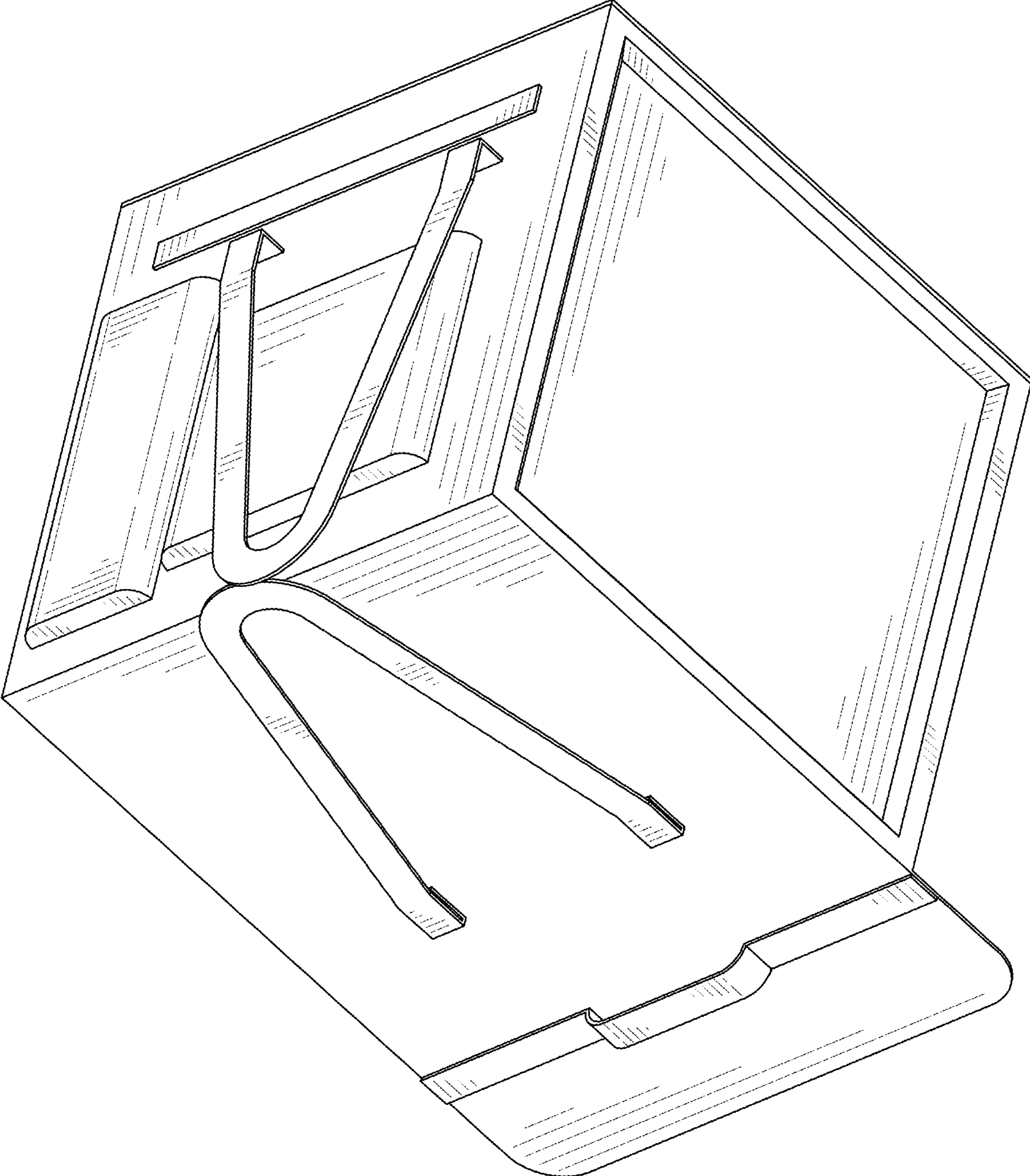


FIG. 2

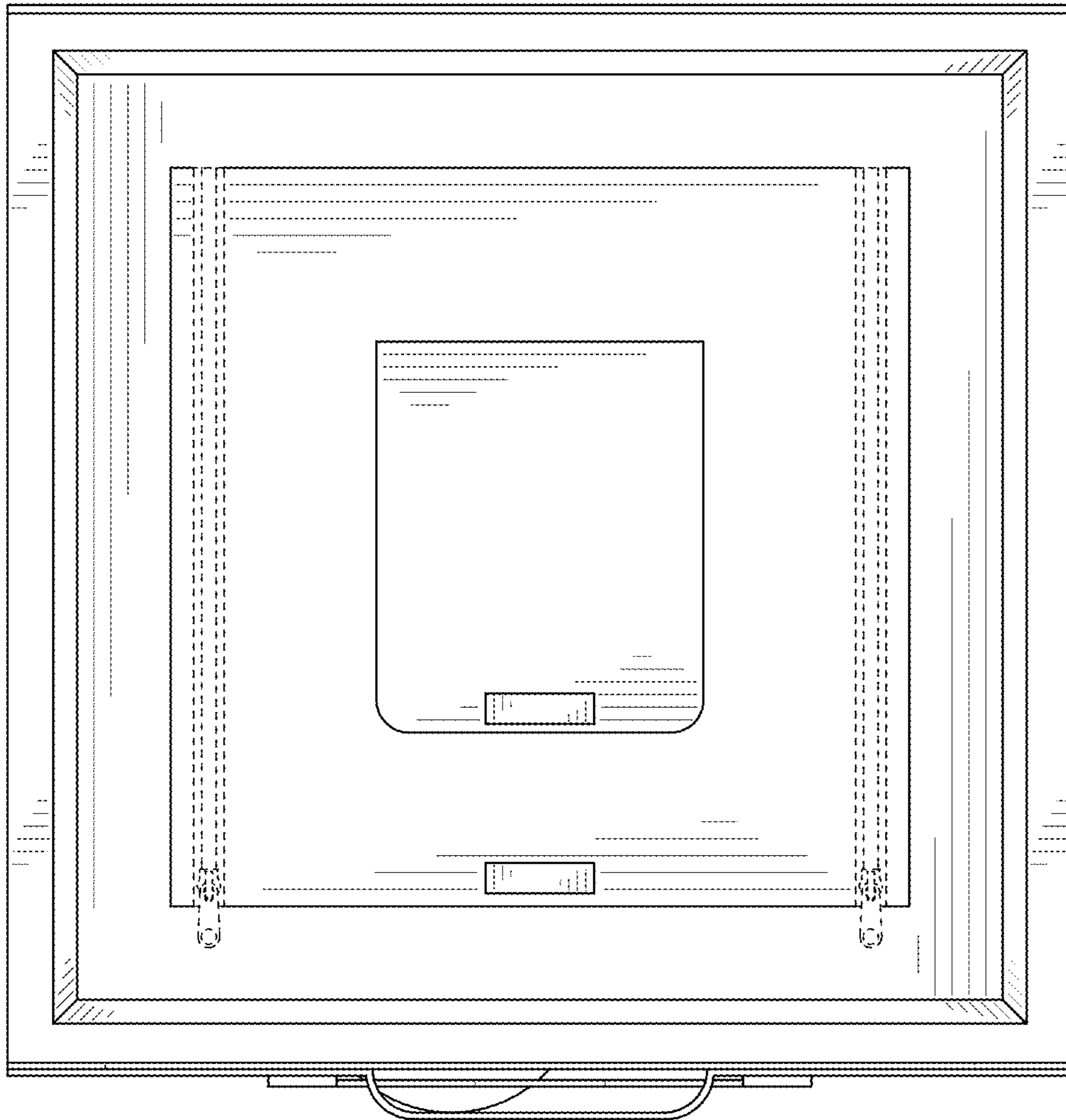


FIG. 3

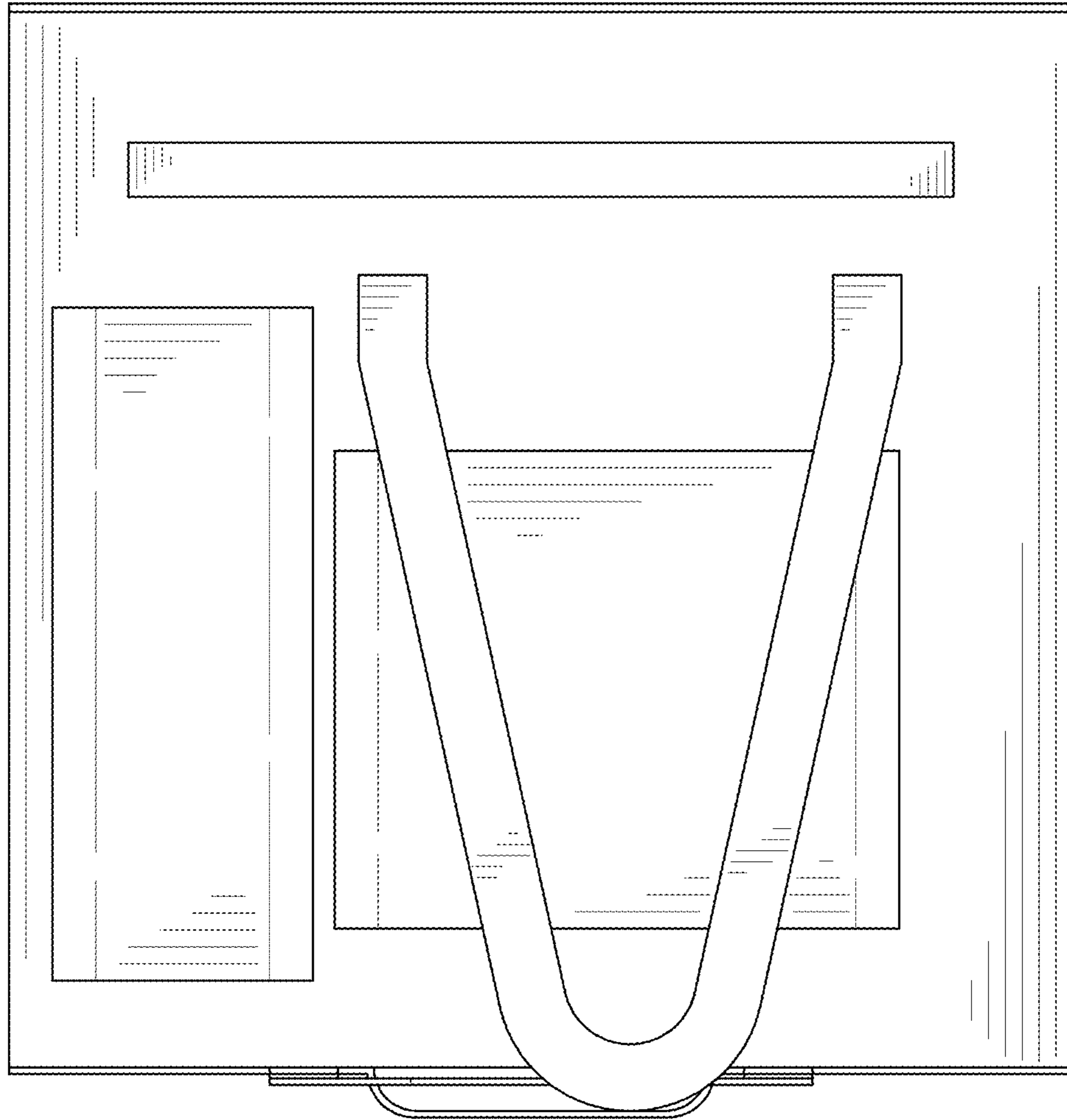


FIG. 4

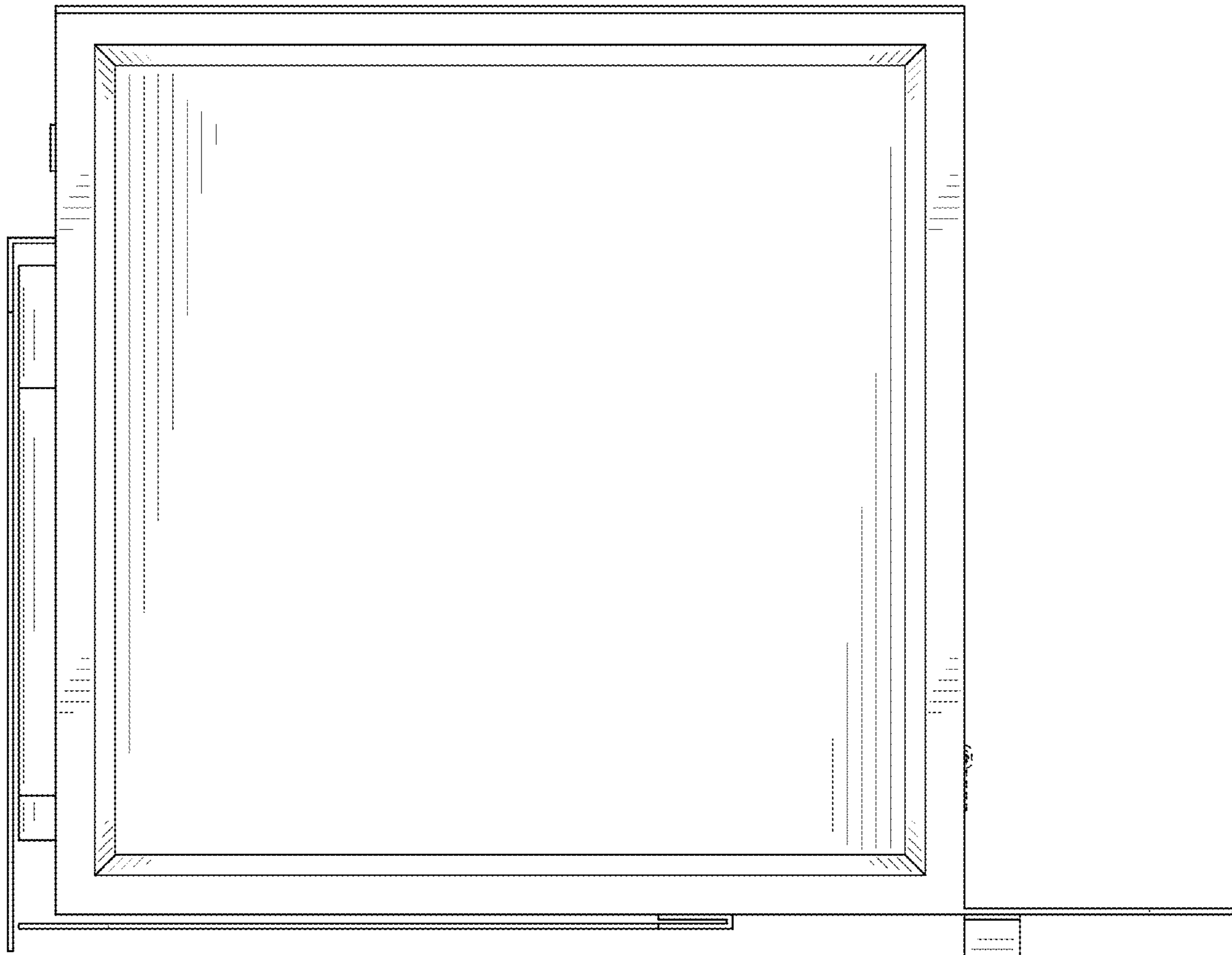


FIG. 5

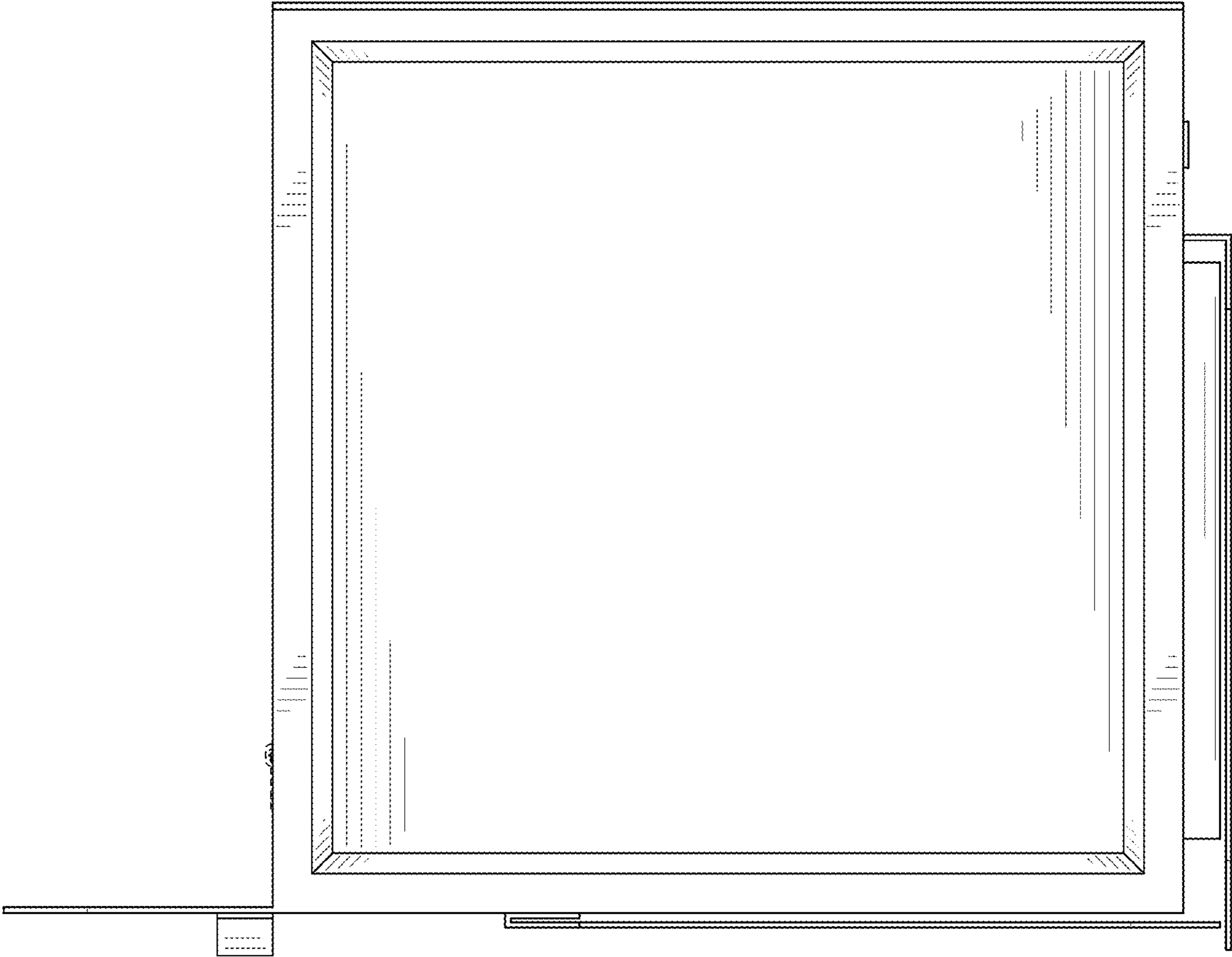


FIG. 6

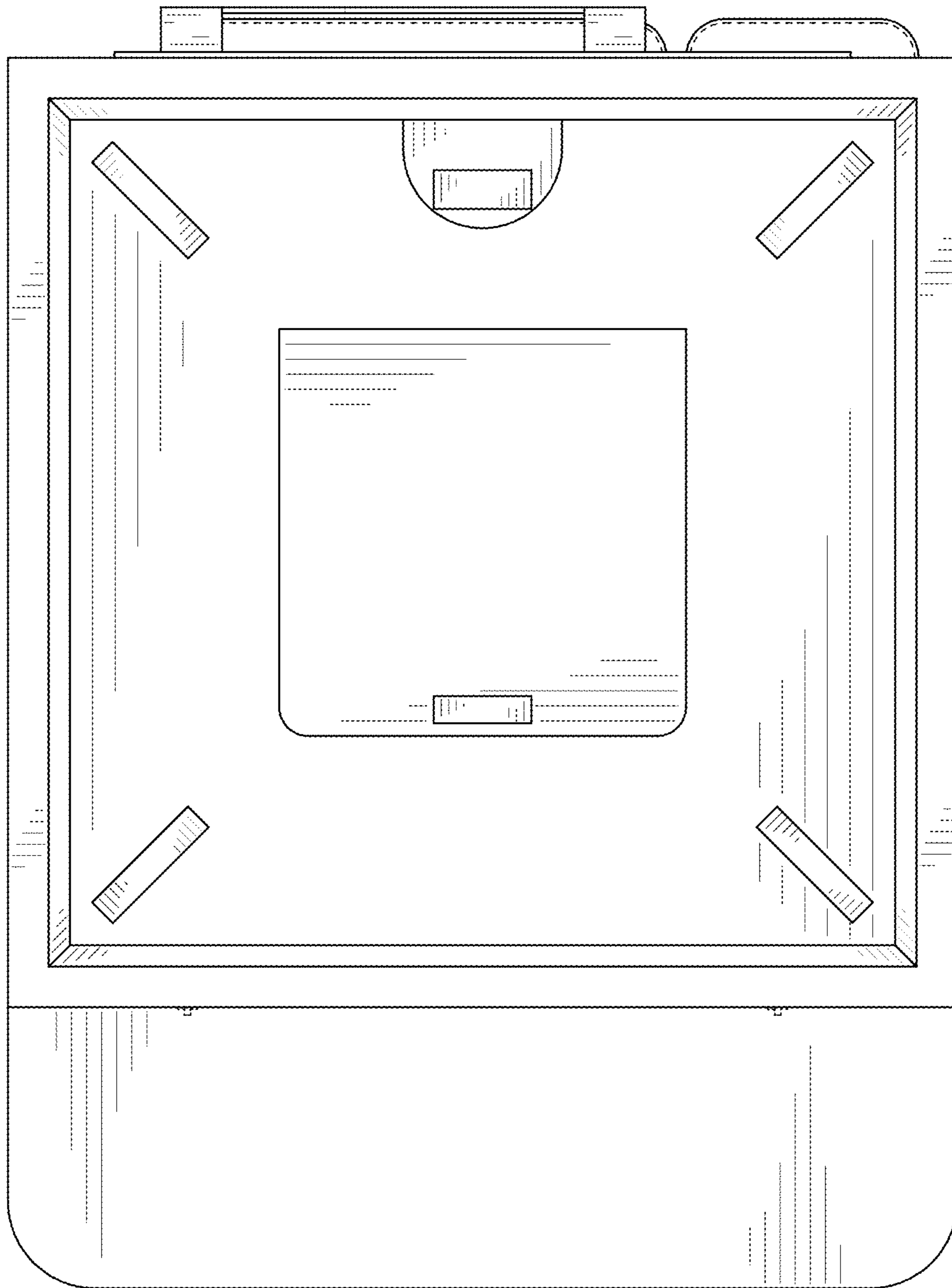


FIG. 7

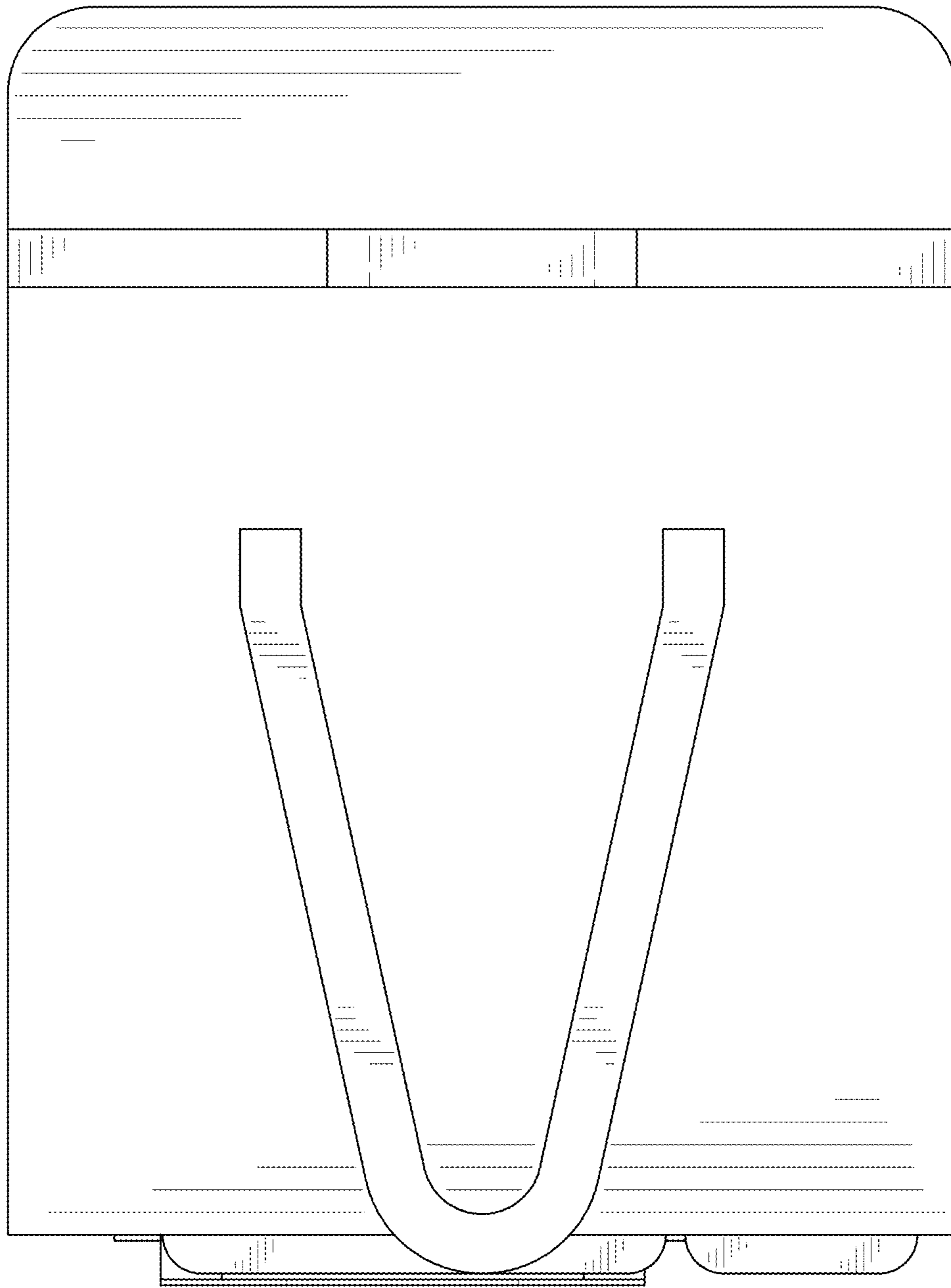


FIG. 8

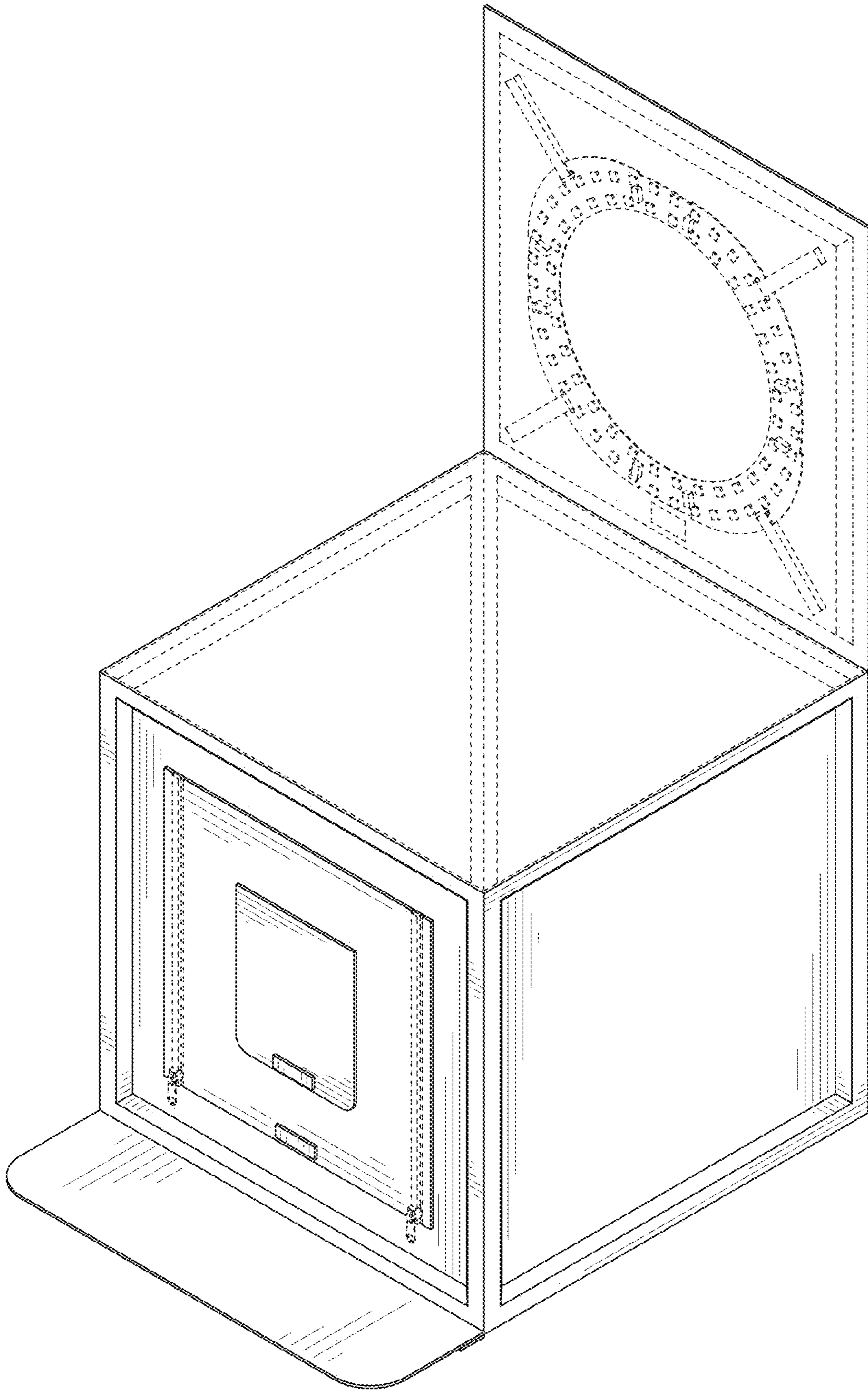


FIG. 9