



US00D947927S

(12) **United States Design Patent**
Tian

(10) **Patent No.:** **US D947,927 S**

(45) **Date of Patent:** **** Apr. 5, 2022**

(54) **SOFTBOX WITH TRIPOD**

(71) Applicant: **SHAOXING SHANGYU SHENGHUI PHOTOGRAPHIC EQUIPMENT CO., LTD.**, Shaoxing (CN)

(72) Inventor: **Gaosheng Tian**, Shaoxing (CN)

(73) Assignee: **SHAOXING SHANGYU SHENGHUI PHOTOGRAPHIC EQUIPMENT CO., LTD.**, Shaoxing (CN)

(**) Term: **15 Years**

(21) Appl. No.: **29/765,422**

(22) Filed: **Jan. 8, 2021**

(51) **LOC (13) Cl.** **16-05**

(52) **U.S. Cl.**
USPC **D16/237; D16/244; D26/63**

(58) **Field of Classification Search**
USPC **D16/208-209, 219, 237-250; D8/354, D8/355, 363, 373, 382-383, 394-396;**
(Continued)

(56) **References Cited**

U.S. PATENT DOCUMENTS

4,446,506 A * 5/1984 Larson G03B 15/02
362/450
4,757,425 A * 7/1988 Waltz G03B 15/06
362/450

(Continued)

OTHER PUBLICATIONS

Photo Studio Softbox with Single Lamp*2 All Kinds of Photo Studio 50*70cm Softbox and 67-206cm Light Stand Shenghui

CN;Zhe Balck. [online] Retrieved Feb. 24, 2022 from URL: https://www.alibaba.com/product-detail/Photo-Studio-Softbox-with-Single-Lamp_60496529186.html?spm=a2700.details.0.0.7d327e76sWPvij (Year: 2022).*

(Continued)

Primary Examiner — Vy N Koenig

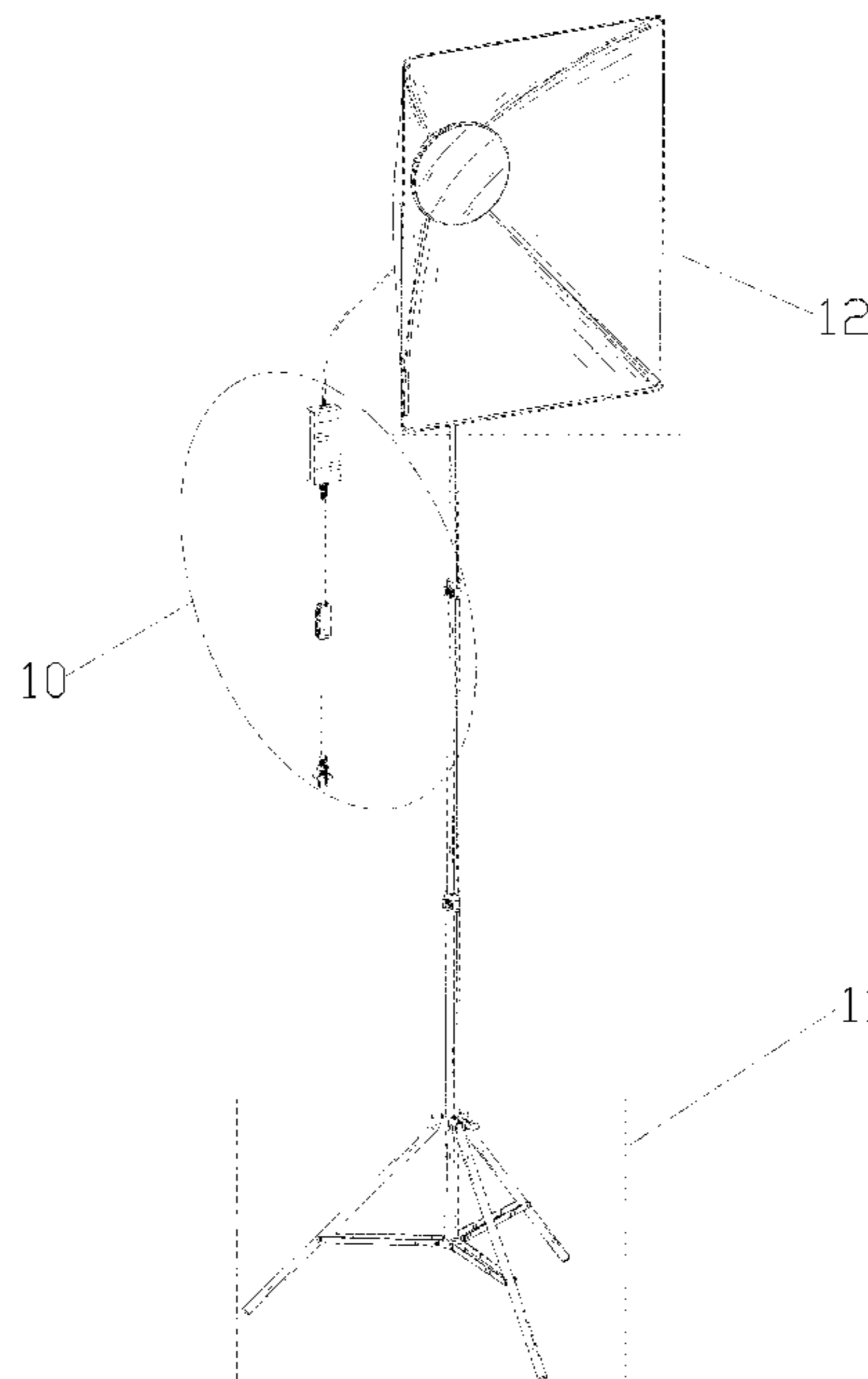
(57) **CLAIM**

The ornamental design for a softbox with tripod, as shown and described.

DESCRIPTION

FIG. 1 is a perspective view of a softbox with tripod showing my new design;
FIG. 2 is another perspective view thereof;
FIG. 3 is a front elevational view thereof;
FIG. 4 is a rear elevational view thereof;
FIG. 5 is a left side elevational view thereof;
FIG. 6 is a right side elevational view thereof;
FIG. 7 is a top plan view thereof;
FIG. 8 is a bottom plan view thereof;
FIG. 9 is a perspective view of the softbox with tripod where the softbox with tripod is in a configuration of use.
FIG. 10 is an enlarged view of portion 10 shown in FIG. 1;
FIG. 11 is an enlarged view of portion 11 shown in FIG. 1;
FIG. 12 is an enlarged view of portion 12 shown in FIG. 1;
FIG. 13 is an enlarged view of portion 13 shown in FIG. 2;
FIG. 14 is an enlarged view of portion 14 shown in FIG. 2;
FIG. 15 is an enlarged view of portion 15 shown in FIG. 4;
FIG. 16 is an enlarged top plan view of the softbox with tripod; and,
FIG. 17 is an enlarged bottom plan view of the softbox with tripod.
The broken lines in the drawings depict portions of the softbox with tripod that form no part of the claimed design.

1 Claim, 17 Drawing Sheets



(58) **Field of Classification Search**

USPC D14/224, 229, 238, 251, 253, 447, 451,
D14/457; D26/63, 118
CPC .. F16M 11/14; G02B 7/00-002; G03B 17/56;
G03B 17/561-566; H04N 5/2253-2254;
A45F 5/00; A45F 2200/0508-0533

See application file for complete search history.

2006/0203491 A1* 9/2006 Waltz F21V 21/14
362/269
2010/0124068 A1* 5/2010 Karle G03B 15/02
29/592
2019/0182418 A1* 6/2019 Lai H04N 5/23206

OTHER PUBLICATIONS

(56) **References Cited**

U.S. PATENT DOCUMENTS

4,807,089 A * 2/1989 Nussli G03B 15/06
362/17
D342,273 S * 12/1993 Couch D16/237
D373,132 S * 8/1996 Baillie-Hamilton D16/237
D641,100 S * 7/2011 Li D26/118
D792,635 S * 7/2017 Reynolds D26/118
10,216,066 B2 * 2/2019 Pilby G03B 15/06
D881,980 S 4/2020 Zhu
2006/0007666 A1* 1/2006 Cook G03B 15/02
362/16

Neewer Photography Bi-color Dimmable LED Softbox Lighting Kit . . . [online] Retrieved Feb. 24, 2022 from URL: <https://www.walmart.com/ip/Neewer-Photography-Bi-color-Dimmable-LED-Softbox-Lighting-Kit-20x27-inches-Studio-Softbox-45W-Light-Head-2-Color-Temperature-Stand-Photo-Portrait-Vid/785259812> (Year: 2022).*

Andoer Studio Photography 2.4G RGB LED Light Softbox Kit . . . [online] Retrieved Feb. 24, 2022 from URL: <https://www.walmart.com/ip/Andoer-Studio-Photography-2-4G-RGB-LED-Light-Softbox-Kit-45W-Dimmable-1-50-70cm-2M-Stand-Remote-Control-Power-Adapter/312114757> (Year: 2022).*

* cited by examiner

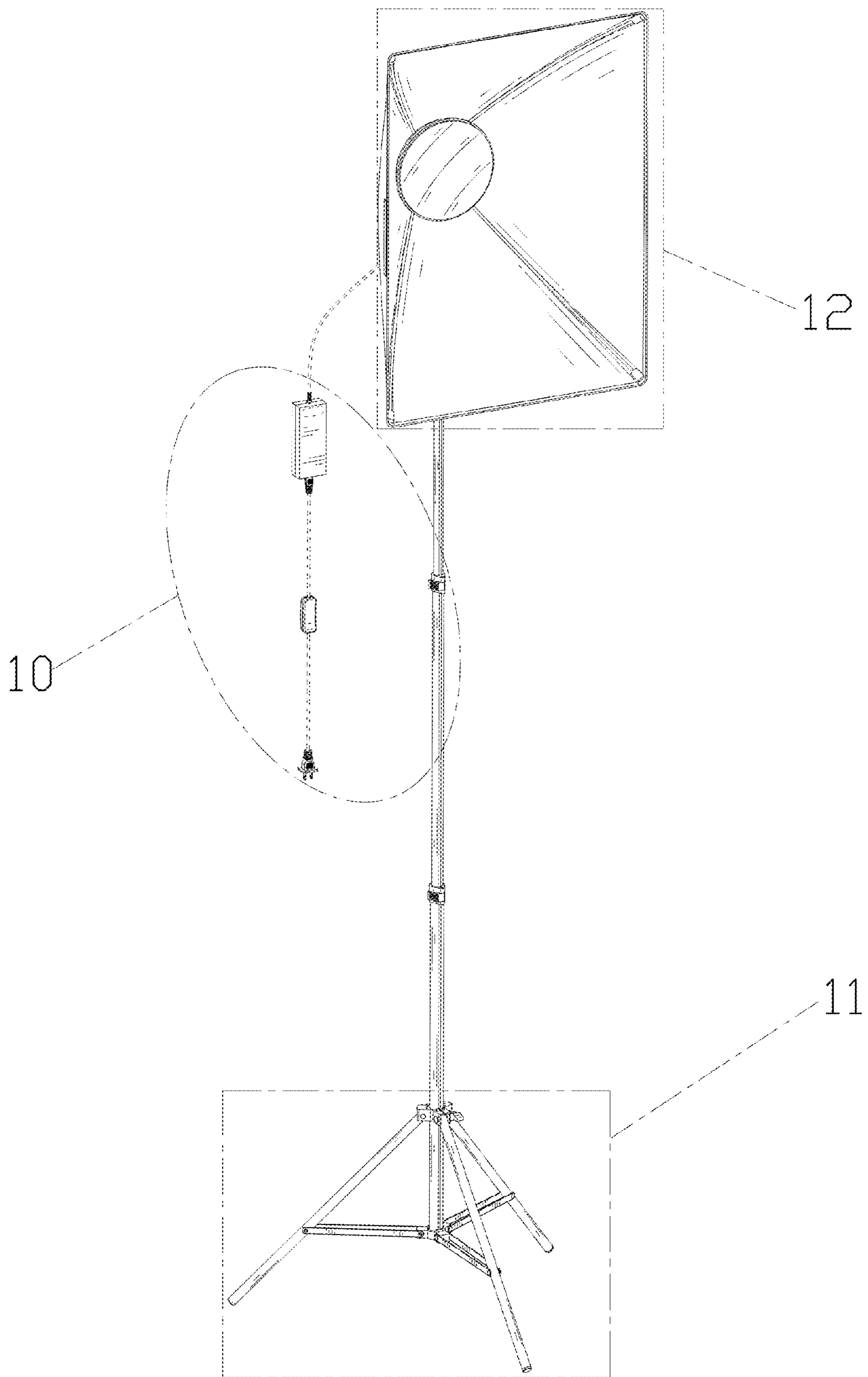


FIG. 1

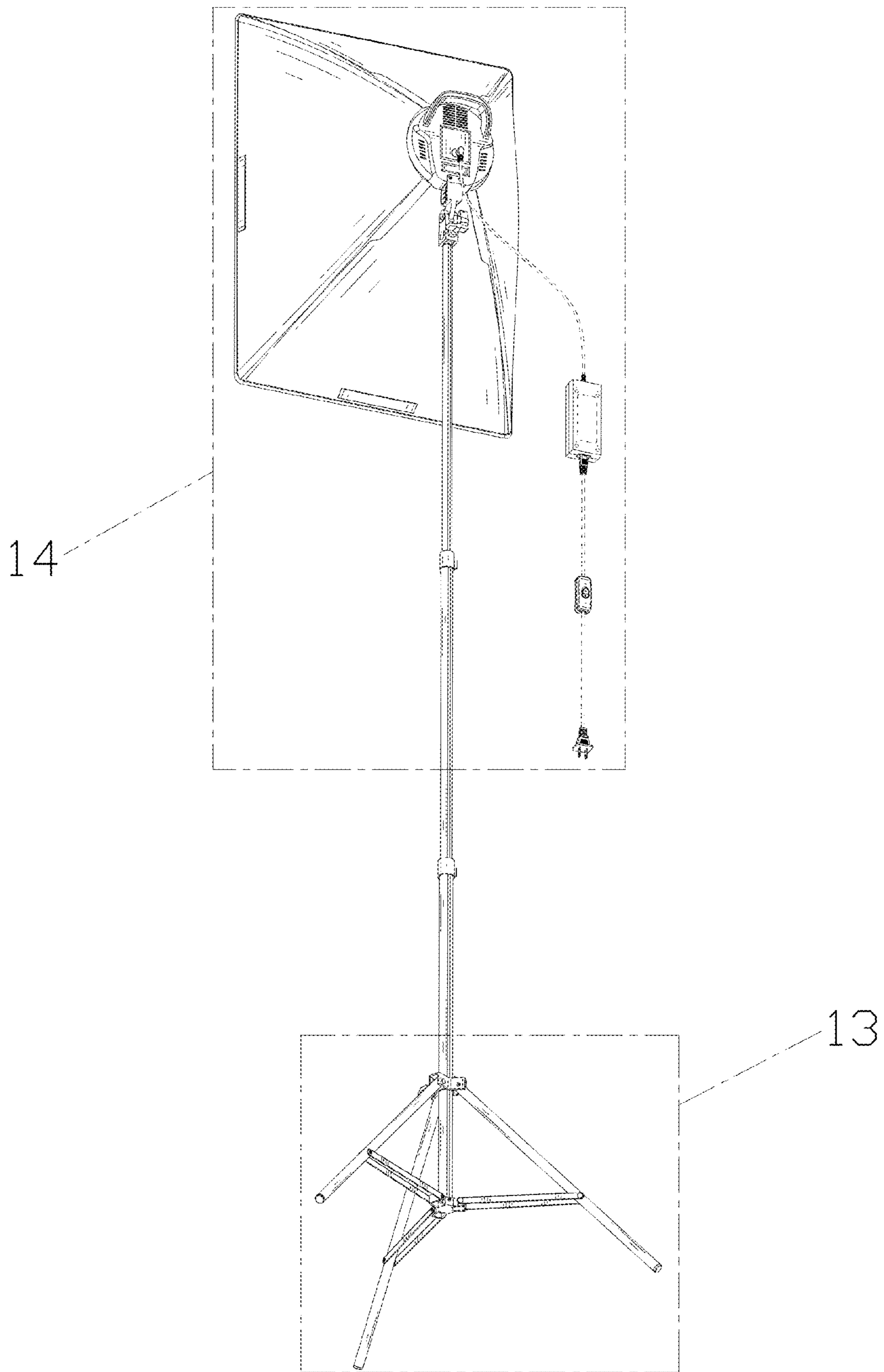


FIG. 2

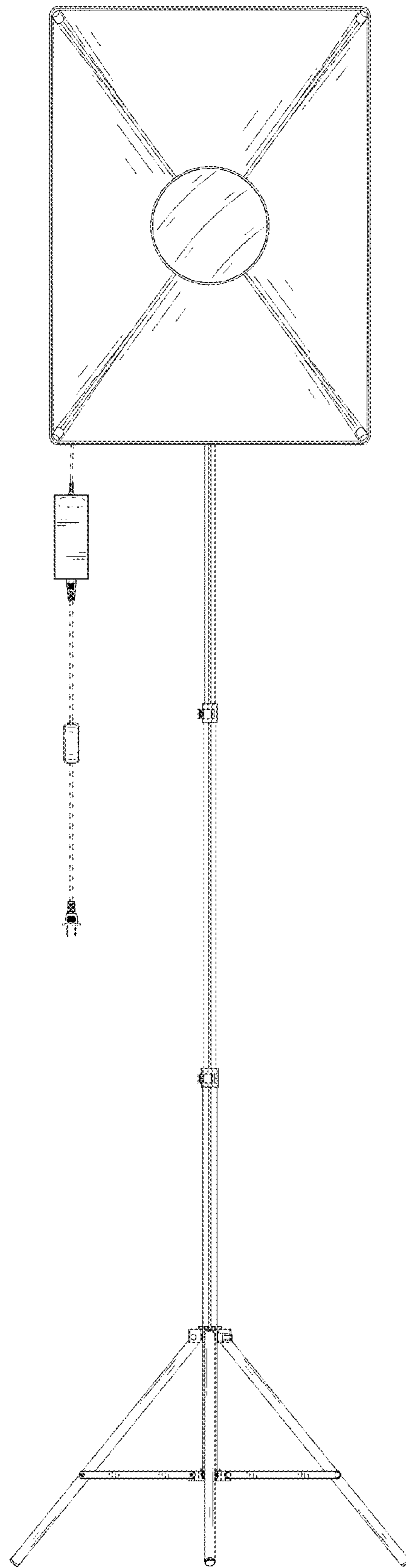


FIG. 3

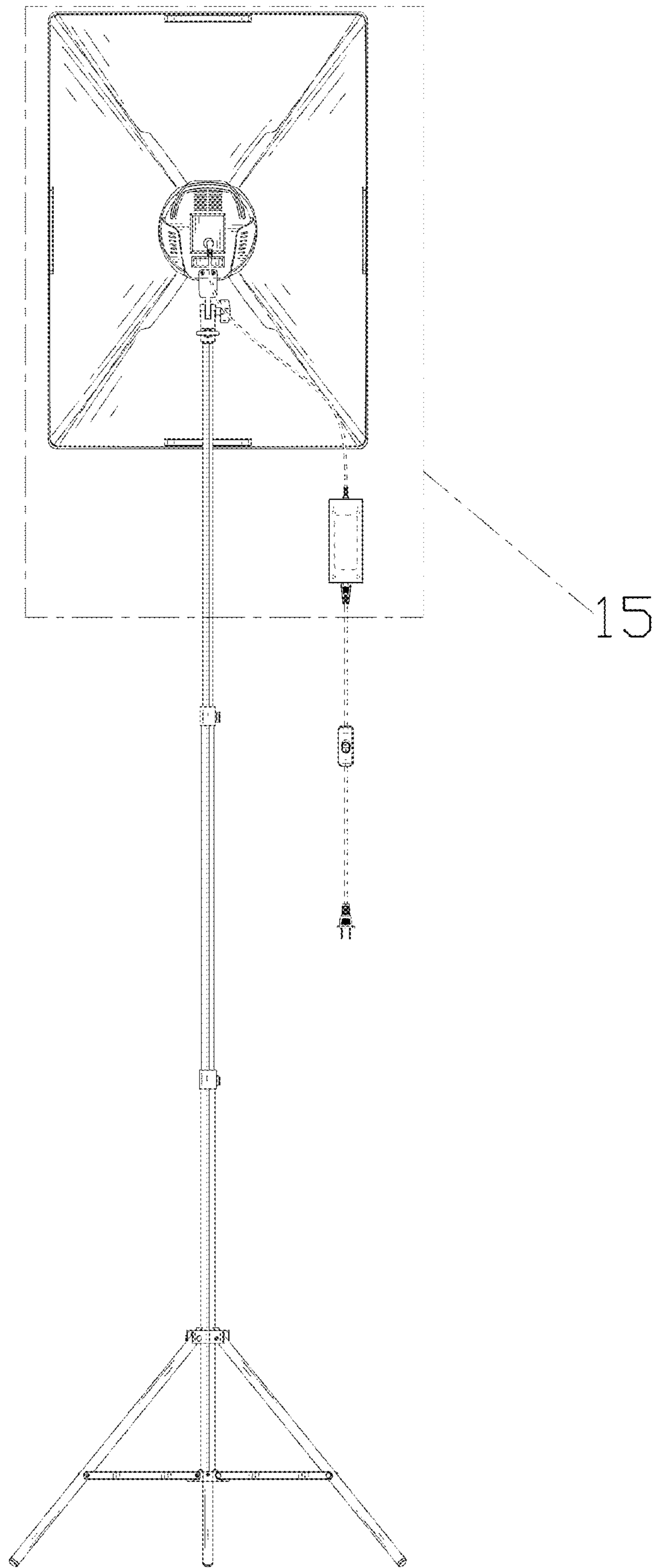


FIG. 4

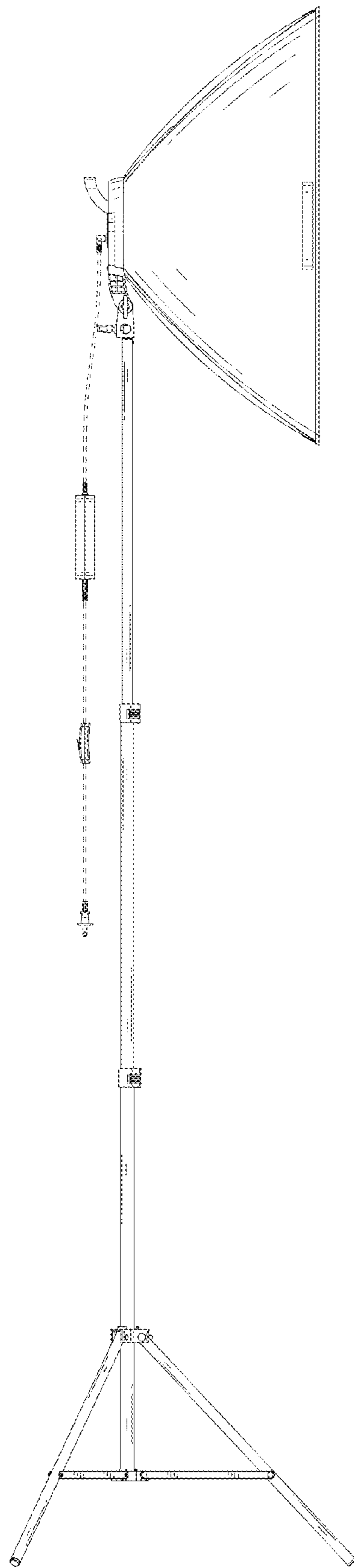


FIG. 5

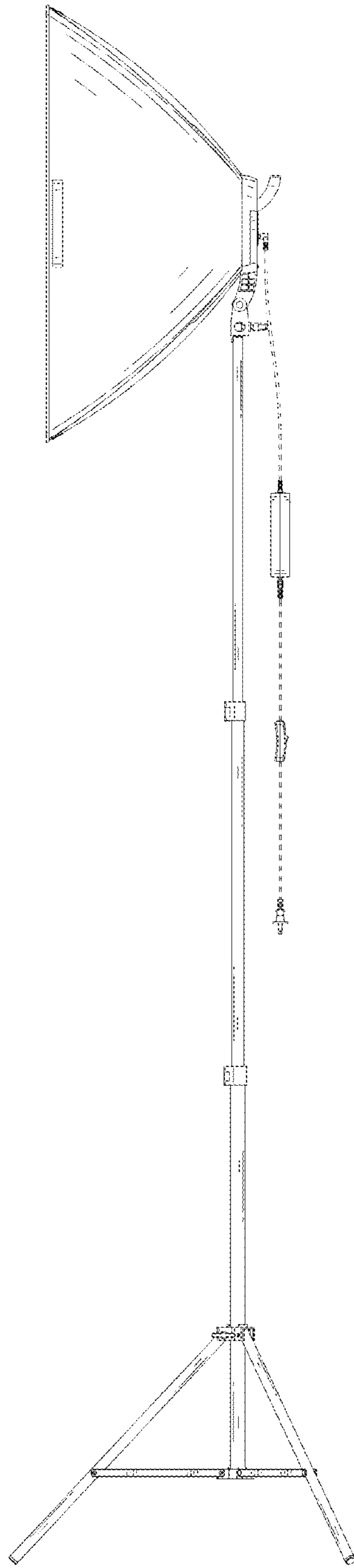


FIG. 6

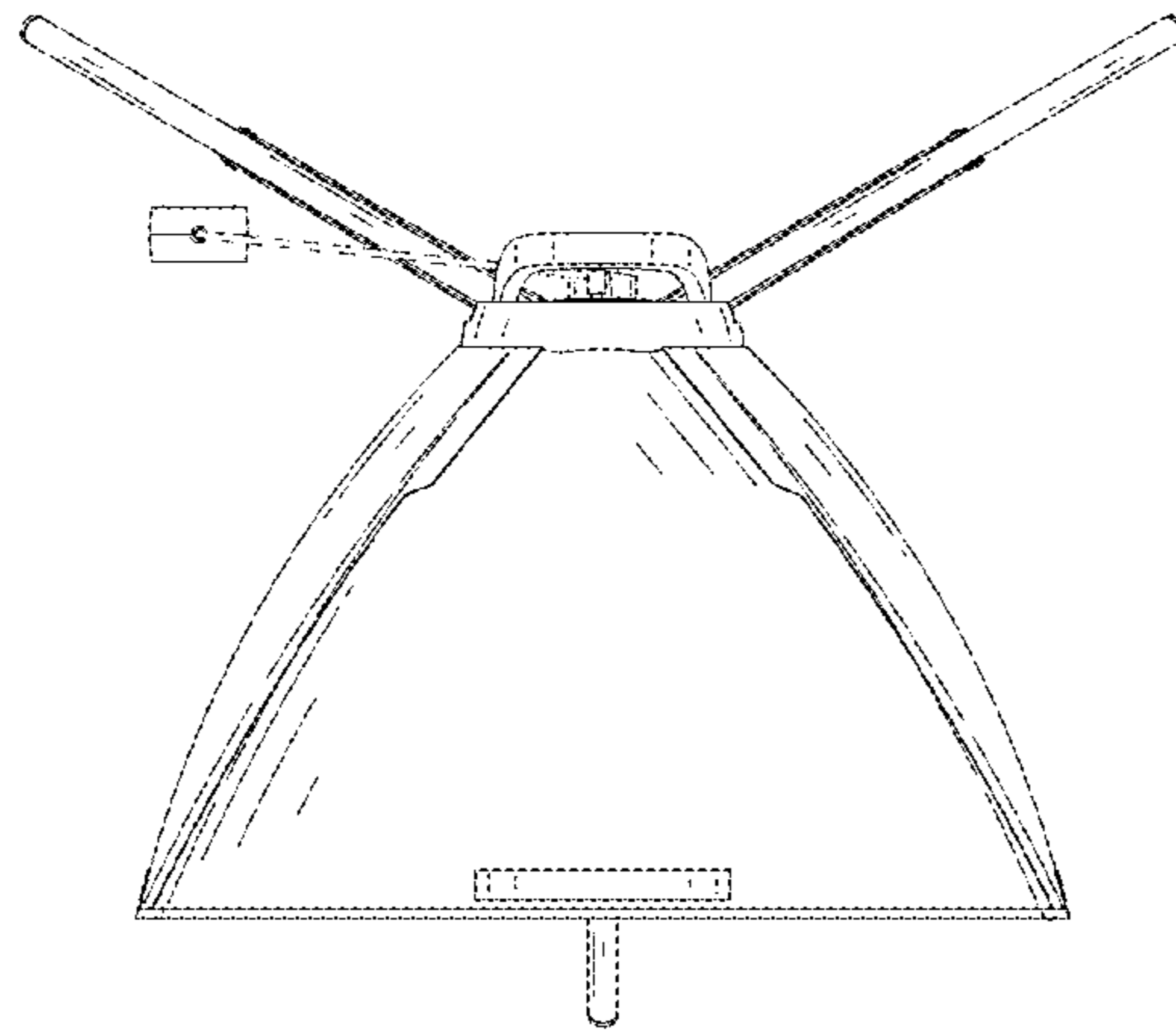


FIG. 7

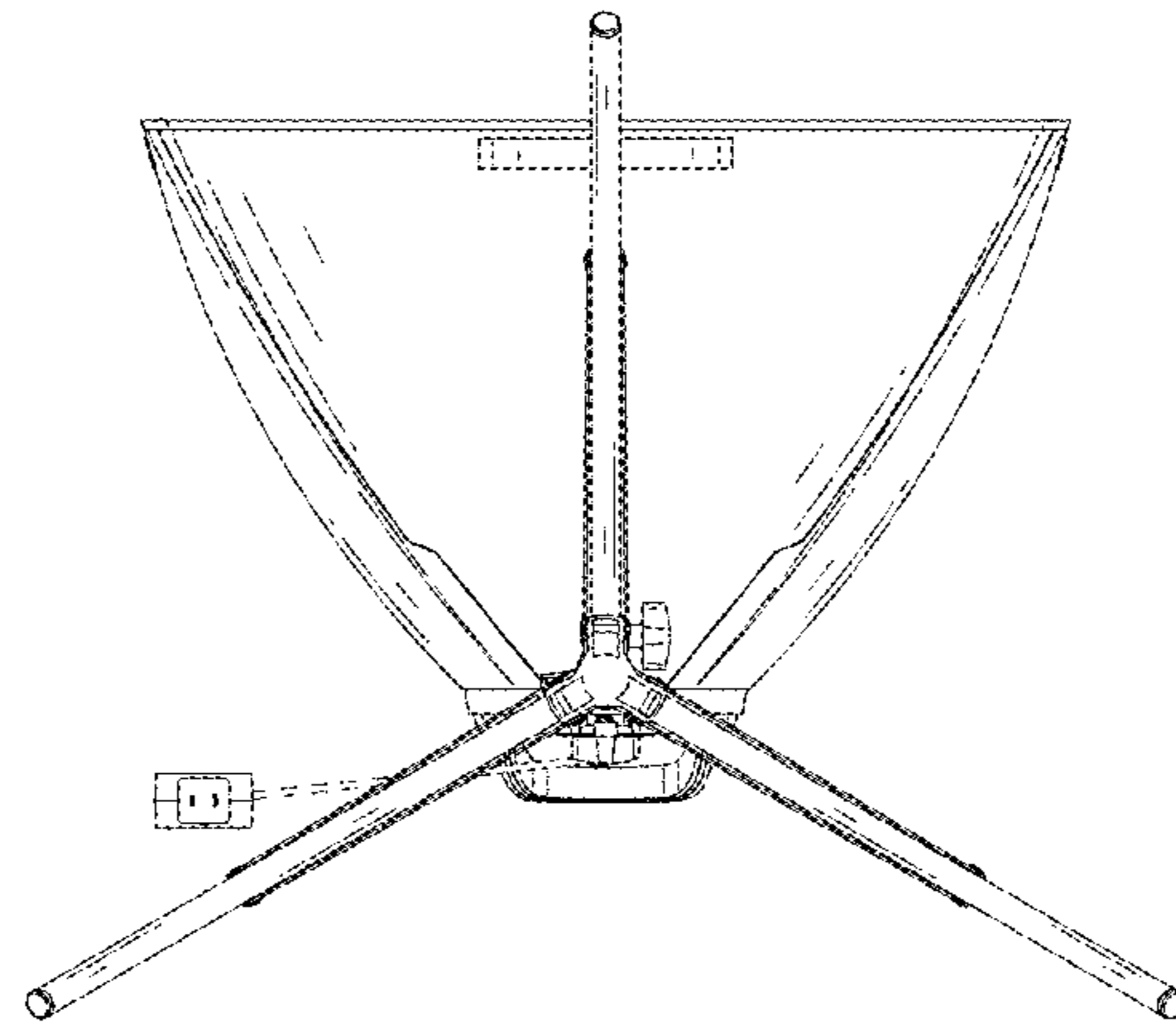


FIG. 8

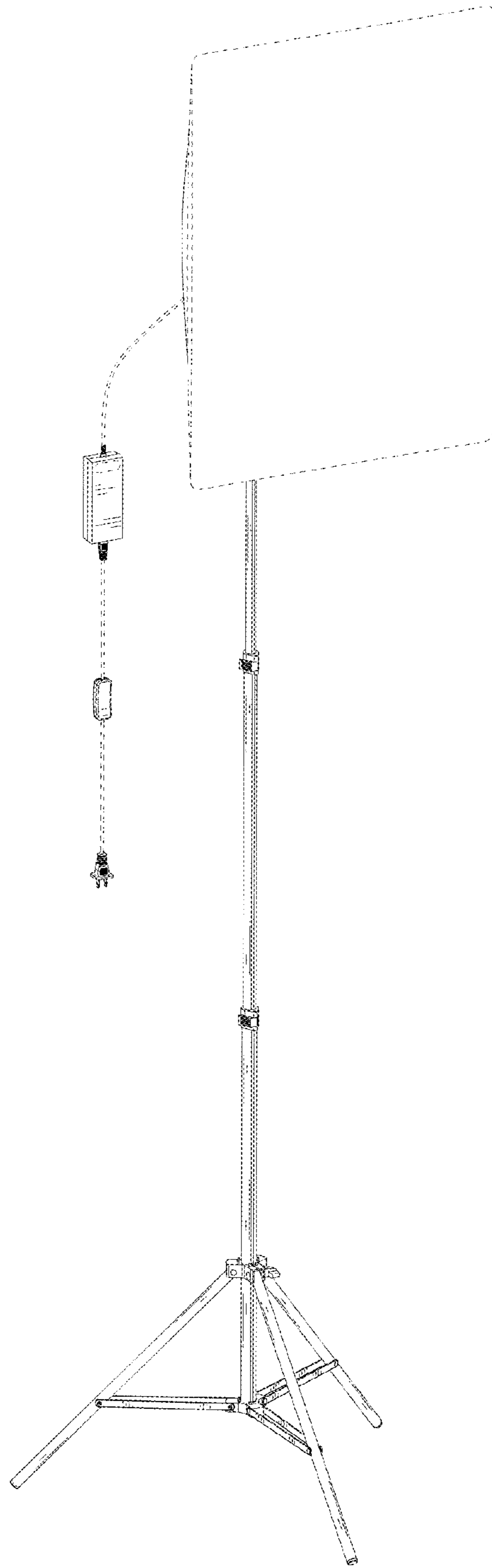


FIG. 9

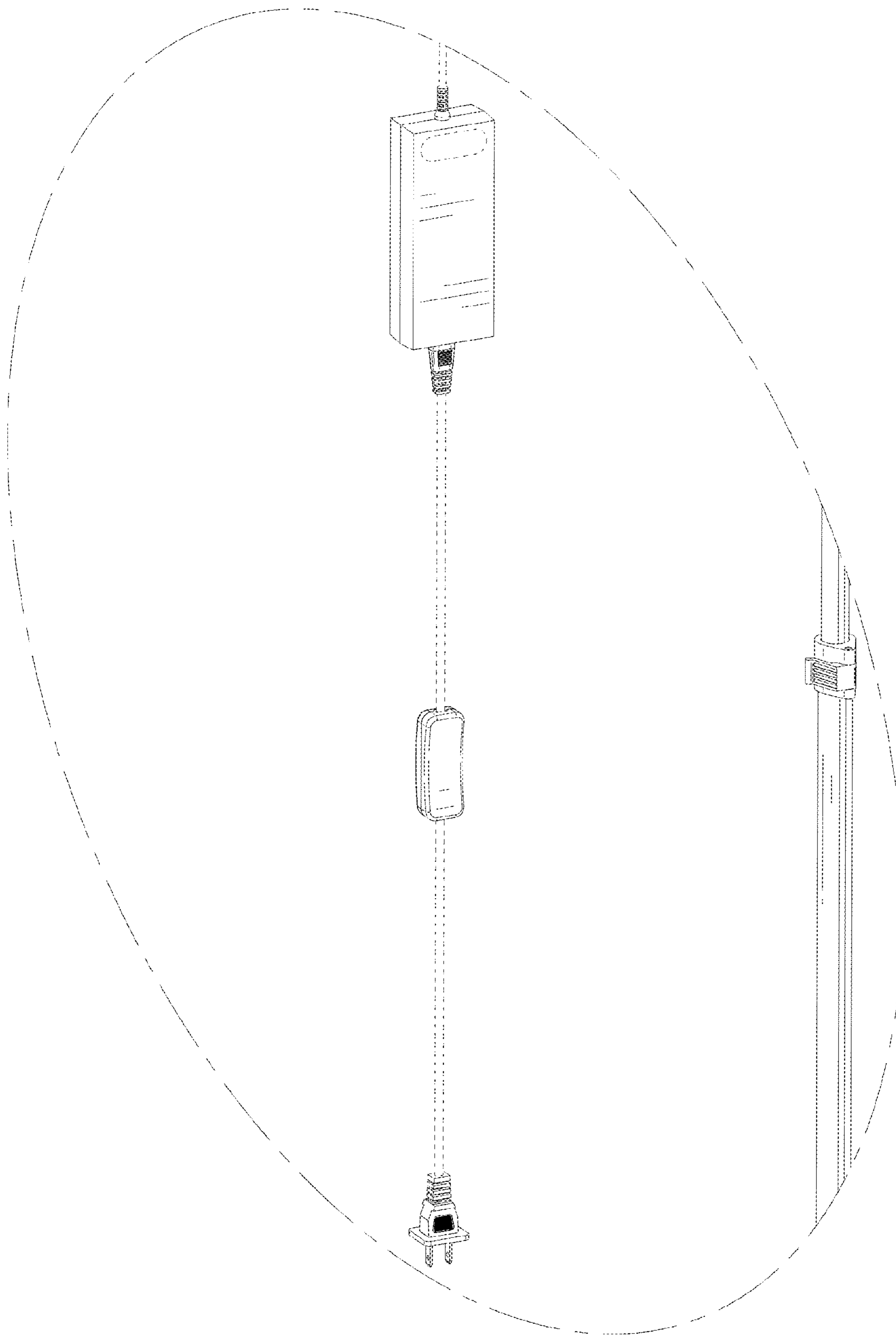


FIG. 10

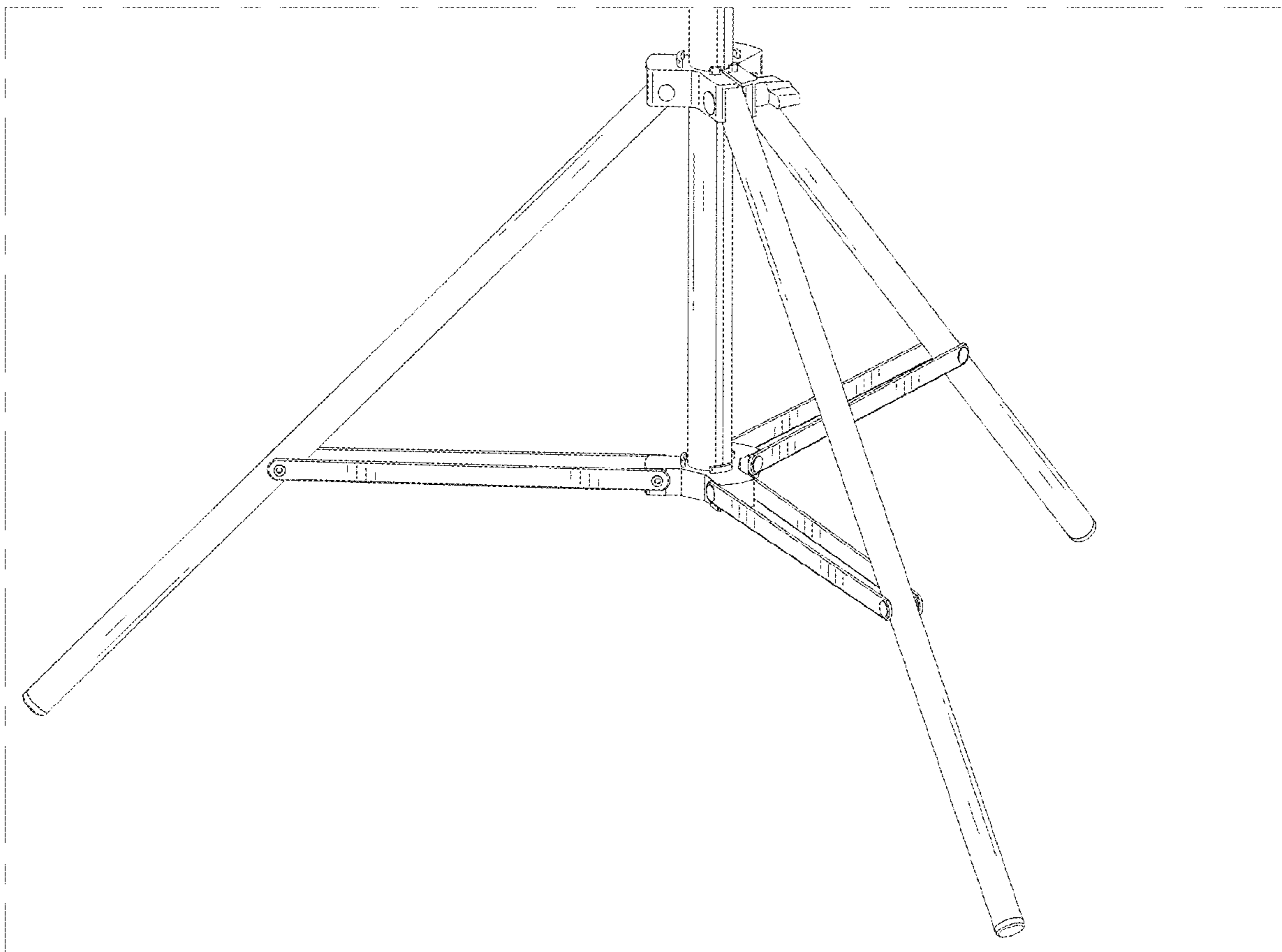


FIG. 11

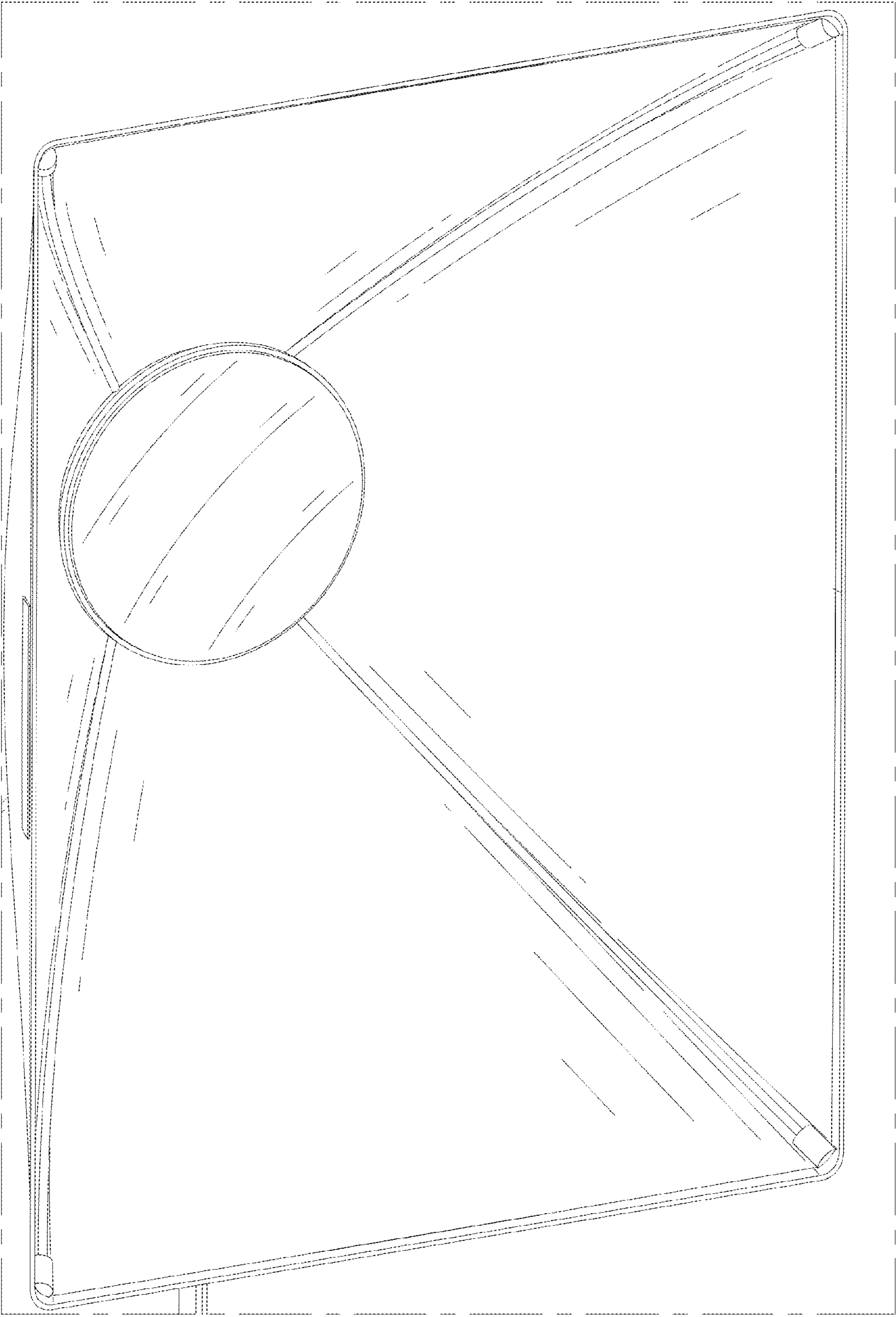


FIG. 12

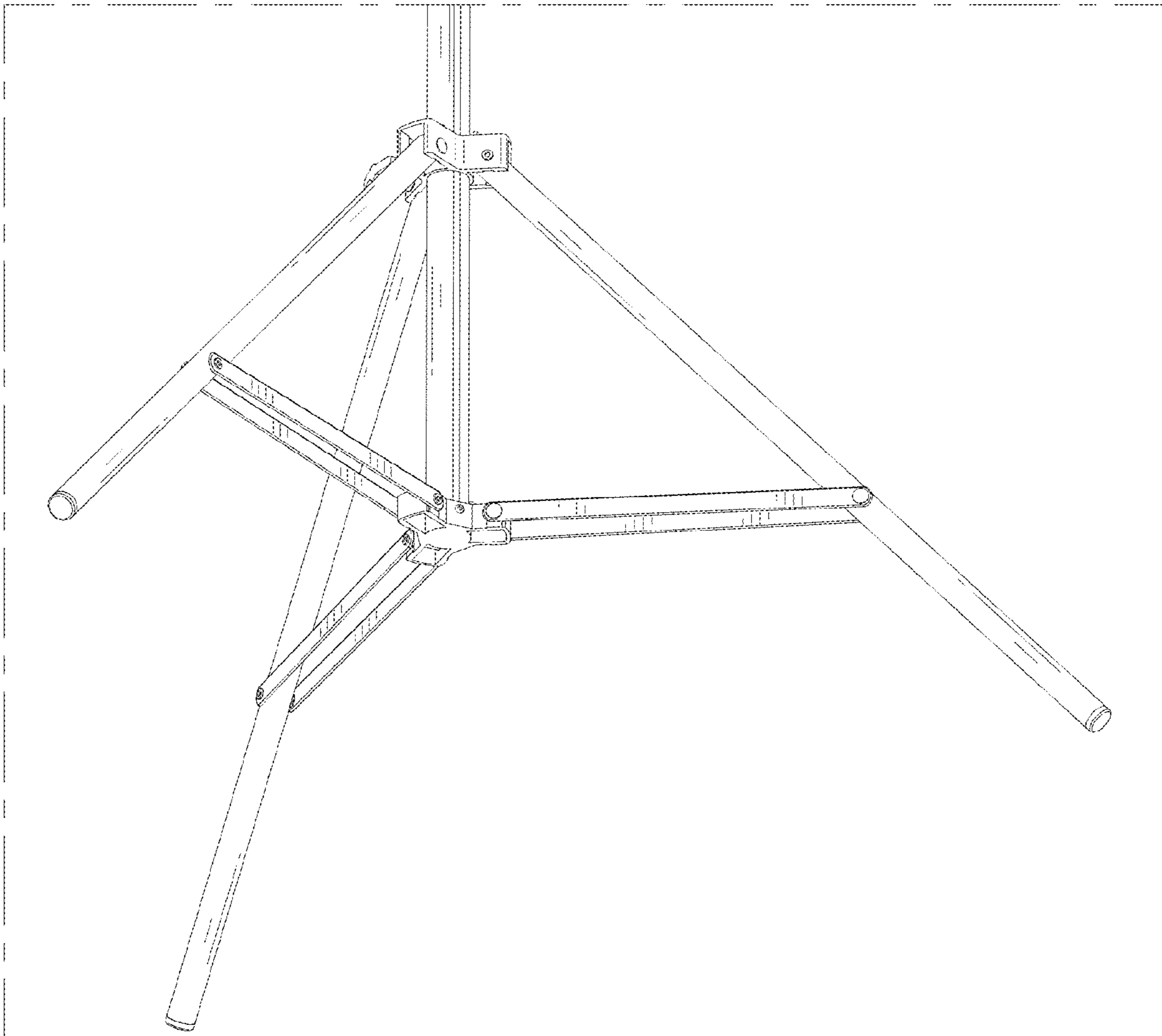


FIG. 13

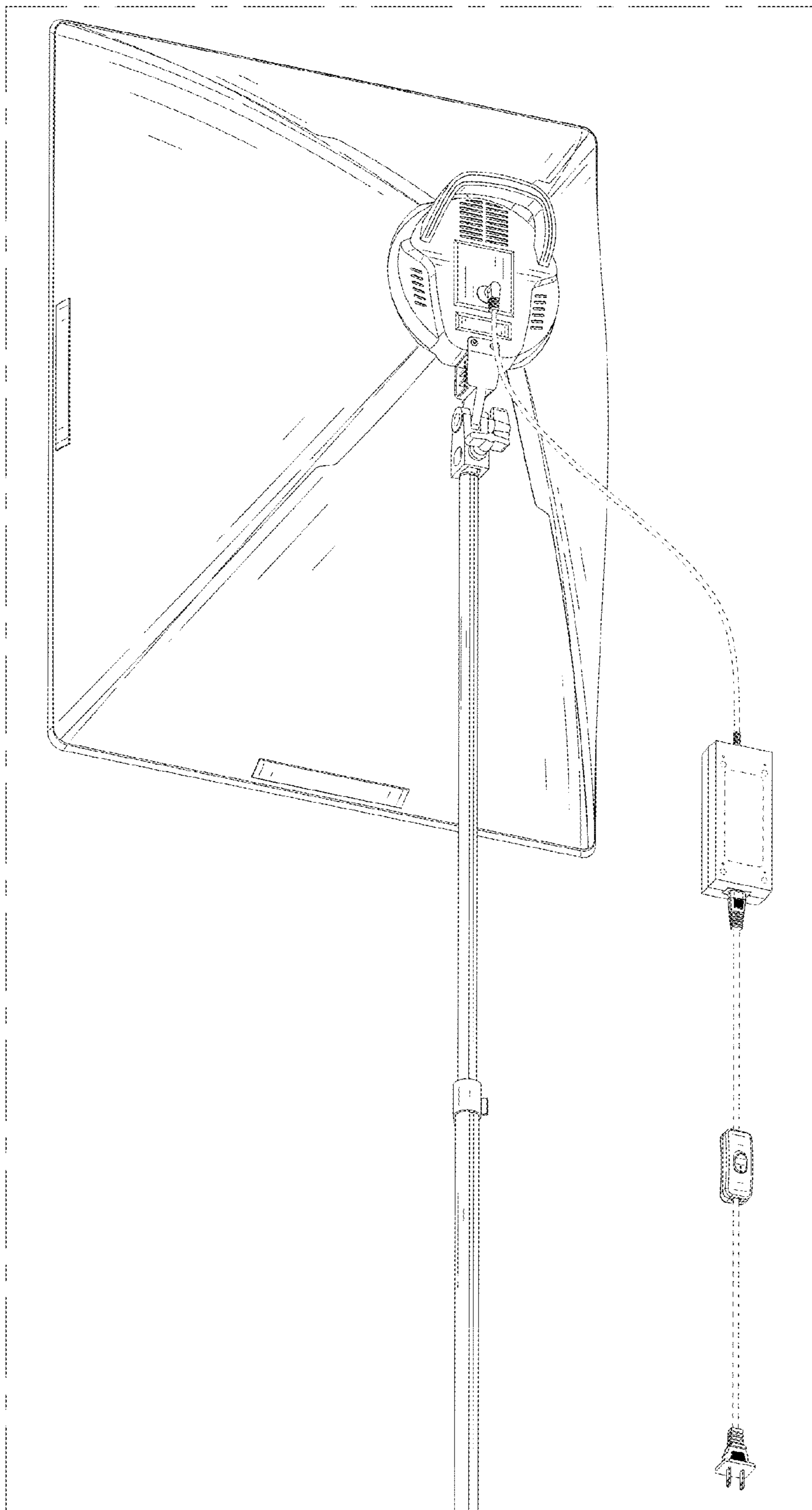


FIG. 14

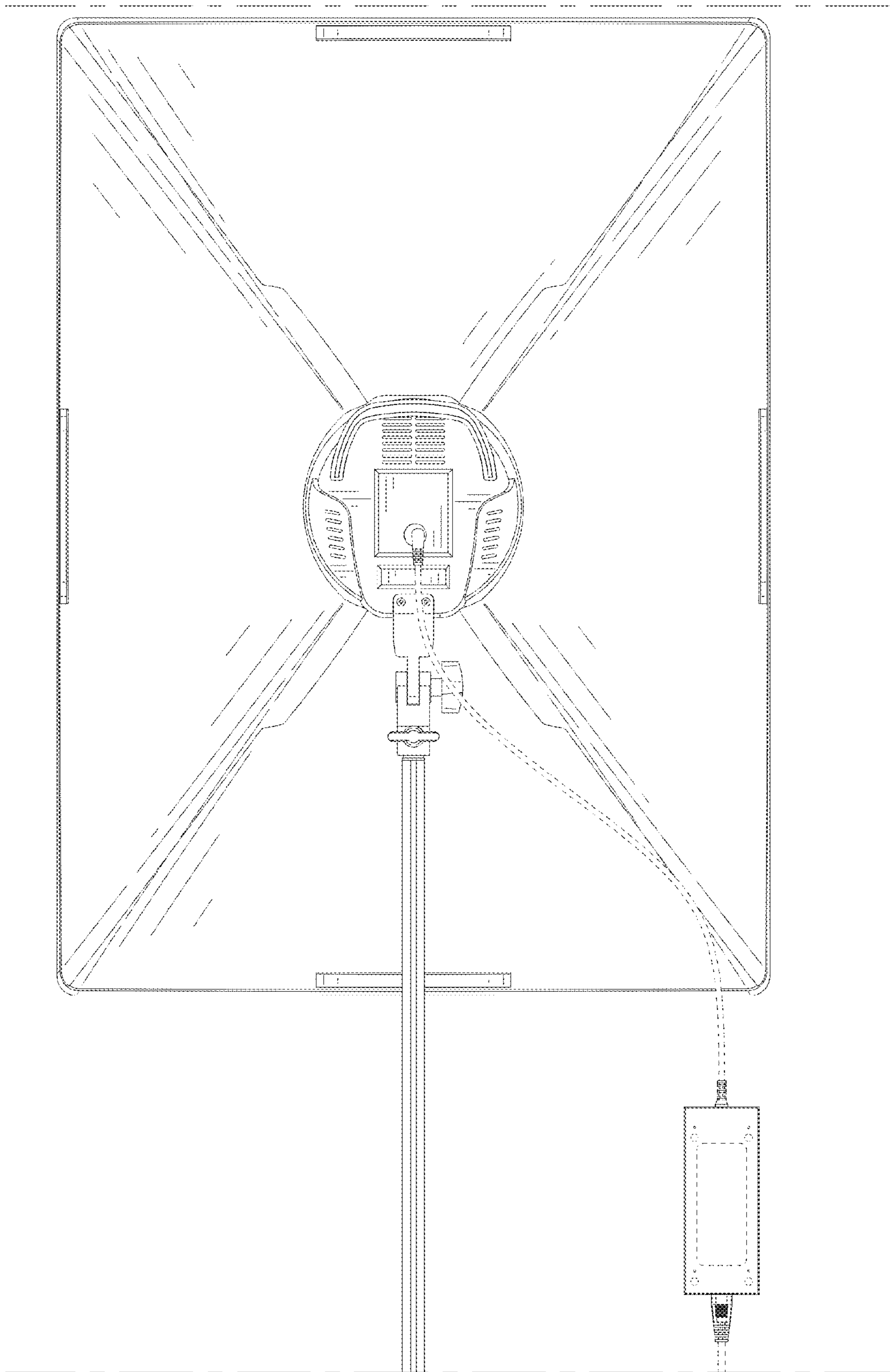


FIG. 15

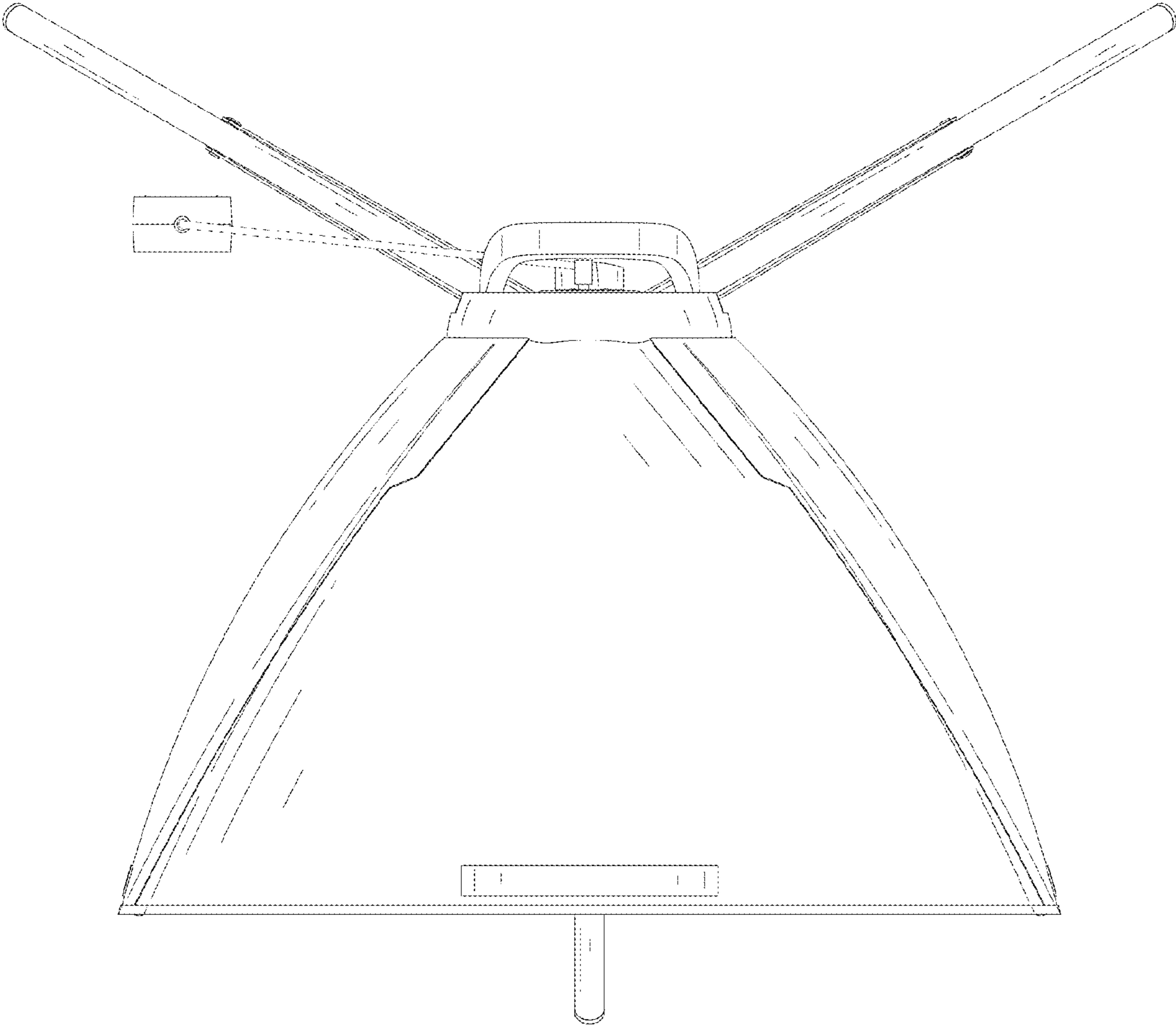


FIG. 16

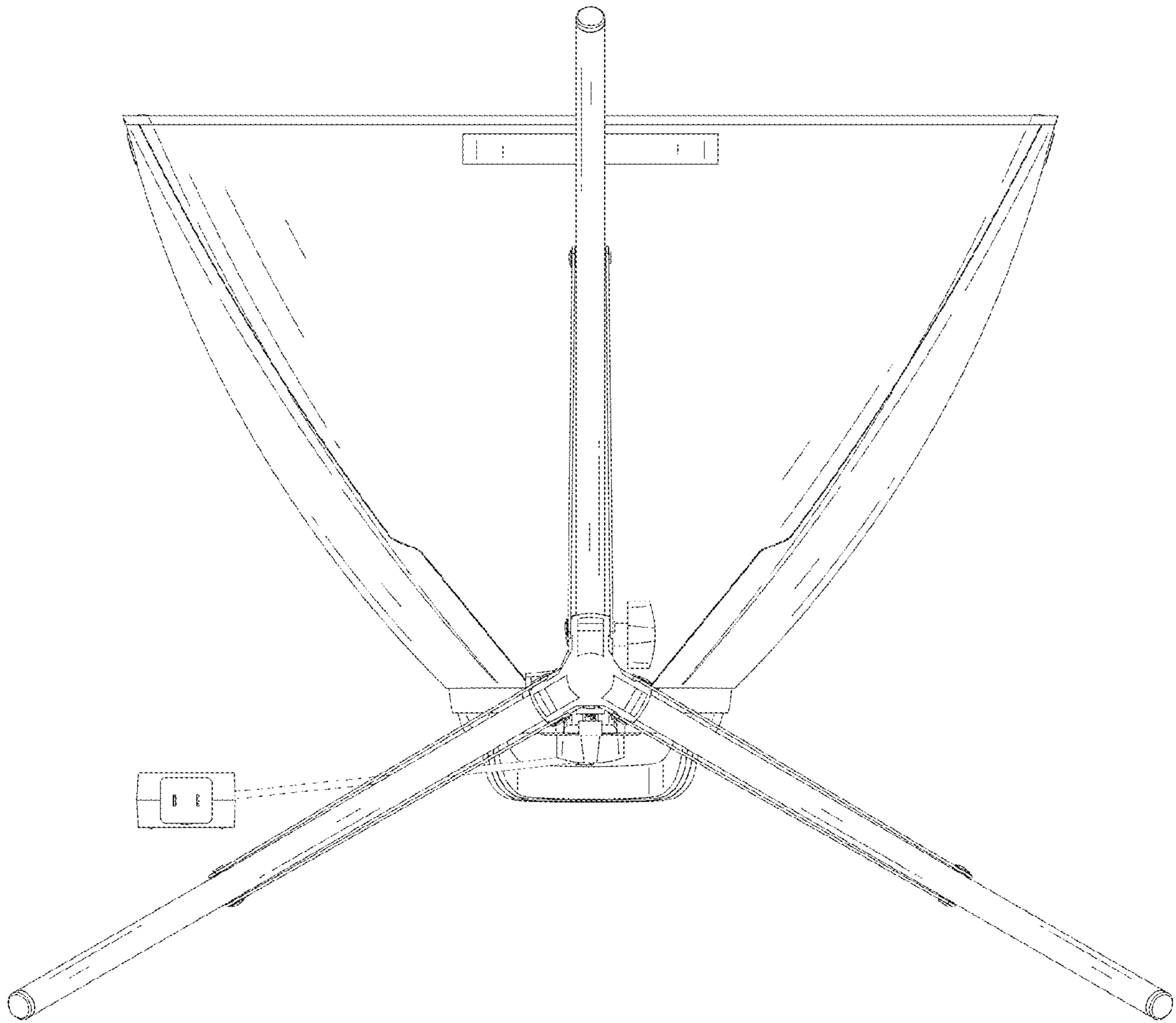


FIG. 17