



US00D947926S

(12) **United States Design Patent**  
**Tian**

(10) **Patent No.:** **US D947,926 S**

(45) **Date of Patent:** **\*\* Apr. 5, 2022**

(54) **PHOTOGRAPHY BACKGROUND FRAME**

(71) Applicant: **SHAOXING SHANGYU SHENGHUI PHOTOGRAPHIC EQUIPMENT CO., LTD.**, Shaoxing (CN)

(72) Inventor: **Gaosheng Tian**, Shaoxing (CN)

(73) Assignee: **SHAOXING SHANGYU SHENGHUI PHOTOGRAPHIC EQUIPMENT CO., LTD.**, Shaoxing (CN)

(\*\*) Term: **15 Years**

(21) Appl. No.: **29/765,420**

(22) Filed: **Jan. 8, 2021**

(30) **Foreign Application Priority Data**

Nov. 17, 2020 (EM) ..... 008273817

(51) **LOC (13) Cl.** ..... **16-05**

(52) **U.S. Cl.**  
USPC ..... **D16/237; D16/244**

(58) **Field of Classification Search**  
USPC ..... D16/208–209, 219, 237–250; D8/354, D8/355, 363, 373, 382–383, 394–396; D14/224, 229, 238, 251, 253, 447, 451, D14/457

CPC .. F16M 11/14; G02B 7/00–002; G03B 17/56; G03B 17/561–566; H04N 5/2253–2254; A45F 5/00; A45F 2200/0508–0533

See application file for complete search history.

(56) **References Cited**

**U.S. PATENT DOCUMENTS**

1,510,272 A \* 9/1924 Harmount ..... A47G 25/0664  
248/412  
D268,458 S \* 4/1983 Schoenig ..... D16/244  
D570,618 S \* 6/2008 Tai ..... D14/229

9,051,751 B2 \* 6/2015 Ogilvie ..... E04H 15/005  
D823,824 S \* 7/2018 Won ..... D14/126  
D828,057 S \* 9/2018 Yaguchi ..... D6/681  
D845,376 S 4/2019 Kim  
D898,106 S \* 10/2020 Zhao ..... D16/241  
10,794,113 B2 \* 10/2020 Tapley ..... E06B 9/24

(Continued)

**OTHER PUBLICATIONS**

Background Heavy Duty Backdrop Stand Support Kit. [online] Published on Dec. 15, 2016. Retrieved Feb. 8, 2022 from URL: <https://www.efavormart.com/products/8ft-height-adjustable-crossbar-kit-backdrop-support-system-stand-with-free-clips> (Year: 2016).\*

(Continued)

*Primary Examiner* — Vy N Koenig

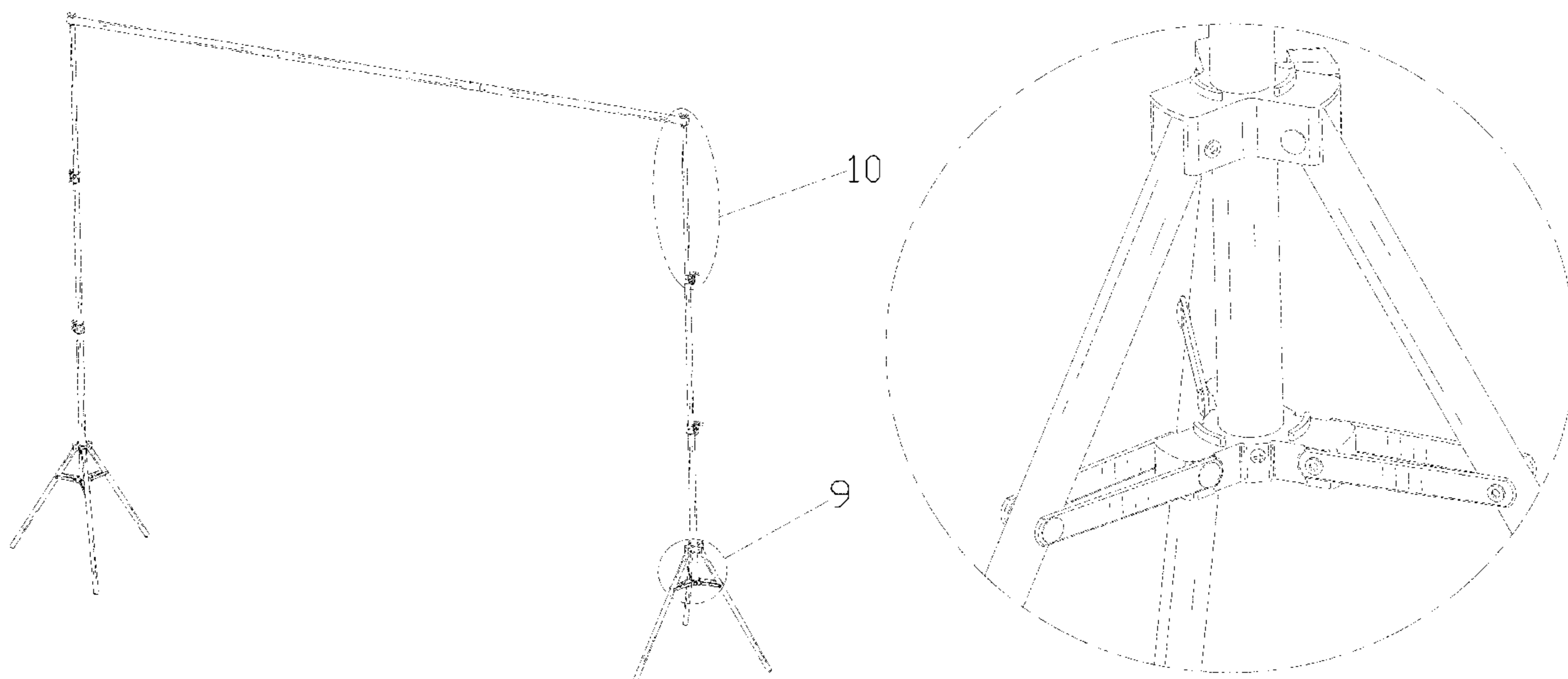
(57) **CLAIM**

The ornamental design for a photography background frame, as shown and described.

**DESCRIPTION**

FIG. 1 is a perspective view of a photography background frame showing my new design;  
FIG. 2 is another perspective view thereof;  
FIG. 3 is a front elevational view thereof;  
FIG. 4 is a rear elevational view thereof;  
FIG. 5 is a left side elevational view thereof;  
FIG. 6 is a right side elevational view thereof;  
FIG. 7 is a top plan view thereof;  
FIG. 8 is a bottom plan view thereof;  
FIG. 9 is an enlarged view of portion 9 shown in FIG. 1;  
FIG. 10 is an enlarged view of portion 10 shown in FIG. 1;  
FIG. 11 is an enlarged view of portion 11 shown in FIG. 2;  
FIG. 12 is an enlarged view of portion 12 shown in FIG. 3;  
and,  
FIG. 13 is an enlarged view of portion 13 shown in FIG. 3.

**1 Claim, 13 Drawing Sheets**



(56)

**References Cited**

U.S. PATENT DOCUMENTS

D911,428 S \* 2/2021 Xiao ..... D16/244  
D919,693 S \* 5/2021 Yang ..... D16/241  
D943,018 S \* 2/2022 Feng ..... D16/244

OTHER PUBLICATIONS

HPUSN Photo Video Studio 10ft. Adjustable Backdrop Stand.  
[online] Published on Apr. 2, 2020. Retrieved Feb. 8, 2022 from  
URL: <https://www.amazon.com/HPUSN-Adjustable-Backdrop-Background-Photography/dp/B086P7L1XV/> (Year: 2020).\*  
Backdrop Stands\_OrbitRefs\_D16Jan2022.pdf. Design © Questel  
orbit.com. [Online PDF compilation of references selected by  
examiner] 2 pgs. Retrieved Feb. 8, 2022 from URL: <https://www.orbit.com/export/QPTUJ190/pdf2/dc2f413b-31d6-4e02-a28e-d0dd55a0b8e8-210410.pdf> (Year: 2022).\*

\* cited by examiner

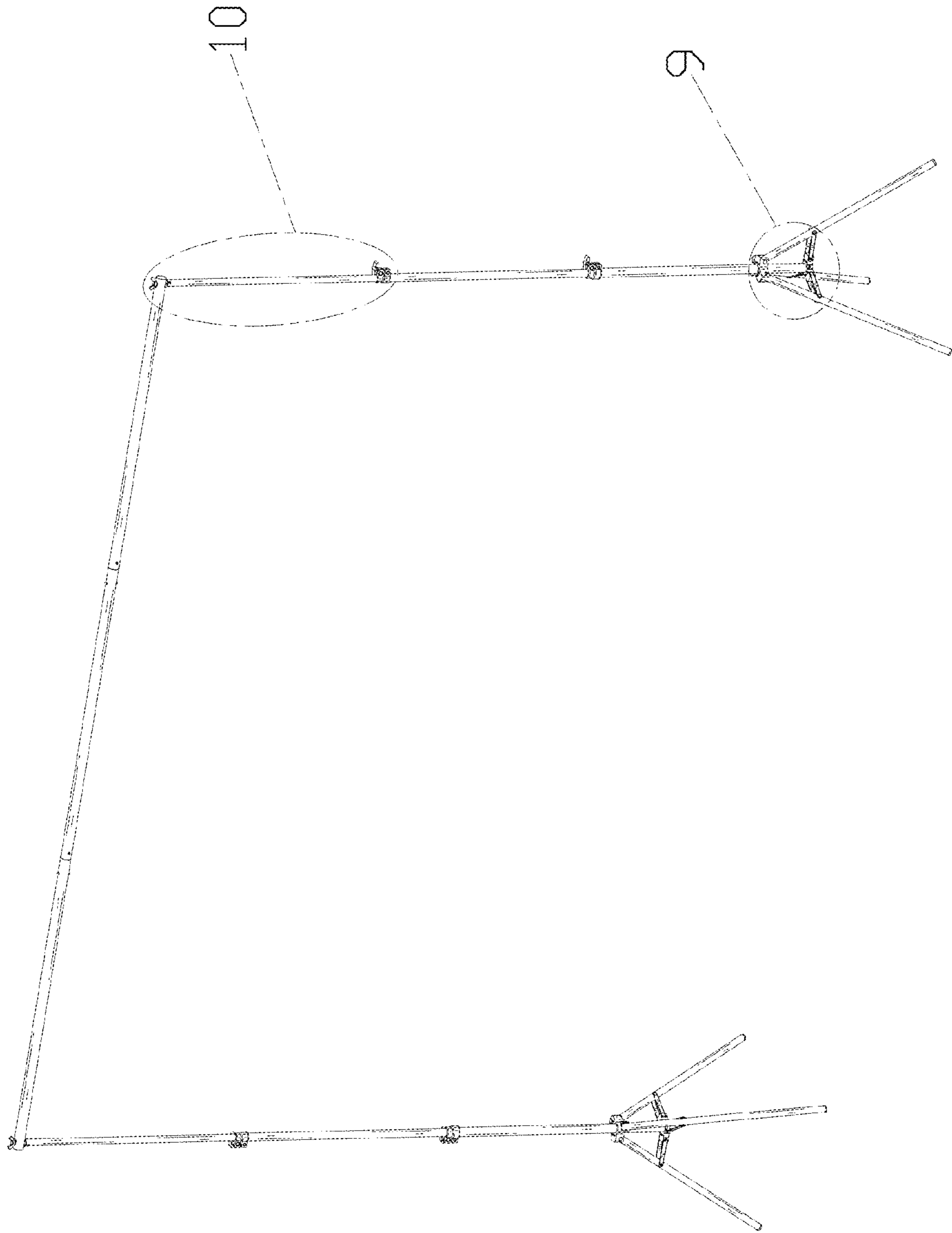


FIG. 1

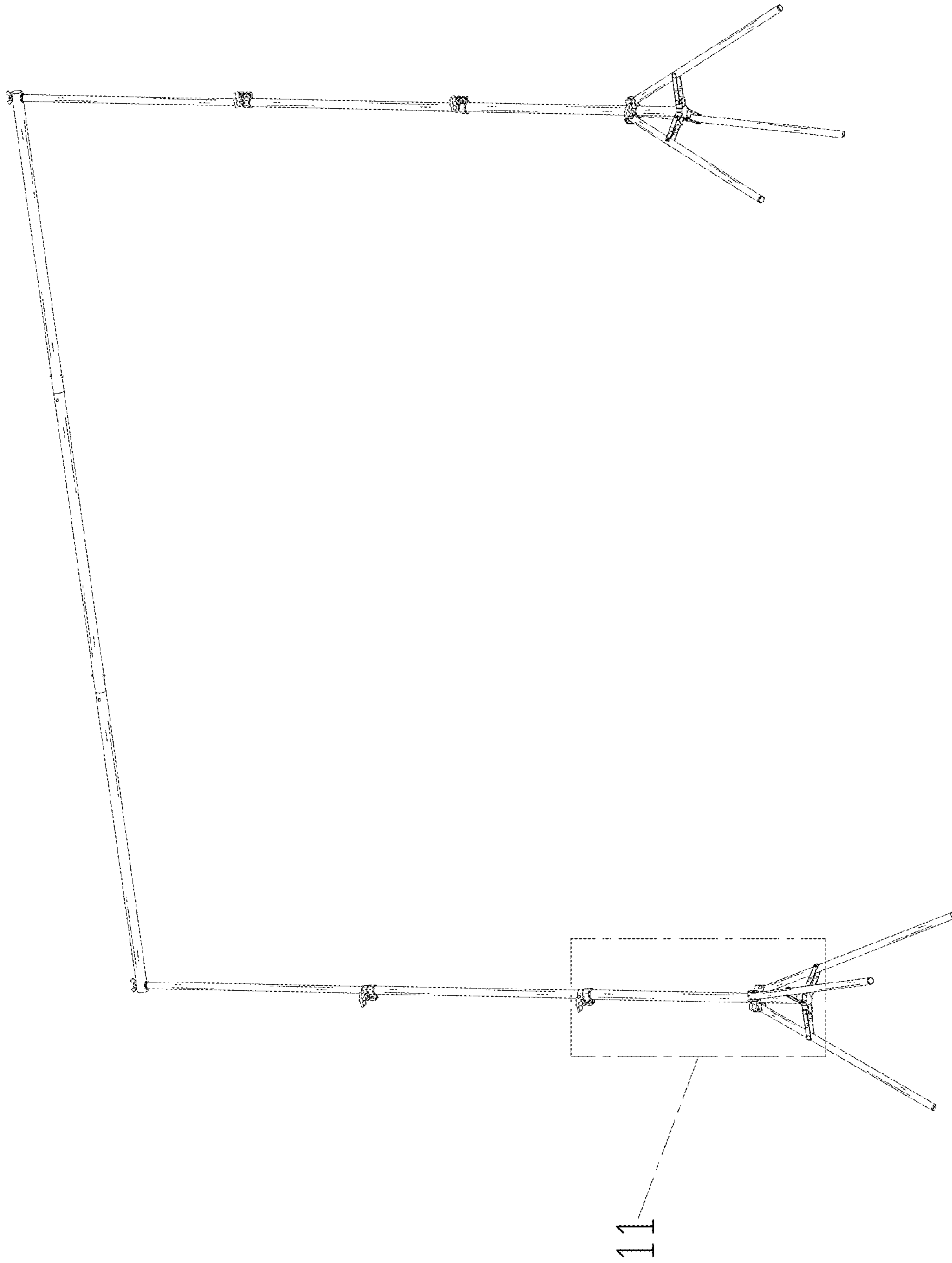


FIG. 2

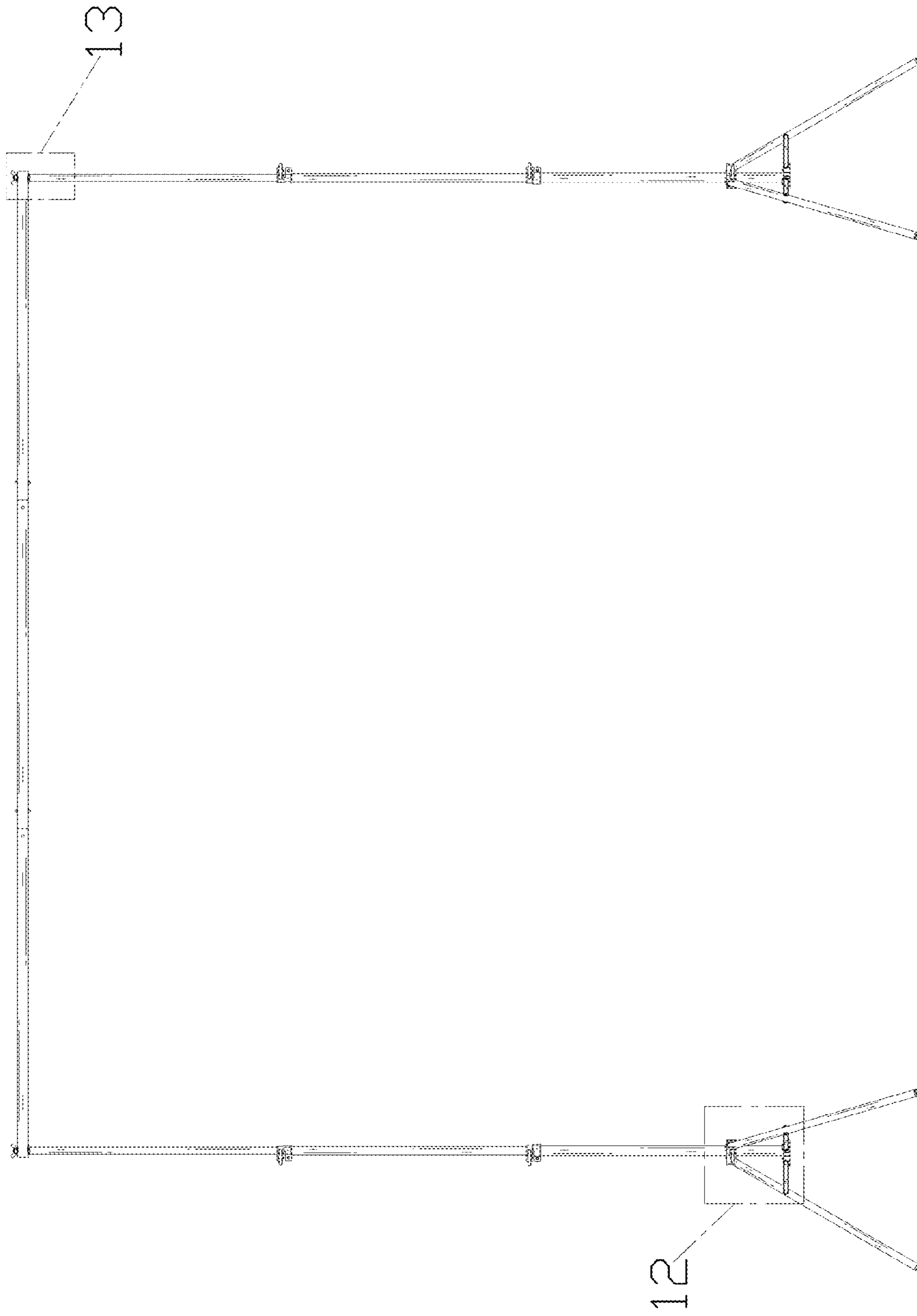


FIG. 3

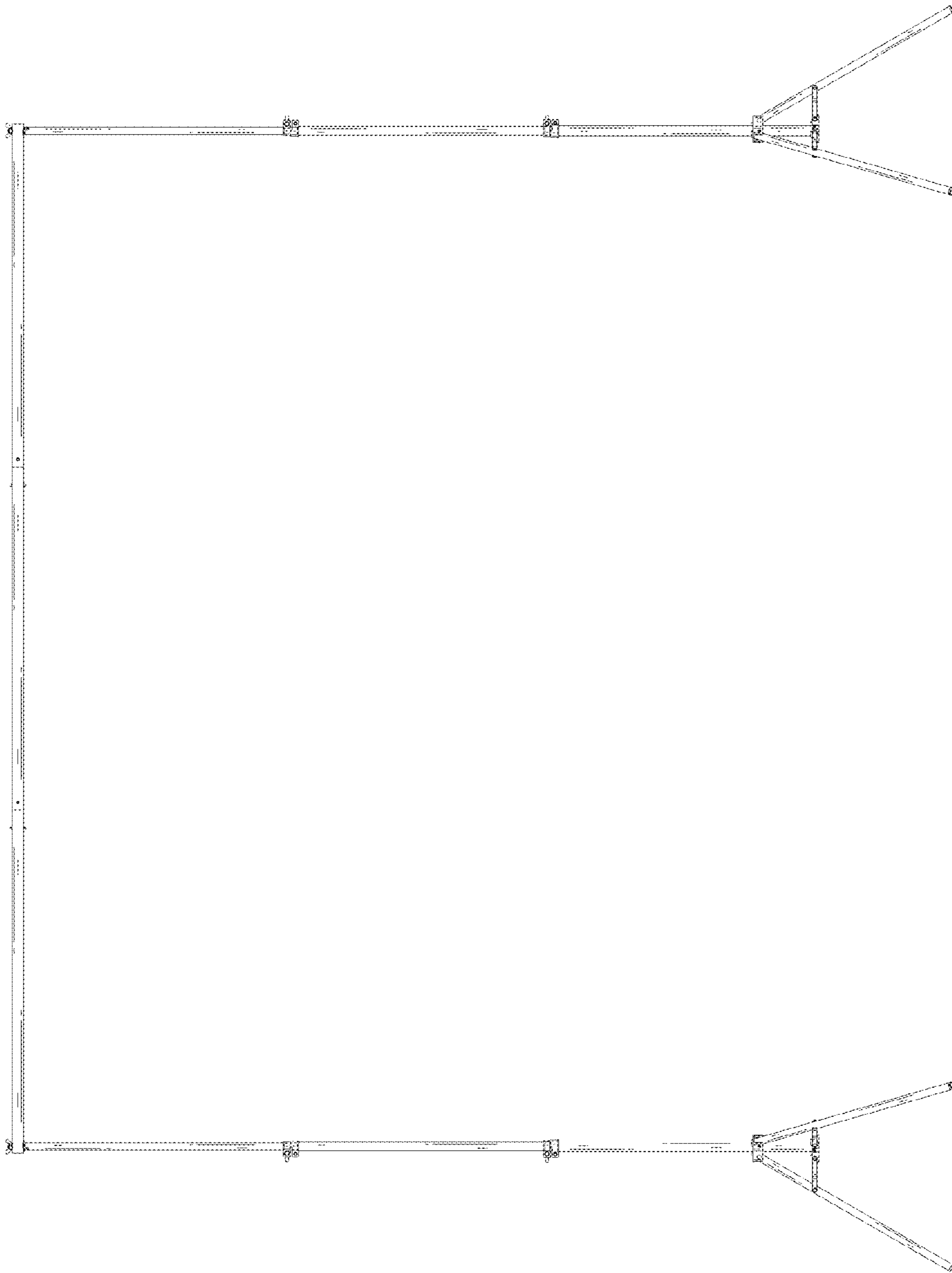


FIG. 4

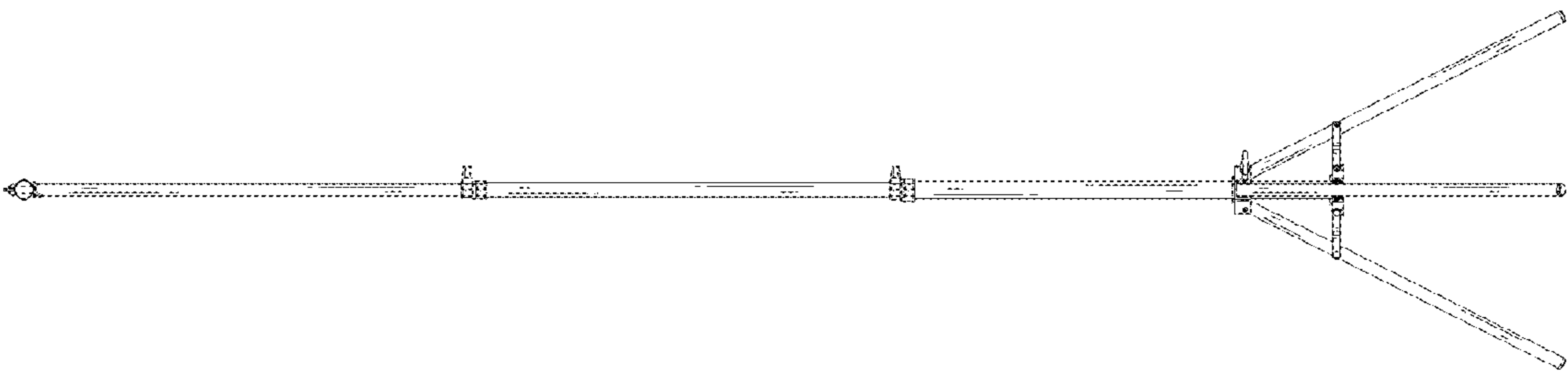


FIG. 5

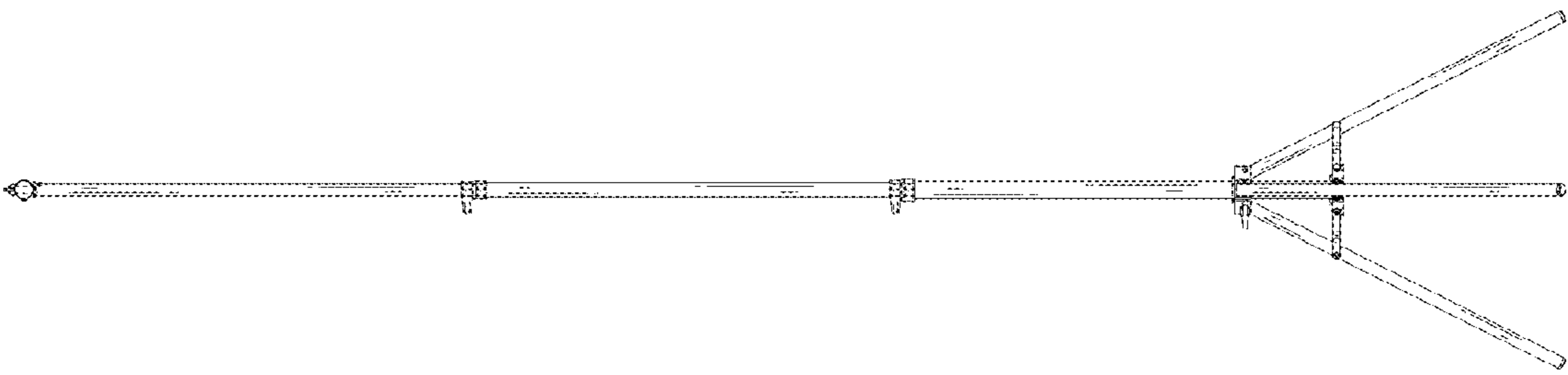


FIG. 6



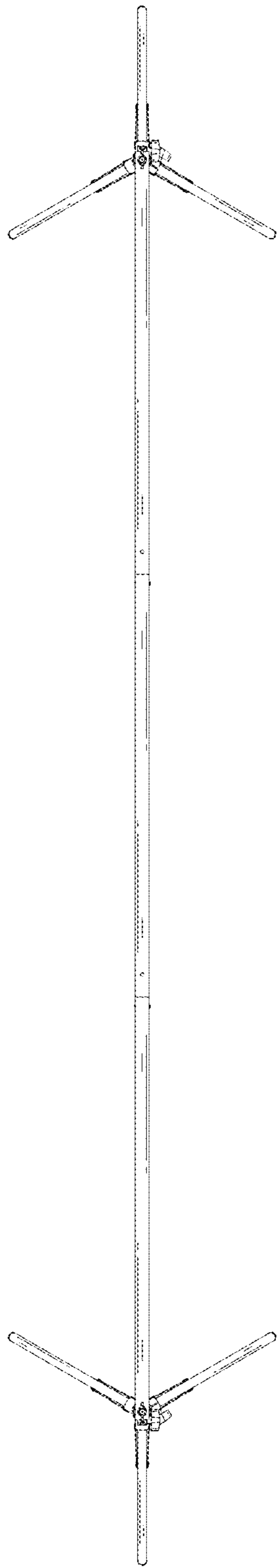


FIG. 7

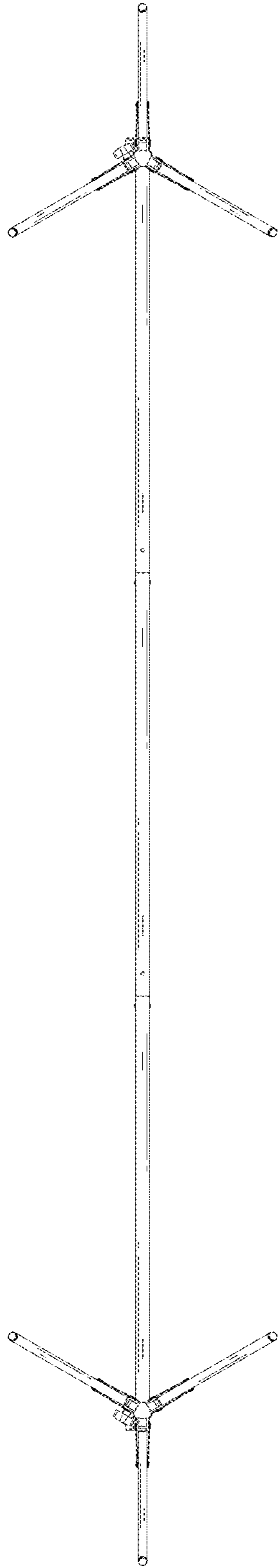


FIG. 8

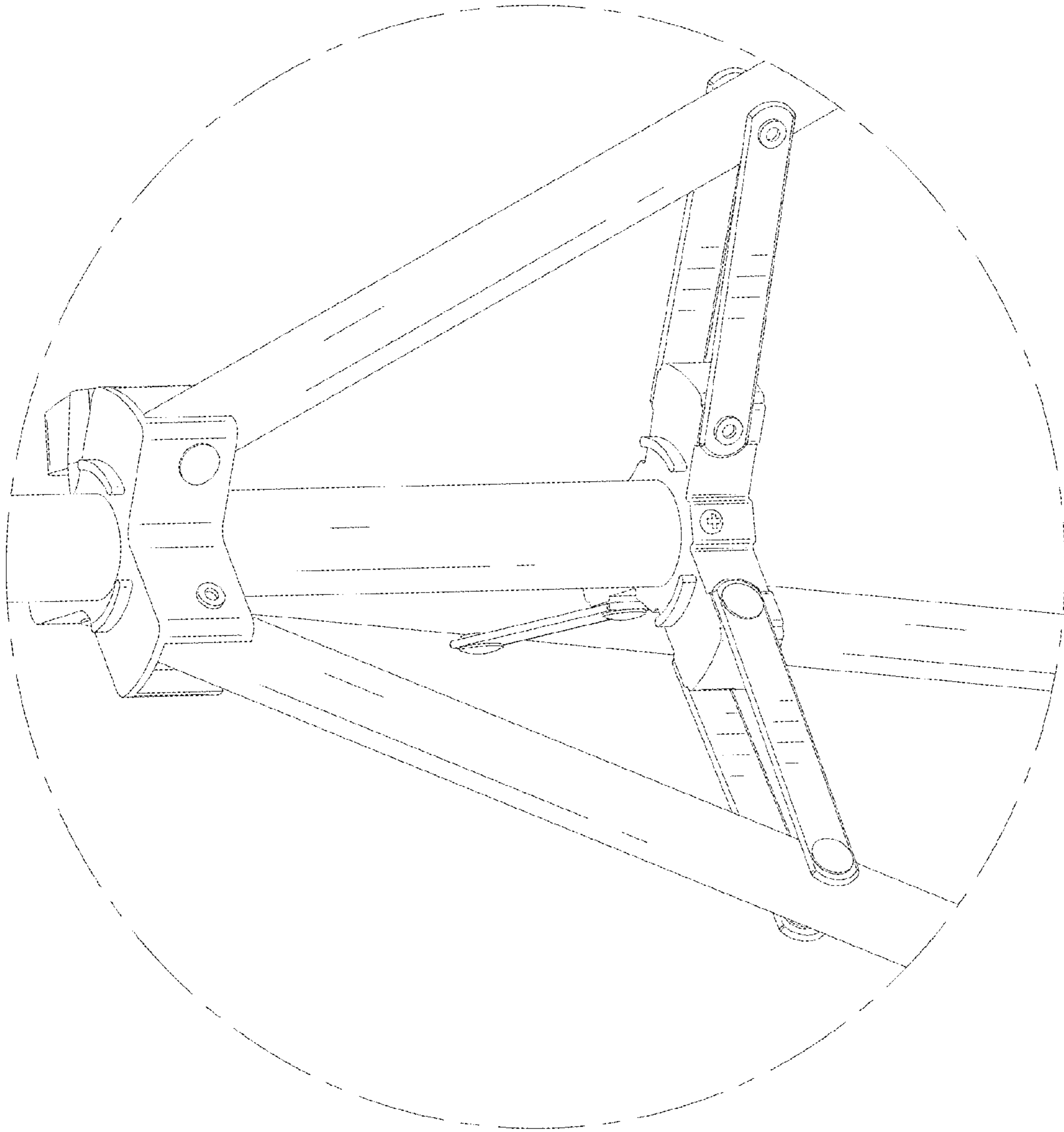


FIG. 9

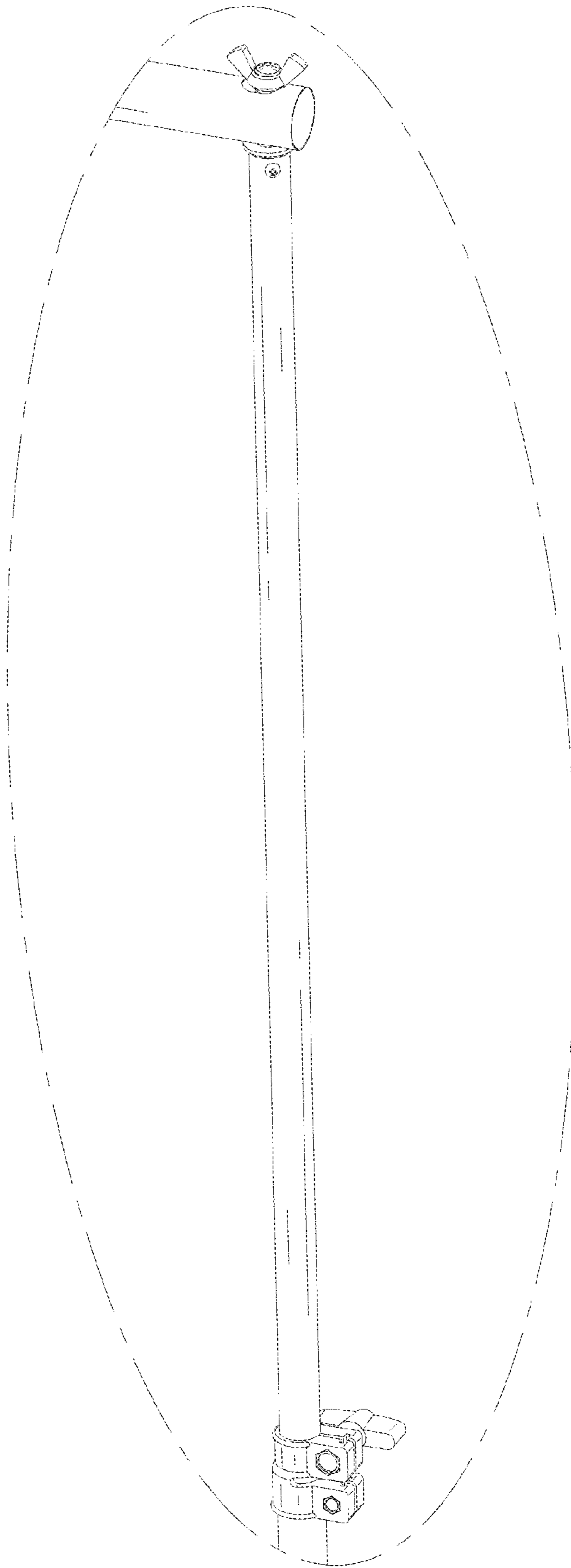


FIG. 10

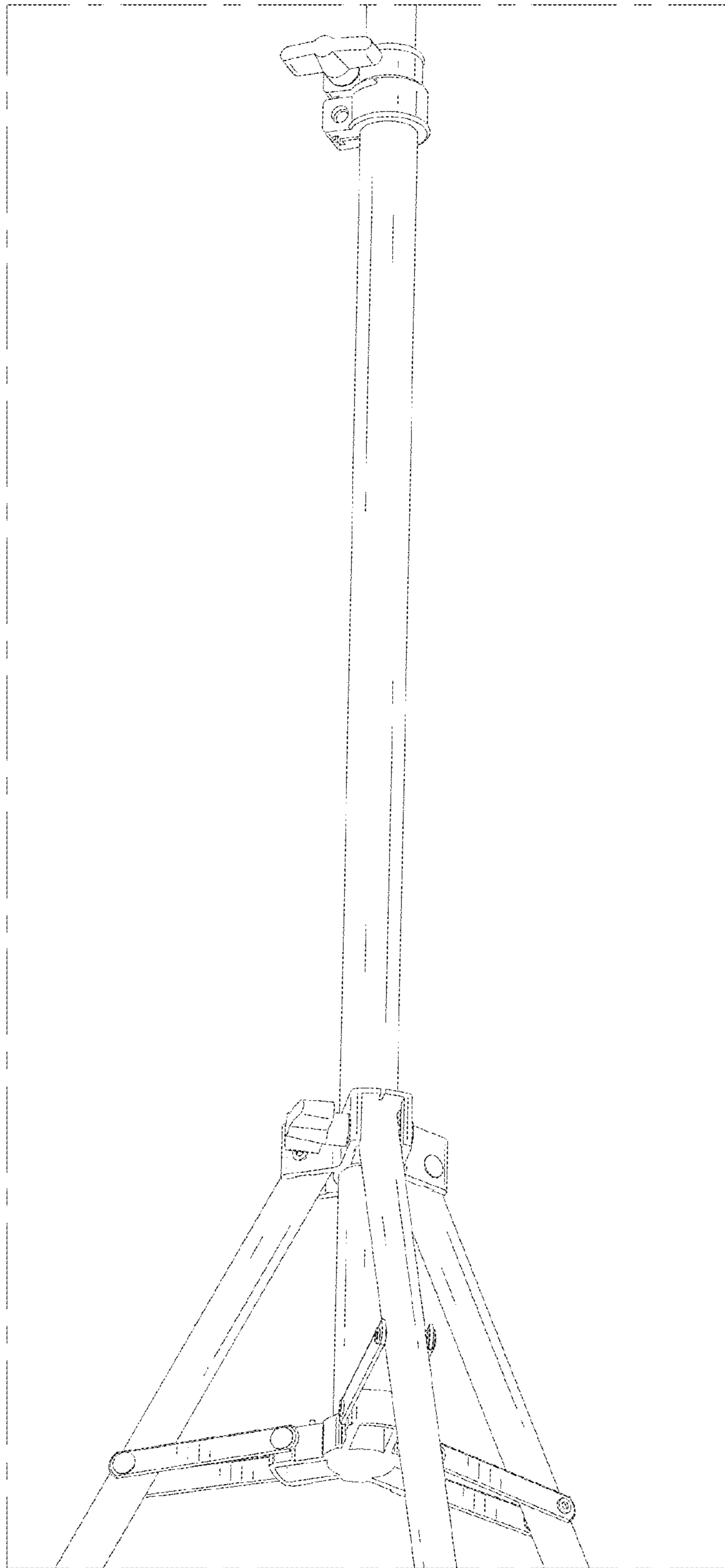


FIG. 11

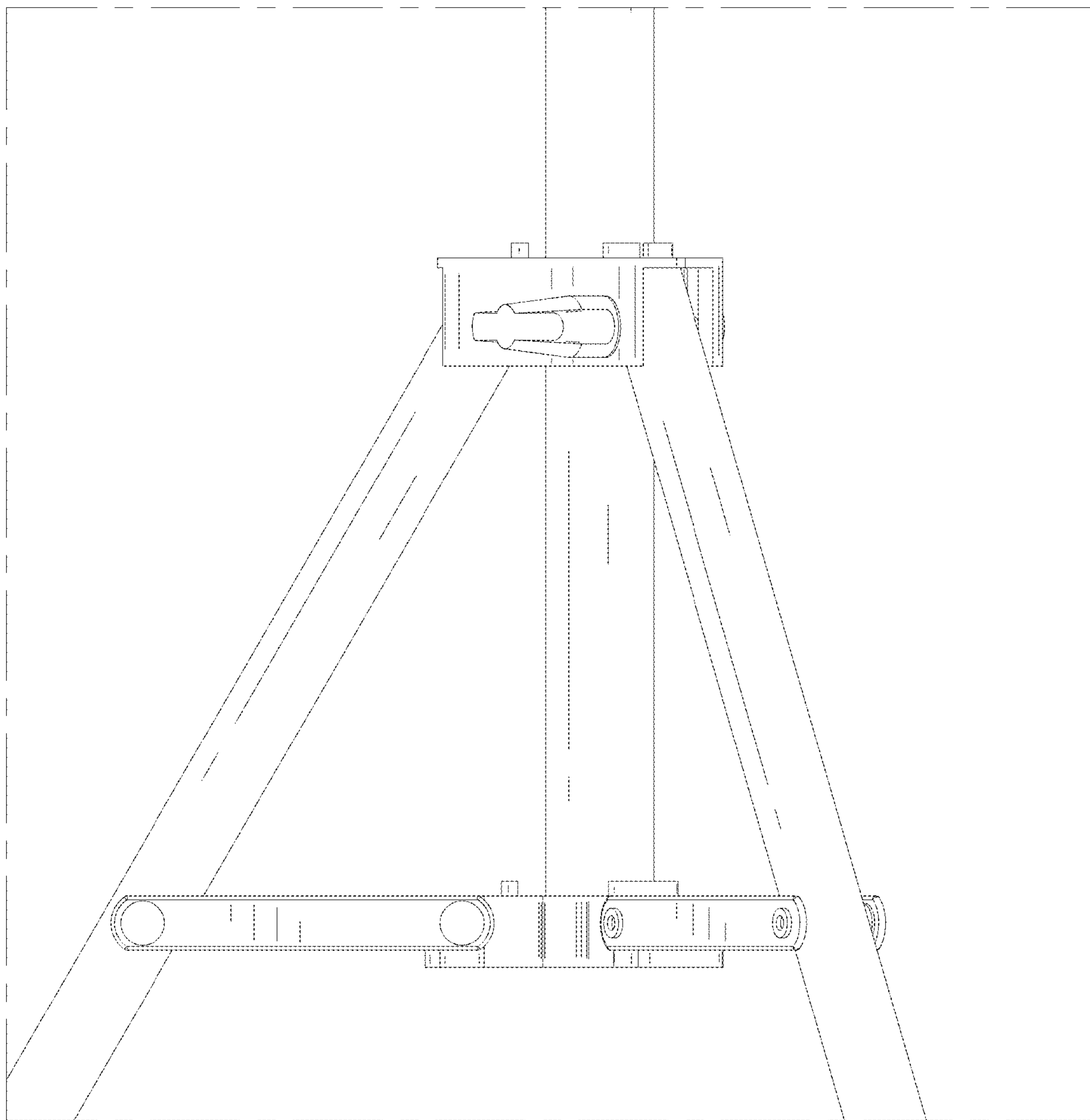


FIG. 12

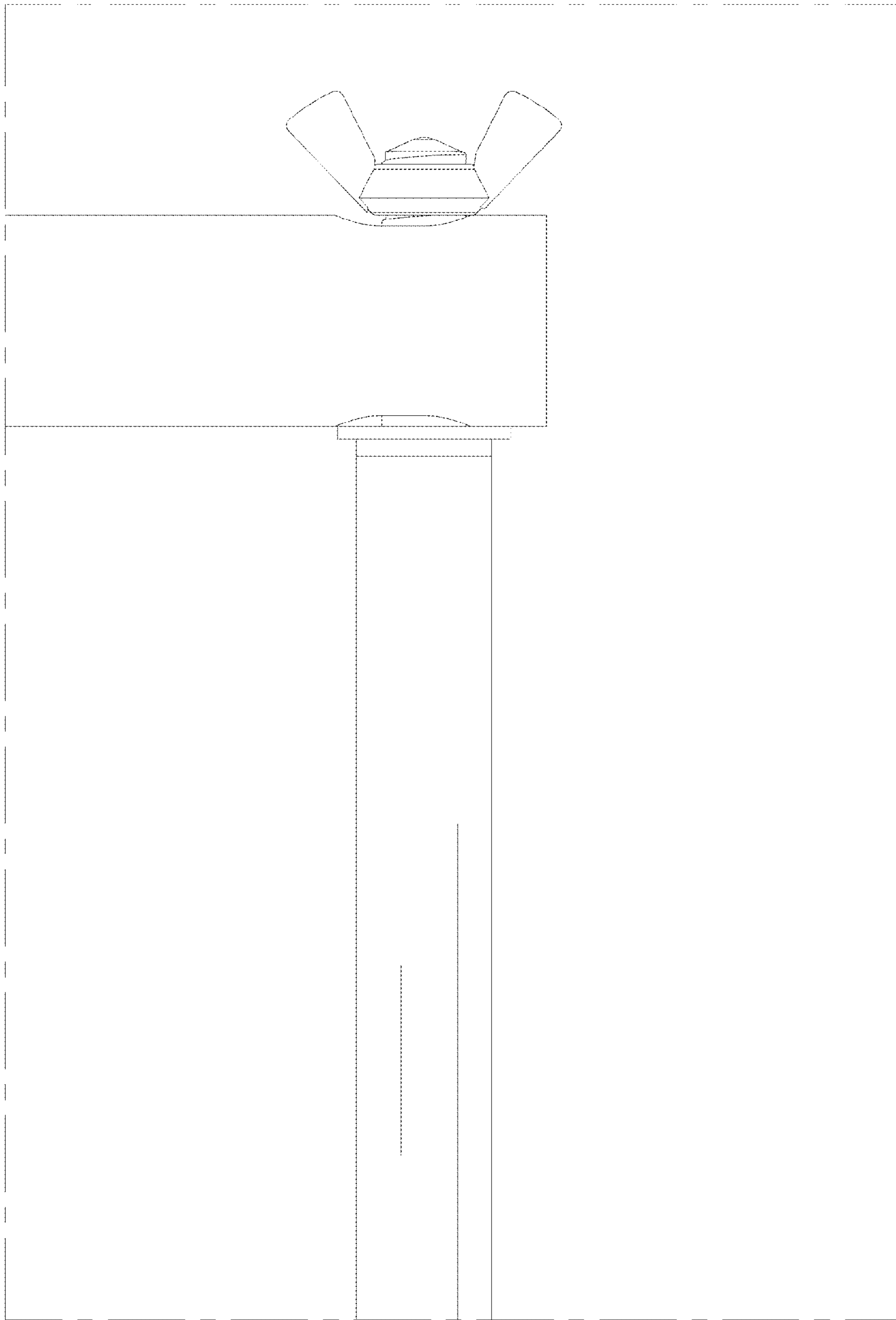


FIG. 13