



US00D947925S

(12) **United States Design Patent**
Day et al.

(10) **Patent No.:** **US D947,925 S**

(45) **Date of Patent:** **** Apr. 5, 2022**

- (54) **UNDERWATER CAMERA**
- (71) Applicant: **X Development LLC**, Mountain View, CA (US)
- (72) Inventors: **Matthew David Day**, Oakland, CA (US); **Matthew Messana**, Sunnyvale, CA (US); **Stephen Duane Dorow**, San Francisco, CA (US); **Jacques Gagne**, Los Gatos, CA (US); **Neil Davé**, San Mateo, CA (US); **Barnaby John James**, Los Gatos, CA (US)
- (73) Assignee: **X Development LLC**, Mountain View, CA (US)

D537,858 S * 3/2007 Griffin 396/27
 D647,554 S * 10/2011 Yim D16/204
 8,515,269 B2 * 8/2013 Londeree A01K 97/00
 396/25
 8,544,643 B2 * 10/2013 Yim G03B 17/08
 206/316.2
 D750,680 S * 3/2016 Chen D16/200

(Continued)

FOREIGN PATENT DOCUMENTS

AU 100459 5/1986
 AU 102450 12/1986

(Continued)

(**) Term: **15 Years**

(21) Appl. No.: **29/712,904**

(22) Filed: **Nov. 12, 2019**

(51) **LOC (13) Cl.** **16-01**

(52) **U.S. Cl.**
USPC **D16/204; D16/202**

(58) **Field of Classification Search**
USPC D16/200–206, 208, 218, 219; D21/514;
348/373–376; 396/535, 539–541
CPC G03B 15/03; G03B 17/02; G03B 17/04;
G03B 17/56; G03B 19/04; H04N 5/2251;
H04N 5/2252; H04N 5/2253; H04N
5/2254; H04N 2101/00

See application file for complete search history.

(56) **References Cited**

U.S. PATENT DOCUMENTS

D187,248 S 2/1960 Sampson
 D215,498 S 10/1969 Ceccacci
 D307,155 S 4/1990 Forsater
 D318,057 S * 7/1991 Kneebone D16/204
 D411,217 S * 6/1999 McBride D16/204
 D418,152 S * 12/1999 McBride D16/204
 D507,588 S * 7/2005 Cummings D16/204

CN Notice of Allowance in Chinese Appln. No. 202030212804.4, dated Jul. 23, 2020, 4 pages (with English translation).

(Continued)

Primary Examiner — Ramzi Almatrahi

(74) *Attorney, Agent, or Firm* — Fish & Richardson P.C.

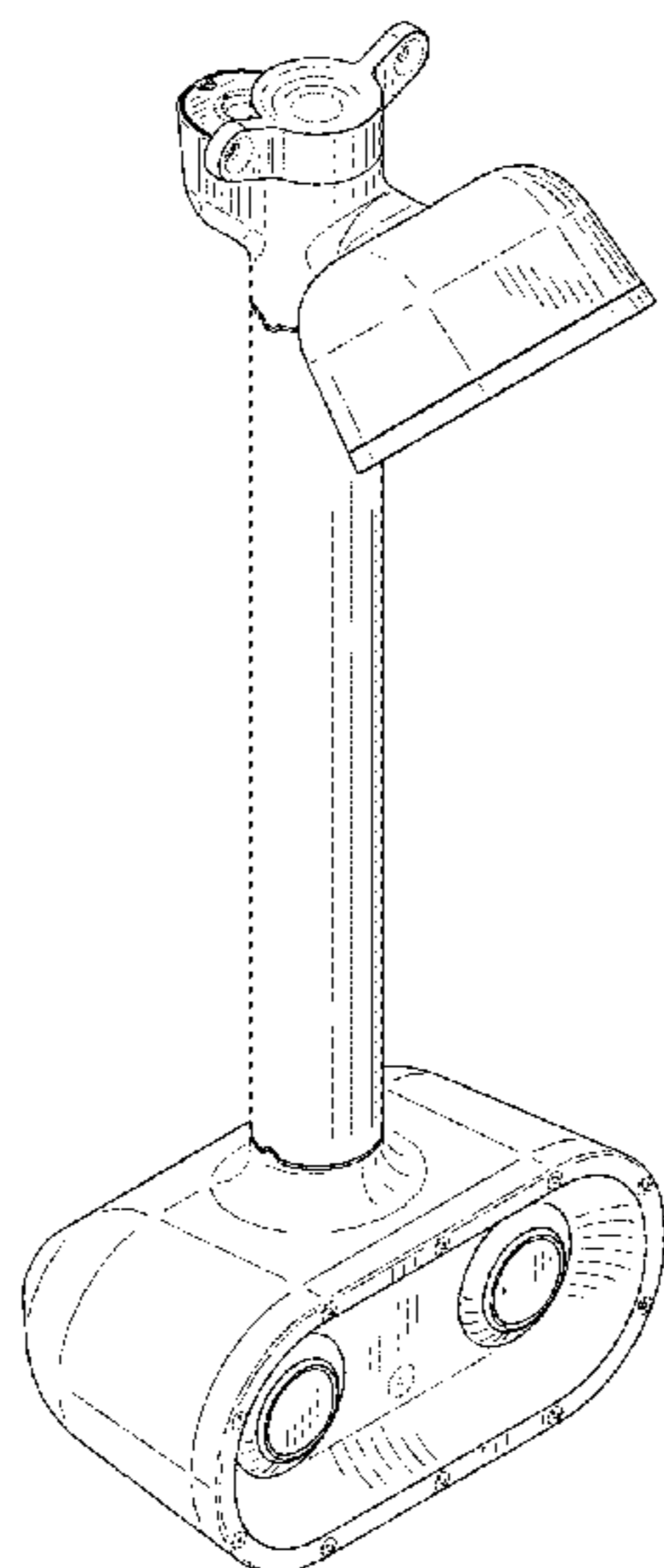
(57) **CLAIM**

The ornamental design for an underwater camera, as shown and described.

DESCRIPTION

FIG. 1 is a front elevation view of our underwater camera showing our new design.
 FIG. 2 is a back elevation view thereof;
 FIG. 3 is a right side elevation view thereof;
 FIG. 4 is a left side elevation view thereof;
 FIG. 5 is a top plan view thereof;
 FIG. 6 is a bottom plan view thereof; and,
 FIG. 7 is a front perspective view thereof.
 The broken lines depict portions of the underwater camera, in which the design is embodied that form no part of the claimed design.

1 Claim, 6 Drawing Sheets



(56)

References Cited

U.S. PATENT DOCUMENTS

D821,476 S	*	6/2018	Martin	D16/202
D826,310 S		8/2018	Wang et al.	
D835,698 S		12/2018	Darty et al.	
D850,510 S		6/2019	Austin et al.	
D865,027 S		10/2019	Hayashi	
D866,647 S		11/2019	Kim et al.	
D894,992 S		9/2020	Cui	
D896,871 S		9/2020	Chang et al.	
D898,099 S		10/2020	Cui et al.	
D911,415 S		2/2021	Fang	
D912,115 S		3/2021	Rembisz et al.	
D912,118 S		3/2021	Day et al.	
D914,794 S		3/2021	Jeong et al.	
2018/0132459 A1		5/2018	Baba	
2020/0113158 A1		4/2020	Rishi	

FOREIGN PATENT DOCUMENTS

AU		122416		11/1993
AU		121787		3/1994
EM	EU0077463670001 S			3/2020
EM	EU0077476960001 S			3/2020
EM	EU0078772460001 S			5/2020
EM	EU008424717000			2/2021
EM	EU0084282540001 S			2/2021
EM	EU0085850530001 S			6/2021
EM	EU0086032520001 S			7/2021
SG		30202007966 U		5/2020
WO	WO 2020/046524			3/2020

OTHER PUBLICATIONS

JP Office Action in Japanese Appln. No. 2020-009340, dated Jul. 28, 2020, 3 pages (with English summary).
 backscatter.com [online], "Sea & Sea DX-6G Underwater Camera & Housing Set," Aug. 2020, retrieved on Aug. 5, 2021, retrieved from URL<<https://www.backscatter.com/Sea-Sea-DX-6G-Underwater-Camera-Housing-Set>>, 9 pages.
 bhphotovideo.com [online], "SeaLife Micro 3.0 Digital Underwater Camera," 2020, retrieved on Aug. 5, 2021, retrieved from URL<https://www.bhphotovideo.com/c/product/1558994-REG/sealife_sl550_micro_3_0_digital_underwater.html>, 5 pages.
 "es.made-in-china.com [online], "Inspection camera borescope pipeline Periscope,"" 2017, retrieved on Aug. 5, 2021, retrieved from URL<https://es.made-in-china.com/co_easysight/product_Pipeline-BoreScope-Inspection-Camera-Periscope_eiyyihriy.html>, 13 pages".
 Office Action in Chilean Appln. No. 202001247, dated Jul. 14. 2021, 24 pages (with English summary).
 rpwtnewsletter.wordpress.com [online], "Ron Perrin Water Technologies, Inc. Newsletter," Aug. 20, 2016, retrieved on Aug. 5, 2021, retrieved from URL<<https://rpwtnewsletter.wordpress.com/>>, 37 pages.
 ukinspectioncamera.co.uk [online], "Telescopic Underwater Inspection Camera," 2020, retrieved on Aug. 5, 2021, retrieved from URL<<https://www.ukinspectioncamera.co.uk/telescopic-underwater-inspection->>, 4 pages.
 ukinspectioncamera.co.uk [online], "Underwater Inspection Camera with 7" DVR Monitor," 2020, retrieved on Aug. 5, 2021, retrieved from URL<<https://www.ukinspectioncamera.co.uk/digital-inspection-cameras/underwater-inspection-camera-with-7-dvr-monitor>>, 6 pages.

* cited by examiner

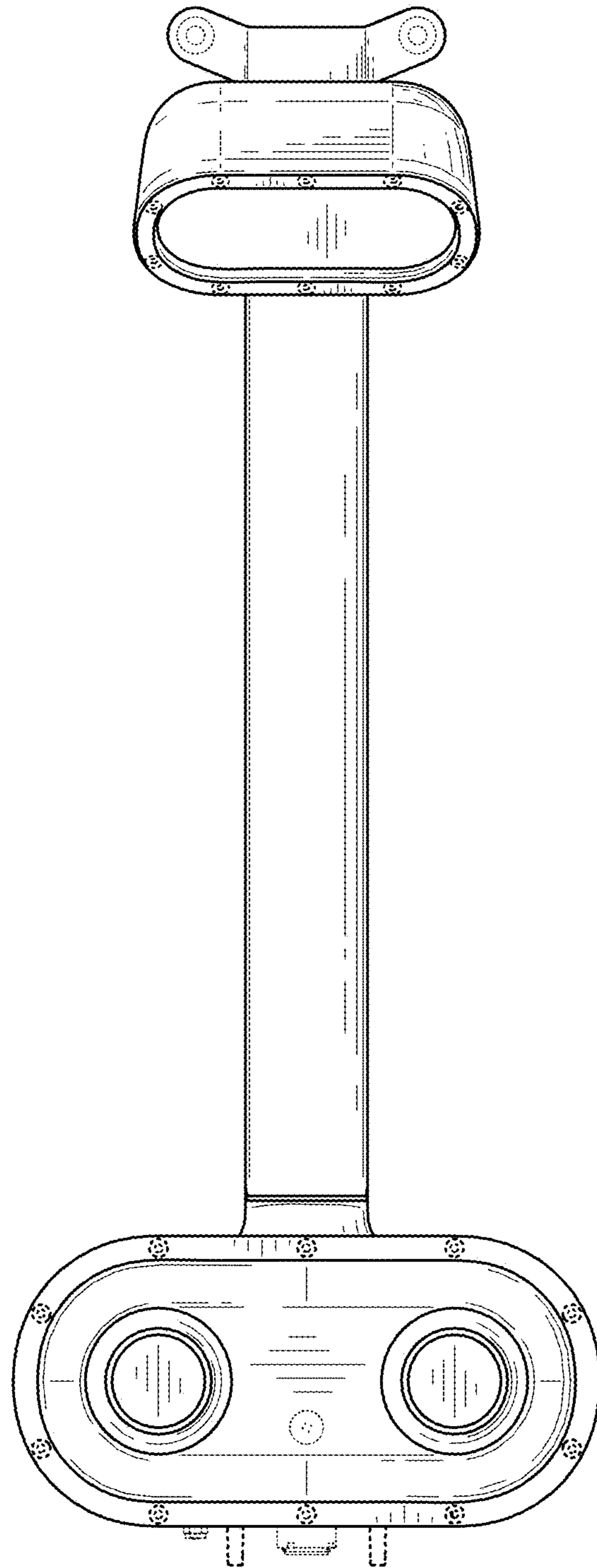


FIG. 1

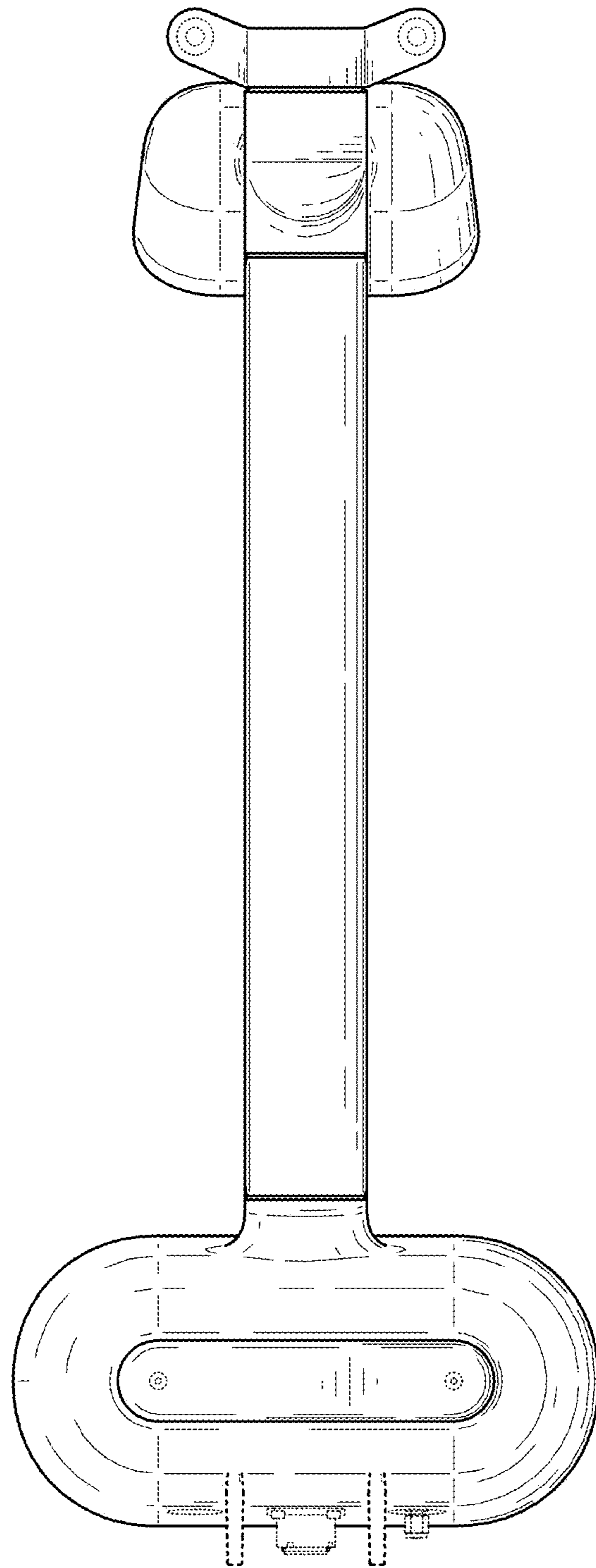


FIG. 2

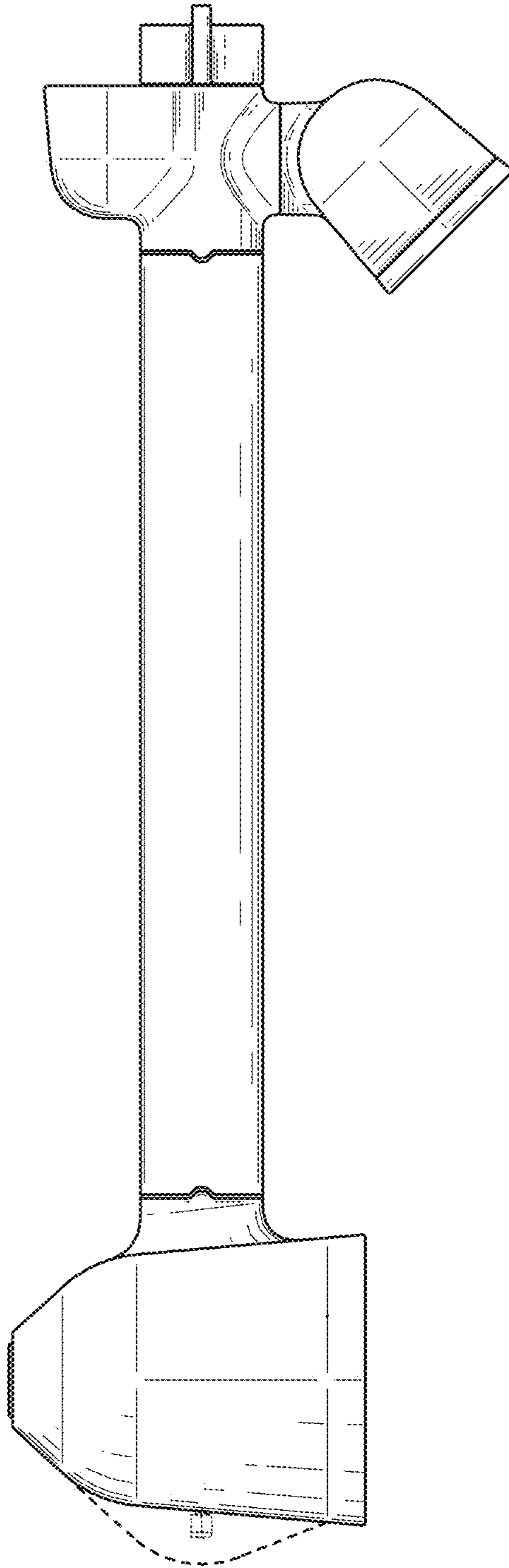


FIG. 3

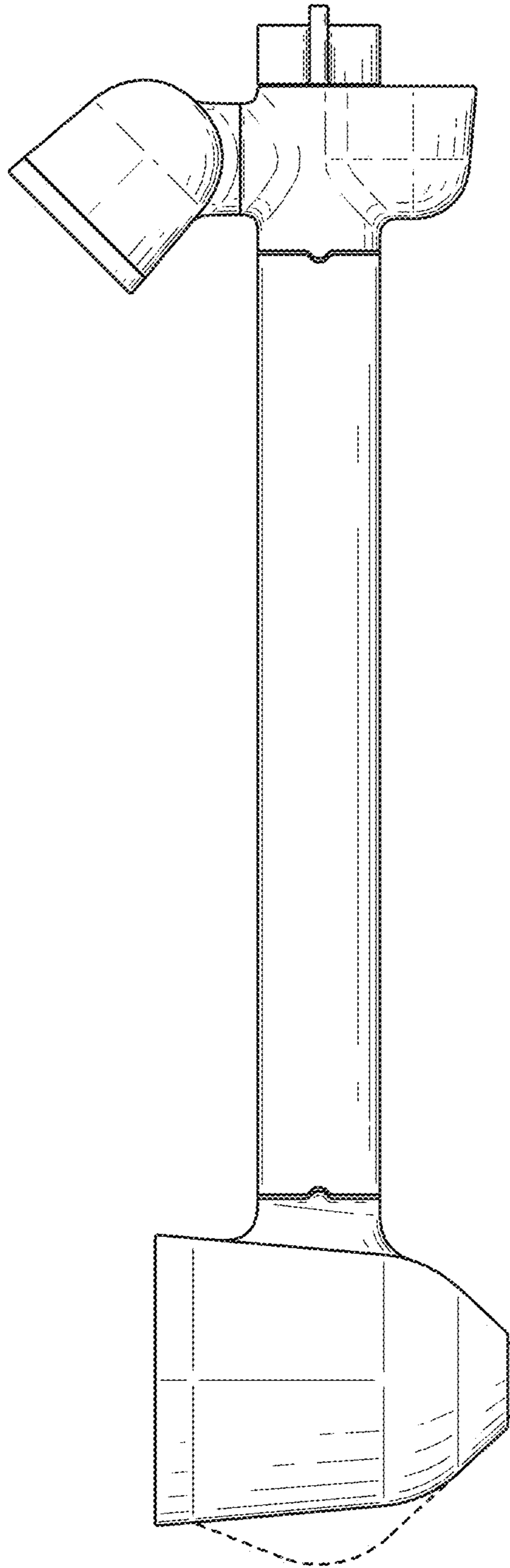


FIG. 4

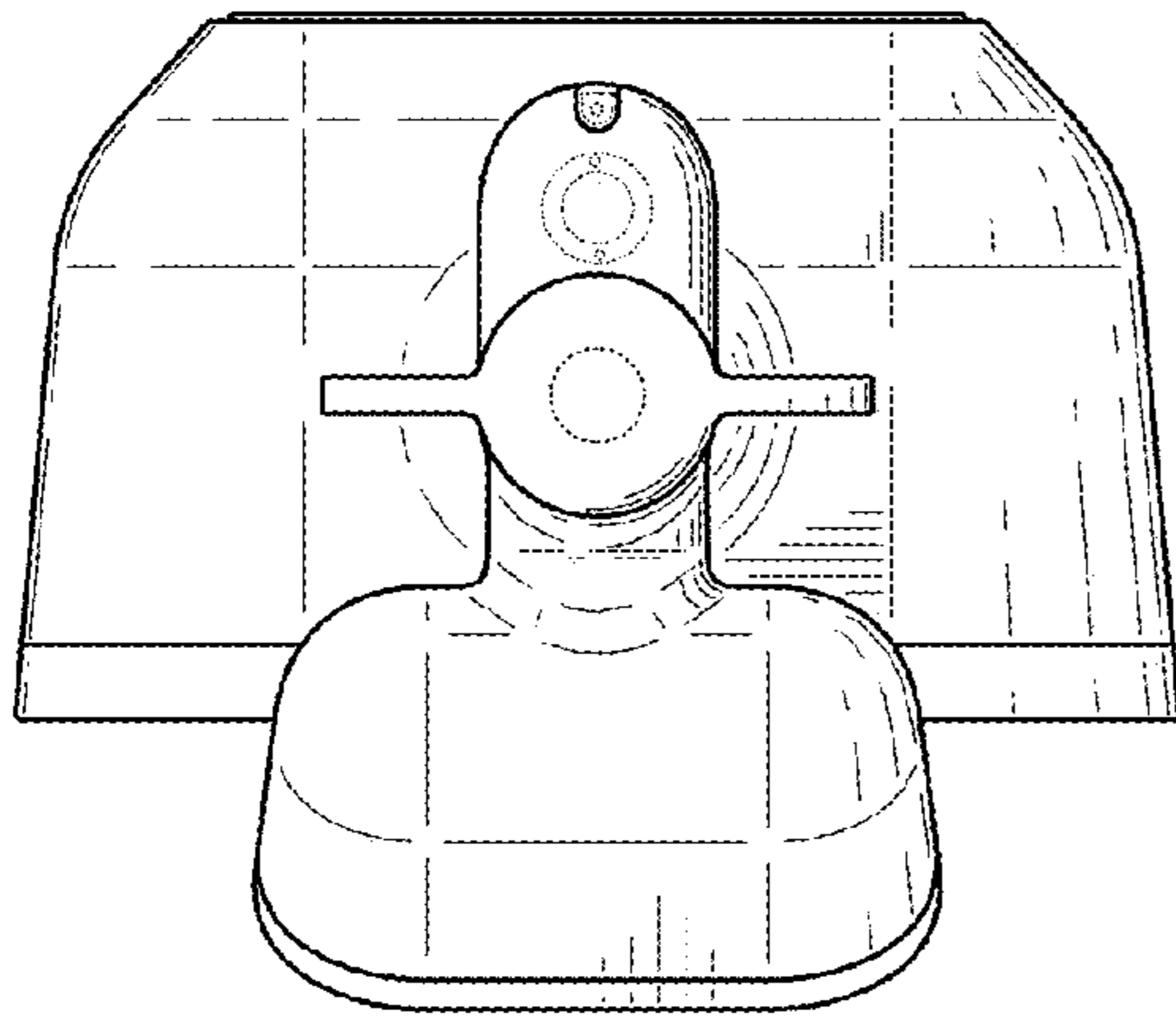


FIG. 5

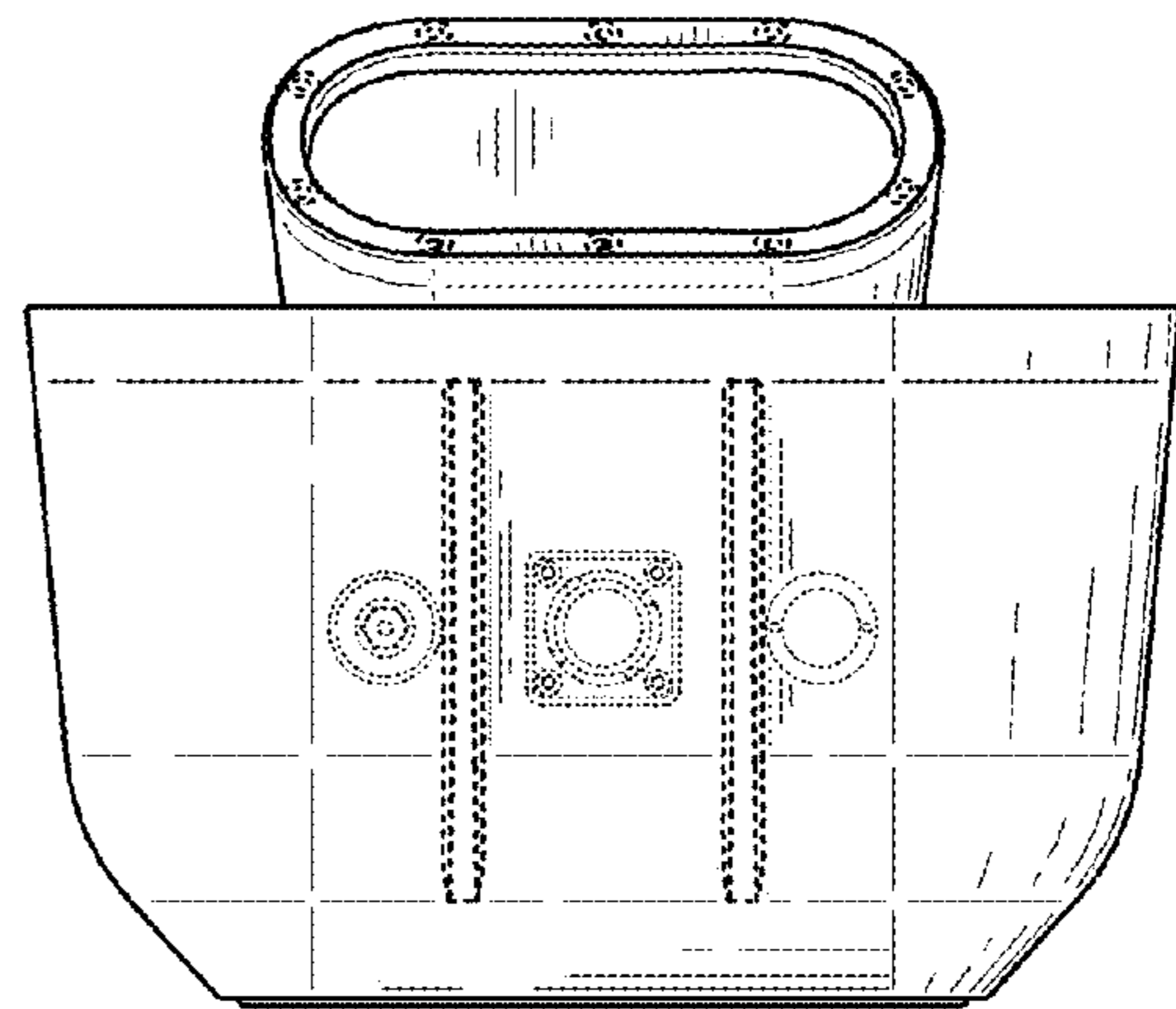


FIG. 6

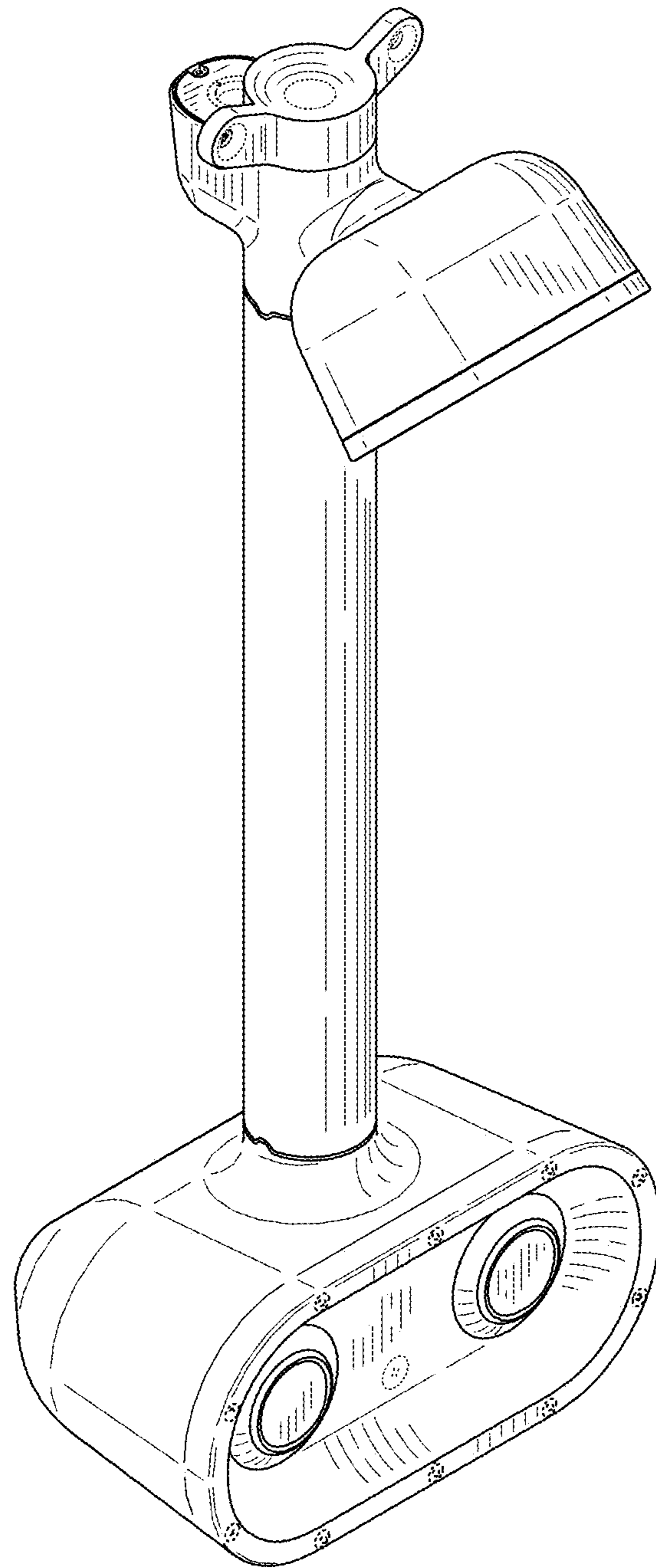


FIG. 7