



US00D947922S

(12) **United States Design Patent** (10) **Patent No.:** **US D947,922 S**
Guo (45) **Date of Patent:** **** Apr. 5, 2022**

(54) **MONITORING CAMERA**

(56) **References Cited**

(71) Applicant: **Hangzhou Hikvision Digital Technology Co., Ltd., Zhejiang (CN)**

U.S. PATENT DOCUMENTS

(72) Inventor: **Lichen Guo, Zhejiang (CN)**

D529,064 S *	9/2006	Badalian	D16/203
D636,424 S *	4/2011	Lin	D16/203
D711,451 S *	8/2014	Katsuyama	D16/208
D763,341 S *	8/2016	Hinkel	D16/203
D769,345 S *	10/2016	Hinkel	D16/203
D795,940 S *	8/2017	Huang	D16/203
D815,181 S *	4/2018	Ahman	D16/219
D818,514 S *	5/2018	Ahman	D16/203
D820,897 S *	6/2018	Rusz	D16/203
D830,442 S *	10/2018	Vigren	D16/203
D831,090 S *	10/2018	Ahman	D16/203
D855,676 S *	8/2019	Emami	D16/203

(73) Assignee: **HANGZHOU HIKVISION DIGITAL TECHNOLOGY CO., LTD., Hangzhou (CN)**

(**) Term: **15 Years**

* cited by examiner

(21) Appl. No.: **29/698,741**

Primary Examiner — Ramzi Almatrahi

(22) Filed: **Jul. 19, 2019**

(74) *Attorney, Agent, or Firm* — Ladas & Parry LLP

(30) **Foreign Application Priority Data**

Jan. 28, 2019 (CN) 201930047388.4

(57) **CLAIM**

(51) **LOC (13) Cl.** **16-01**

The ornamental design for a monitoring camera, as shown and described.

(52) **U.S. Cl.**
USPC **D16/203**

DESCRIPTION

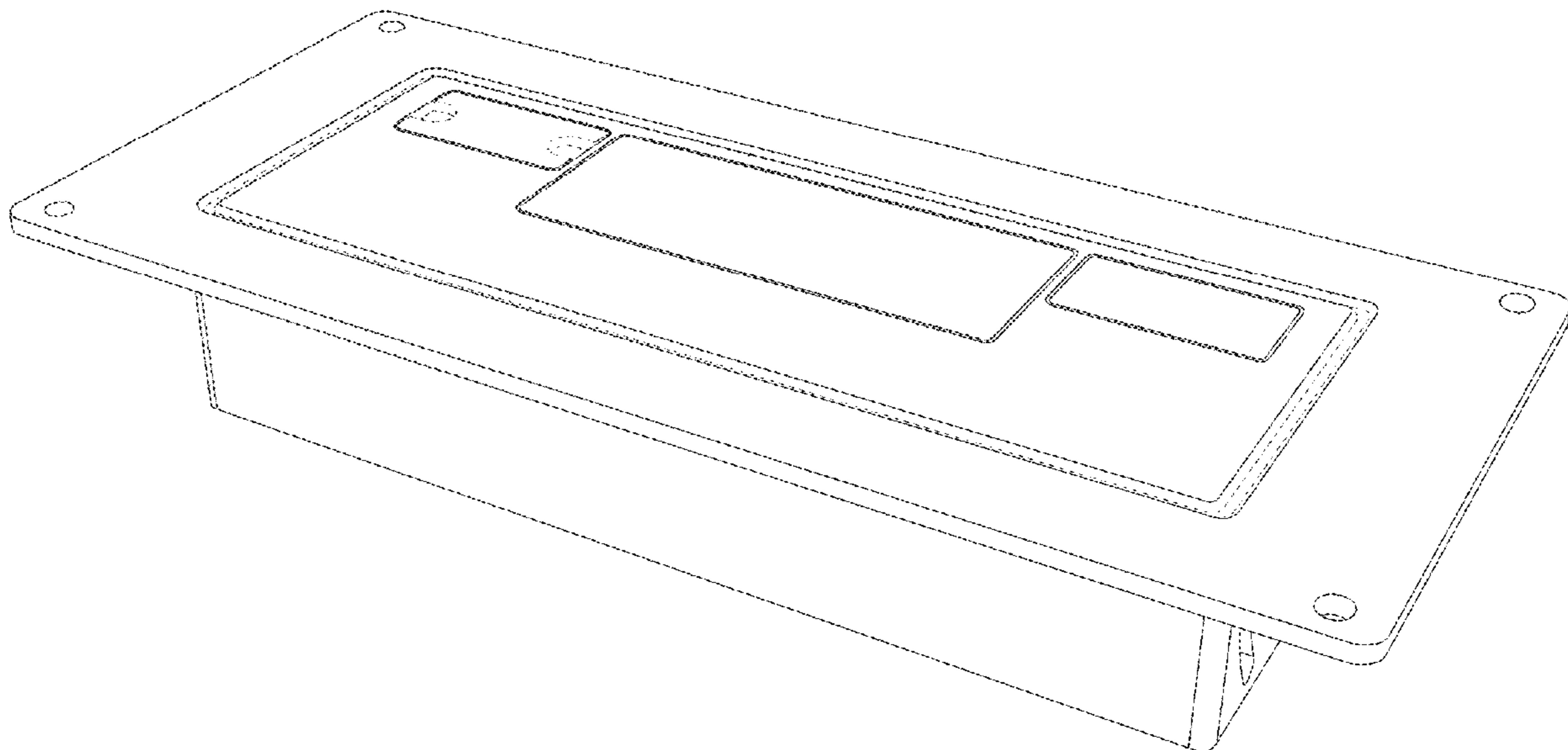
(58) **Field of Classification Search**
USPC D16/200, 202–206, 218, 219, 242;
348/143, 148, 151, 373–376; 396/419,
396/427, 535, 539–541
CPC G03B 17/02; G03B 19/04; G03B 17/56;
G03B 17/04; G03B 15/03; H04N 5/2251;
H04N 5/2252; H04N 5/2253; H04N
5/2254; H04N 7/181; H04N 7/183; H04N
7/18; G08B 13/1963; G08B 13/19619;
G08B 13/19632; F16M 11/04; F16M
13/00

FIG. 1 is a top plan view of monitoring camera showing my new design;
FIG. 2 is a bottom plan view thereof;
FIG. 3 is a left side elevational view thereof
FIG. 4 is a right side elevational view thereof;
FIG. 5 is a front elevational view thereof;
FIG. 6 is a rear elevational view thereof; and,
FIG. 7 is a perspective view thereof.

The broken lines depict portions of the monitoring camera in which the design is embodied that form no part of the claimed design.

See application file for complete search history.

1 Claim, 7 Drawing Sheets



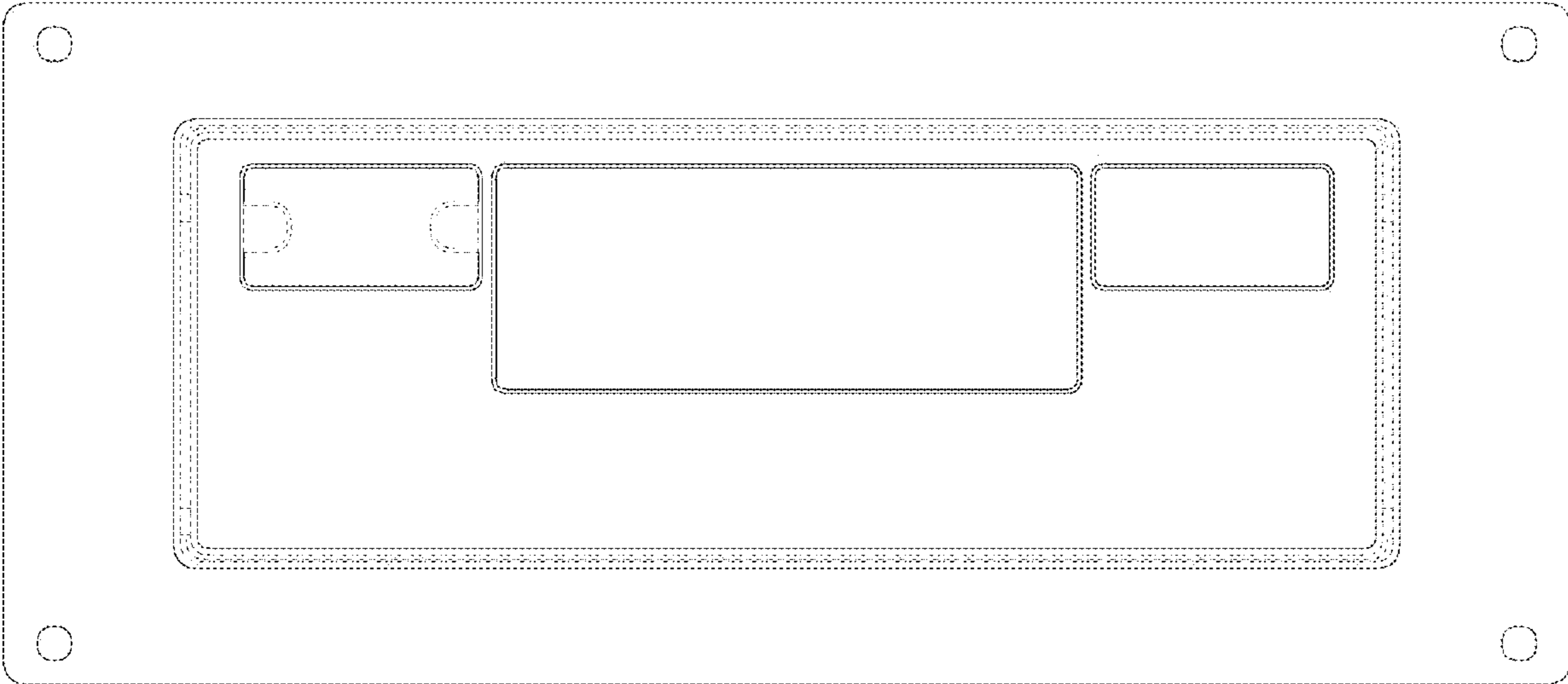


FIG. 1

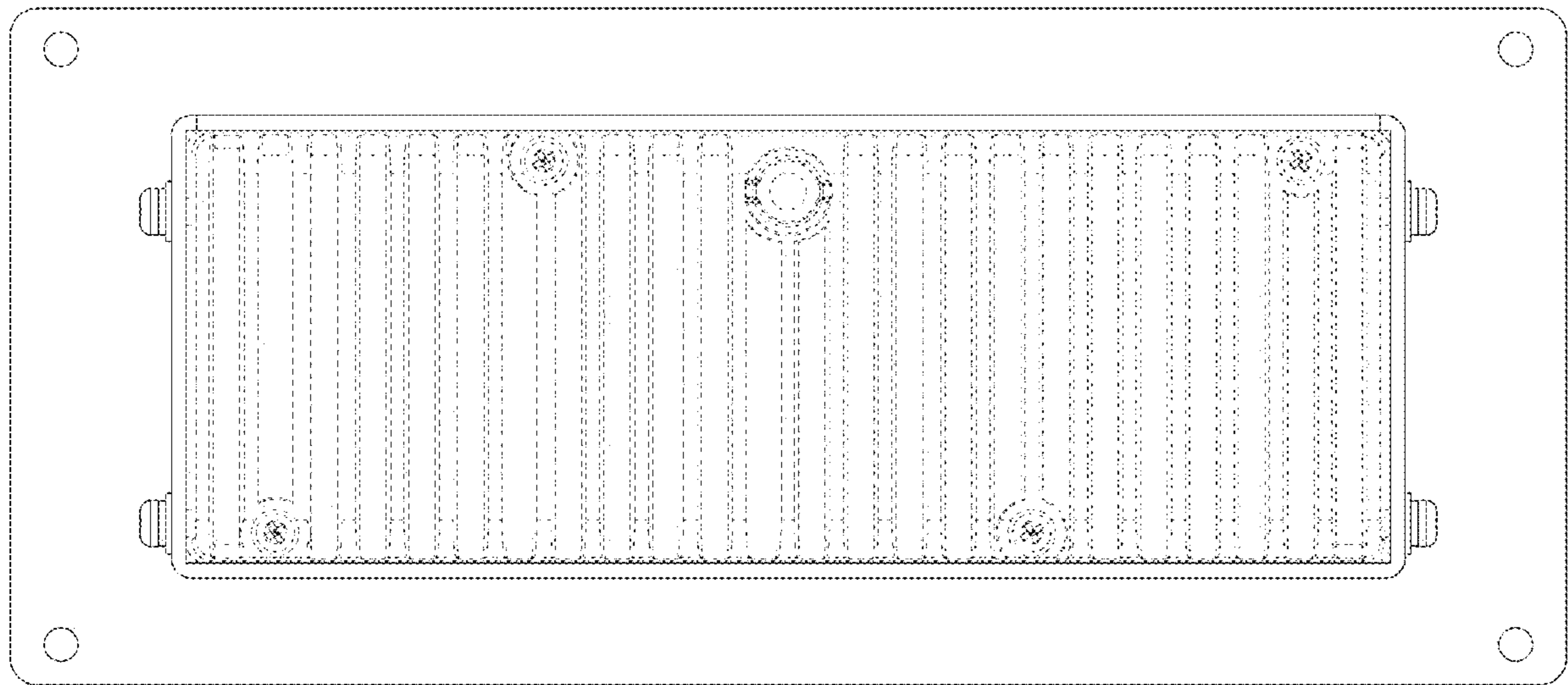


FIG. 2

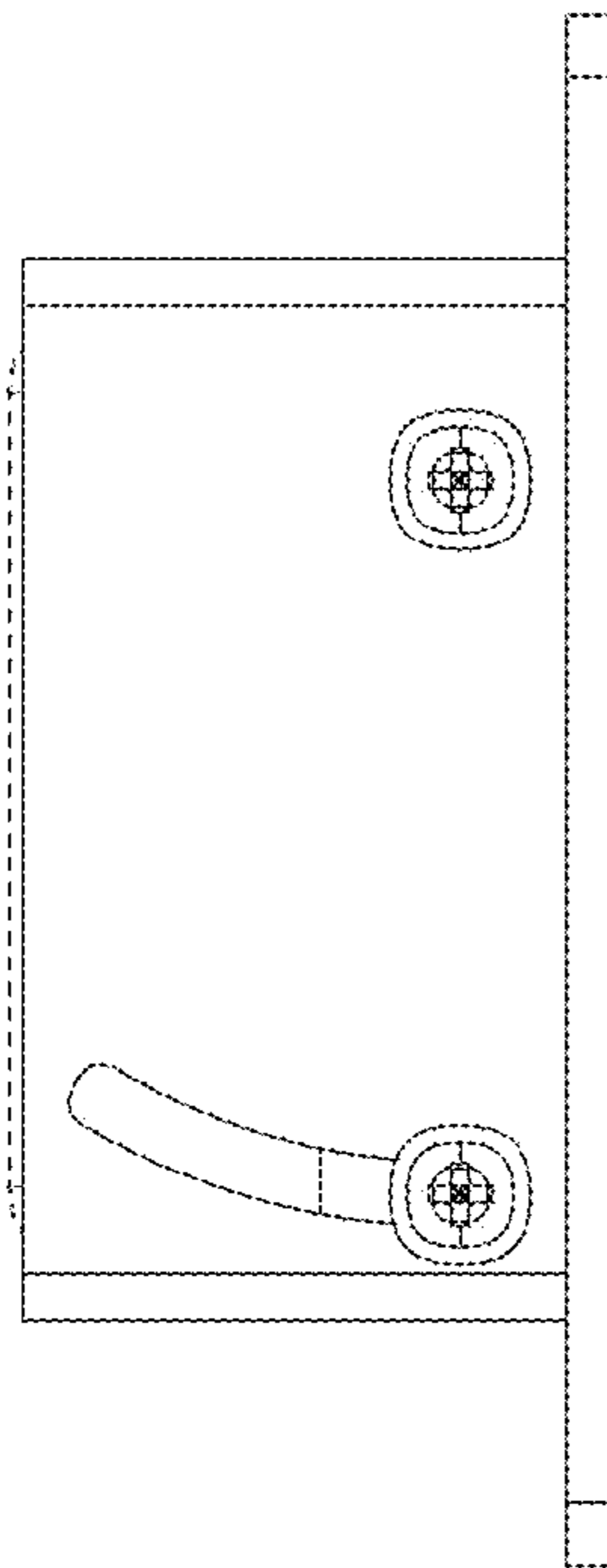


FIG. 3

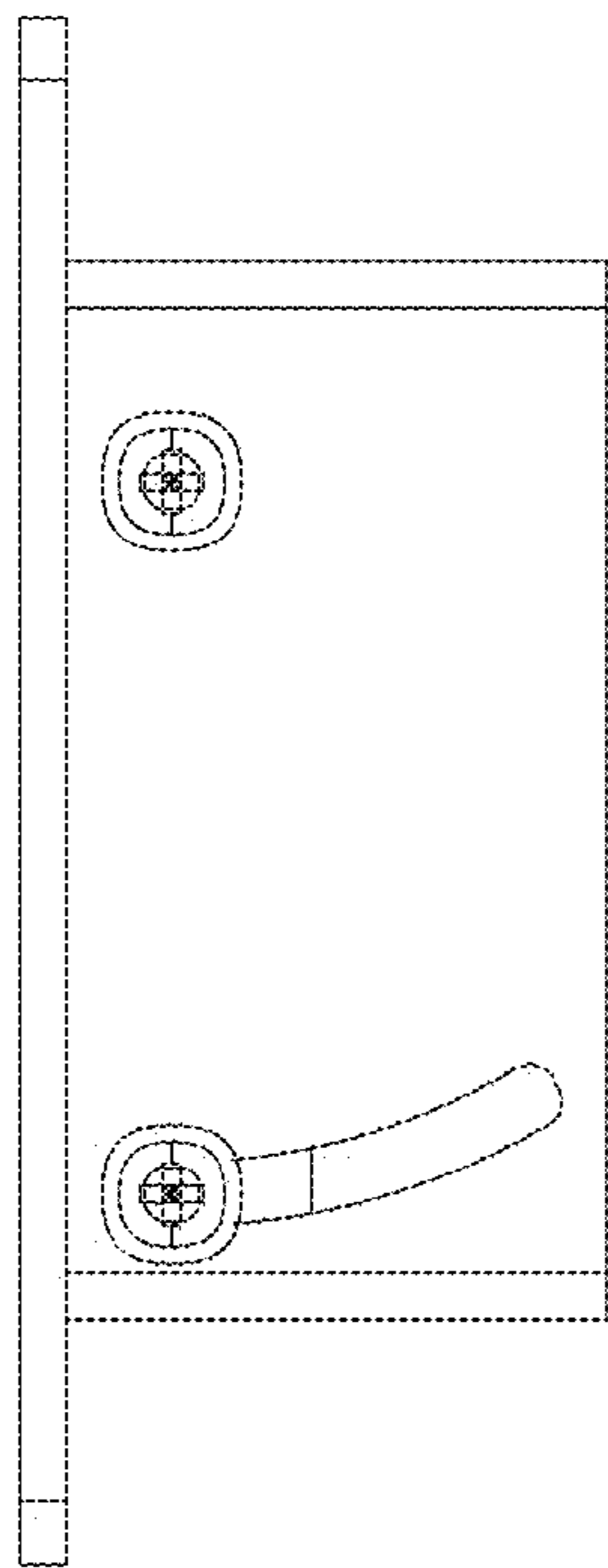


FIG. 4

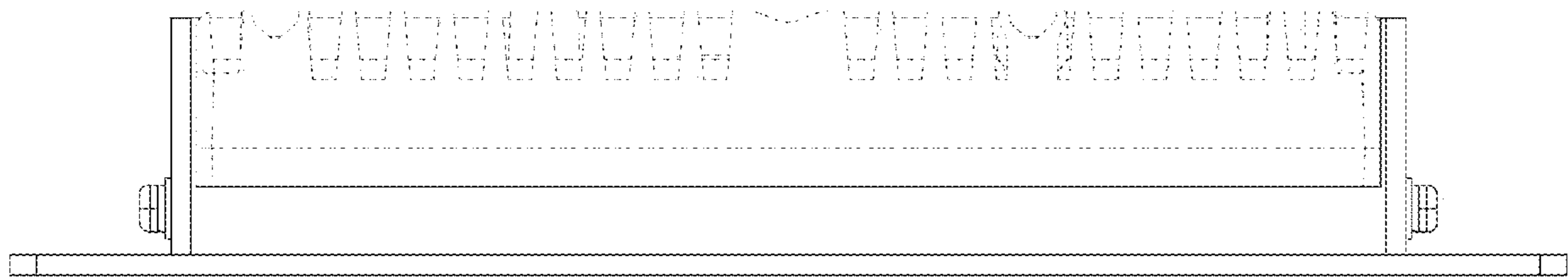


FIG. 5

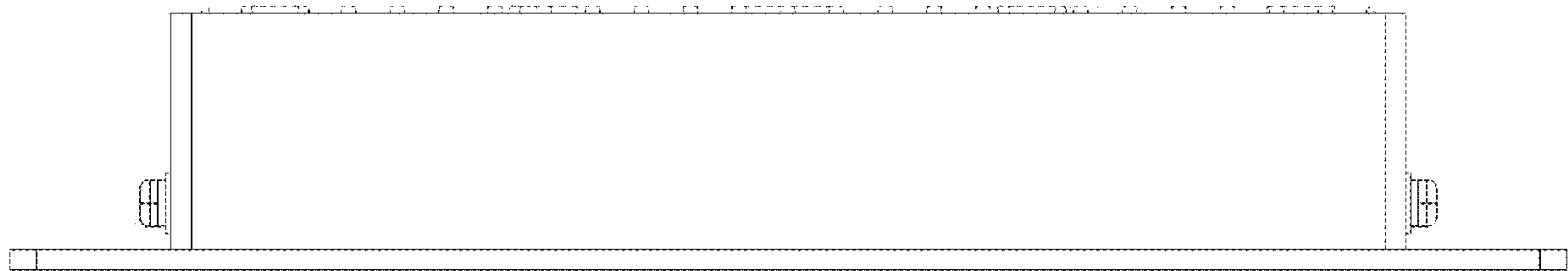


FIG. 6

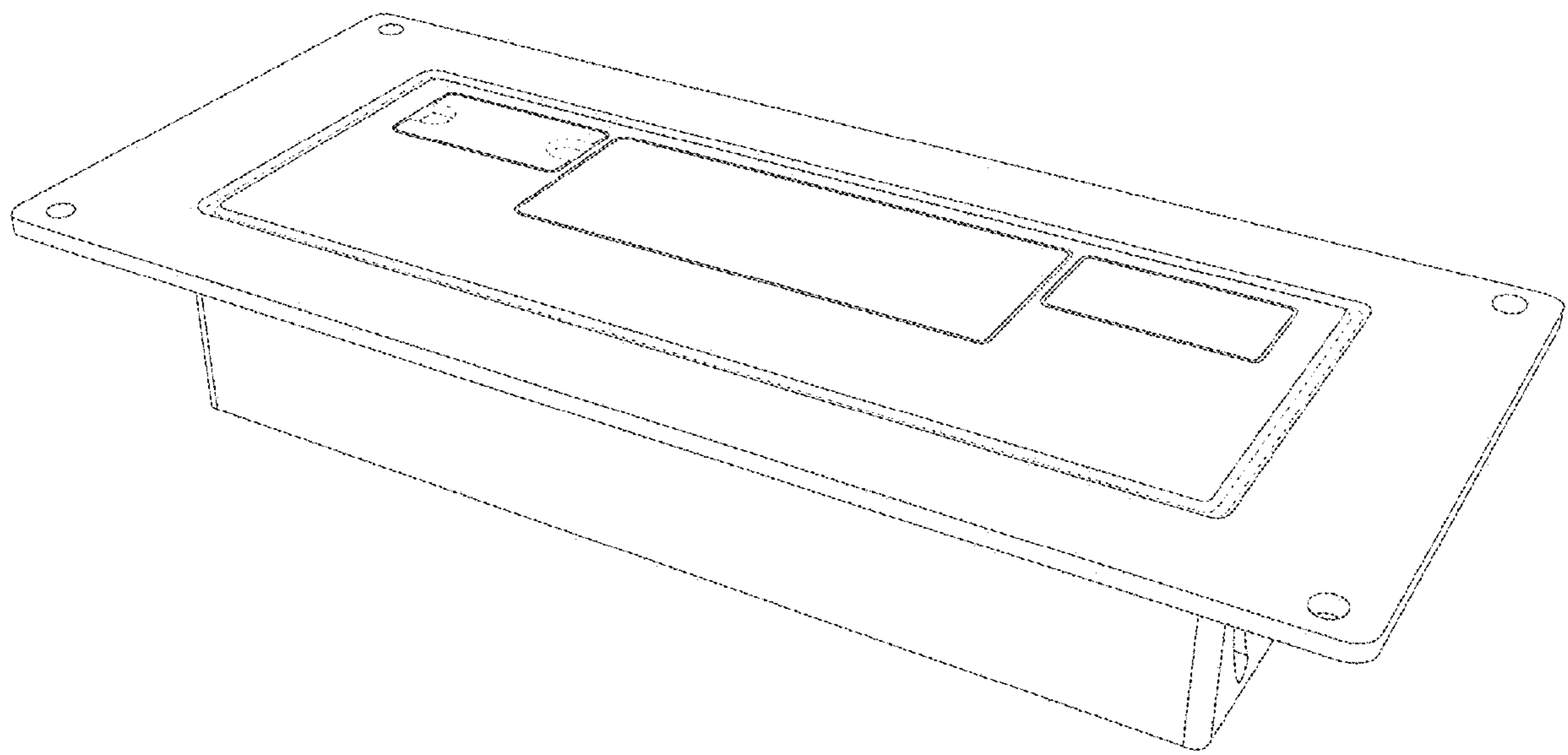


FIG. 7