



US00D947920S

(12) **United States Design Patent**  
**Muhlenkamp, IV et al.**

(10) **Patent No.:** **US D947,920 S**  
(45) **Date of Patent:** **\*\* Apr. 5, 2022**

- (54) **CAMERA HOUSING**
- (71) Applicant: **GoPro, Inc.**, San Mateo, CA (US)
- (72) Inventors: **John George Muhlenkamp, IV**,  
Brisbane, CA (US); **Zhijun Guo**,  
Shenzhen (CN)
- (73) Assignee: **GoPro, Inc.**, San Mateo, CA (US)
- (\*\*) Term: **15 Years**
- (21) Appl. No.: **29/740,012**
- (22) Filed: **Jun. 30, 2020**
- (51) **LOC (13) Cl.** ..... **16-01**
- (52) **U.S. Cl.**  
USPC ..... **D16/200**
- (58) **Field of Classification Search**  
USPC ..... D16/200, 202-204, 208, 211, 218, 219,  
D16/237, 242; D3/263, 267, 268;  
(Continued)

(56) **References Cited**

**U.S. PATENT DOCUMENTS**

D96,348 S     7/1935 Teaque  
D150,289 S     7/1948 Crapsey  
(Continued)

**FOREIGN PATENT DOCUMENTS**

EP     0025866020001 B2     2/2015  
EP     0025866020002 B1     2/2015  
JP     2002006389 A     1/2002

**OTHER PUBLICATIONS**

‘Custom Surf Housing Examples for Video Cameras,’ Sexton Photographies, The Sexton Company LLC, 2004, [Online] [Retrieved on Nov. 16, 2008] Retrieved from the Internet&lt;URL:http://www.thesextonco.com/ch.sub.--surf.sub.--video.html- &gt;. 3 pages.

(Continued)

*Primary Examiner* — Ramzi Almatrahi  
(74) *Attorney, Agent, or Firm* — Young Basile Hanlon & MacFarlane, P.C.

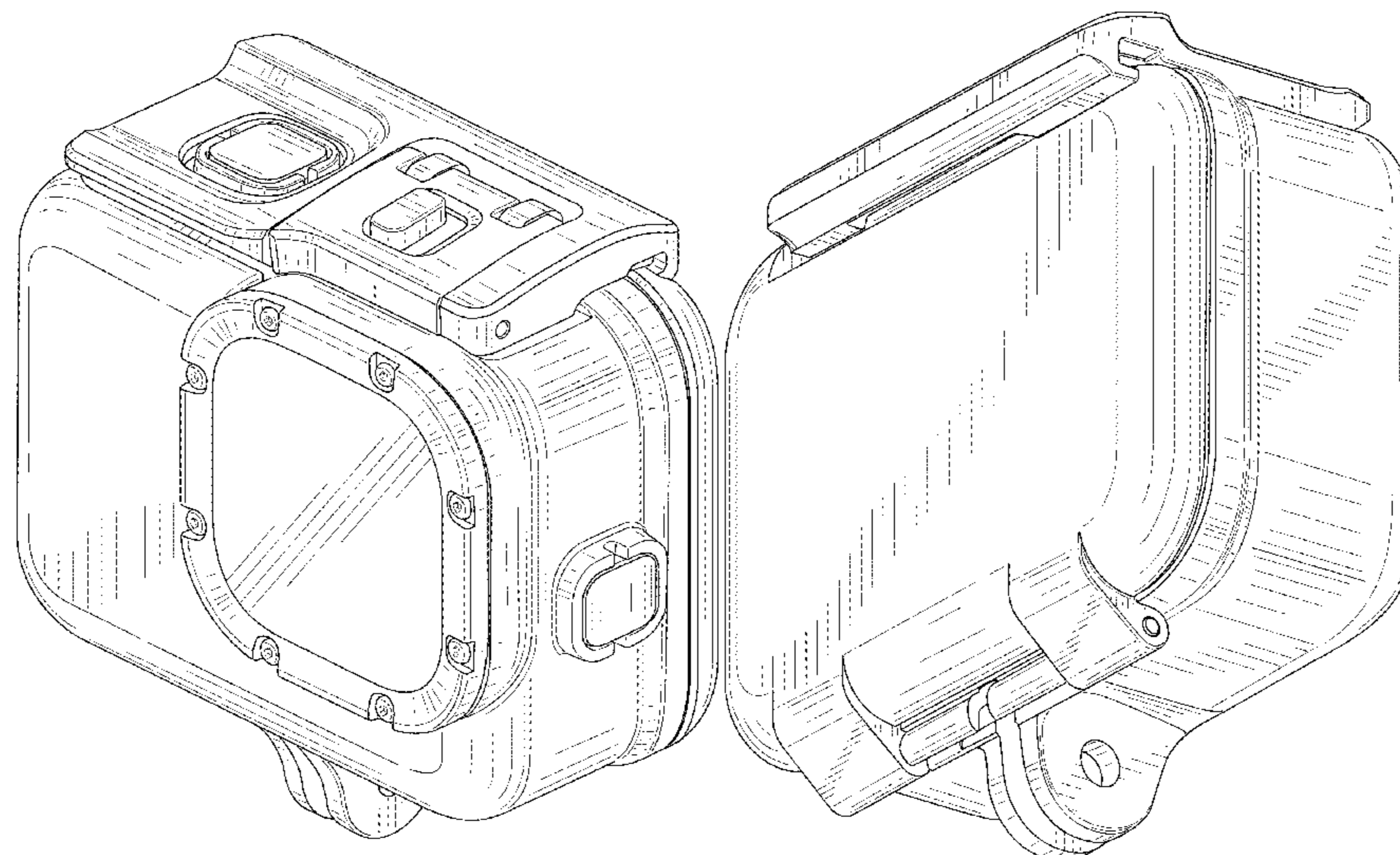
(57) **CLAIM**

The ornamental design for a camera housing, as shown and described.

**DESCRIPTION**

FIG. 1 is a top, front and right side perspective view of a camera housing showing our new design;  
FIG. 2 is a bottom, rear and left side perspective view thereof;  
FIG. 3 is a front elevation view thereof;  
FIG. 4 is a rear elevation view thereof;  
FIG. 5 is a top plan view thereof;  
FIG. 6 is a bottom plan view thereof;  
FIG. 7 is a right side elevation view thereof;  
FIG. 8 is a left side elevation view thereof;  
FIG. 9 is a bottom, rear and left side perspective view of the front cover of the camera housing, shown with the rear door omitted for ease of illustration;  
FIG. 10 is a rear elevation view thereof;  
FIG. 11 is a cross-sectional view thereof, taken along line 11-11 in FIG. 10;  
FIG. 12 is a cross-sectional view thereof, taken along line 12-12 in FIG. 10;  
FIG. 13 is a top, front and right side perspective view of the rear door of the camera housing, shown with the camera housing omitted for ease of illustration;  
FIG. 14 is a front elevation view thereof;  
FIG. 15 is a cross-sectional view thereof, taken along line 15-16 in FIG. 14; and,  
FIG. 16 is a cross-sectional view thereof, taken along line 16-16 in FIG. 14.  
The broken lines depict portions of the camera housing that form no part of the claimed design.

**1 Claim, 15 Drawing Sheets**



# US D947,920 S

Page 2

(58) **Field of Classification Search**

USPC ..... 248/176.1, 187.1; 348/81, 360, 373-376,  
 348/835; 396/25, 27-29, 419, 535,  
 396/539-541  
 CPC ..... G03B 15/03; G03B 17/02; G03B 17/04;  
 G03B 17/08; G03B 17/56; G03B 19/04;  
 H04N 5/2251; H04N 5/2252; H04N  
 5/2253; H04N 5/2254; A45C 11/38  
 See application file for complete search history.

D621,432 S	8/2010	Yim
D622,591 S	8/2010	Biesecker, II
7,768,727 B2	8/2010	Iida
7,801,439 B2	9/2010	Nagata
D635,436 S	4/2011	Barton
D635,437 S	4/2011	Barton
D635,438 S	4/2011	Barton
D635,439 S	4/2011	Barton
D635,440 S	4/2011	Barton
D639,844 S	6/2011	Lee
D640,058 S	6/2011	Molina
D641,388 S	7/2011	Shih
D641,389 S	7/2011	Dastagir
D642,054 S	7/2011	Samartgis
D644,679 S	9/2011	Woodman
D645,725 S	9/2011	Katz
8,014,656 B2	9/2011	Woodman
D646,313 S	10/2011	Woodman
D647,303 S	10/2011	Mish
D647,554 S	10/2011	Yim
D648,363 S	11/2011	Takagi
D648,364 S	11/2011	Tsukamoto
D657,808 S	4/2012	Woodman
D657,811 S	4/2012	Woodman
8,150,248 B1	4/2012	Woodman
D667,041 S	9/2012	Uehara
D668,874 S	10/2012	Robinson
D674,428 S	1/2013	Woodman
D674,429 S	1/2013	Woodman
D684,569 S	6/2013	Willenborg
D685,178 S	7/2013	Lv
8,544,643 B2	10/2013	Yim
D693,114 S	11/2013	Lemanski, Sr.
8,596,890 B2	12/2013	Yim
D699,276 S	2/2014	Samuels
D699,277 S	2/2014	Samuels
D699,947 S	2/2014	To
D700,778 S	3/2014	To
D702,276 S	4/2014	Woodman
D702,277 S	4/2014	Woodman
D702,747 S	4/2014	Woodman
D702,754 S	4/2014	Bould
D710,611 S	8/2014	To
D710,921 S	8/2014	Gioscia
D710,922 S	8/2014	Gioscia
8,837,928 B1	9/2014	Clearman
8,870,475 B1	10/2014	Bennett
D719,811 S	12/2014	Cooper
D721,395 S	1/2015	Woodman
D724,637 S	3/2015	Samuels
D724,638 S	3/2015	Samuels
D725,169 S	3/2015	Gioscia
9,004,783 B1	4/2015	Woodman
D729,515 S	5/2015	Slimane
D732,593 S	6/2015	Woodman
D733,787 S	7/2015	Baker
D733,788 S	7/2015	Baker
D734,799 S	7/2015	Woodman
D735,260 S	7/2015	Bould
D735,790 S	8/2015	Gioscia
D737,879 S	9/2015	Woodman
D739,451 S	9/2015	Gioscia
D740,868 S	10/2015	Gioscia
D740,875 S	10/2015	Woodman
D740,876 S	10/2015	Woodman
D741,394 S	10/2015	Gioscia
D750,146 S	2/2016	Costa
D750,680 S	3/2016	Chen
D751,133 S	3/2016	Gioscia
D752,671 S	3/2016	Harrison
D752,672 S	3/2016	Clearman
D754,238 S	4/2016	Woodman
D754,240 S	4/2016	Samuels
D763,941 S	8/2016	Smith
D767,009 S	9/2016	Hinkel
D768,752 S	10/2016	Silver
D772,322 S	11/2016	Zhang
D776,741 S	1/2017	Parfitt
D777,821 S	1/2017	Gioscia

(56) **References Cited**

U.S. PATENT DOCUMENTS

D164,285 S	8/1951	Clark
3,418,909 A	12/1968	Rabinow
D265,829 S	8/1982	Shimoda
4,646,141 A	2/1987	Timmermans
4,763,151 A	8/1988	Klinger
D321,704 S	11/1991	Leonard
D321,705 S	11/1991	Ohmura
D338,220 S	8/1993	Kohno
D367,283 S	2/1996	Lyon
D377,940 S	2/1997	Totsch
D388,109 S	12/1997	Kimura
D392,659 S	3/1998	Takano
5,997,376 A	12/1999	Block
D419,296 S	1/2000	Shinano
D425,092 S	5/2000	Eto
D425,924 S	5/2000	Burchard
D439,593 S	3/2001	Enderby
D441,386 S	5/2001	Yamazaki
6,233,400 B1	5/2001	Muramatsu
6,315,180 B1	11/2001	Watkins
D453,177 S	1/2002	Uehara
D458,620 S	6/2002	Su
D460,474 S	7/2002	Gotham, Sr.
6,545,825 B2	4/2003	Shoji
D474,221 S	5/2003	Cheng
D487,104 S	2/2004	Obata
D491,968 S	6/2004	Isshiki
6,821,173 B2	11/2004	McCausland
D504,904 S	5/2005	Nagai
6,955,484 B2	10/2005	Woodman
6,991,504 B1	1/2006	English
7,060,921 B2	6/2006	Kubo
D524,836 S	7/2006	Morita
D527,403 S	8/2006	Byun
D528,580 S	9/2006	Sumita
7,117,699 B2	10/2006	Bistline
D532,029 S	11/2006	Kim
D532,030 S	11/2006	Yoshida
D532,433 S	11/2006	Sato
D533,574 S	12/2006	Hamamura
D534,564 S	1/2007	Tainaka
D535,676 S	1/2007	Dayan
7,182,529 B2	2/2007	Kurosawa
7,182,661 B2	2/2007	Sams
D538,322 S	3/2007	Horikiri
D538,324 S	3/2007	Masamitsu
D540,669 S	4/2007	George
D540,841 S	4/2007	Yamagishi
D550,742 S	9/2007	Ishii
7,295,388 B2	11/2007	Shyu
D562,374 S	2/2008	Miyashita
D566,148 S	4/2008	Akita
D566,714 S	4/2008	Schaefer
7,413,357 B2	8/2008	Badalian
D582,955 S	12/2008	Sekine
D600,265 S	9/2009	Miyashita
D605,680 S	12/2009	Okada
7,626,621 B2	12/2009	Ito
7,653,292 B2	1/2010	Yamaguchi
7,683,968 B2	3/2010	Hagihara
7,690,852 B2	4/2010	Kato
D616,479 S	5/2010	Ganahl, Jr.
D618,266 S	6/2010	Imaeda

(56)

References Cited

OTHER PUBLICATIONS

U.S. PATENT DOCUMENTS

D778,335	S	2/2017	Gioscia	
D778,336	S	2/2017	Gioscia	
D785,697	S	5/2017	Costa	
D789,435	S	6/2017	Nguyen	
D799,479	S	10/2017	Wieser	
D800,818	S	10/2017	Woodman	
D800,819	S	10/2017	Parfitt	
D804,560	S	12/2017	Costa	
D806,775	S	1/2018	Nguyen	
D808,163	S	1/2018	Song	
D818,029	S	5/2018	Fujita	
D821,480	S	6/2018	Gioscia	
D821,481	S	6/2018	Gioscia	
D835,910	S	12/2018	Eliyahu	
D837,861	S	1/2019	Luo	
D840,463	S	2/2019	Nguyen	
D852,259	S	6/2019	Gioscia	
D856,391	S	8/2019	Liu	
D868,131	S *	11/2019	Hu	D16/200
D869,539	S *	12/2019	Hu	D16/200
D876,521	S	2/2020	Costa	
D888,792	S *	6/2020	Luo	D16/200
D911,418	S	2/2021	Yap	
D921,084	S *	6/2021	Muhlenkamp, IV	D16/200
D924,297	S *	7/2021	Imai	D16/202
2003/0035052	A1	2/2003	Baron	
2003/0133206	A1	7/2003	Belefant	
2005/0007553	A1	1/2005	Romanoff	
2005/0019029	A1	1/2005	Kawakami	
2005/0212959	A1	9/2005	Manabe	
2006/0233545	A1	10/2006	Senba	
2007/0071423	A1	3/2007	Fantone	
2007/0242134	A1	10/2007	Zernov	
2008/0083360	A1	4/2008	Rowley	
2009/0032420	A1	2/2009	Zenzai	
2009/0110380	A1	4/2009	Fantone	
2009/0317069	A1	12/2009	Yim	
2011/0147245	A1	6/2011	Yim	
2015/0030320	A1	1/2015	Clearman	
2016/0134788	A1	5/2016	Clearman	
2016/0252801	A1	9/2016	Harrison	

'GoPro Hero 3 Sports Wrist Camera Review,' PaddleDogNation, 2006, 6 pages, [Online] [Retrieved on Aug. 8, 2007] Retrieved from the Internet <URL:http://paddledognation.com/Reviews/PaddlingGearReviews/He-ro3Ca . . . >.

'Maui Surf Report: New SUP Camera Mount,' 8 Pages, [Online] [Retrieved on Nov. 16, 2008] Retrieved from the Internet<URL:http://mauisurfreport.blogspot.com/2007/08/new-sup-camera- -mount.html>.

'Sticky Pod—Boat Camera Mount,' Sticky Pod Camera Mounts, Sticky Pod.RTM., 2003-2007, [Online] [Retrieved on Nov. 16, 2008] Retrieved from the Internet&lt;URL:http://www.stickypod.com/boat.sub.--camera.sub.--moun- t.html&gt;. 3 pages.

'Tekkno Trading Project—Brandnews,' NSP, Jan. 2008, p. 59.

GoPro, Inc., 'Cameras,' 2014, 3 Pages, [online][Archived on webarchive.org on Mar. 30, 2014] [Retrieved on Aug. 31, 2015] Retrieved from the internet <URL:https://web.archive.org/web/20140330221442/http://gopro.com/cameras>.

Huang, J., "Part 19—Oct. 21: Interbike Bits and Baubles," Interbike Show, Las Vegas, Nevada, USA, Sep. 22-26, 2008, Cyclingnews.com, [Online] [Retrieved on Oct. 21, 2008] Retrieved from the Internet<URL:http://www.cyclingnews.com/tech/2008/shows/interbike08/?i- d=result . . . >. 3 pages.

Office Action for U.S. Appl. No. 12/498,876, dated Jan. 12, 2011, 10 Pages.

Office Action for U.S. Appl. No. 12/498,876, dated Sep. 17, 2010, 12 Pages.

Office Action for U.S. Appl. No. 13/193,369, dated Oct. 18, 2011, 6 Pages.

PCT International Search Report and Written Opinion, PCT/US2009/049823, dated Sep. 1, 2009, 7 pages.

Volk, W., 'Go Pro's Digital Hero Camera,' Divester, Posted Dec. 5, 2008, [Online] [Retrieved on Sep. 16, 2009] Retrieved from the Internet<URL:http://www.divester.com/2006/12/05/go-pro-digital-hero-camera/>. 3 pages.

\* cited by examiner

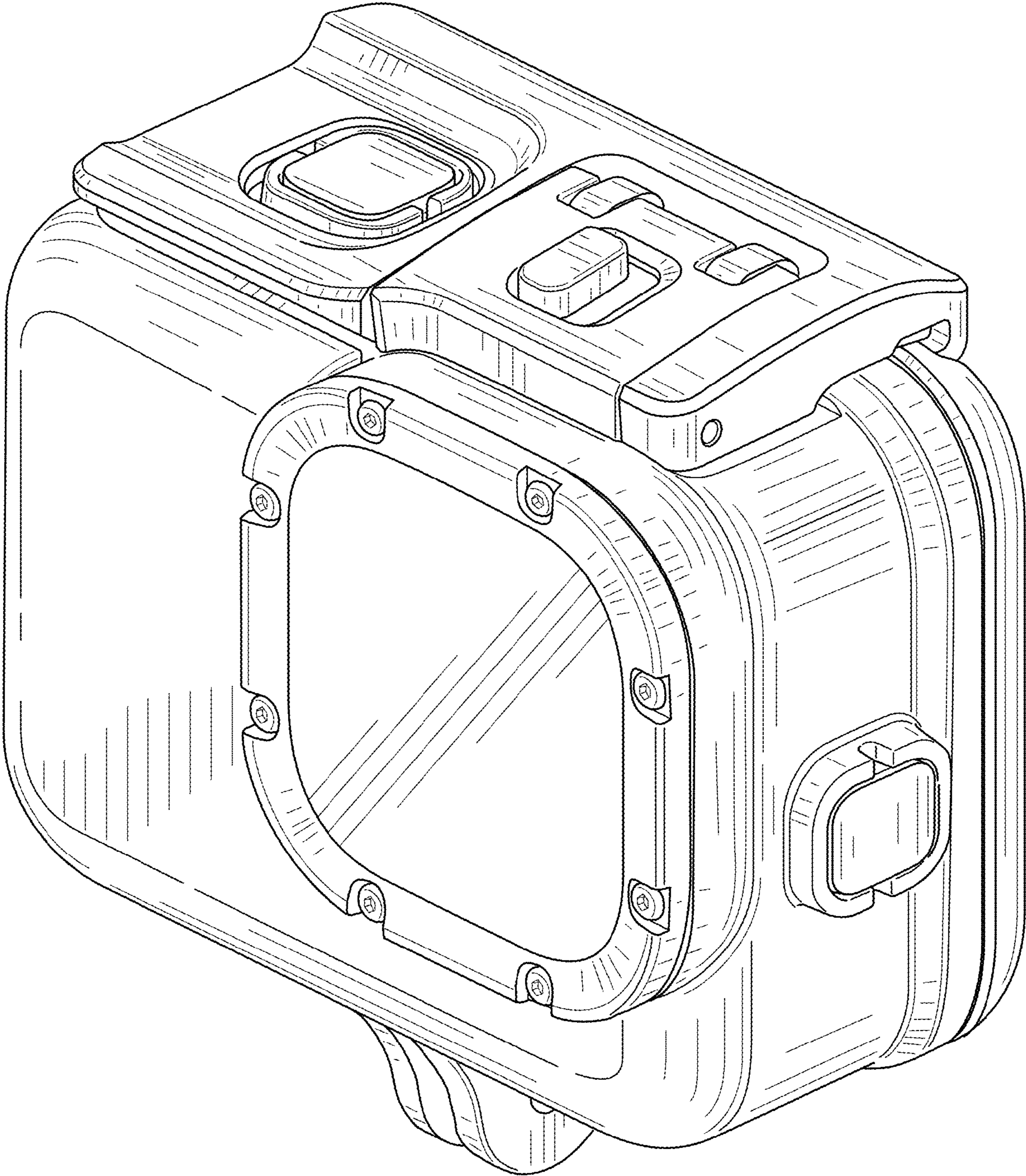


FIG. 1

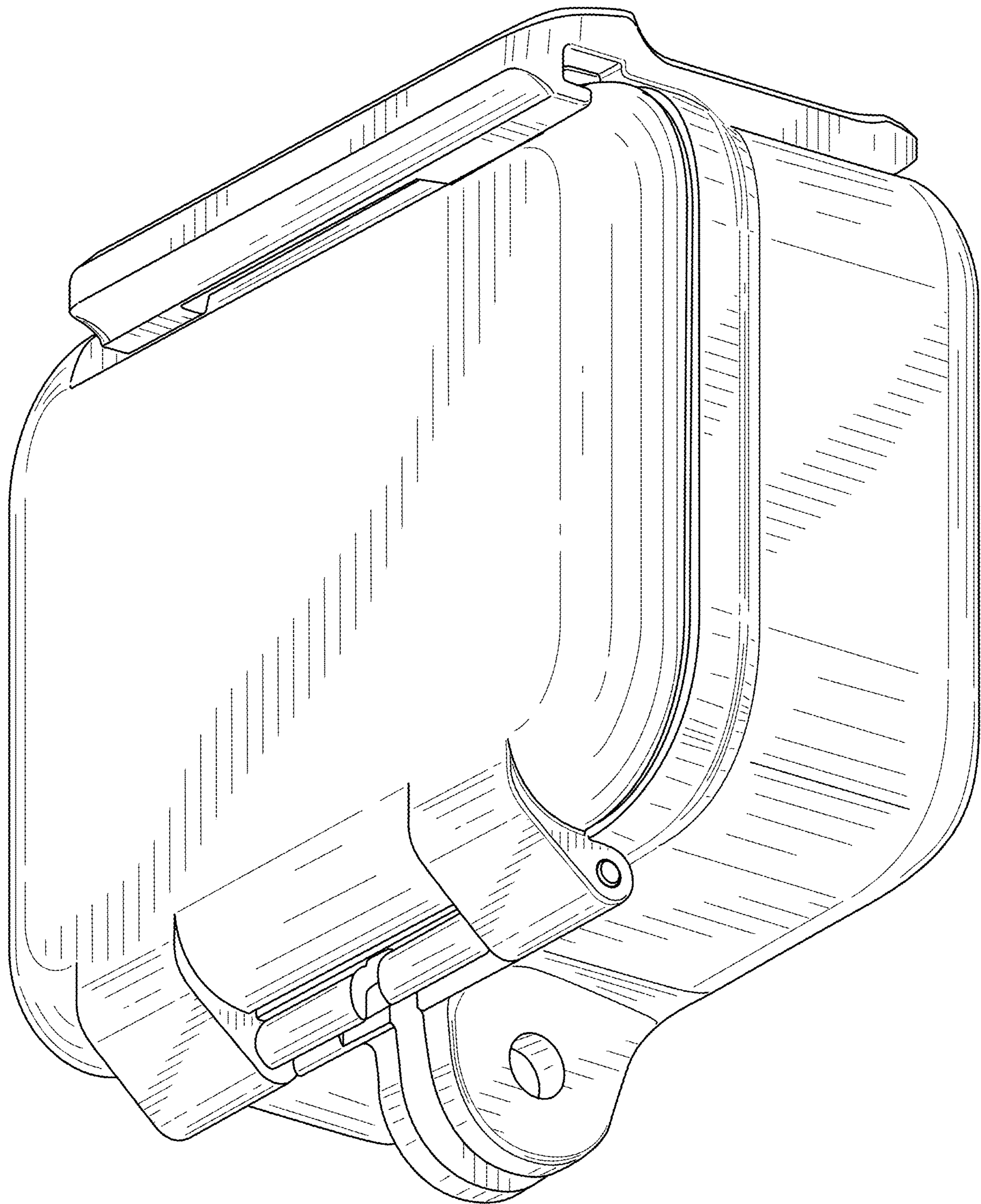


FIG. 2

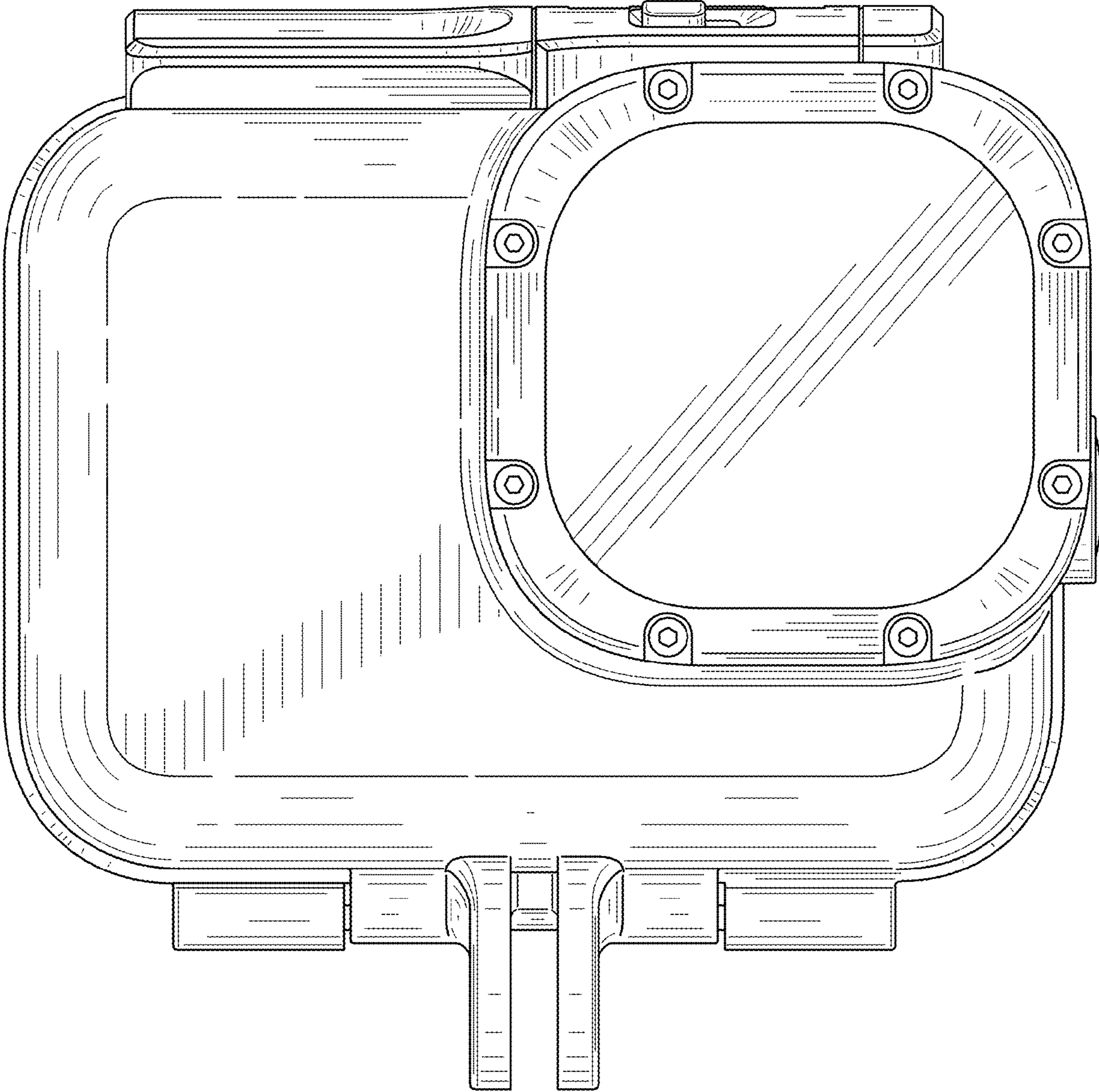


FIG. 3

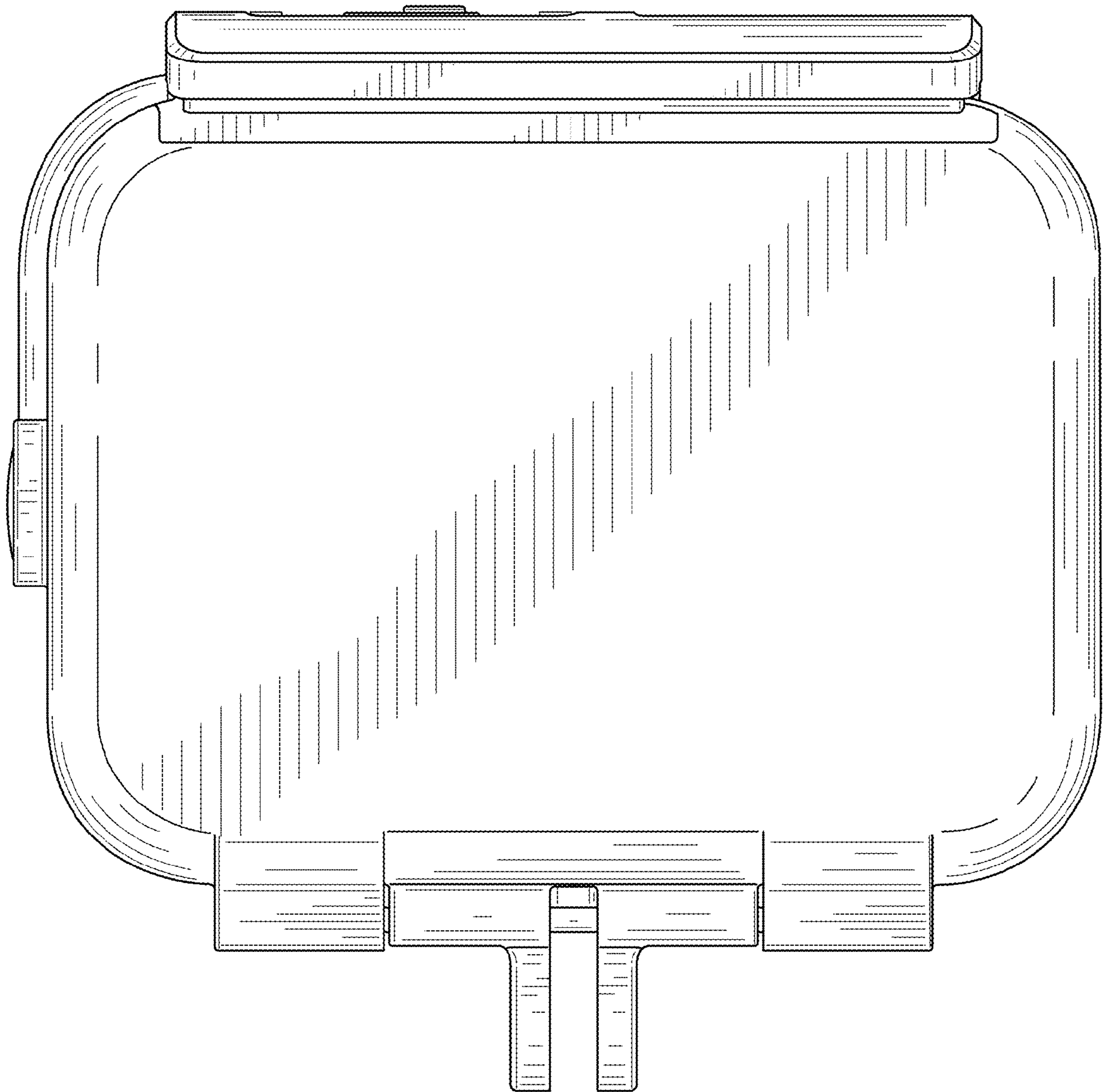


FIG. 4

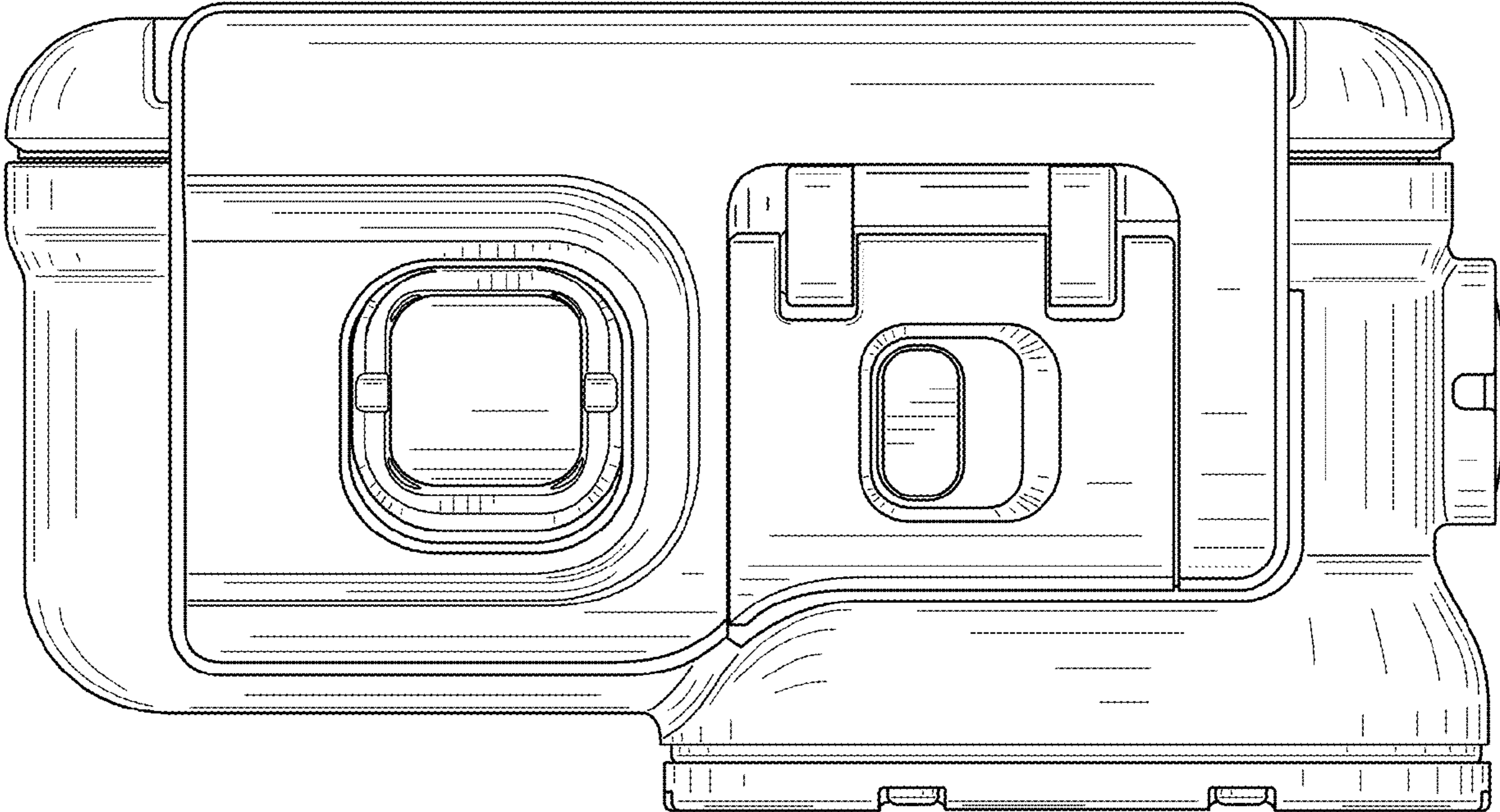


FIG. 5



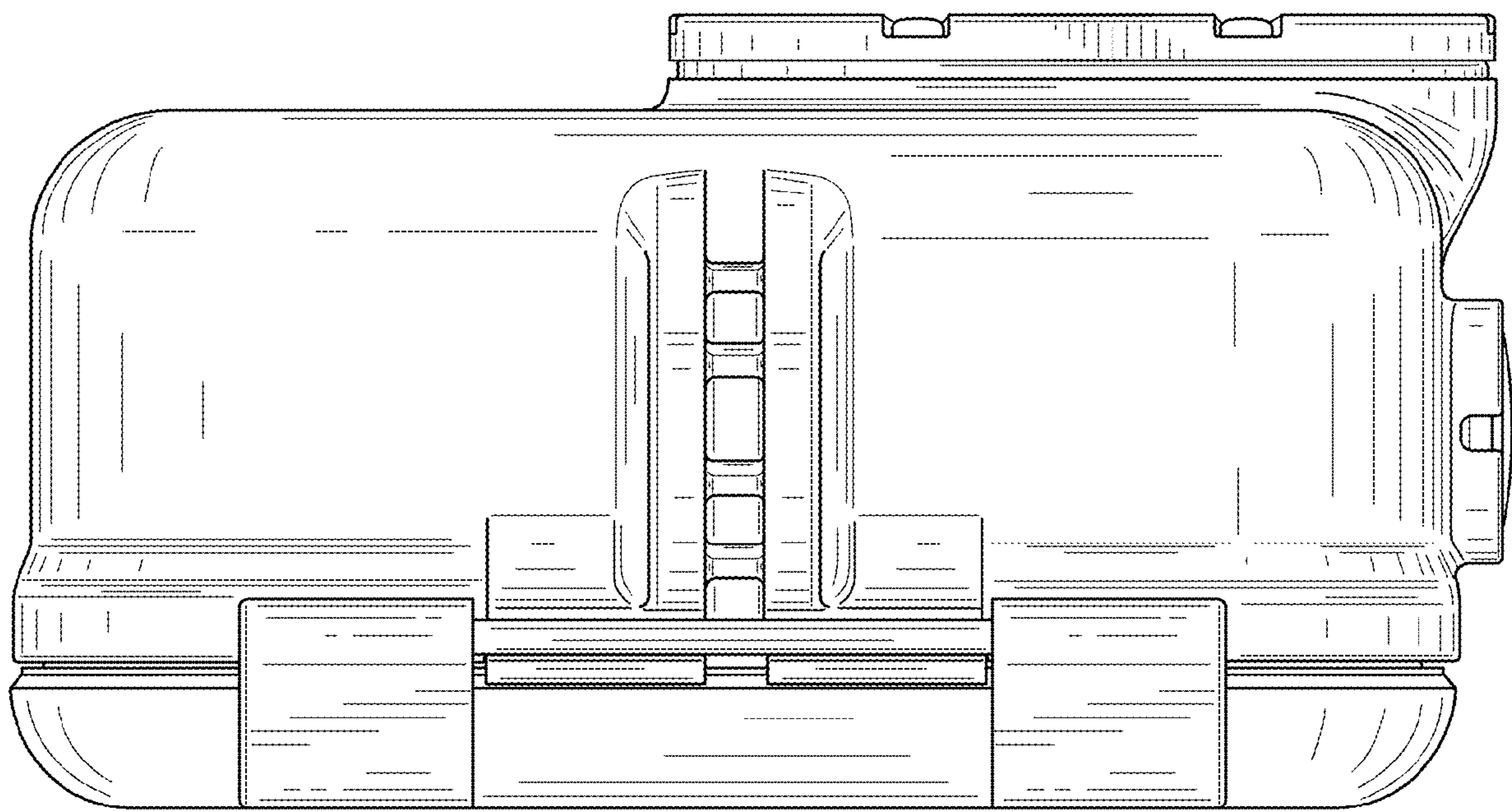


FIG. 6

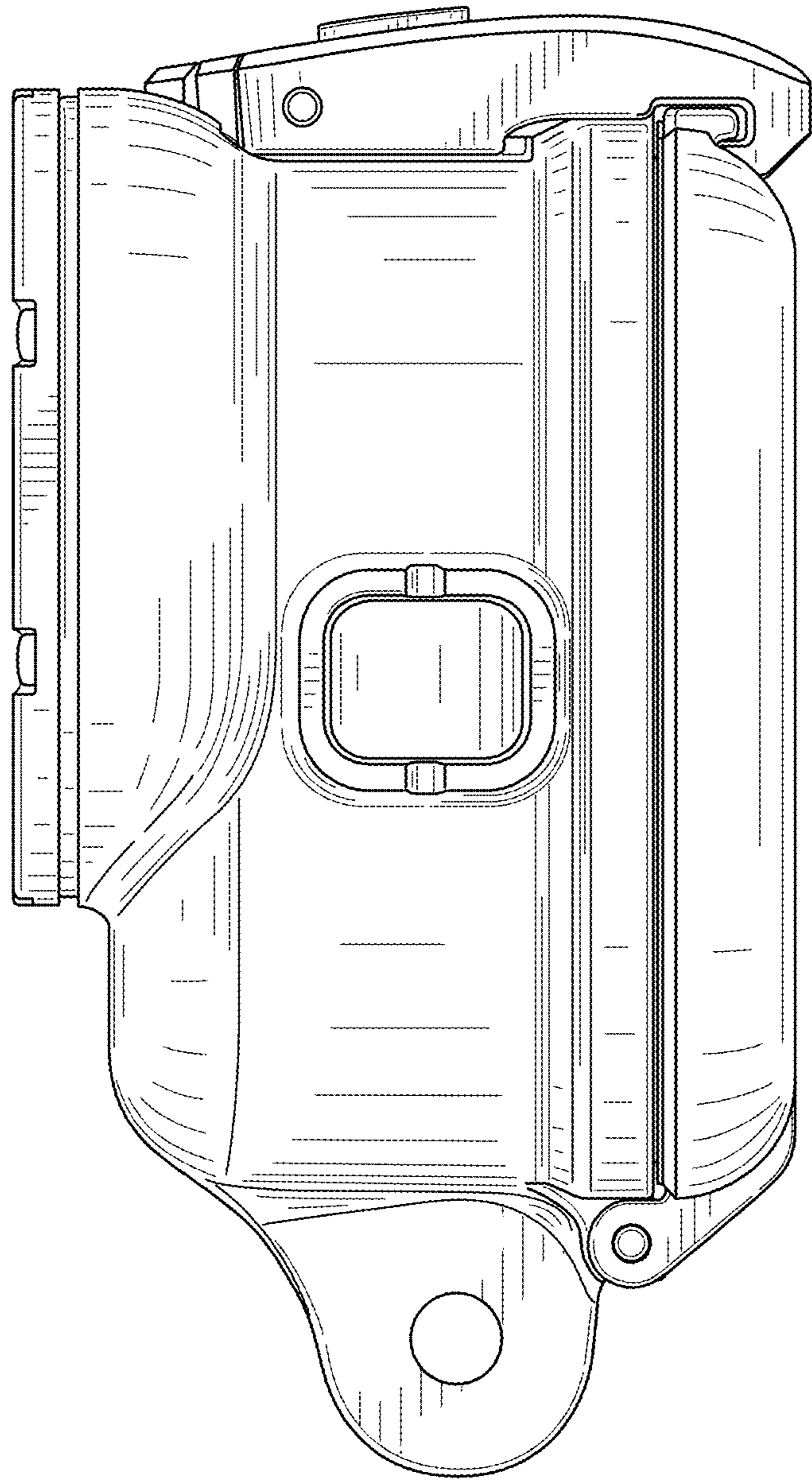


FIG. 7

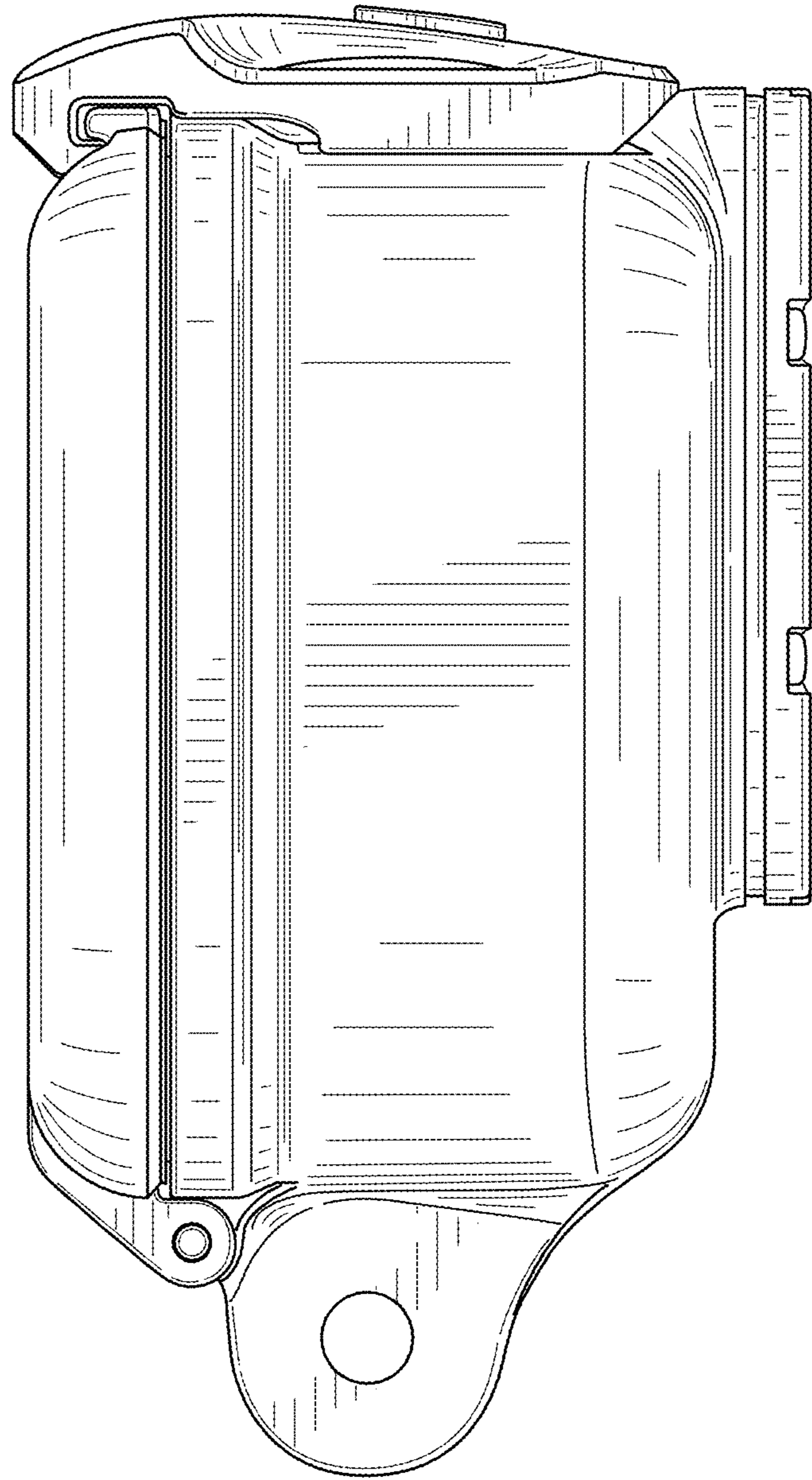


FIG. 8

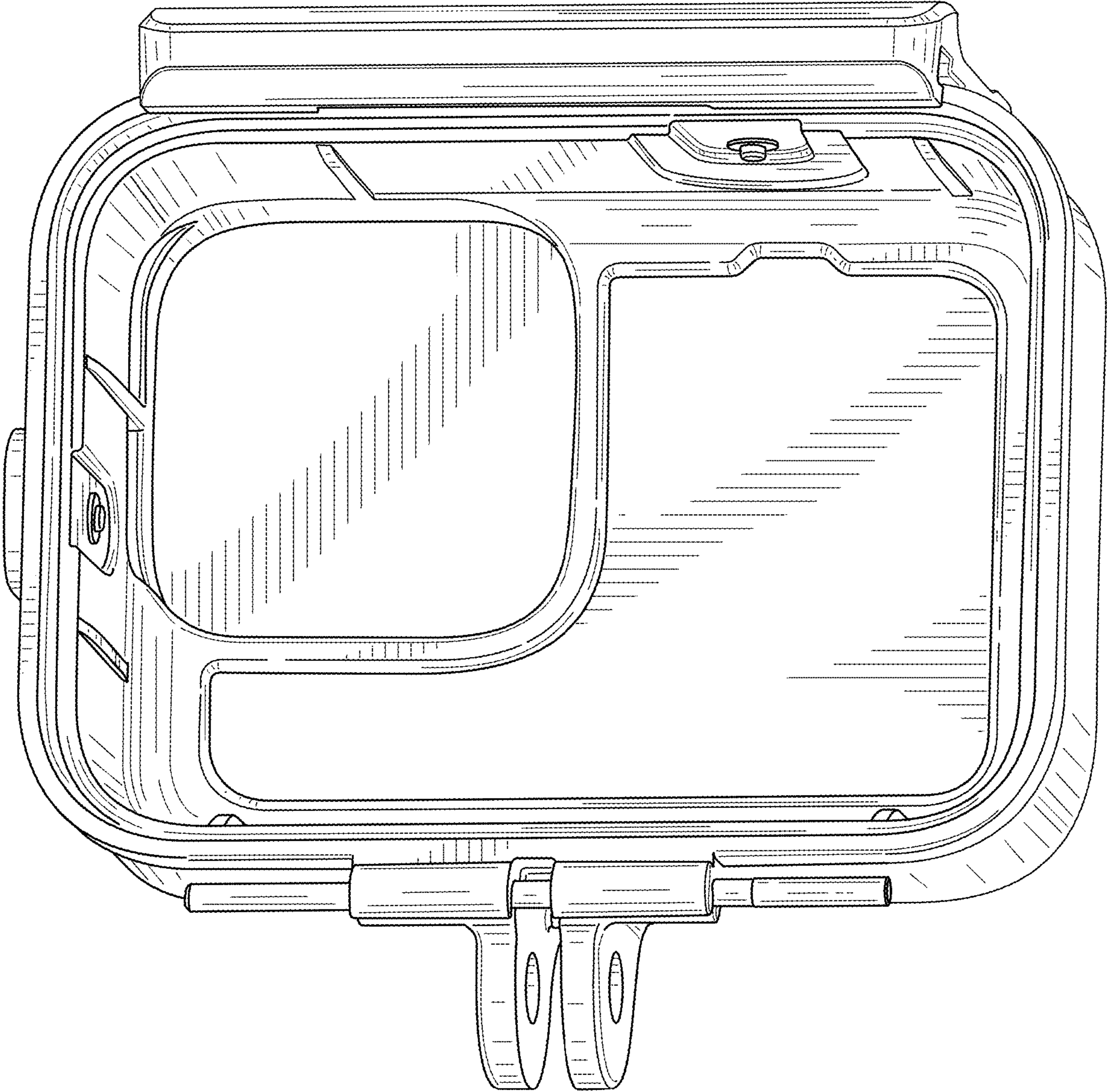


FIG. 9

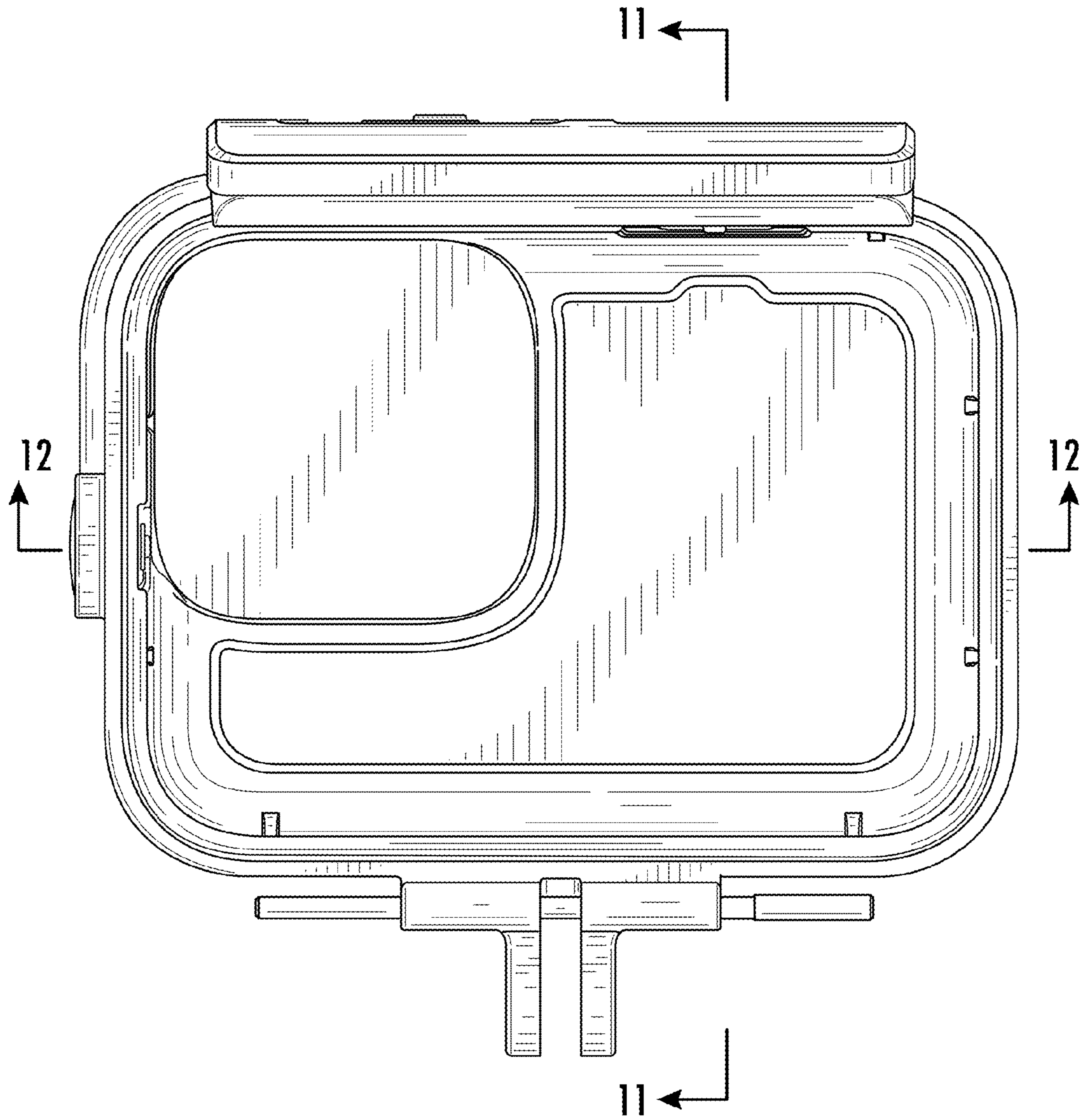


FIG. 10

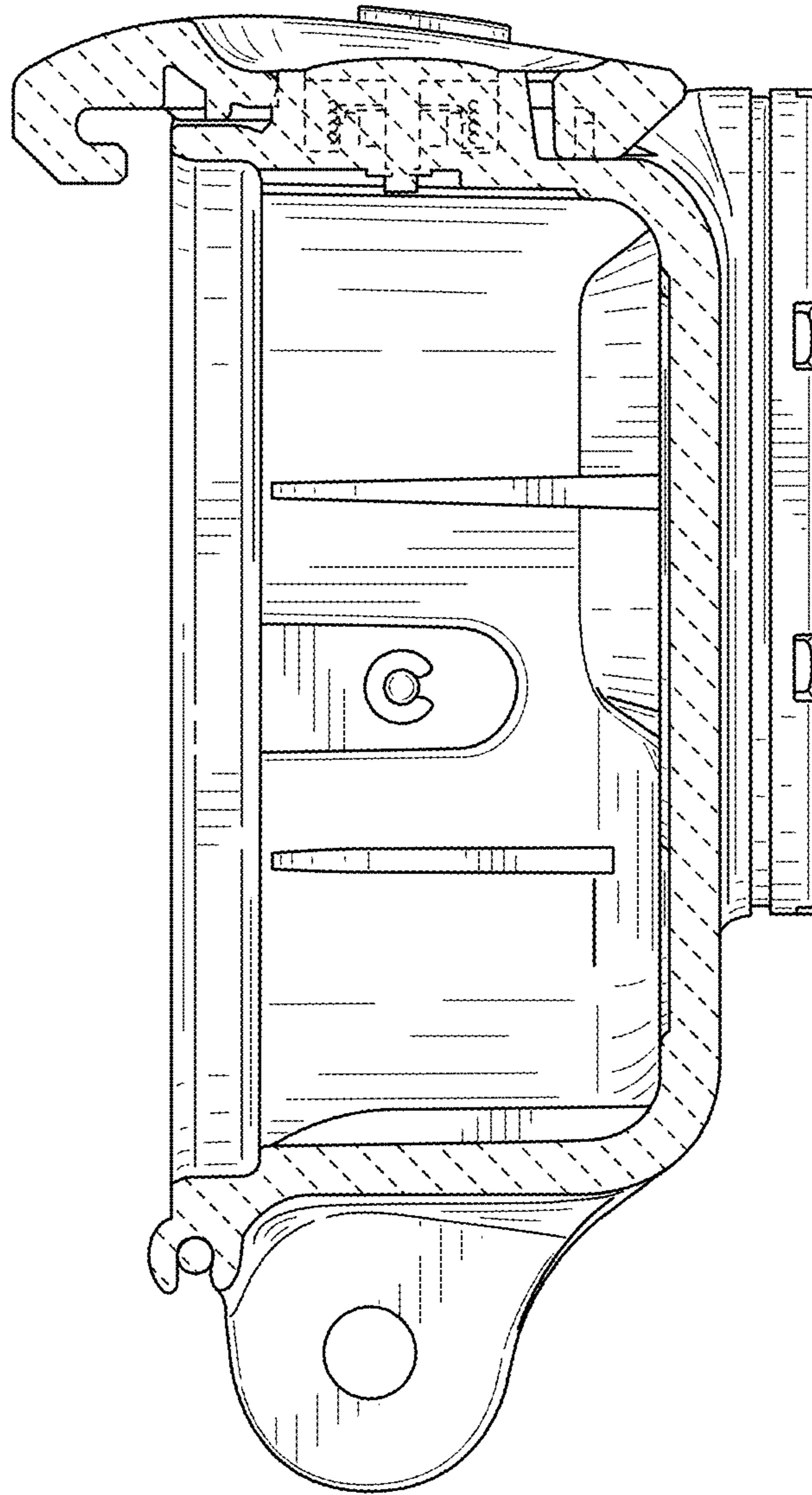


FIG. 11

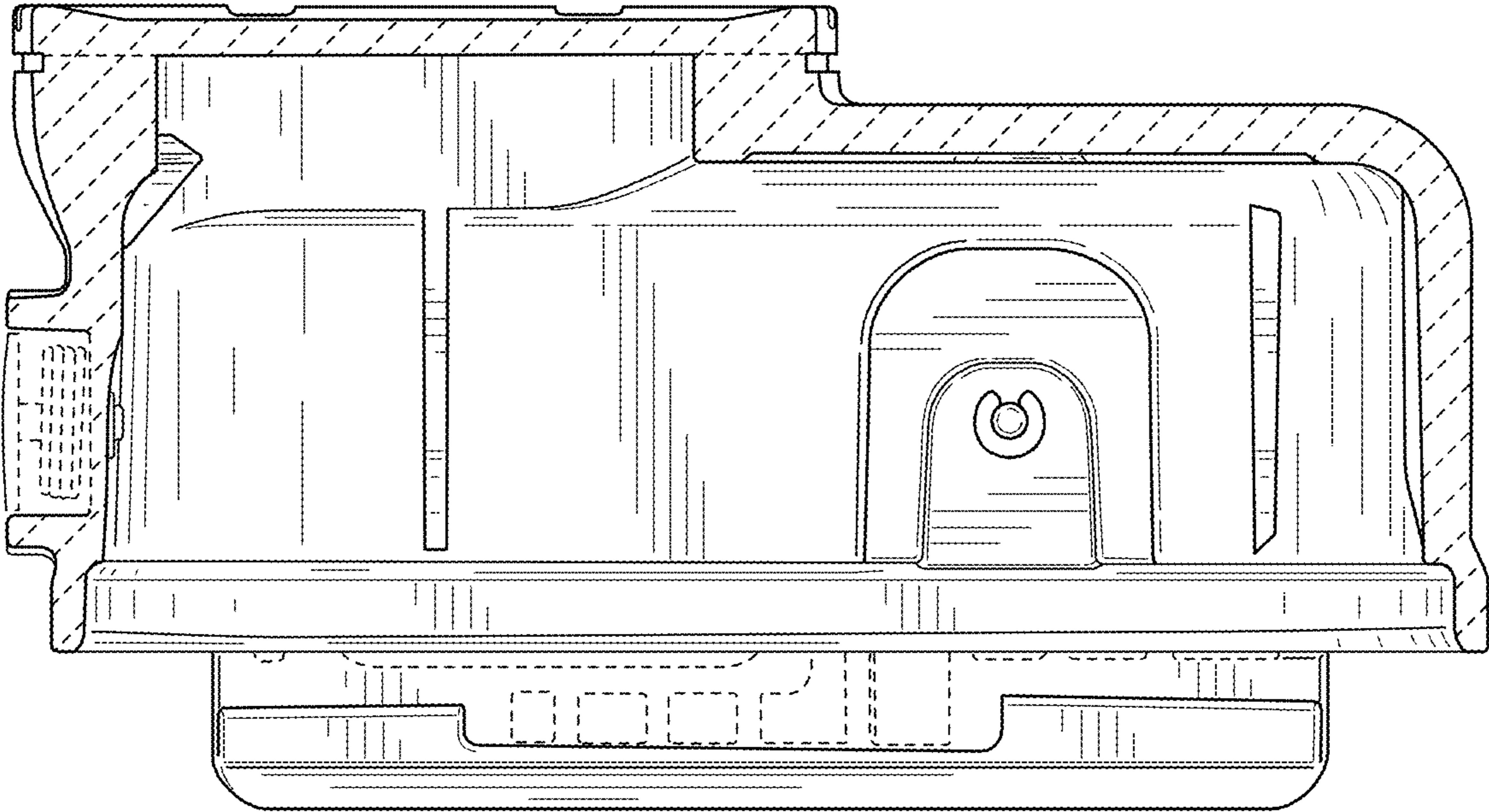


FIG. 12

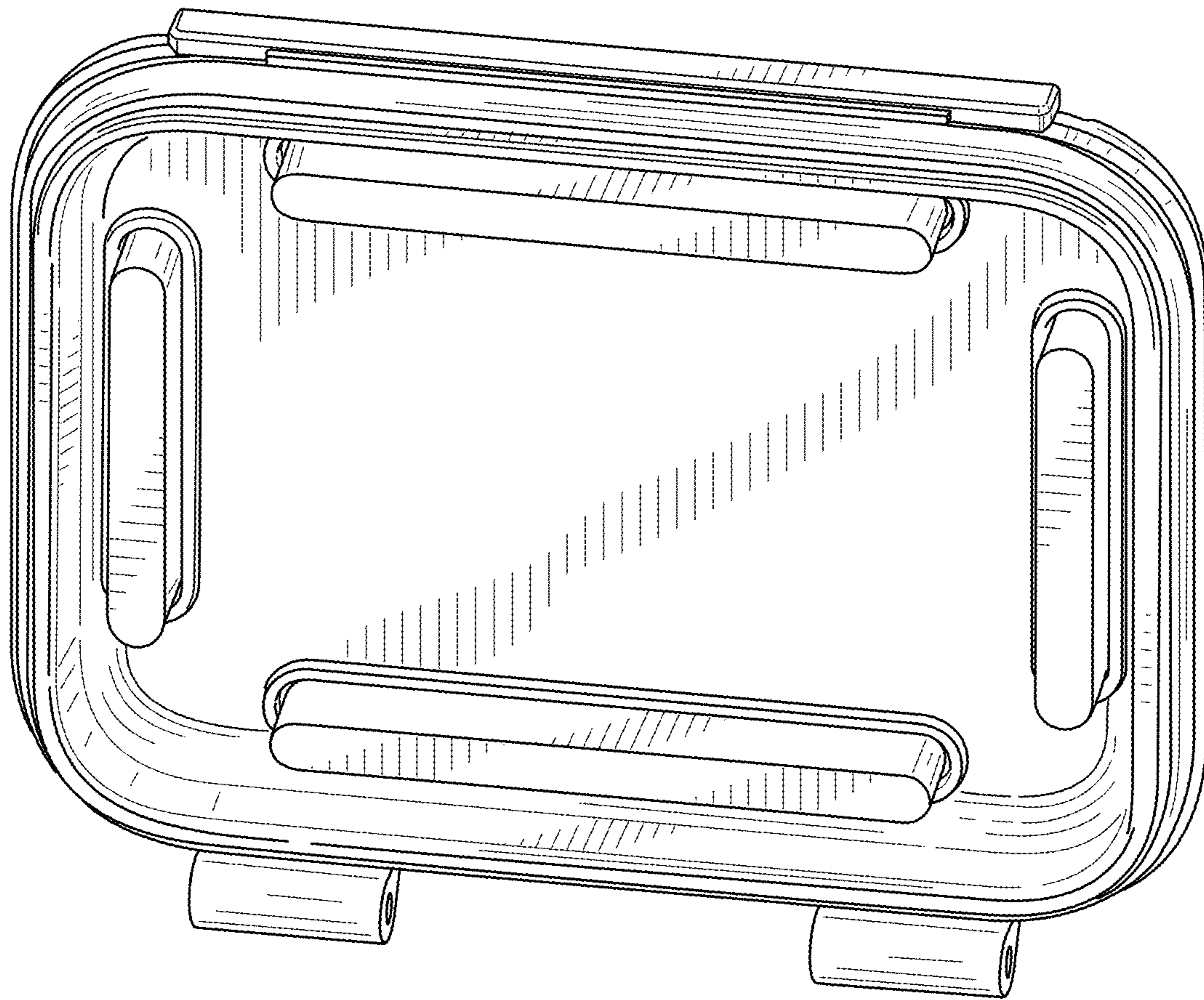


FIG. 13



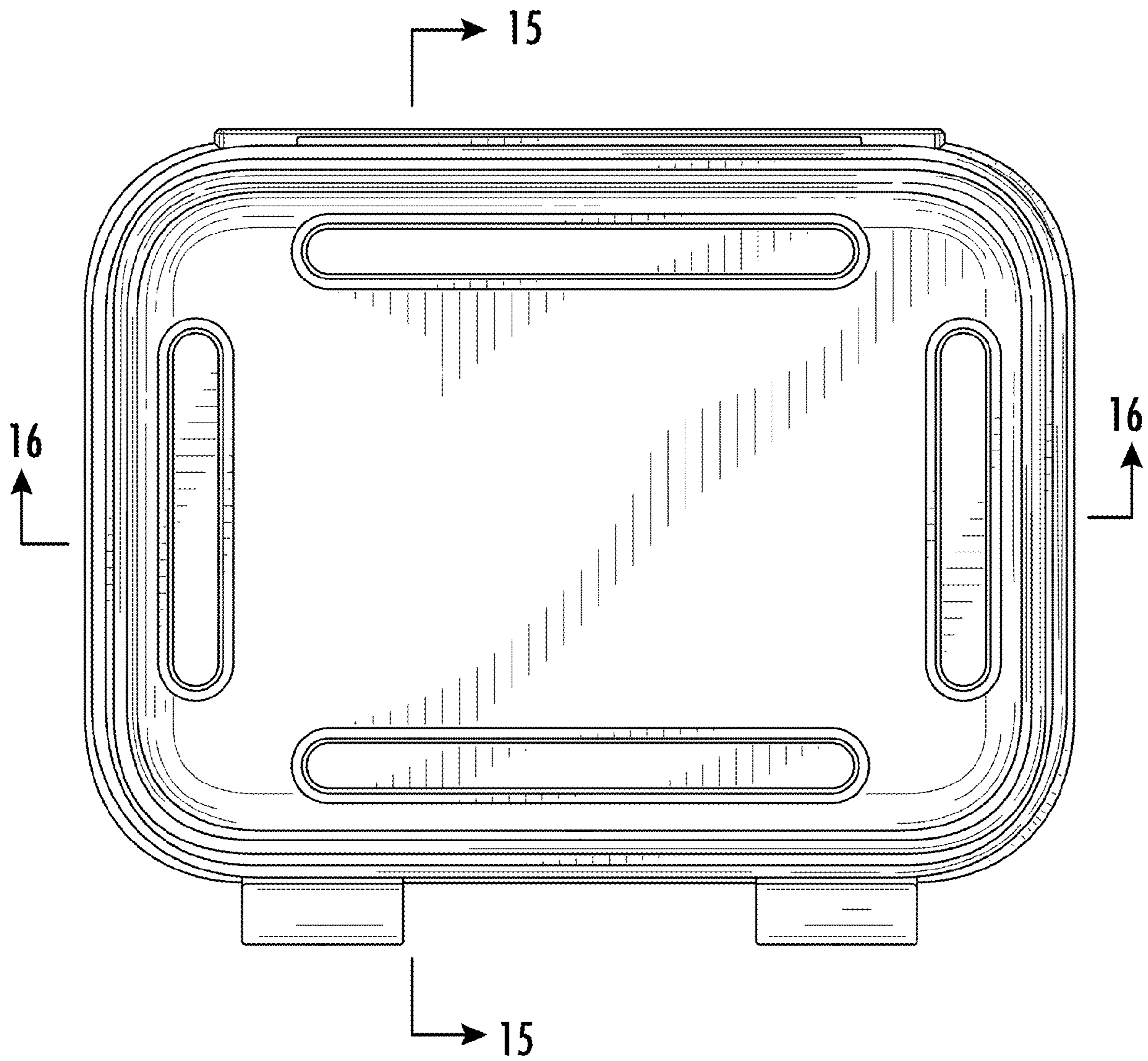


FIG. 14

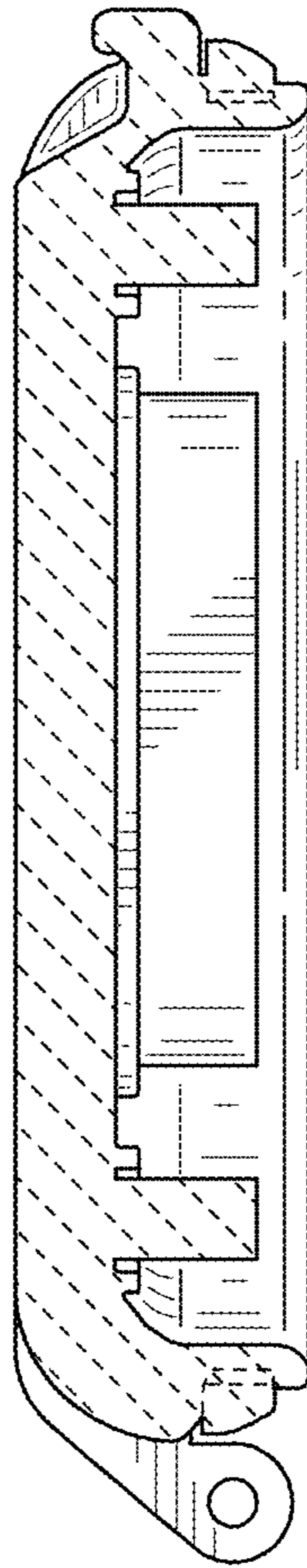


FIG. 15

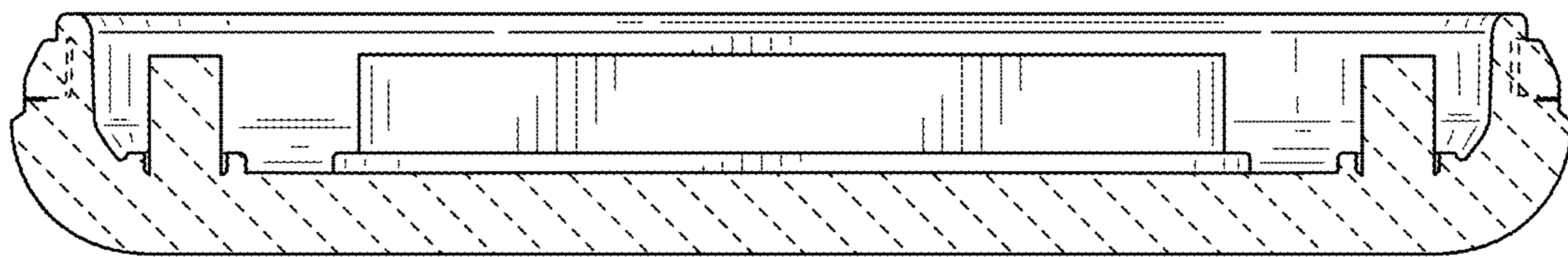


FIG. 16