



US00D947919S

(12) **United States Design Patent** (10) **Patent No.:** **US D947,919 S**  
**Matuschek et al.** (45) **Date of Patent:** **\*\* Apr. 5, 2022**

(54) **STAND FOR A SURGICAL INSTRUMENT**

(71) Applicant: **Carl Zeiss Meditec AG**, Jena (DE)

(72) Inventors: **Walter Matuschek**, Aalen (DE);  
**Christian Siegel**, Aalen (DE)

(73) Assignee: **Carl Zeiss Meditec AG**, Jena (DE)

(\*\*) Term: **15 Years**

(21) Appl. No.: **29/684,045**

(22) Filed: **Mar. 18, 2019**

(30) **Foreign Application Priority Data**

Sep. 18, 2018 (EM) ..... 005647054

(51) **LOC (13) Cl.** ..... **16-06**

(52) **U.S. Cl.**  
USPC ..... **D16/131**

(58) **Field of Classification Search**  
USPC ..... D16/130-136; D24/107, 128, 137, 138,  
D24/185, 186, 232, 234  
CPC ..... G02B 21/00; G02B 21/002; G02B 21/06;  
G02B 21/082  
See application file for complete search history.

(56) **References Cited**

**U.S. PATENT DOCUMENTS**

- 6,471,165 B2 \* 10/2002 Twisselmann ..... F16M 11/18  
248/123.11
- D482,708 S \* 11/2003 Matuschek ..... D16/131
- D623,210 S \* 9/2010 Matuschek ..... D16/131
- D626,236 S \* 10/2010 Ninomiya ..... D24/185
- D634,344 S \* 3/2011 Nusser ..... D16/131
- D649,992 S \* 12/2011 Nusser ..... D16/131
- D650,405 S \* 12/2011 Nusser ..... D16/131
- D666,653 S \* 9/2012 Nusser ..... D16/131
- D707,359 S \* 6/2014 Kim ..... D24/185
- D707,360 S \* 6/2014 Kim ..... D24/185
- D716,448 S \* 10/2014 Kim ..... D24/158

- D751,209 S \* 3/2016 DiMino ..... D24/186
- D758,465 S \* 6/2016 Matuschek ..... D16/131
- D836,692 S \* 12/2018 Matuschek ..... D16/131
- D836,693 S \* 12/2018 Matuschek ..... D16/131
- D837,856 S \* 1/2019 Matuschek ..... D16/131
- D841,070 S \* 2/2019 Matuschek ..... D16/131
- D874,657 S \* 2/2020 Bailey ..... D24/185

(Continued)

**OTHER PUBLICATIONS**

U.S. Appl. No. 29/684,005, filed Mar. 18, 2019, Carl Zeiss Meditec AG, Walter Matuschek Christian Siegel.

(Continued)

*Primary Examiner* — Holly E Thurman

(74) *Attorney, Agent, or Firm* — Walter Ottesen, P.A.

(57) **CLAIM**

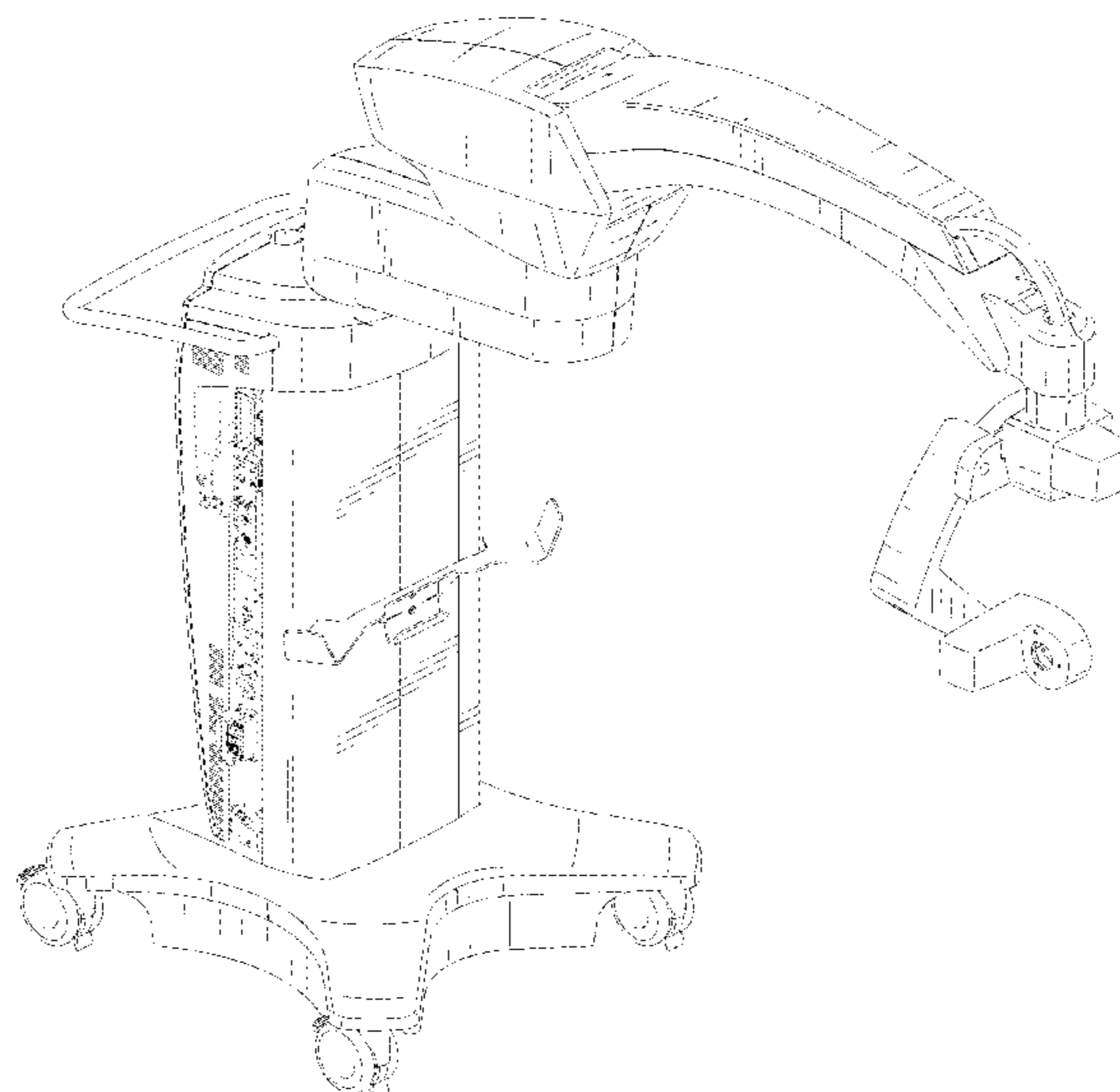
The ornamental design for a stand with a surgical instrument, as shown and described.

**DESCRIPTION**

FIG. 1 is a first perspective view of the stand for a surgical instrument of our new design;  
 FIG. 2 is a second perspective view of the stand for a surgical instrument of FIG. 1;  
 FIG. 3 is a rear elevation view of the stand for a surgical instrument of FIG. 1;  
 FIG. 4 is a front elevation view of the stand for a surgical instrument of FIG. 1;  
 FIG. 5 is a top plan view of the stand for a surgical instrument of FIG. 1;  
 FIG. 6 is a bottom plan view of the stand for a surgical instrument of FIG. 1;  
 FIG. 7 is a right side elevation view of the stand for a surgical instrument of FIG. 1; and,  
 FIG. 8 is a left side elevation view of the stand for a surgical instrument of FIG. 1.

The broken lines form no part of the claimed design.

**1 Claim, 8 Drawing Sheets**



(56)

**References Cited**

U.S. PATENT DOCUMENTS

D881,963 S \* 4/2020 Liu ..... D16/131  
D881,964 S \* 4/2020 Liu ..... D16/131  
D881,965 S \* 4/2020 Liu ..... D16/131  
2003/0230698 A1 \* 12/2003 Strauss ..... F21V 21/06  
248/648  
2005/0041282 A1 \* 2/2005 Rudolph ..... G02B 7/001  
359/368

OTHER PUBLICATIONS

U.S. Appl. No. 29/684,037, filed Mar. 18, 2019, Carl Zeiss Meditec AG, Walter Matuschek Christian Siegel.  
U.S. Appl. No. 29/684,052, filed Mar. 18, 2019, Carl Zeiss Meditec AG, Walter Matuschek Christian Siegel.  
Carl Zeiss Meditec AG brochure "OPMI LUMERA 700 from ZEISS", 2014, 14 pages.  
Dari Zeiss Meditec AG brochure "OPMI Vario from ZEISS", 2014, 12 pages.  
Dari Zeiss Meditec AG brochure "OPMI PENTERO 800 from ZEISS", 2015, 7 pages.  
Dari Zeiss Meditec AG brochure "KINEVO 900 von ZEISS", 2017, 22 pages.

\* cited by examiner

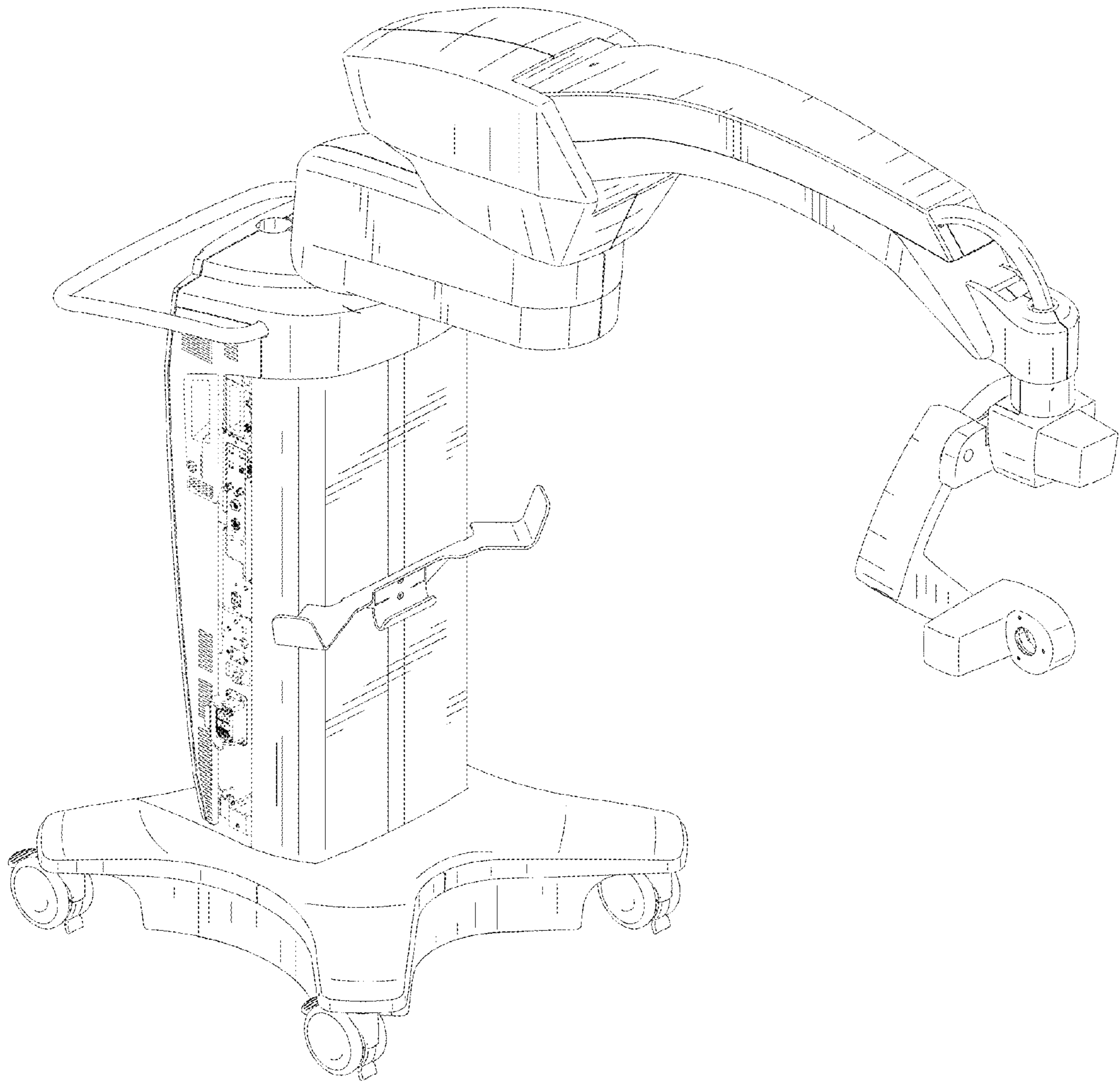


FIG. 1

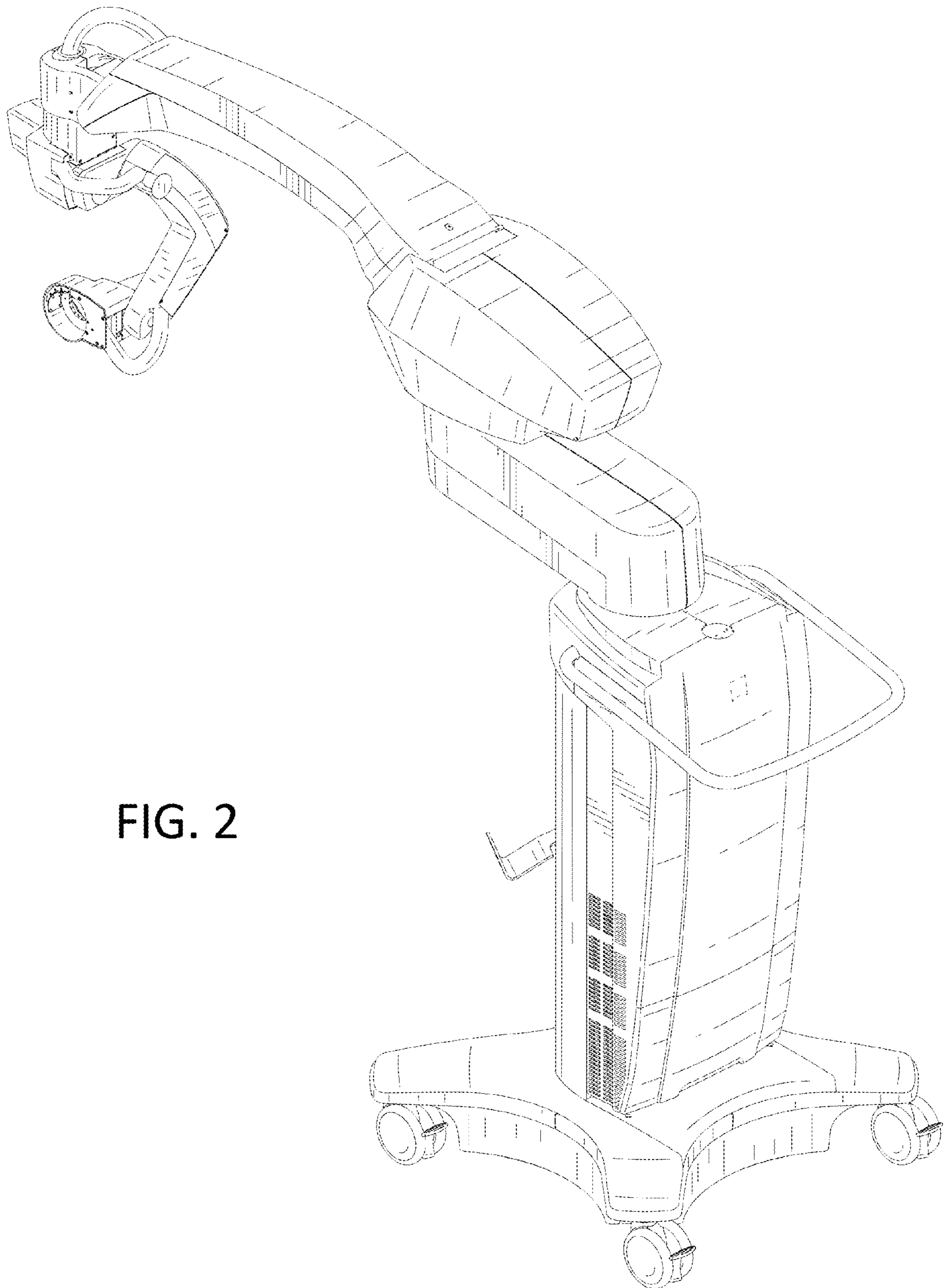


FIG. 2



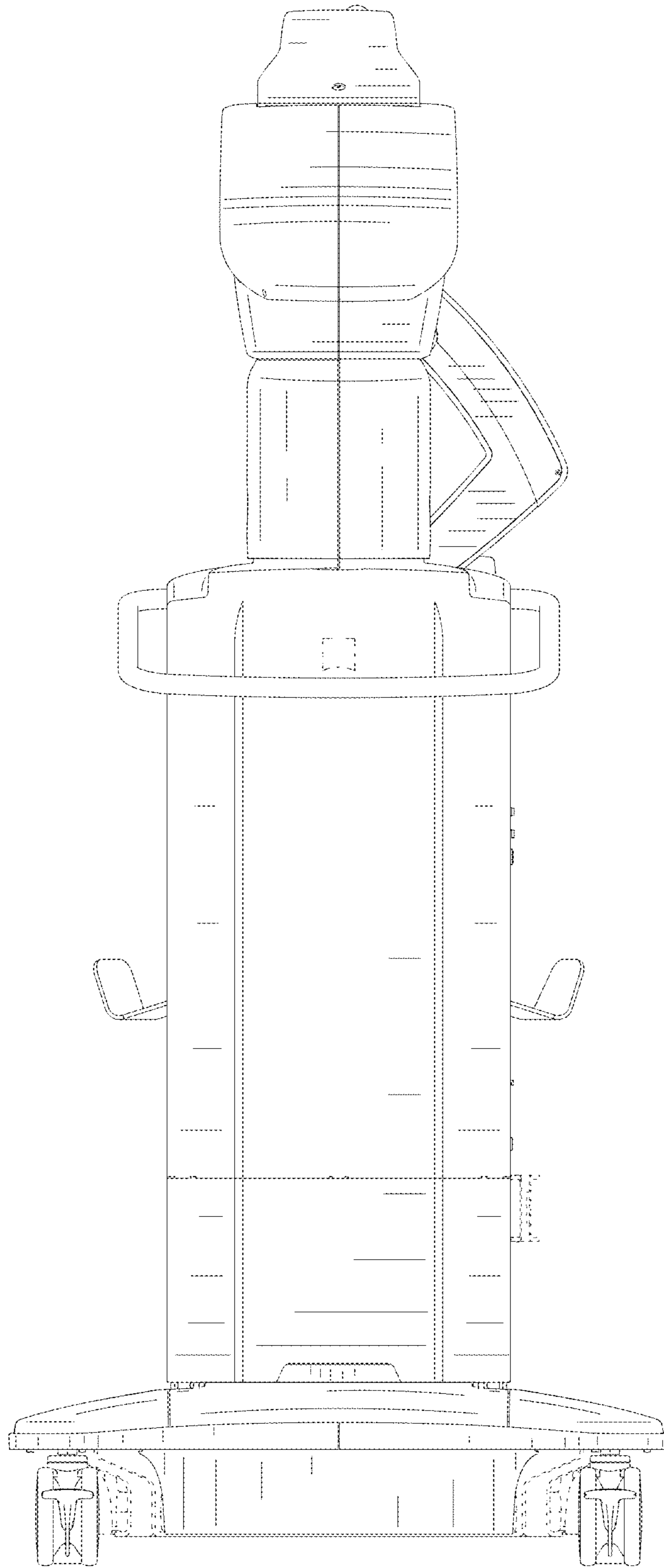


FIG. 3

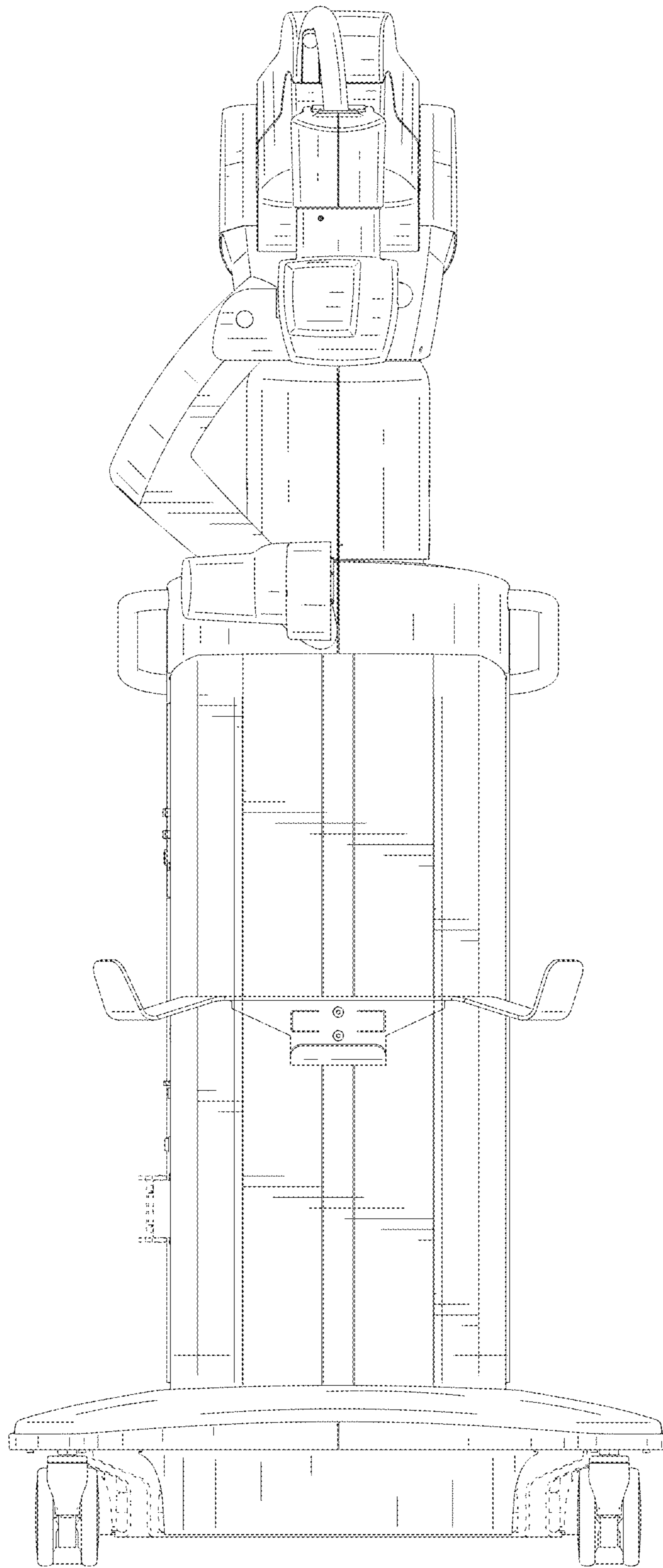


FIG. 4

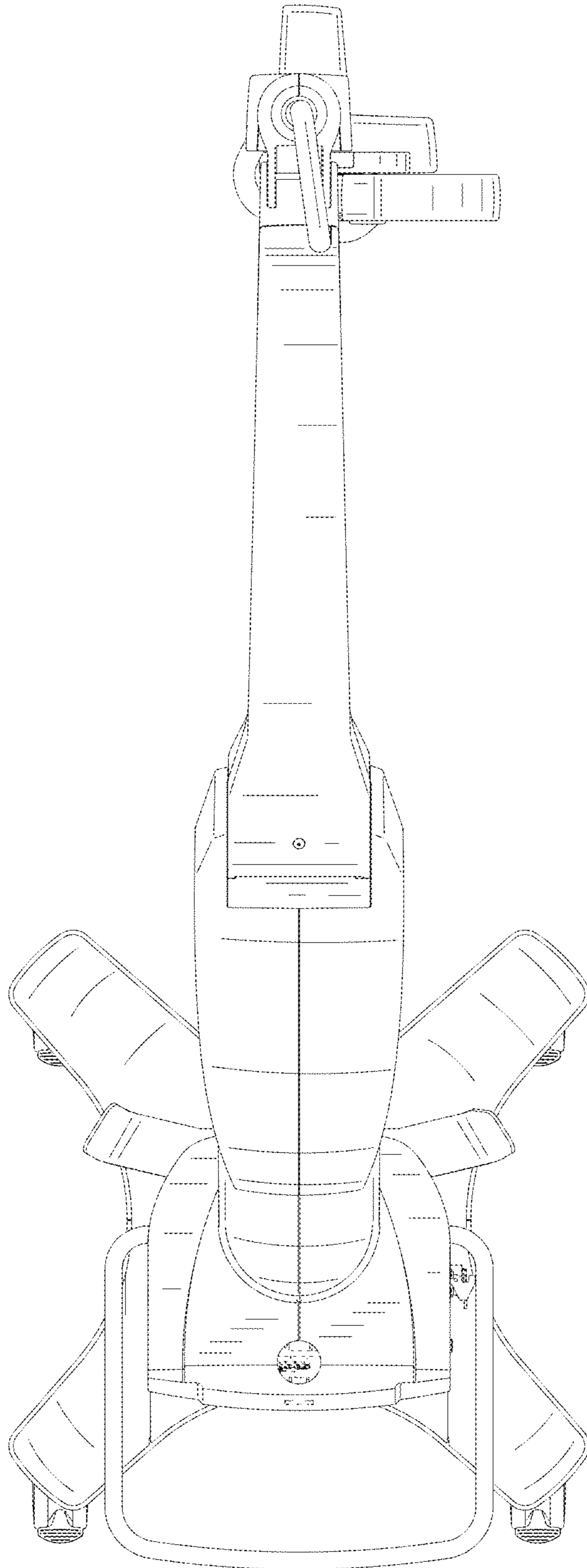


FIG. 5

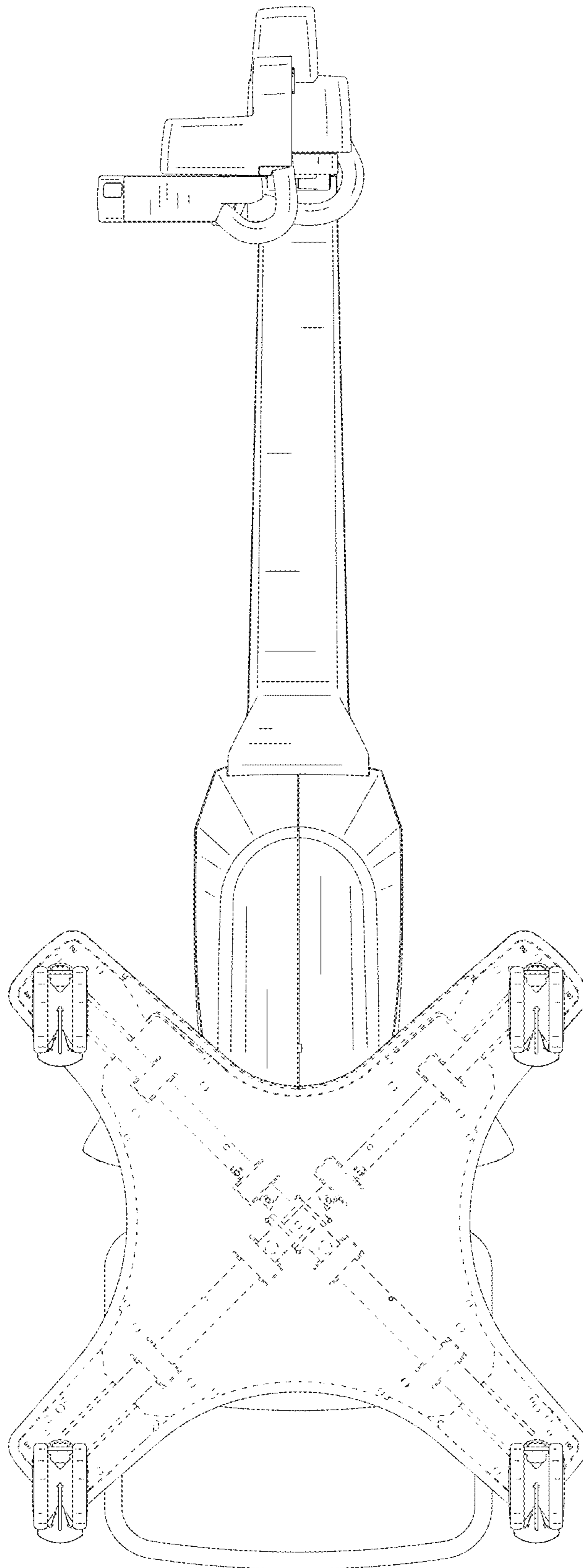


FIG. 6



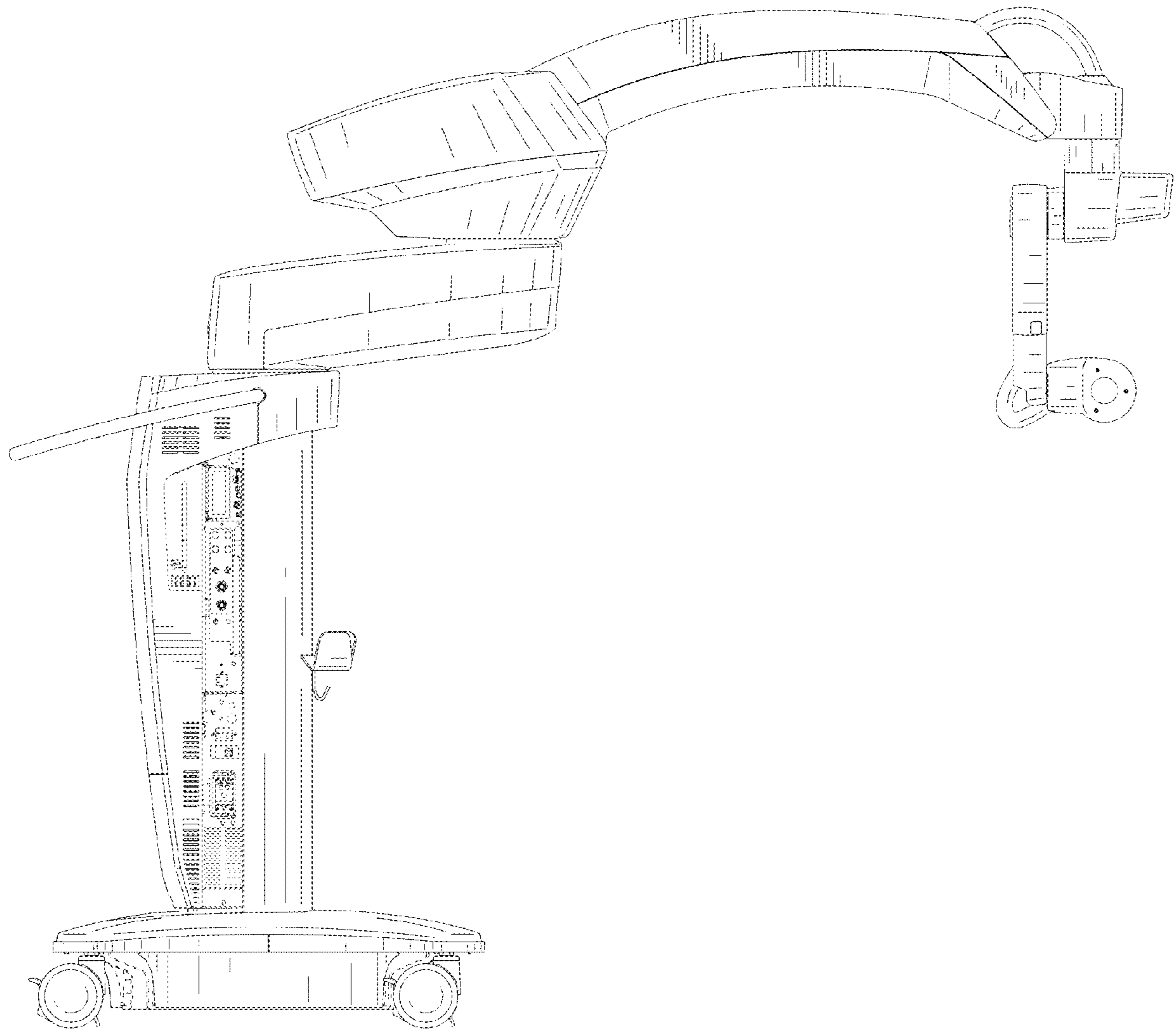


FIG. 7

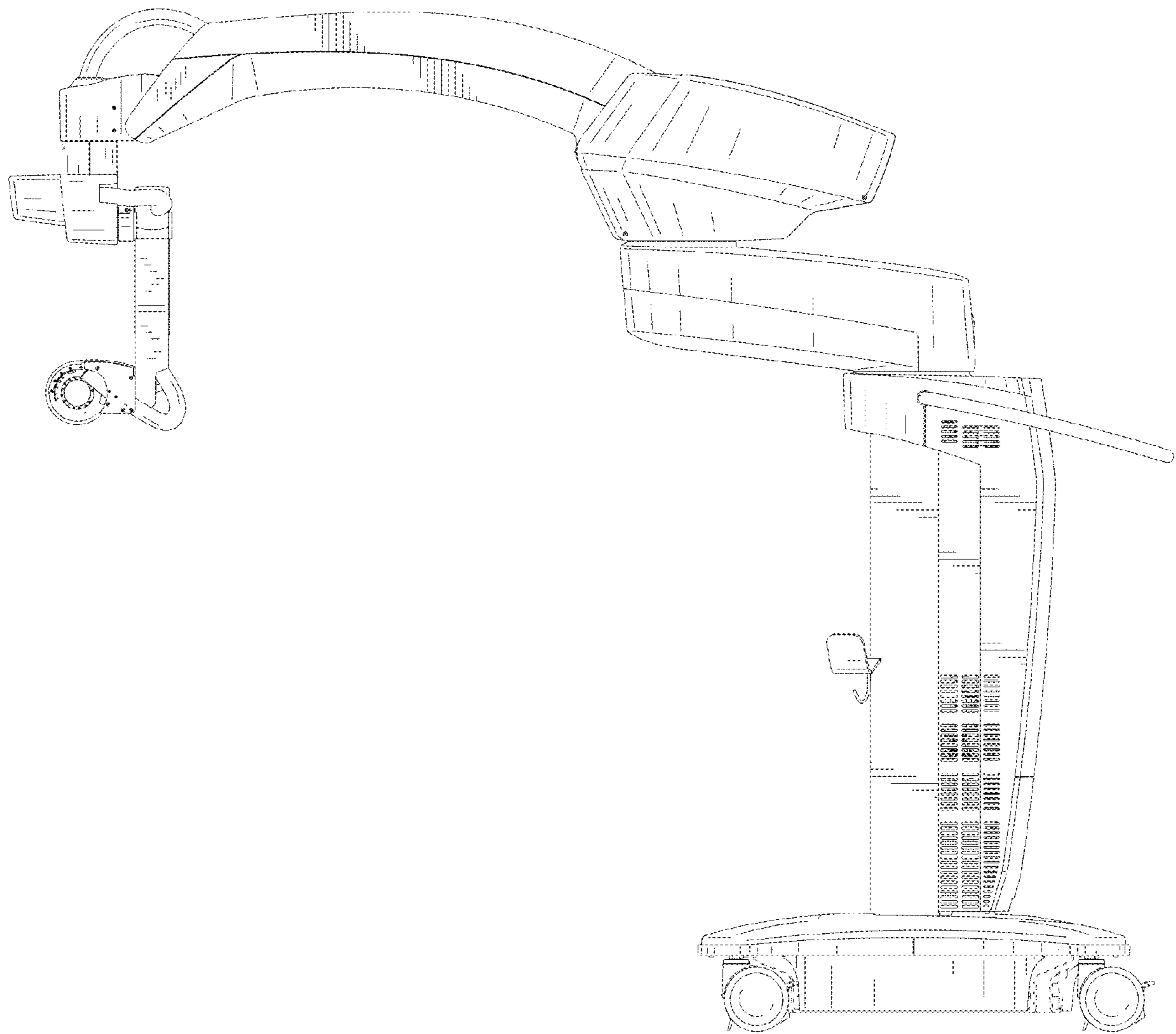


FIG. 8

UNITED STATES PATENT AND TRADEMARK OFFICE  
**CERTIFICATE OF CORRECTION**

PATENT NO. : D947,919 S  
APPLICATION NO. : 29/684045  
DATED : April 5, 2022  
INVENTOR(S) : W. Matuschek et al.

Page 1 of 1

It is certified that error appears in the above-identified patent and that said Letters Patent is hereby corrected as shown below:

On the Title Page

Item [56], Page 2:

Line 7: delete "Dari" and insert -- Carl -- therefor.

Line 9: delete "Dari" and insert -- Carl -- therefor.

Line 11: delete "Dari" and insert -- Carl -- therefor.

Signed and Sealed this  
Ninth Day of August, 2022  
*Katherine Kelly Vidal*

Katherine Kelly Vidal  
*Director of the United States Patent and Trademark Office*