



US00D947918S

(12) **United States Design Patent** (10) **Patent No.:** **US D947,918 S**  
**Matuschek et al.** (45) **Date of Patent:** **\*\* Apr. 5, 2022**

(54) **SURGICAL MICROSCOPE WITH STAND**

(71) Applicant: **Carl Zeiss Meditec AG**, Jena (DE)

(72) Inventors: **Walter Matuschek**, Aalen (DE);  
**Christian Siegel**, Aalen (DE)

(73) Assignee: **Carl Zeiss Meditec AG**, Jena (DE)

(\*\*) Term: **15 Years**

(21) Appl. No.: **29/684,037**

(22) Filed: **Mar. 18, 2019**

(30) **Foreign Application Priority Data**

Sep. 18, 2018 (EM) ..... 005647054

(51) **LOC (13) Cl.** ..... **16-06**

(52) **U.S. Cl.**  
USPC ..... **D16/131**

(58) **Field of Classification Search**  
USPC ..... D16/130–136; D24/107, 128, 137, 138,  
D24/185, 186, 232, 234  
CPC ..... G02B 21/00; G02B 21/002; G02B 21/06;  
G02B 21/082  
See application file for complete search history.

(56) **References Cited**

**U.S. PATENT DOCUMENTS**

- 6,471,165 B2 \* 10/2002 Twisselmann ..... F16M 11/18  
248/123.11  
D482,708 S \* 11/2003 Matuschek ..... D16/131  
D623,210 S \* 9/2010 Matuschek ..... D16/131  
D626,236 S \* 10/2010 Ninomiya ..... D24/185  
D634,344 S \* 3/2011 Nusser ..... D16/131  
D649,992 S \* 12/2011 Nusser ..... D16/131  
D650,405 S \* 12/2011 Nusser ..... D16/131  
D666,653 S \* 9/2012 Nusser ..... D16/131  
D707,359 S \* 6/2014 Kim ..... D24/185  
D707,360 S \* 6/2014 Kim ..... D24/185  
D716,448 S \* 10/2014 Kim ..... D24/158

- D751,209 S \* 3/2016 DiMino ..... D24/186  
D758,465 S \* 6/2016 Matuschek ..... D16/131  
D836,692 S \* 12/2018 Matuschek ..... D16/131  
D836,693 S \* 12/2018 Matuschek ..... D16/131  
D837,856 S \* 1/2019 Matuschek ..... D16/131  
D841,070 S \* 2/2019 Matuschek ..... D16/131  
D874,657 S \* 2/2020 Bailey ..... D24/185

(Continued)

**OTHER PUBLICATIONS**

Dari Zeiss Meditec AG brochure “OPMI Lumera 700 from ZEISS”,  
2014, 14 pages.

(Continued)

*Primary Examiner* — Holly E Thurman

(74) *Attorney, Agent, or Firm* — Walter Ottesen, P.A.

(57) **CLAIM**

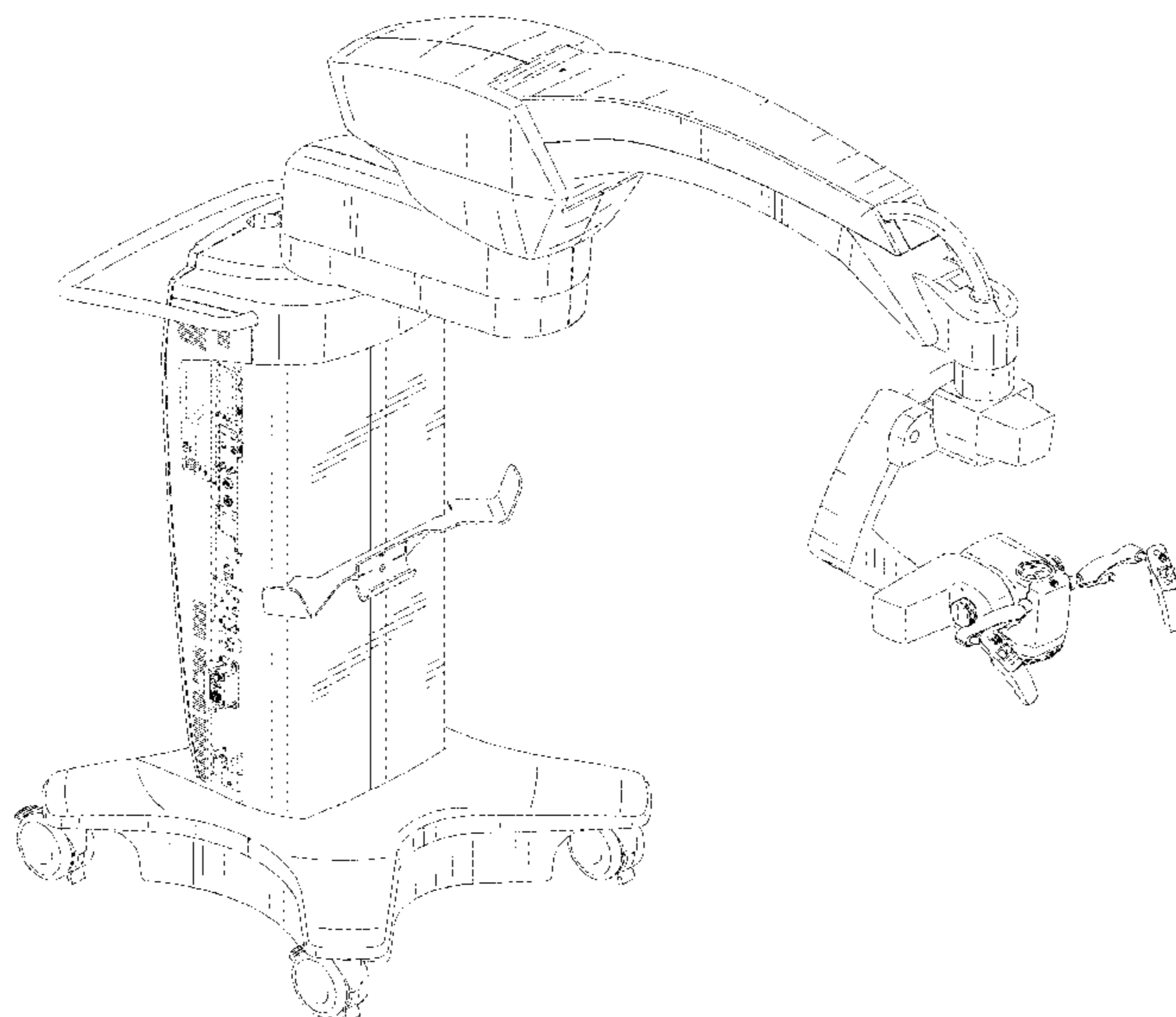
The ornamental design for a surgical microscope with stand,  
as shown and described.

**DESCRIPTION**

FIG. 1 is a first perspective view of the surgical microscope with stand of our new design;  
 FIG. 2 is a second perspective view of the surgical microscope with stand of FIG. 1;  
 FIG. 3 is a rear elevation view of the surgical microscope with stand of FIG. 1;  
 FIG. 4 is a front elevation view of the surgical microscope with stand of FIG. 1;  
 FIG. 5 is a top plan view of the surgical microscope with stand of FIG. 1;  
 FIG. 6 is a bottom plan view of the surgical microscope with stand of FIG. 1;  
 FIG. 7 is a right side elevation view of the surgical microscope with stand of FIG. 1; and,  
 FIG. 8 is a left side elevation view of the surgical microscope with stand of FIG. 1.

The broken lines form no part of the claimed design.

**1 Claim, 8 Drawing Sheets**



(56)

**References Cited**

U.S. PATENT DOCUMENTS

D881,963 S \* 4/2020 Liu ..... D16/131  
D881,964 S \* 4/2020 Liu ..... D16/131  
D881,965 S \* 4/2020 Liu ..... D16/131  
2003/0230698 A1 \* 12/2003 Strauss ..... F21V 21/06  
248/648  
2005/0041282 A1 \* 2/2005 Rudolph ..... G02B 7/001  
359/368

OTHER PUBLICATIONS

Dari Zeiss Meditec AG brochure "OPMI Vario from ZEISS", 2014,  
12 pages.  
Dari Zeiss Meditec AG brochure "OPMI Pentero 800 from ZEISS",  
2015, 7 pages.  
Dari Zeiss Meditec AG brochure "KINEVO 900 von ZEISS", 2017,  
22 pages.  
U.S. Appl. No. 29/684,005, filed Mar. 18, 2019, Carl Zeiss Meditec  
AG, Walter Matuschek Christian Siegel.  
U.S. Appl. No. 29/684,045, filed Mar. 18, 2019, Carl Zeiss Meditec  
AG, Walter Matuschek Christian Siegel.  
U.S. Appl. No. 29/684,052, filed Mar. 18, 2019, Carl Zeiss Meditec  
AG, Walter Matuschek Christian Siegel.

\* cited by examiner

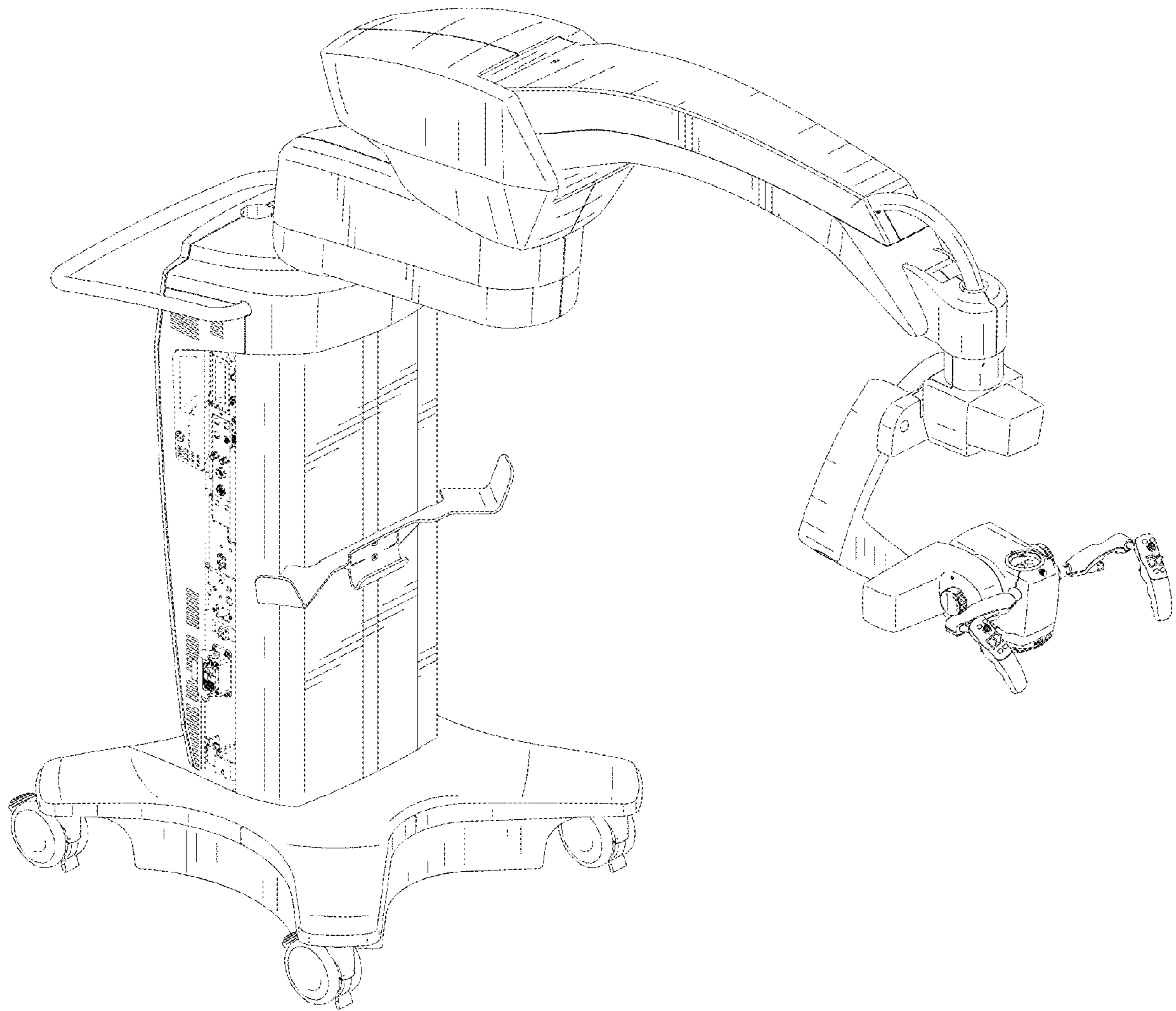


FIG. 1

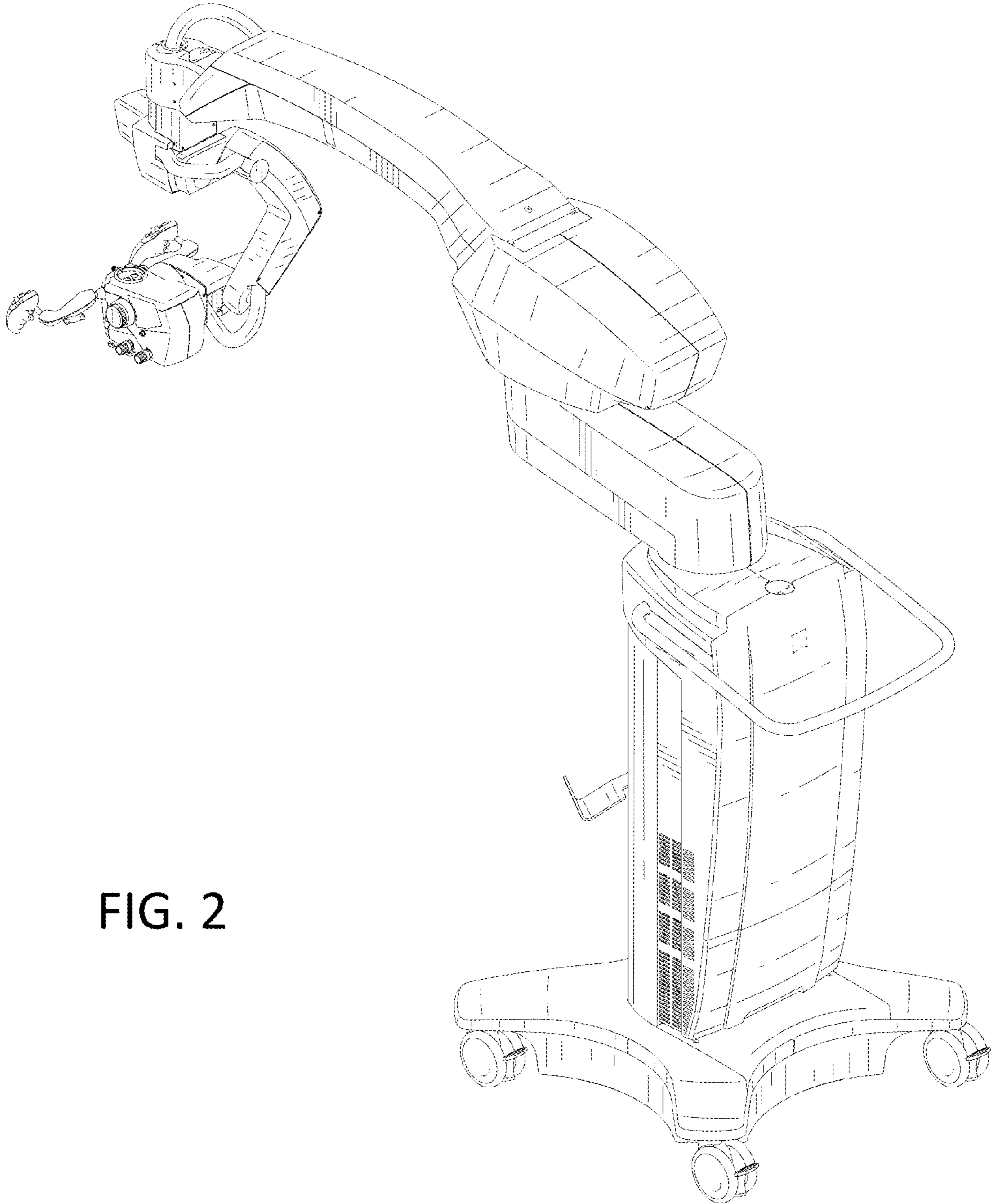


FIG. 2

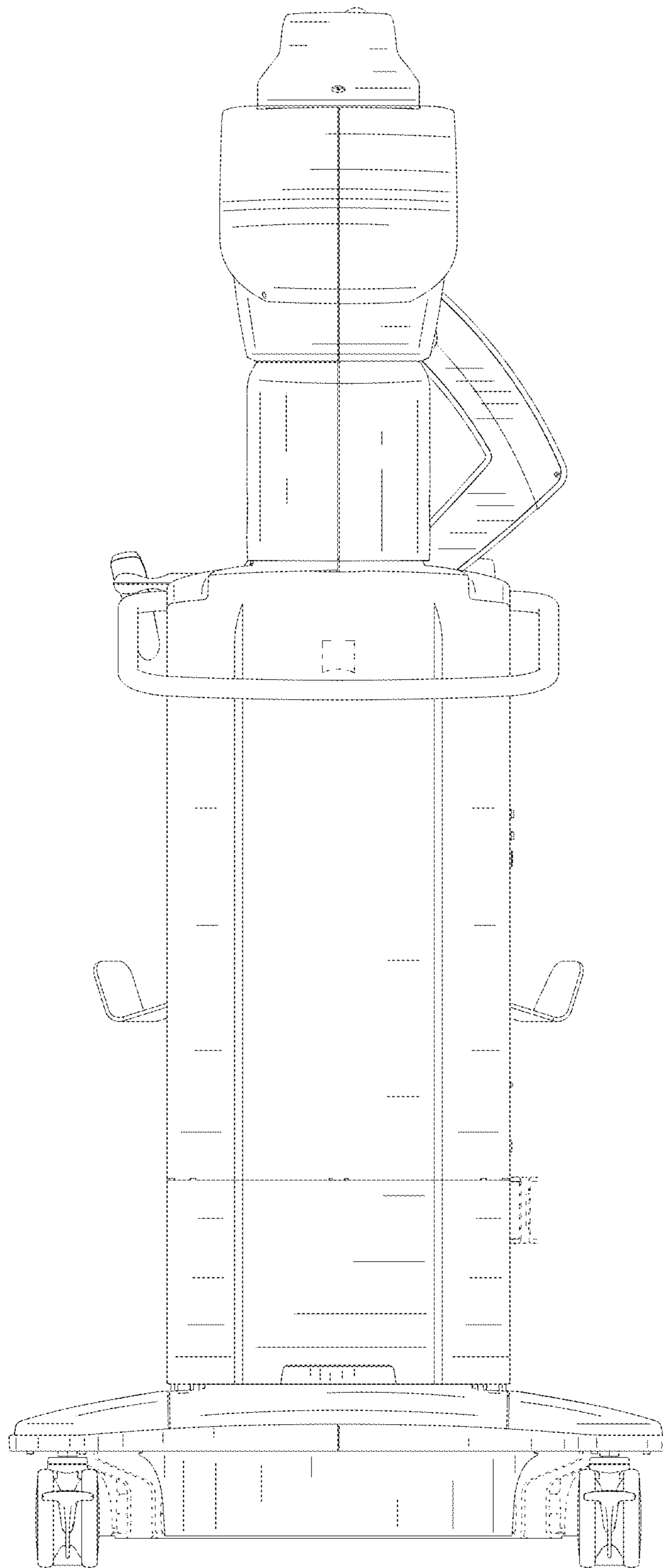


FIG. 3

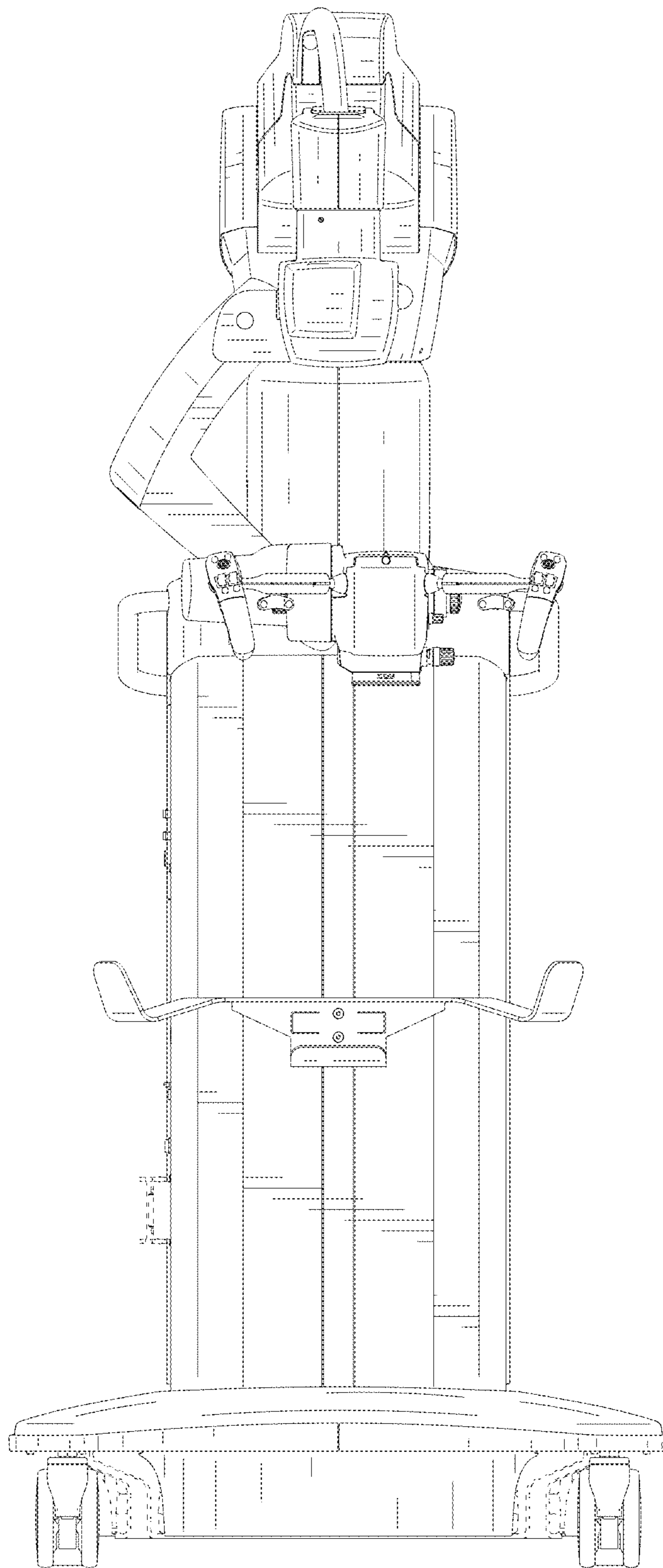


FIG. 4

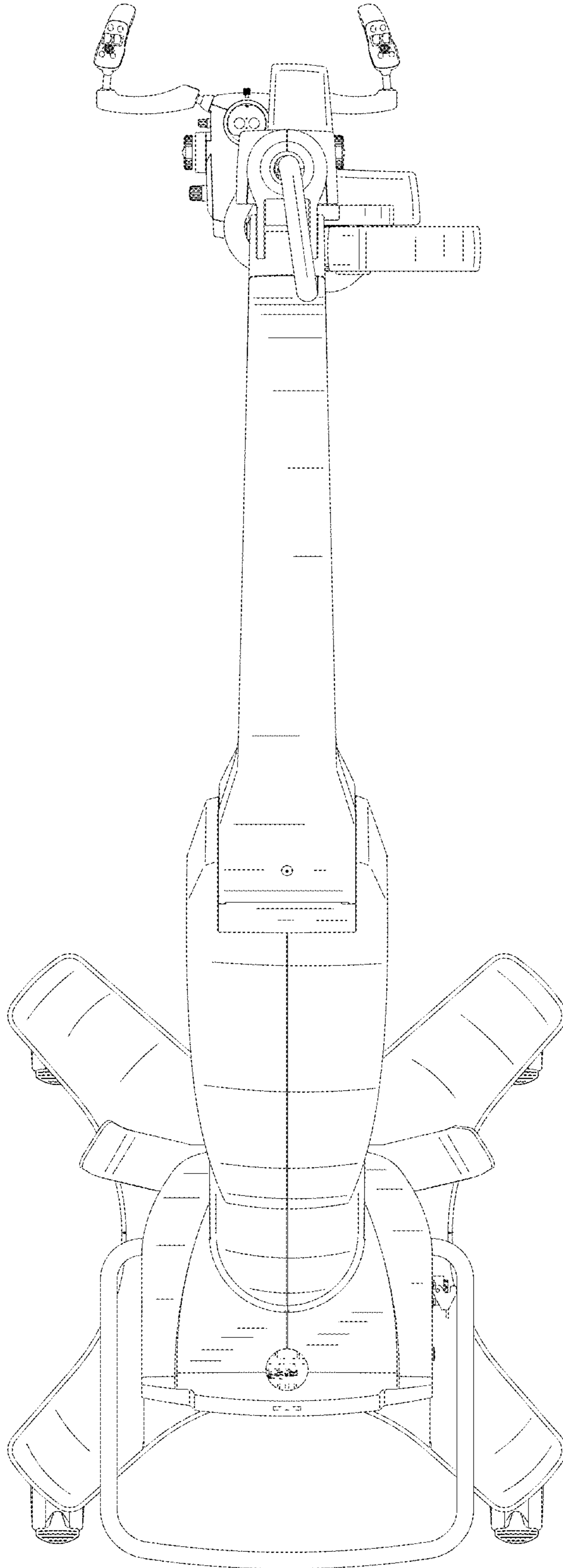


FIG. 5

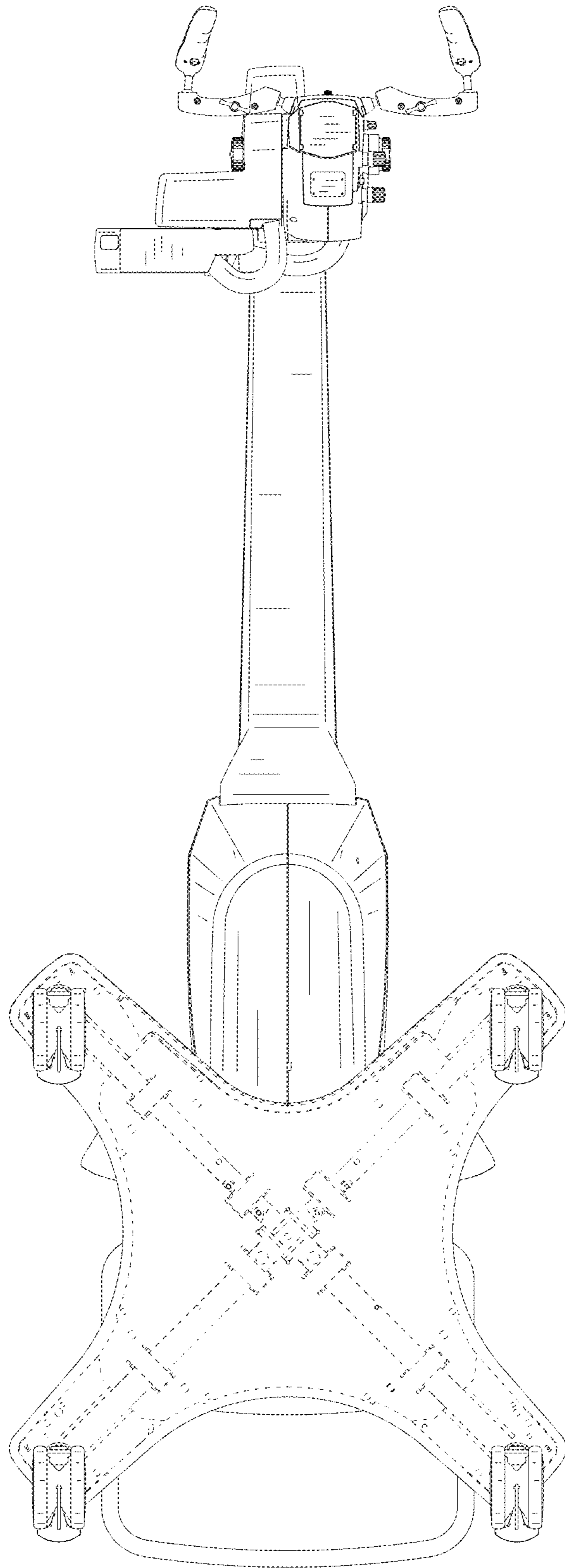


FIG. 6



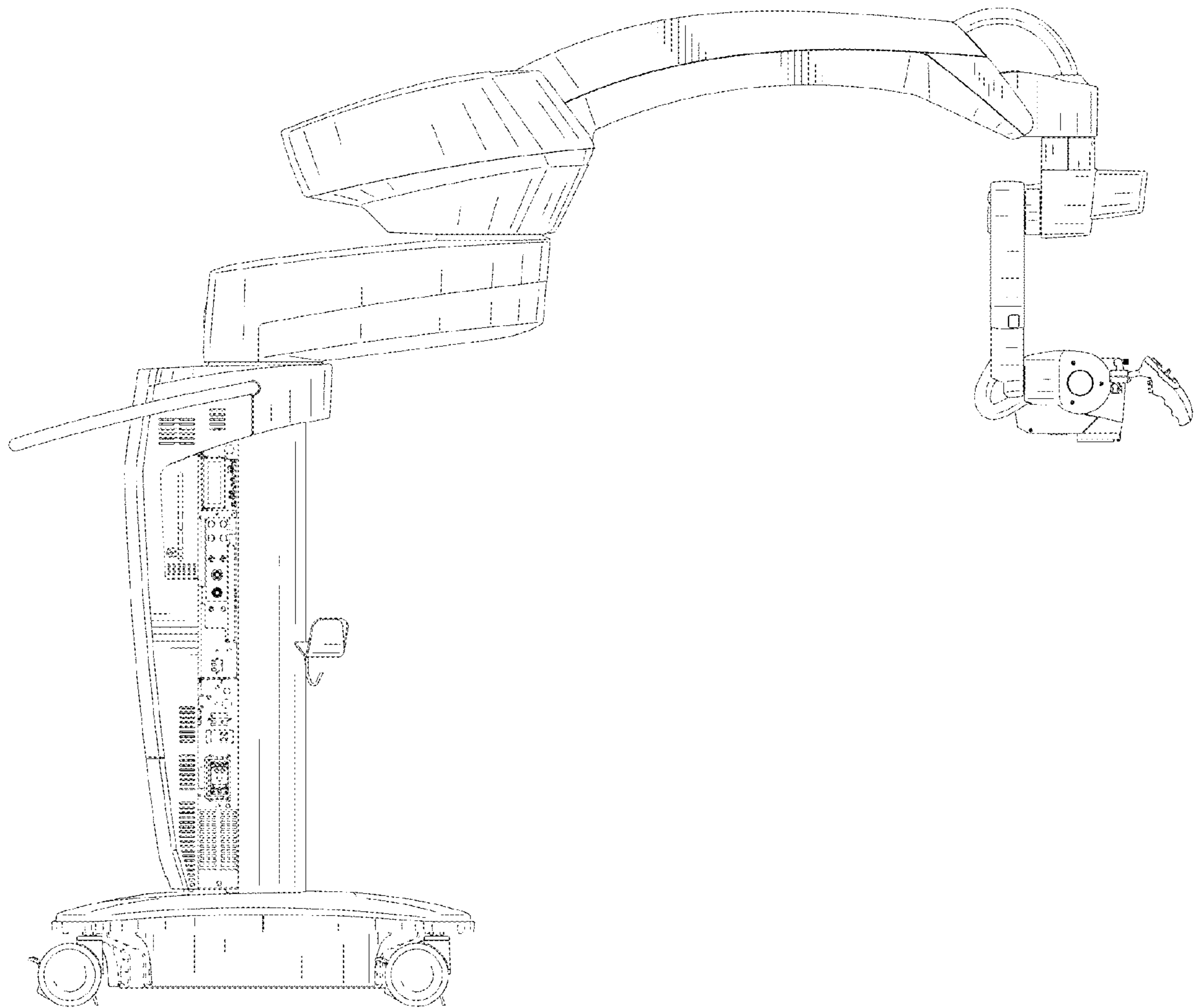


FIG. 7

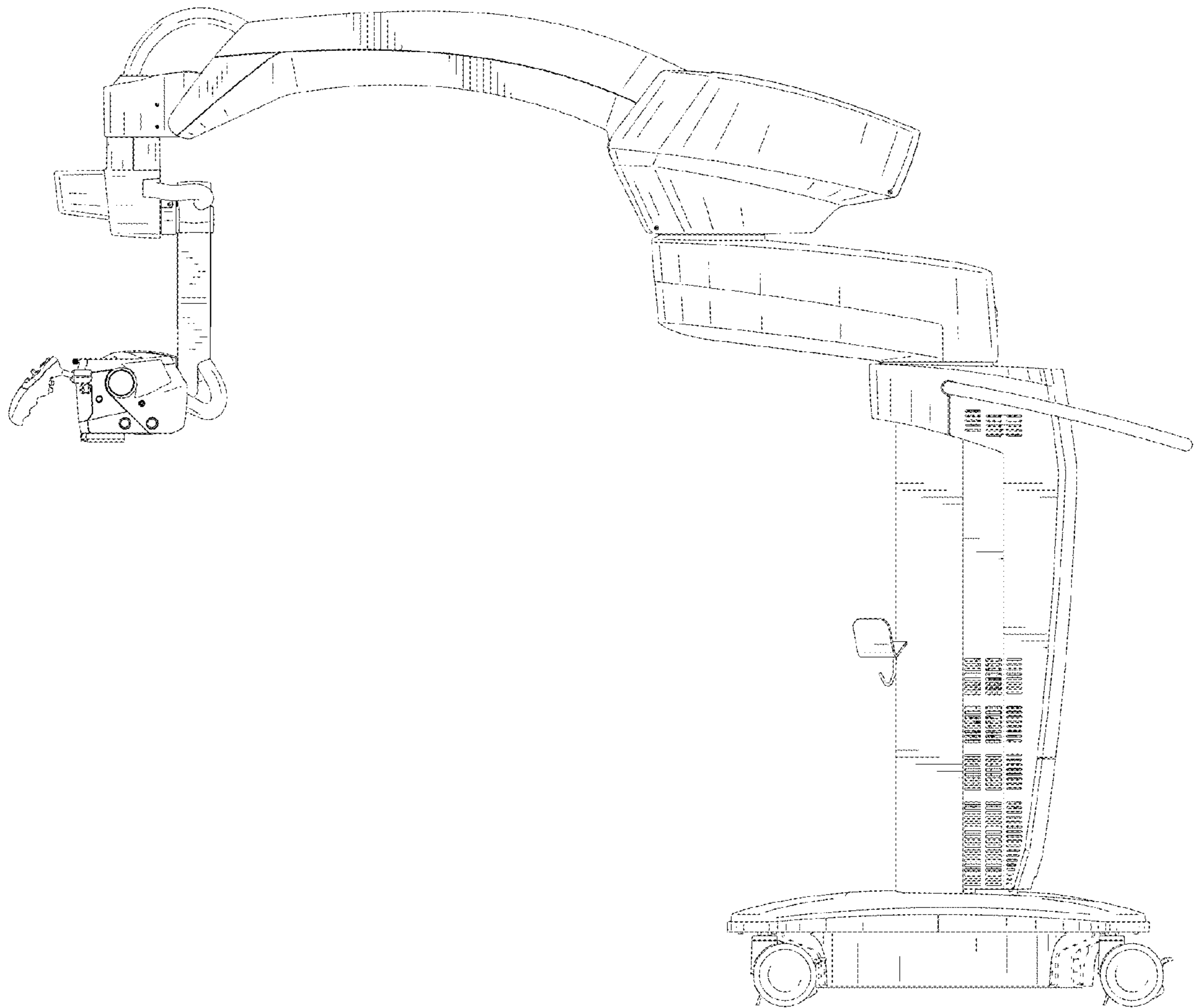


FIG. 8

UNITED STATES PATENT AND TRADEMARK OFFICE  
**CERTIFICATE OF CORRECTION**

PATENT NO. : D947,918 S  
APPLICATION NO. : 29/684037  
DATED : April 5, 2022  
INVENTOR(S) : W. Matuschek et al.

Page 1 of 1

It is certified that error appears in the above-identified patent and that said Letters Patent is hereby corrected as shown below:

On the Title Page

Item [56]:

Line 1: delete "Dari" and insert -- Carl -- therefor.

Item [56] On Page 2:

Line 1: delete "Dari" and insert -- Carl -- therefor.

Line 3: delete "Dari" and insert -- Carl -- therefor.

Line 5: delete "Dari" and insert -- Carl -- therefor.

Signed and Sealed this  
Ninth Day of August, 2022  
*Katherine Kelly Vidal*

Katherine Kelly Vidal  
*Director of the United States Patent and Trademark Office*