



US00D947916S

(12) **United States Design Patent** (10) **Patent No.:** **US D947,916 S**
Zhao (45) **Date of Patent:** **** Apr. 5, 2022**

(54) **AUTONOMY TRANSPORTATION VEHICLE WITH A LIFTABLE PLATFORM**

(71) Applicant: **FORWARDX ROBOTICS, Inc.**, San Jose, CA (US)

(72) Inventor: **Bing Zhao**, Beijing (CN)

(73) Assignee: **FORWARDX ROBOTICS, Inc.**, San Jose, CA (US)

(**) Term: **15 Years**

(21) Appl. No.: **35/510,309**

(22) Filed: **Aug. 28, 2020**

(80) **Hague Agreement Data**

Int. Filing Date: **Aug. 28, 2020**

Int. Reg. No.: **DM/210145**

Int. Reg. Date: **Aug. 28, 2020**

Int. Reg. Pub. Date: **Sep. 18, 2020**

(30) **Foreign Application Priority Data**

Mar. 4, 2020 (CN) 202030069355.2

(51) **LOC (13) Cl.** **15-99**

(52) **U.S. Cl.**
USPC **D15/199**
CPC **B65G 1/0492** (2013.01)

(58) **Field of Classification Search**

USPC D12/1, 129; D15/199; D32/21; D34/12, D34/14, 16, 17, 20-27; 180/20; 280/33.991-33.997, 47.35, 647, 651, 280/79.2, 79.3

CPC B25J 5/007; B25J 9/1694; G05D 1/027; G05D 1/0011; G05D 1/0231; G05D 1/0242; G05D 2201/0216; Y10S 901/01; Y10S 901/46; Y10S 901/49; B65G 1/0492; B66F 3/08

See application file for complete search history.

(56) **References Cited**

U.S. PATENT DOCUMENTS

D314,401 S * 2/1991 Lehman D20/3
6,561,294 B1 * 5/2003 Kamen B62D 37/00
180/21
6,907,949 B1 * 6/2005 Wang B60L 50/66
180/65.51

(Continued)

Primary Examiner — Richard E Chilcot

(74) *Attorney, Agent, or Firm* — NZ Carr Law Office, PLLC

(57) **CLAIM**

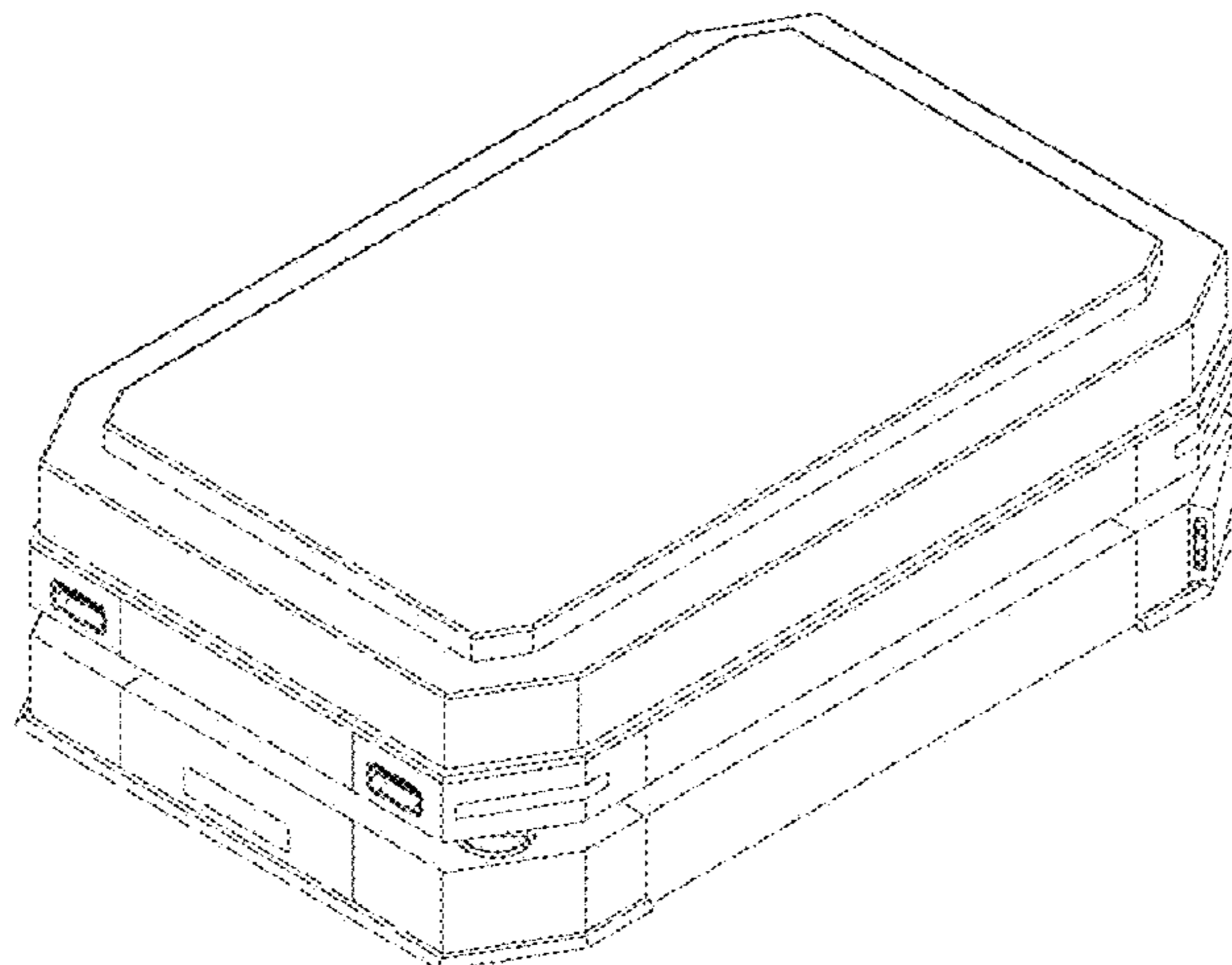
The ornamental design for an autonomy transportation vehicle with a liftable platform, as shown and described.

DESCRIPTION

1. Autonomy transportation vehicle with a liftable platform
 - 1.1 : Bottom
 - 1.2 : Perspective
 - 1.3 : Front
 - 1.4 : Left
 - 1.5 : Perspective
 - 1.6 : Back
 - 1.7 : Right
 - 1.8 : Top
 - 1.9 : Left
 - 1.10 : Front
 - 1.11 : Perspective
 - 1.12 : Perspective
 - 1.13 : Bottom
 - 1.14 : Back
 - 1.15 : Right
 - 1.16 : Top

The present application shows a new, original, and ornamental design for an autonomy transportation vehicle with a liftable platform; drawings shows two states: reproductions 1.1 to 1.8 show the state that the platform is embedded

(Continued)



within the vehicle body and reproductions 1.9 to 1.16 show the state that the platform is lifted out from the vehicle body.

1 Claim, 16 Drawing Sheets

(56)

References Cited

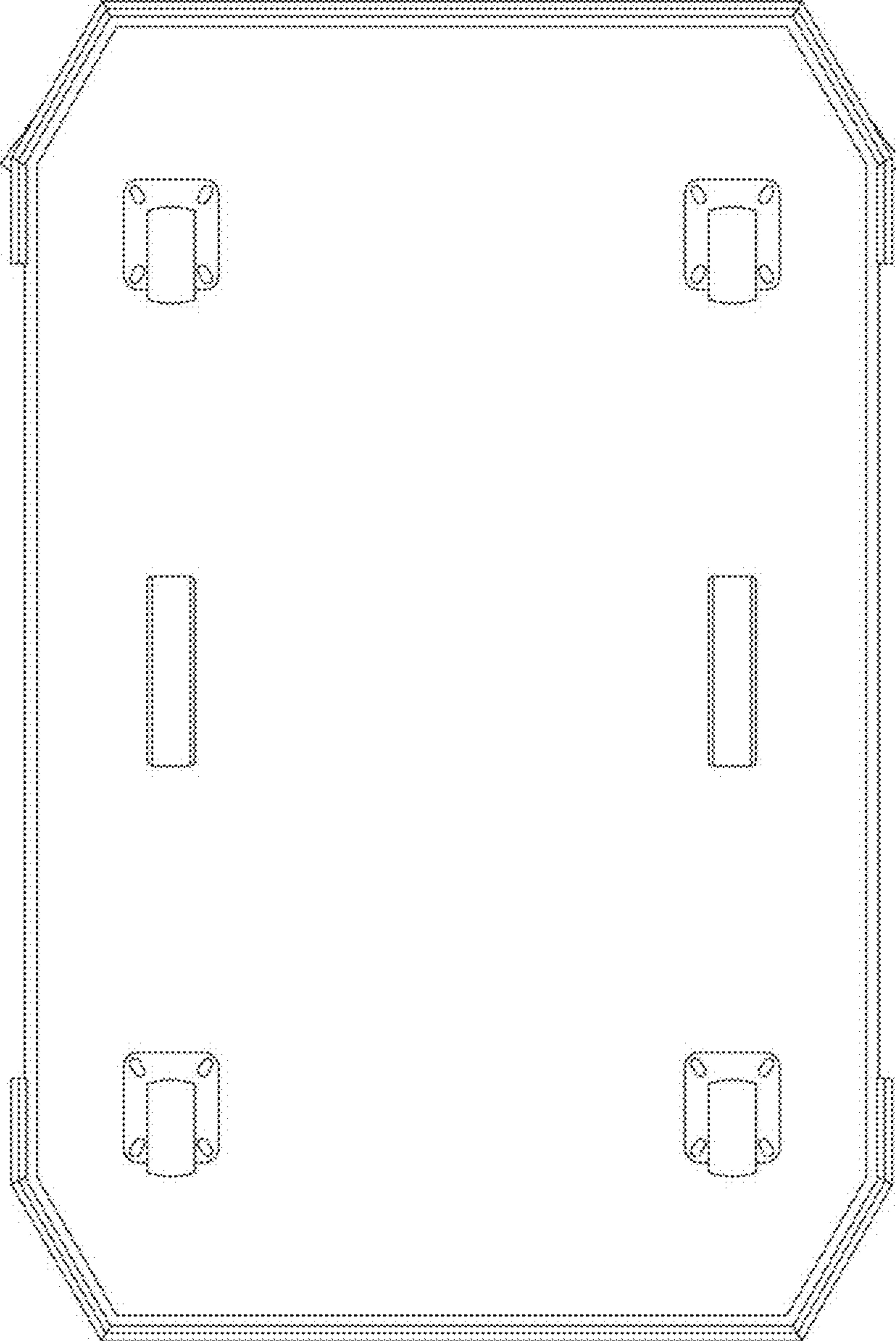
U.S. PATENT DOCUMENTS

7,171,286 B2 * 1/2007 Wang G16H 40/67
700/248
D549,756 S * 8/2007 Park D15/199
D572,739 S * 7/2008 Jennings D15/199
D579,035 S * 10/2008 Kim B25J 11/008
D15/199
D594,492 S * 6/2009 Stratton D15/199
D608,804 S * 1/2010 Labak D15/199
7,703,568 B2 * 4/2010 Ishii G05D 1/0891
180/218
7,784,206 B2 * 8/2010 Trainer G09F 15/0087
40/586
D627,377 S * 11/2010 Wiley D15/199
D644,256 S * 8/2011 Kitano D15/199
8,201,653 B2 * 6/2012 Strassman B60N 2/002
180/218
D701,256 S * 3/2014 Song D15/199
8,800,697 B2 * 8/2014 Hoffmann B62K 1/00
180/21
D722,631 S * 2/2015 Stone D15/199
D722,632 S * 2/2015 Stone D15/199
D725,167 S * 3/2015 Song D15/199
D732,096 S * 6/2015 Jang D15/199
D735,258 S * 7/2015 Jang D15/199
9,085,334 B2 * 7/2015 Hoffmann B60L 7/12
D739,450 S * 9/2015 Jain D15/199
9,188,984 B2 * 11/2015 Kamen B62K 11/007
D752,668 S * 3/2016 Pedersen D15/199
D761,339 S * 7/2016 White, Jr. D15/199
9,545,963 B2 * 1/2017 Kamen B60G 11/14
D802,040 S * 11/2017 Canoso D15/199
D805,568 S * 12/2017 Ke D15/199
D810,167 S * 2/2018 Yang D15/199
D810,799 S * 2/2018 Sokuza D15/199
D810,800 S * 2/2018 Wang D15/199
D811,458 S * 2/2018 Wang D15/199
D812,663 S * 3/2018 Waters D15/199
D813,281 S * 3/2018 Kittmann D15/199
D816,119 S * 4/2018 Pu D15/1
D816,778 S * 5/2018 Yang D21/421
D817,375 S * 5/2018 Deyle D15/199
D818,020 S * 5/2018 McGinn D15/199
D819,711 S * 6/2018 Li D15/199
D819,712 S * 6/2018 Gee D15/199
D820,157 S * 6/2018 Chen D12/1
D820,334 S * 6/2018 Lee D15/199
D822,736 S * 7/2018 Kato D15/199
D822,737 S * 7/2018 Kato D15/199
D822,738 S * 7/2018 Kato D15/199
D823,366 S * 7/2018 Kato D15/199

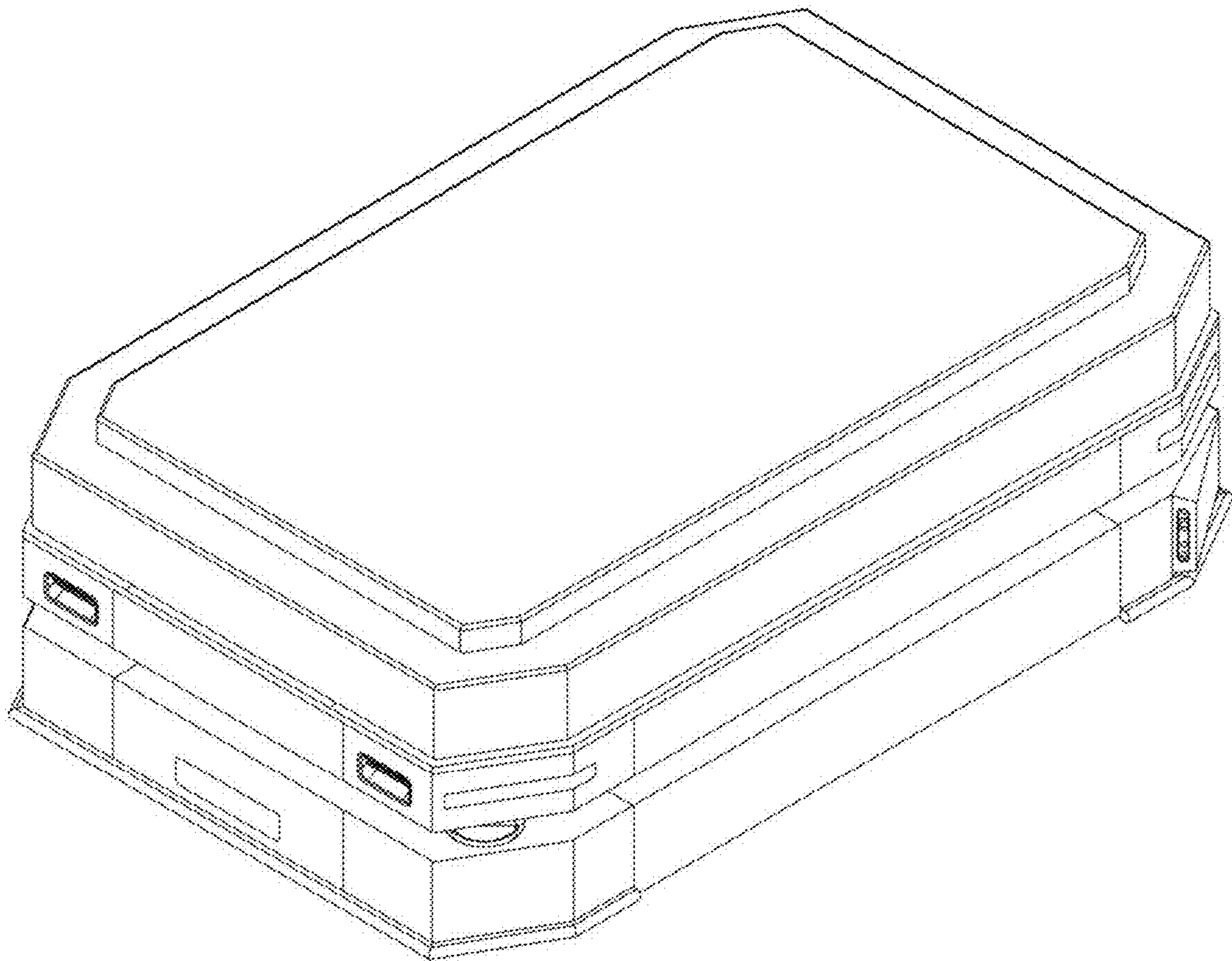
D826,302 S * 8/2018 Tsukamoto D15/199
D829,250 S * 9/2018 Zilbershtein D15/199
D829,251 S * 9/2018 Wang D15/199
D829,252 S * 9/2018 Wang D15/199
D829,793 S * 10/2018 Wang D15/199
D834,080 S * 11/2018 Tsukamoto D15/199
D835,544 S * 12/2018 Liu D12/1
D837,855 S * 1/2019 Chen D15/199
D839,940 S * 2/2019 McGinn D15/199
D840,451 S * 2/2019 Yoo D15/199
D840,452 S * 2/2019 Yoo D15/199
D840,453 S * 2/2019 Yoo D15/199
D841,067 S * 2/2019 Camporesi D15/199
D841,711 S * 2/2019 Liu D15/199
D843,428 S * 3/2019 Gee D15/199
D846,616 S * 4/2019 Deyle D15/199
D849,813 S * 5/2019 Sutherland D15/199
D852,860 S * 7/2019 Lee D15/199
D852,861 S * 7/2019 Lee D15/199
D854,595 S * 7/2019 Gayne D15/199
D855,673 S * 8/2019 Sutherland D15/199
D856,389 S * 8/2019 Gayne D15/199
D857,073 S * 8/2019 Gayne D15/199
D857,074 S * 8/2019 Kim D15/199
D859,485 S * 9/2019 Sutherland D15/199
D862,551 S * 10/2019 Chen D15/199
D864,271 S * 10/2019 Lai D15/199
D866,628 S * 11/2019 Xi D15/199
D868,864 S * 12/2019 Lachenmeier D15/199
D869,533 S * 12/2019 Kim D15/199
D870,787 S * 12/2019 Kim D15/199
D870,788 S * 12/2019 Kim D15/199
D872,788 S * 1/2020 Sutherland D15/199
D873,738 S * 1/2020 Armigliato D12/174
D877,786 S * 3/2020 Gayne D15/199
D879,852 S * 3/2020 Chen D15/199
D881,961 S * 4/2020 Bergeron D15/199
D884,043 S * 5/2020 Song D15/199
D893,570 S * 8/2020 Zheng D15/199
D896,858 S * 9/2020 Kapuria D15/199
D902,272 S * 11/2020 Cascajar Ordonez D15/199
D906,390 S * 12/2020 Kapuria D15/199
D907,084 S * 1/2021 Kapuria D15/199
D907,677 S * 1/2021 Mork D15/199
D908,152 S * 1/2021 Cacioppo D15/199
D908,153 S * 1/2021 Cacioppo D15/199
D912,119 S * 3/2021 Rembisz D15/199
D914,075 S * 3/2021 Sokuza D15/199
D918,977 S * 5/2021 Chrysanthakopoulos
A01M 21/04
D15/199
D921,082 S * 6/2021 Hernandez D15/199
D921,083 S * 6/2021 Hernandez D15/199
D924,291 S * 7/2021 Bangalore Srinivas D15/199
D924,955 S * 7/2021 Hoshino D15/199
2005/0134014 A1 * 6/2005 Xie B62D 51/02
280/93.502
2006/0202439 A1 * 9/2006 Kahlert B62K 11/007
280/47.24
2017/0038776 A1 * 2/2017 Gariepy G05D 1/0022
2018/0099810 A1 * 4/2018 Wu B65G 1/0492

* cited by examiner

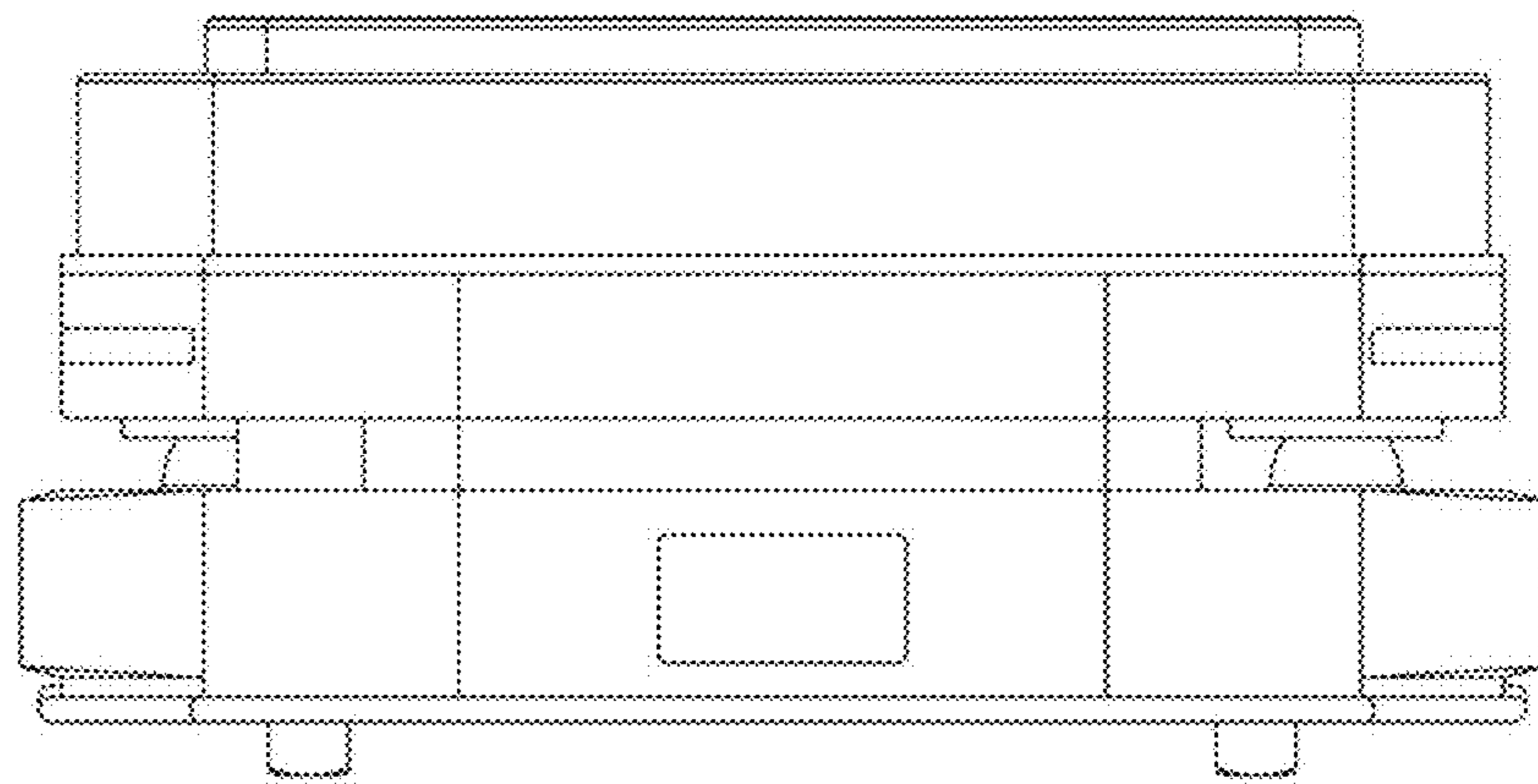
1.1



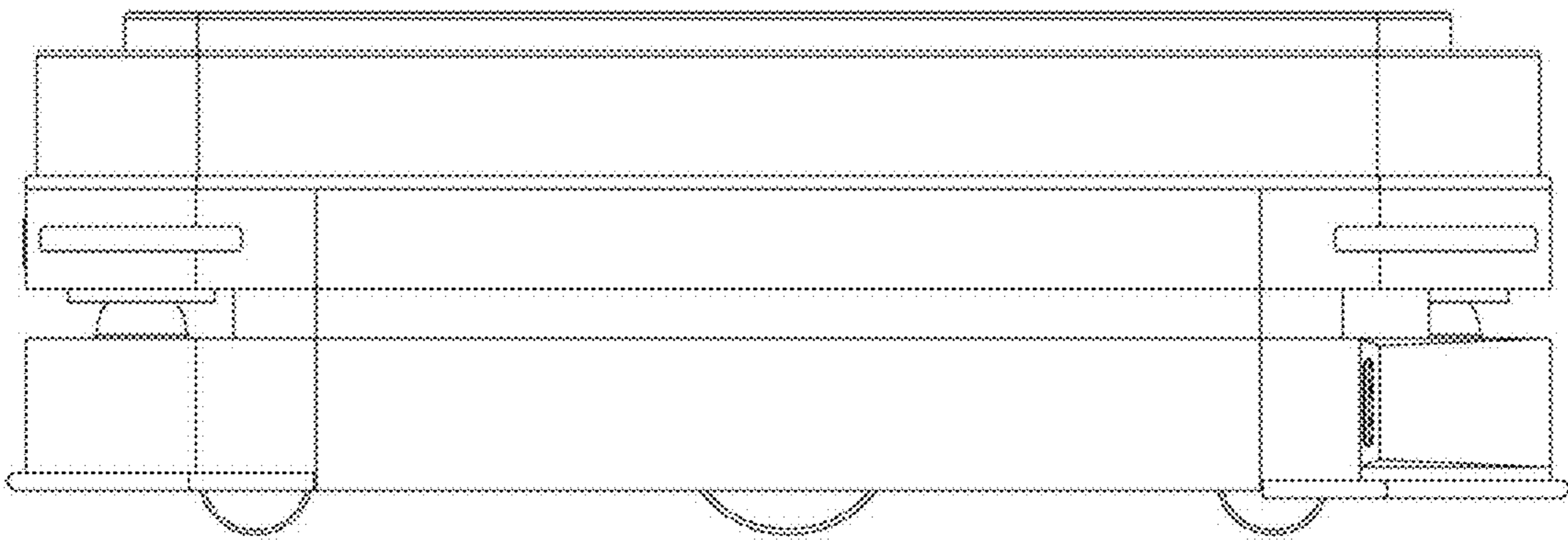
1.2



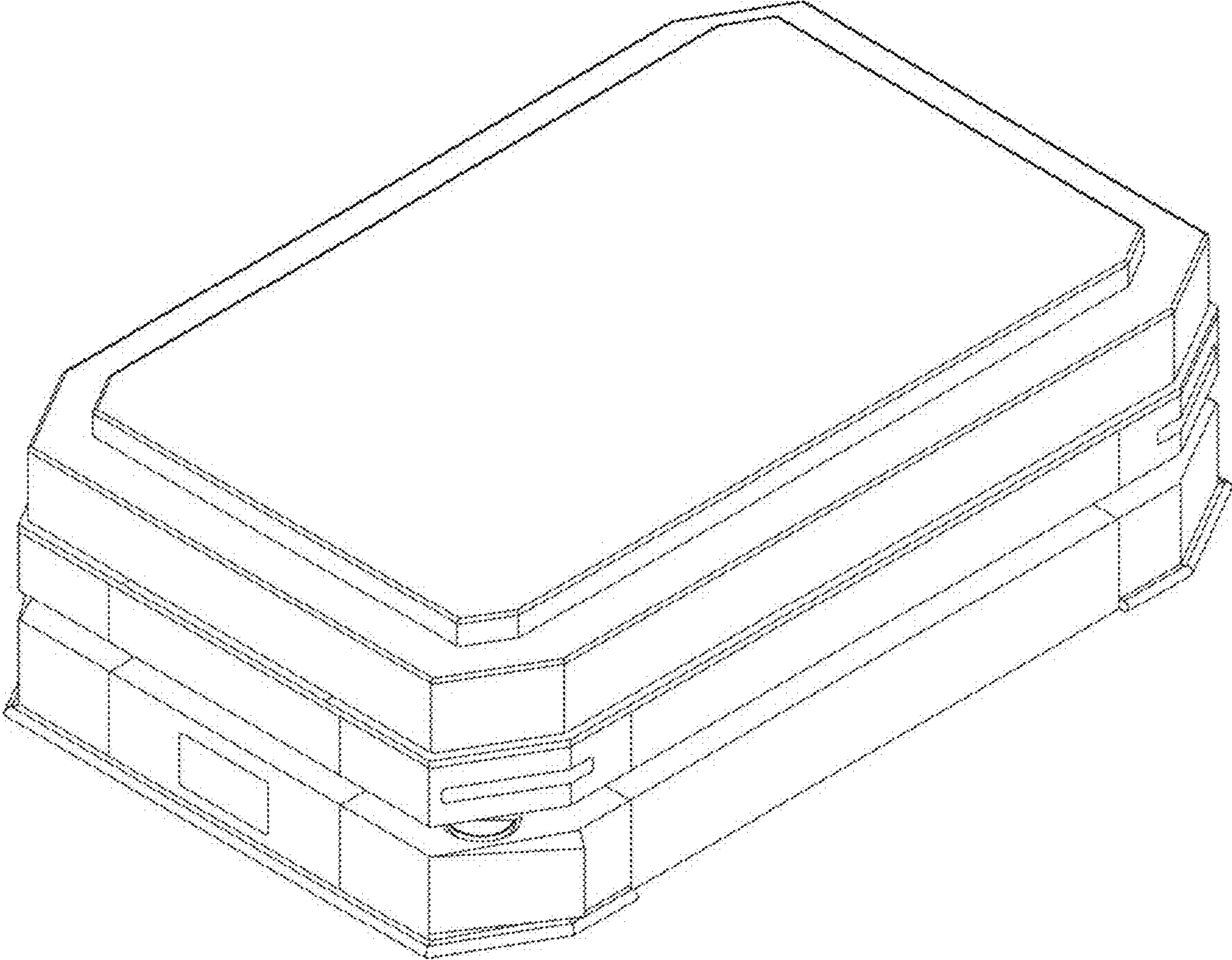
1.3



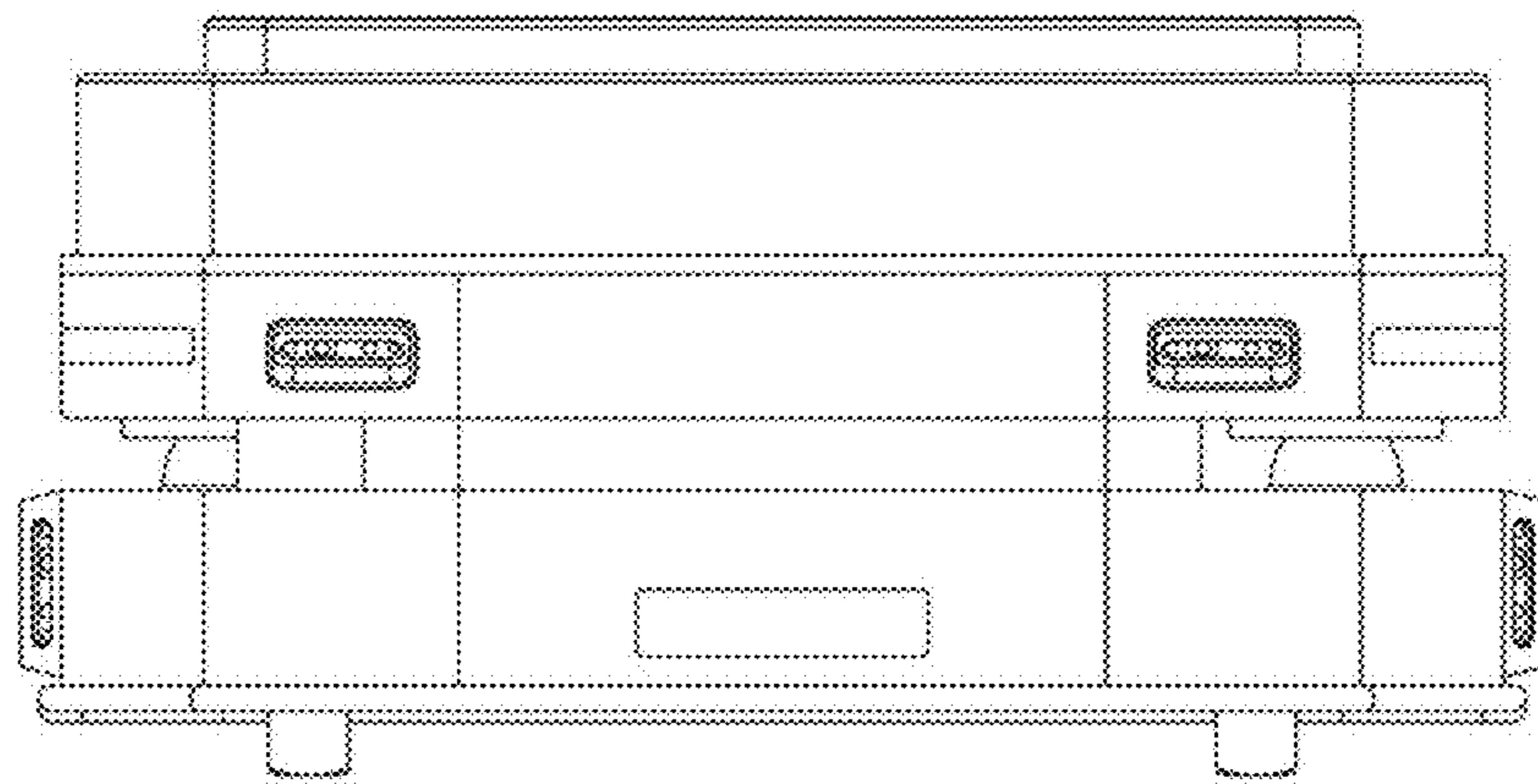
1.4



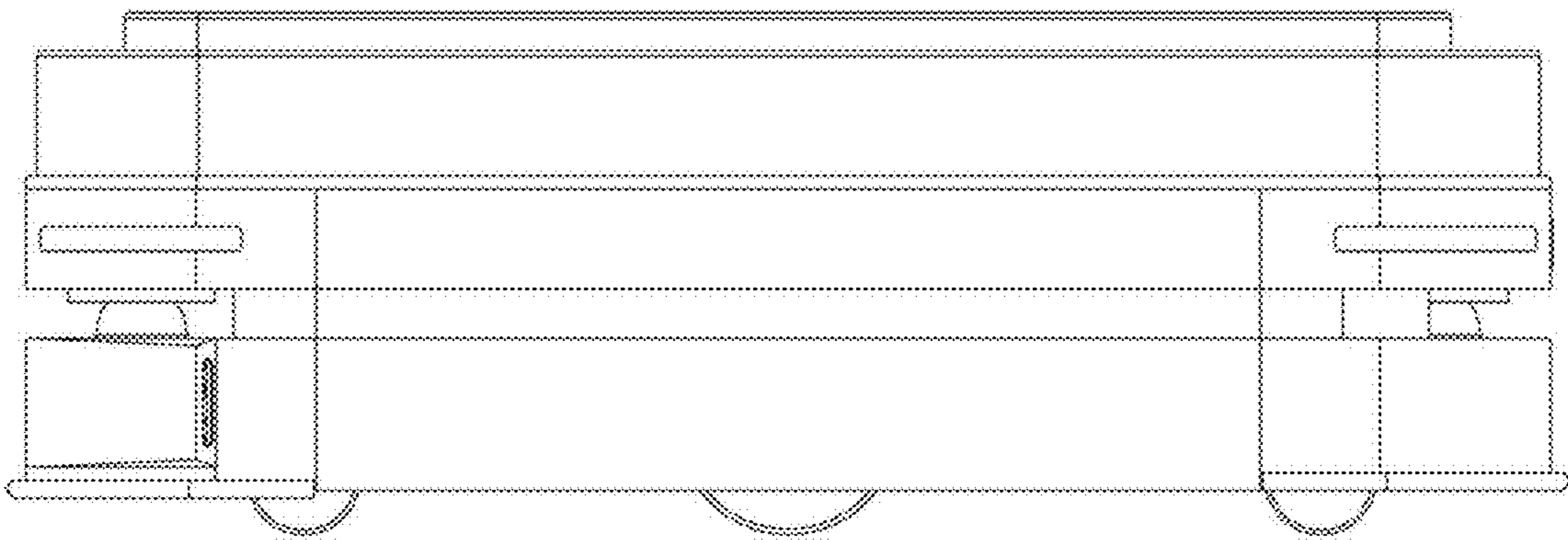
1.5



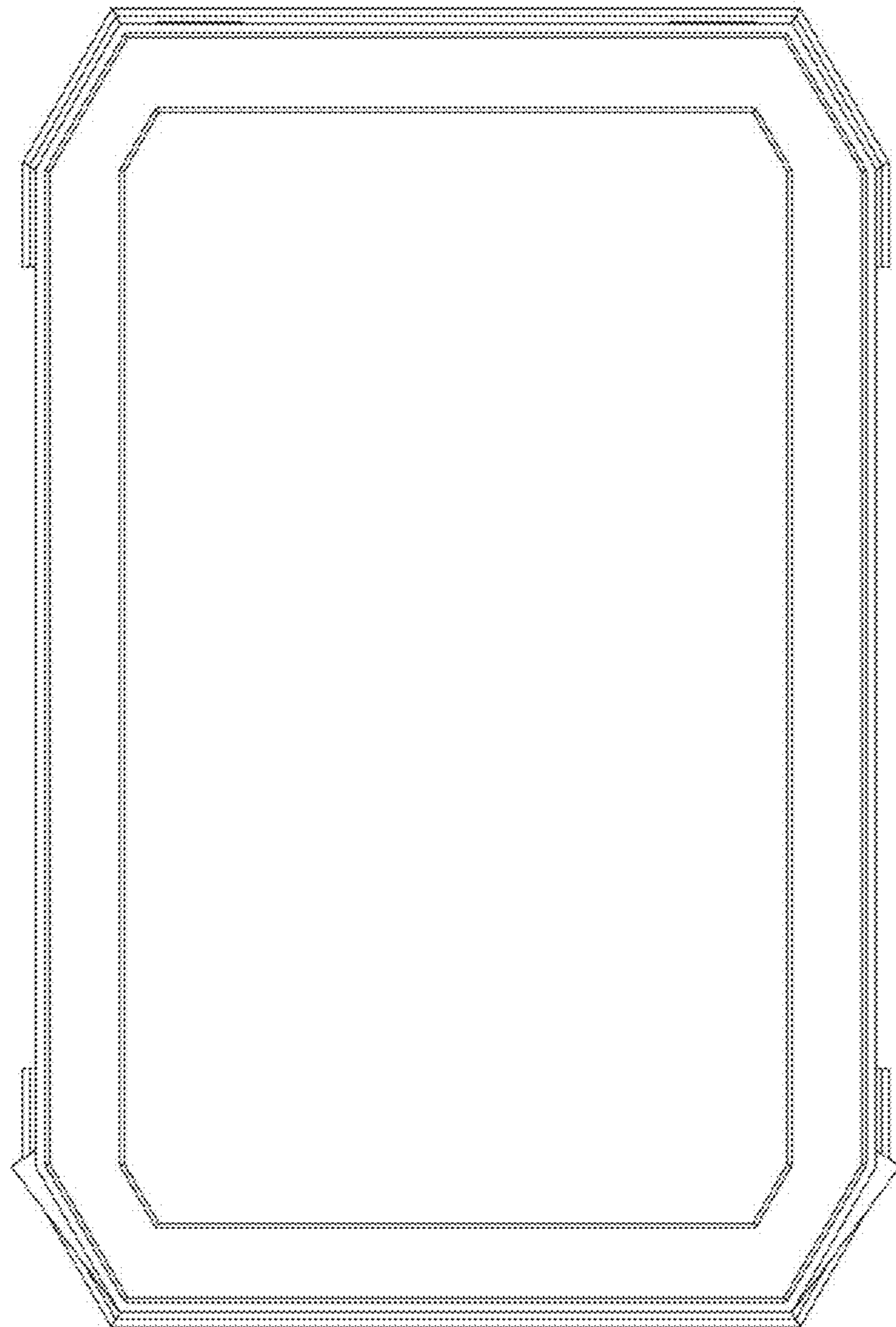
1.6



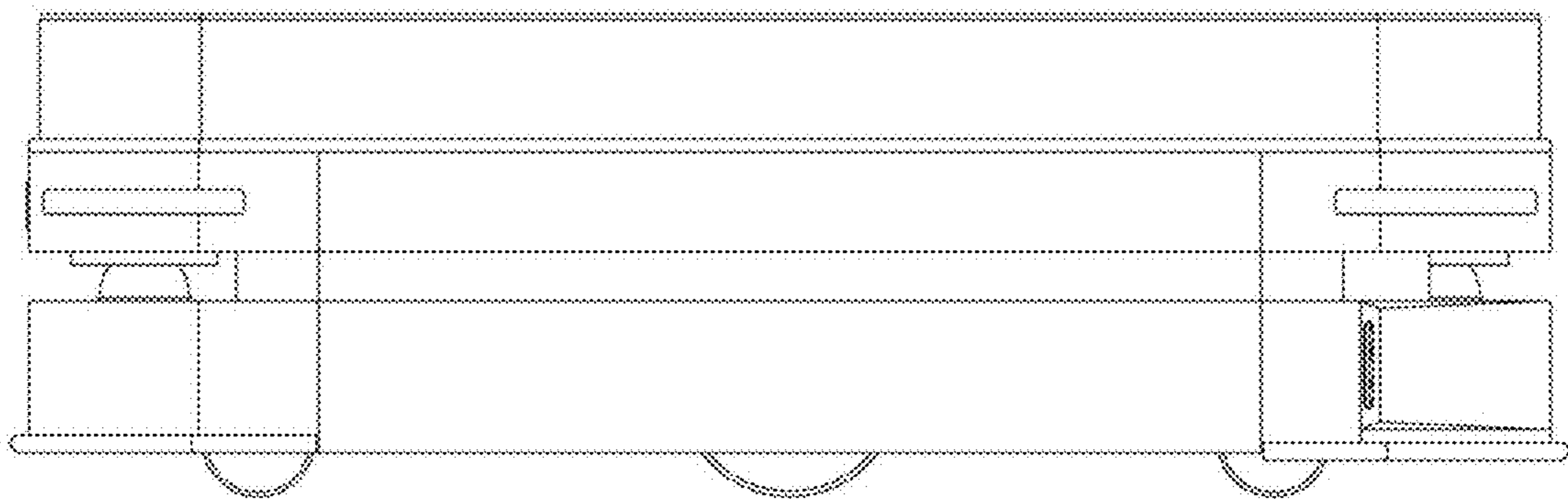
1.7



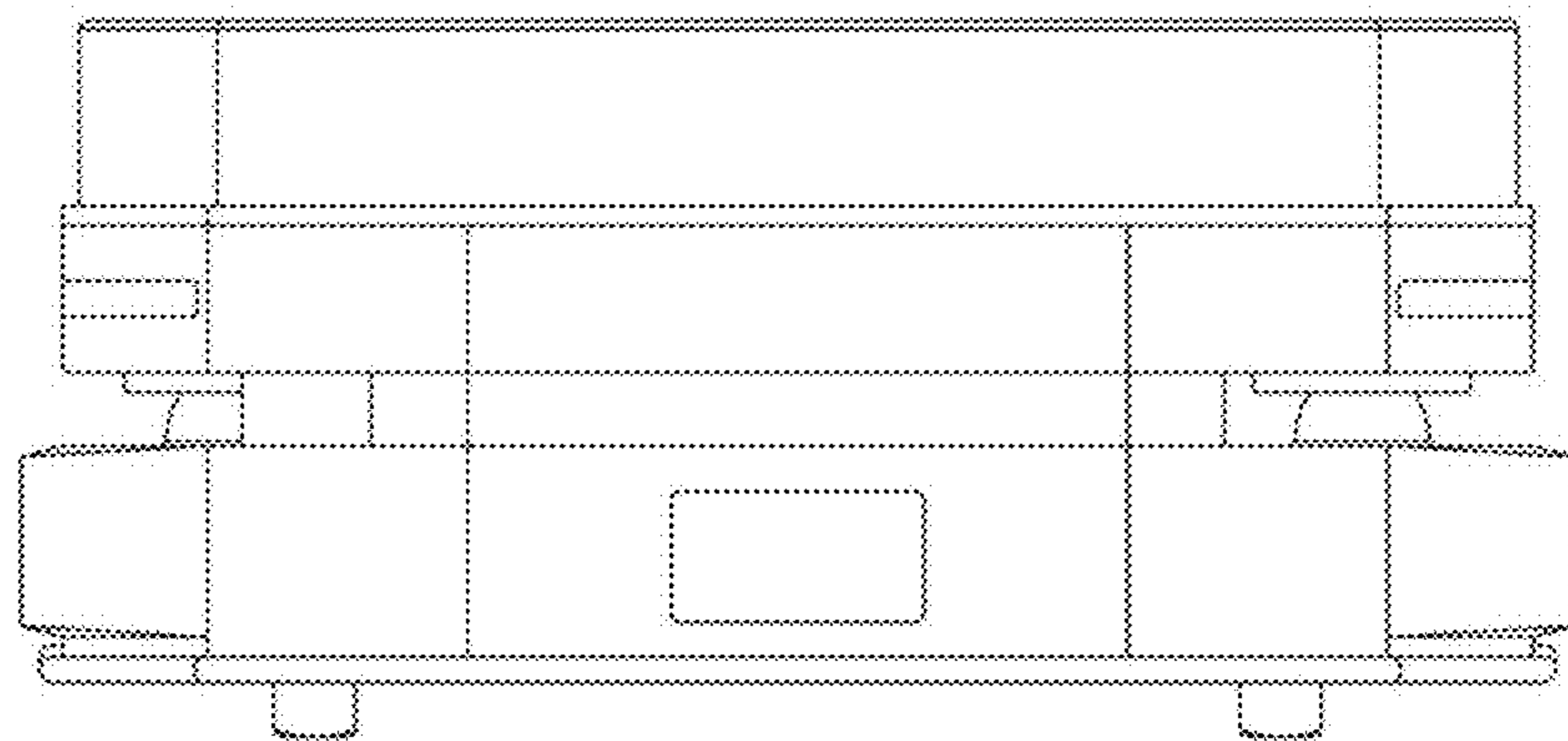
1.8



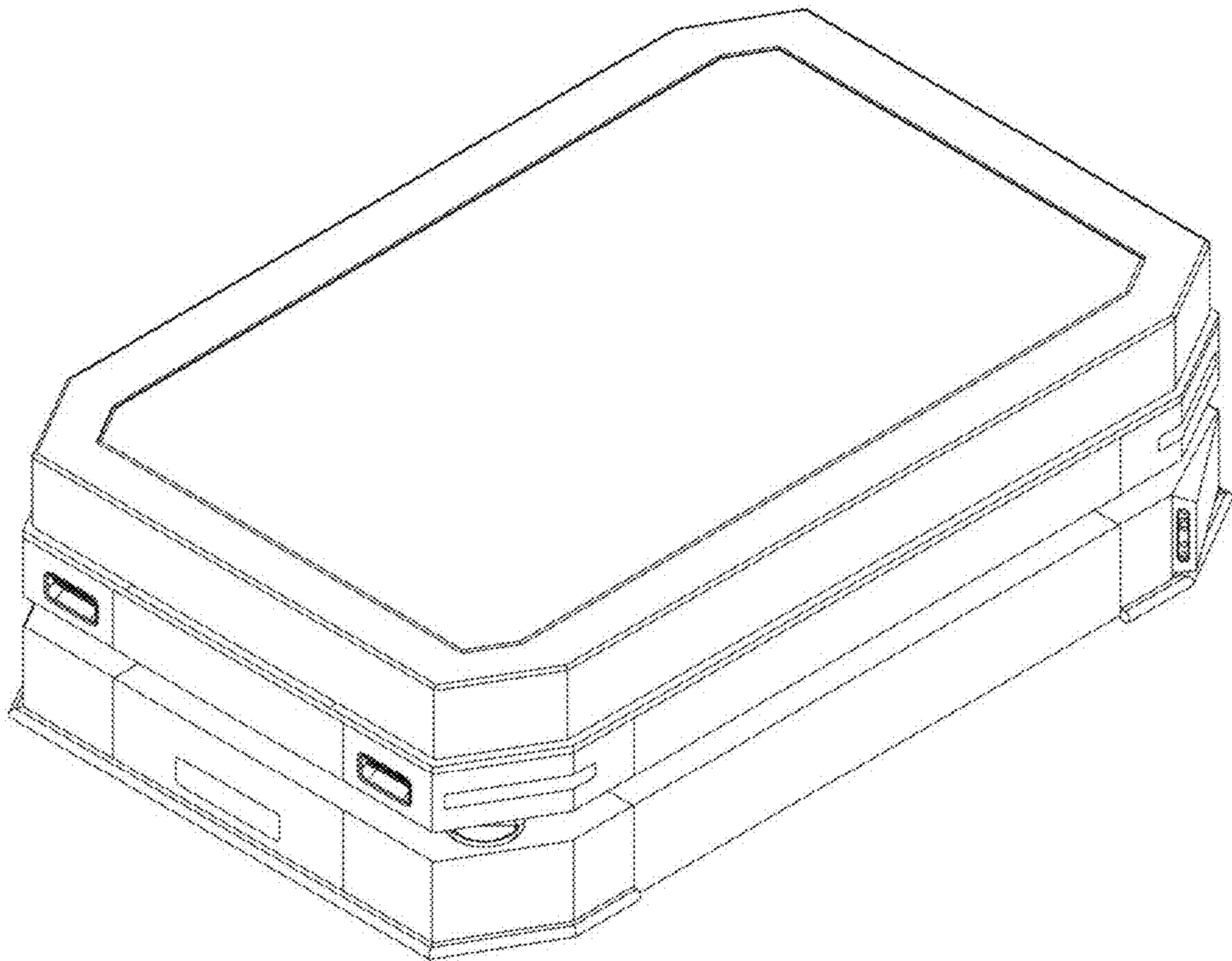
1.9



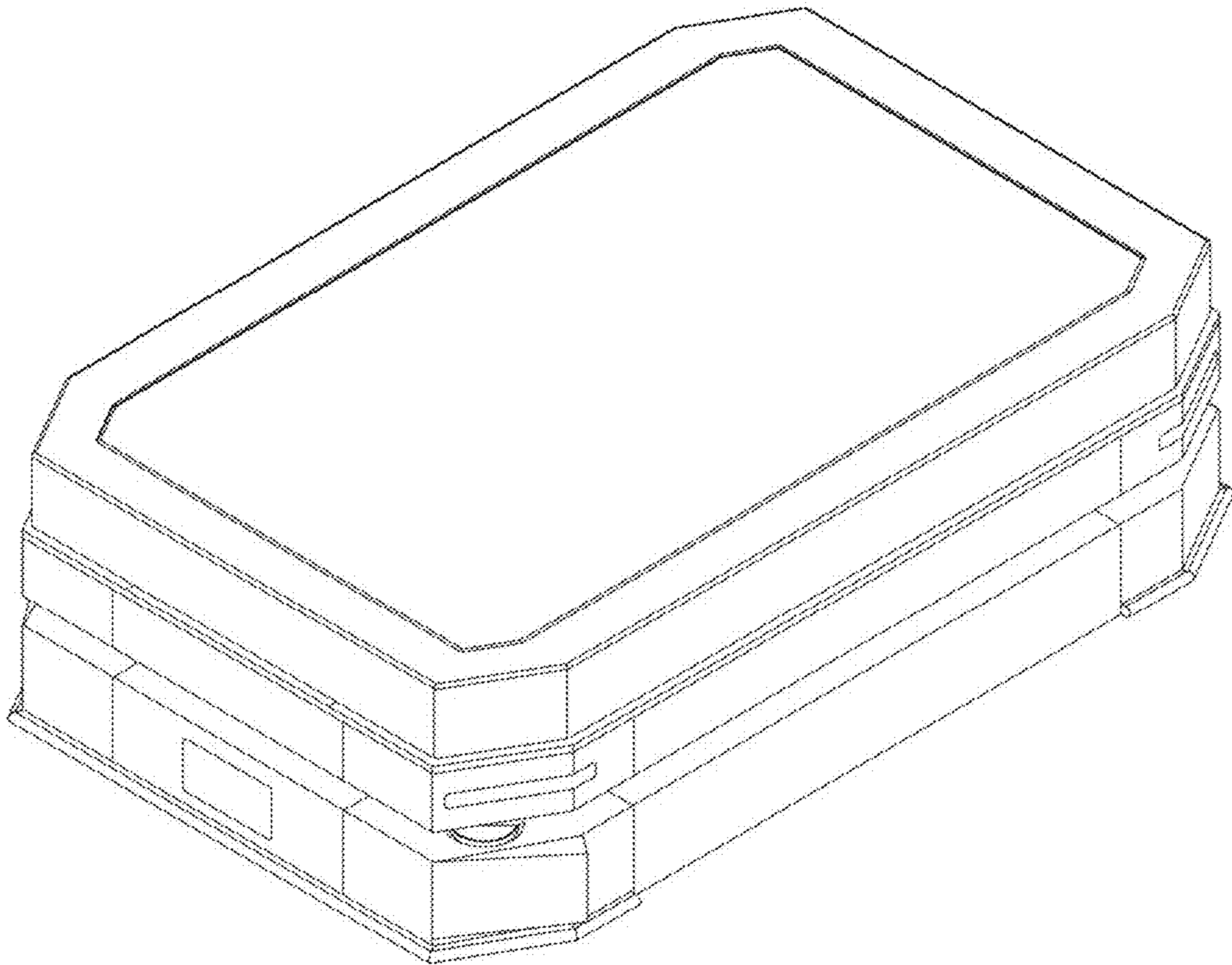
1.10



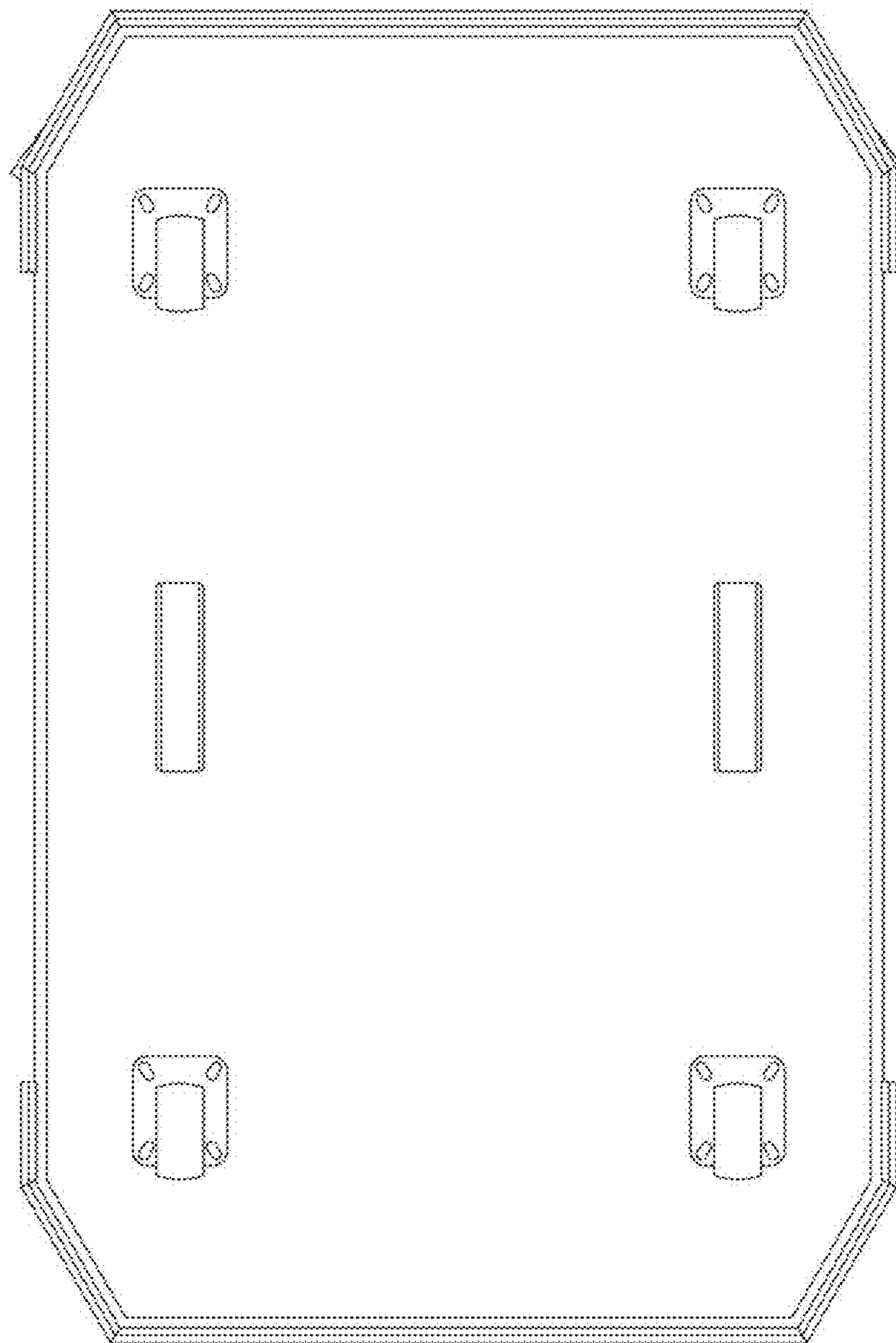
1.11



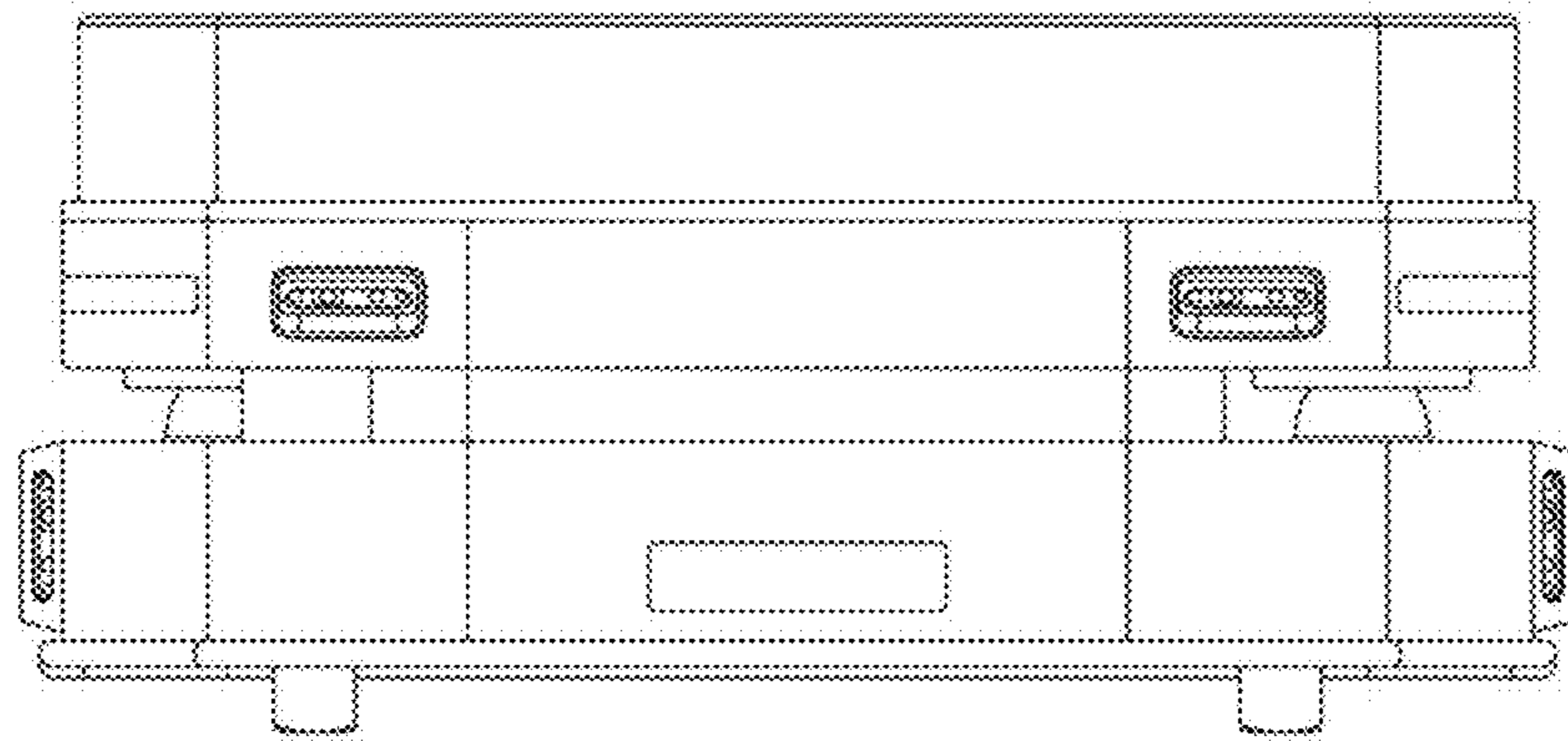
1.12



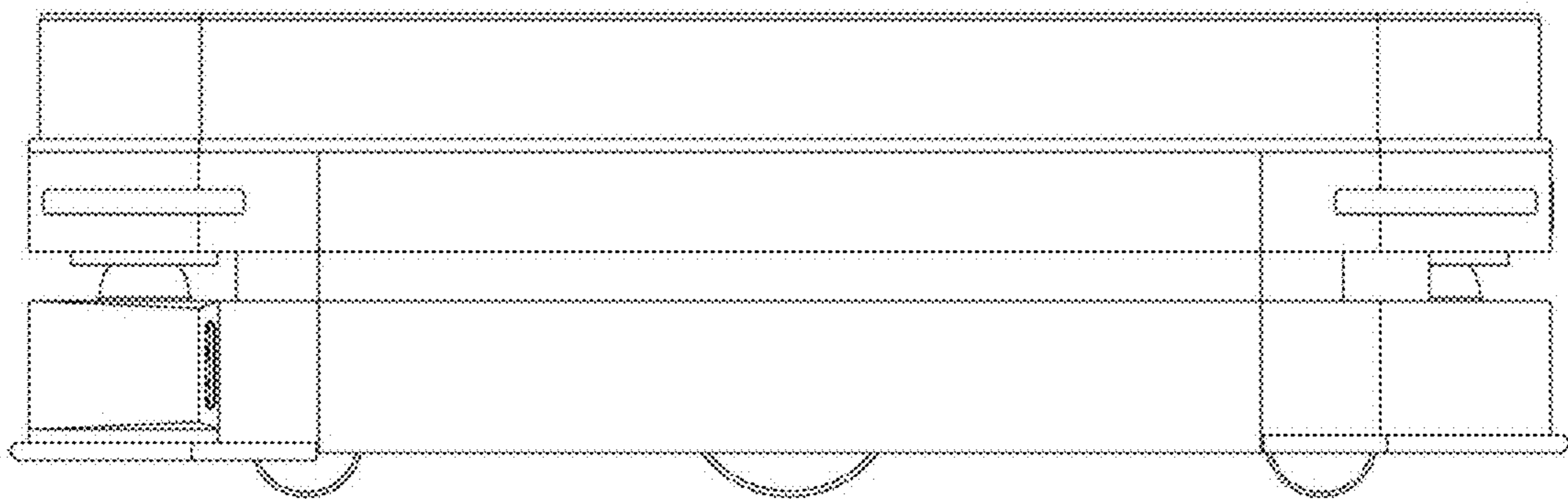
1.13



1.14



1.15



1.16

