



US00D947915S

(12) **United States Design Patent** (10) **Patent No.:** **US D947,915 S**
Li et al. (45) **Date of Patent:** **** Apr. 5, 2022**

(54) **TRACTOR**

(71) Applicant: **Beijing Hai Yi Tong Zhan Information Technology Co., Ltd., Beijing (CN)**

(72) Inventors: **Shang Li, Beijing (CN); Xiujun Yao, Beijing (CN); Chenguang Gui, Beijing (CN); Lihua Cui, Beijing (CN)**

(73) Assignee: **Beijing Hai Yi Tong Zhan Information Technology Co., Ltd., Beijing (CN)**

(**) Term: **15 Years**

(21) Appl. No.: **29/750,441**

(22) Filed: **Sep. 14, 2020**

(30) **Foreign Application Priority Data**

Mar. 23, 2020 (CN) 202030099670.X

(51) **LOC (13) Cl.** **15-99**

(52) **U.S. Cl.**
USPC **D15/199**

(58) **Field of Classification Search**
USPC D15/199, 10-33; D21/578-583, 621, D21/622; D32/21; D34/34
CPC B23K 9/133; B23K 9/287; B23K 9/0018; B25J 19/0025; Y10T 74/20; Y10T 74/20207; Y10T 74/20311; Y10T 74/20305; Y10S 901/01
See application file for complete search history.

(56) **References Cited**

U.S. PATENT DOCUMENTS

D562,525 S * 2/2008 Graf D34/34
D608,804 S * 1/2010 Labak D15/199
D855,276 S * 7/2019 Li D34/34
D857,773 S * 8/2019 Muraishi D15/199

10,386,850 B2 * 8/2019 Heinla G06T 7/73
D877,222 S * 3/2020 Abe D15/199
D879,851 S * 3/2020 Li D15/199
D883,352 S * 5/2020 Abe D15/199
D894,983 S * 9/2020 Okada D15/199
D894,986 S * 9/2020 Okada D15/199

(Continued)

FOREIGN PATENT DOCUMENTS

CN 305522395 S 12/2019
CN 305594169 S 2/2020
JP D1461814 S 2/2013

OTHER PUBLICATIONS

Taiwanese Office Action dated May 25, 2021 in connection with Taiwanese Application No. 109305165.

(Continued)

Primary Examiner — Mark A Goodwin

(74) *Attorney, Agent, or Firm* — Wolf, Greenfield & Sacks, P.C.

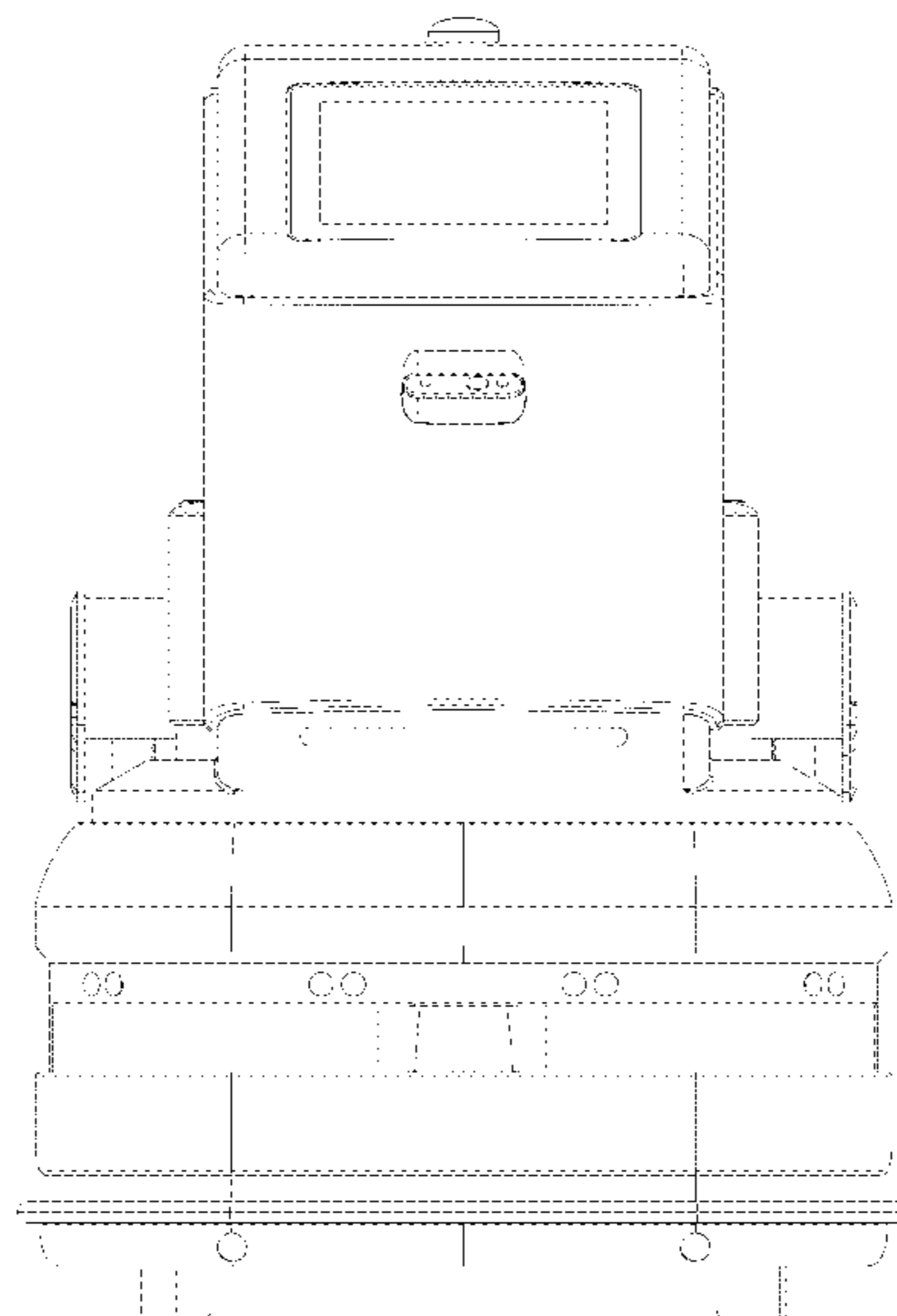
(57) **CLAIM**

The ornamental design for a tractor, as shown and described.

DESCRIPTION

FIG. 1 is a front view of the new design, showing a tractor; FIG. 2 is a back view of the tractor; FIG. 3 is a left view of the tractor; FIG. 4 is a right view of the tractor; FIG. 5 is a top view of the tractor; FIG. 6 is a bottom view of the tractor; FIG. 7 is a perspective view of the tractor; FIG. 8 is another perspective view of the tractor; FIG. 9 is a perspective view of variation state of the tractor; and, FIG. 10 is another perspective view of variation state of the tractor.

1 Claim, 10 Drawing Sheets



(56)

References Cited

U.S. PATENT DOCUMENTS

D895,707	S	*	9/2020	Okada	D15/199
D895,709	S	*	9/2020	Okada	D15/199
D896,858	S	*	9/2020	Kapuria	D15/199
D903,214	S	*	11/2020	Williams	D32/21
D914,780	S	*	3/2021	Hammers	D15/199
D918,281	S	*	5/2021	Kong	D15/199
D918,978	S	*	5/2021	Li	D15/199
D920,410	S	*	5/2021	Chen	D15/199
D921,056	S	*	6/2021	Vallat	A01M 21/02 D15/24
D921,082	S	*	6/2021	Hernandez	D15/199
D921,083	S	*	6/2021	Hernandez	D15/199
D924,293	S	*	7/2021	Nakamura	D15/199
D928,211	S	*	8/2021	Boucard	D15/199
D928,212	S	*	8/2021	Boucard	D15/199
D934,324	S	*	10/2021	Hatteland	A63H 11/00 D15/199
D934,932	S	*	11/2021	Han	D15/199
D934,933	S	*	11/2021	Cho	D15/199
D937,908	S	*	12/2021	Masuda	A01B 51/026 D15/33
2018/0253107	A1	*	9/2018	Hei	G05D 1/0212
2019/0202249	A1	*	7/2019	Adachi	B60D 1/62
2019/0299729	A1	*	10/2019	Sokuza	B61G 1/28
2021/0179403	A1	*	6/2021	Nakamura	B60K 7/0007

OTHER PUBLICATIONS

Japanese Office Action dated Mar. 2, 2021 in connection with Japanese Application No. 2020-018526.

* cited by examiner

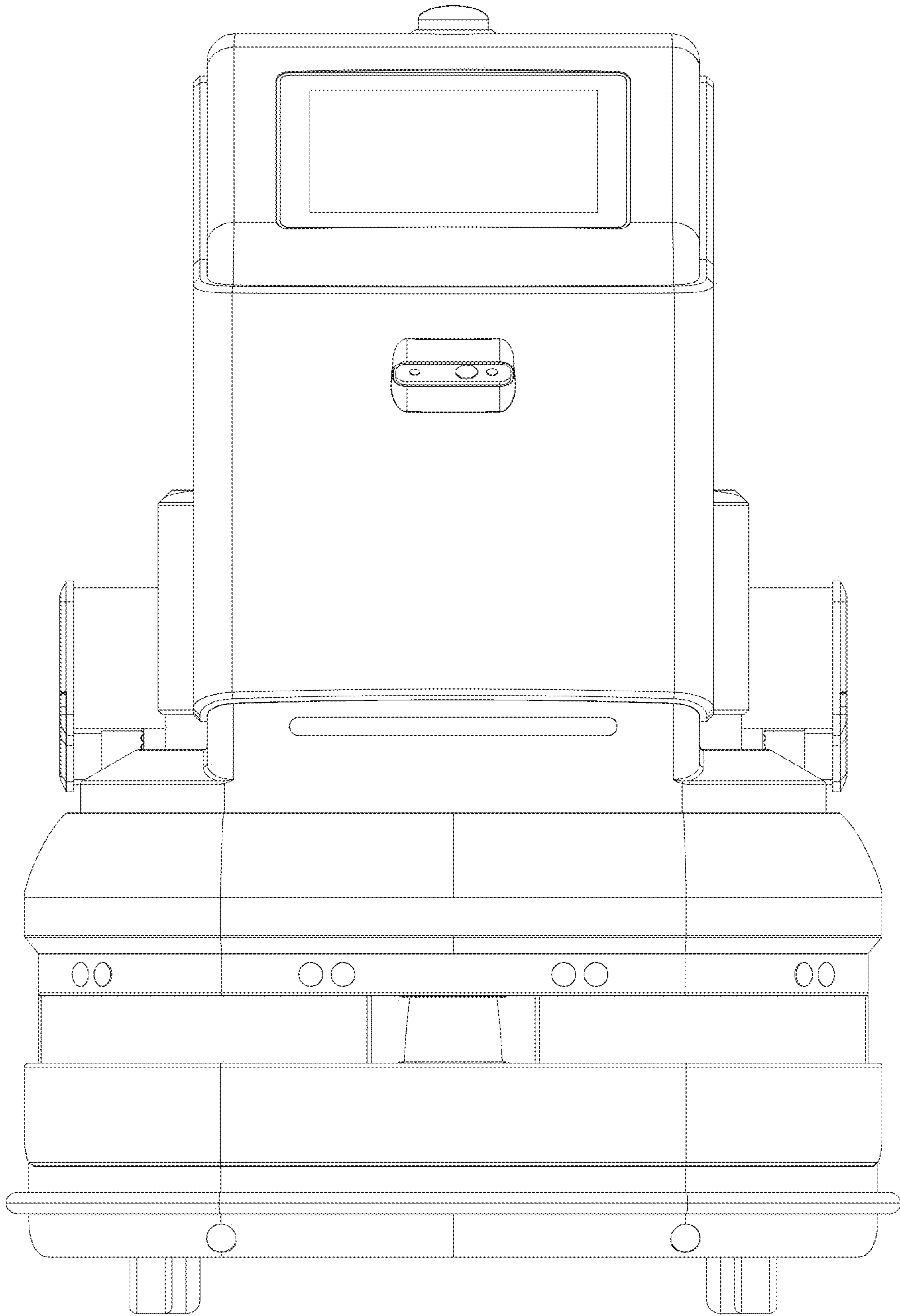


FIG. 1

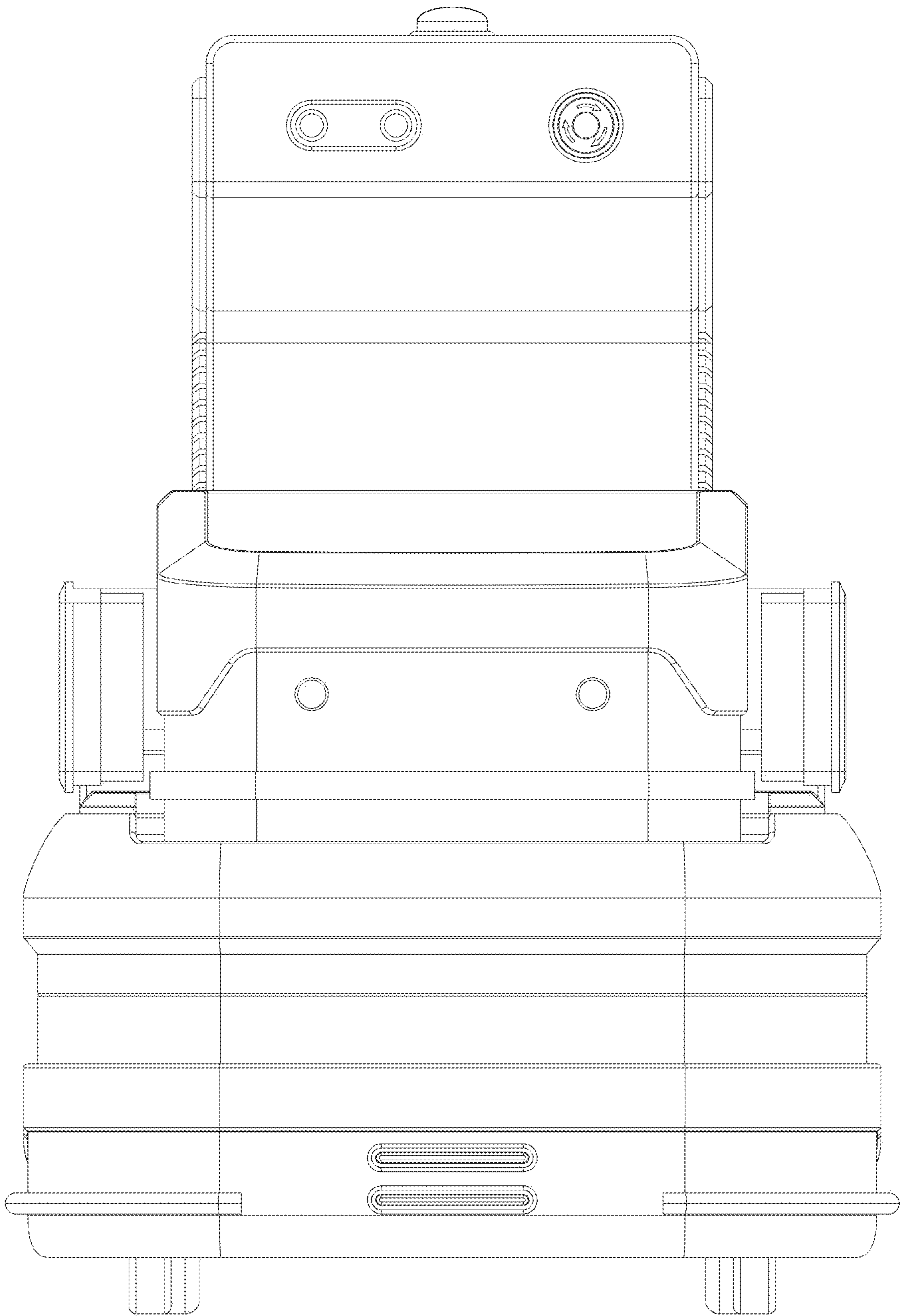


FIG. 2

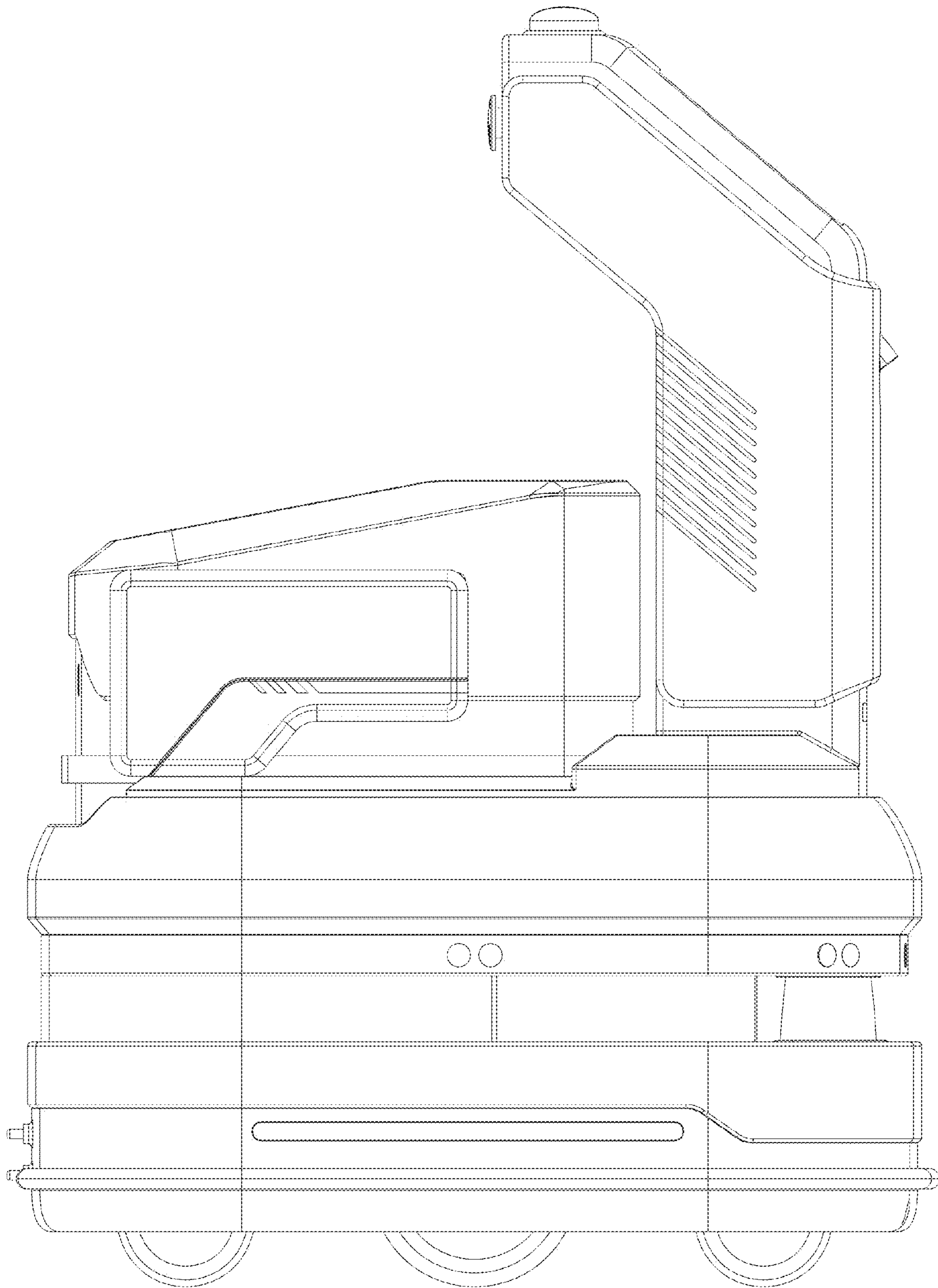


FIG. 3

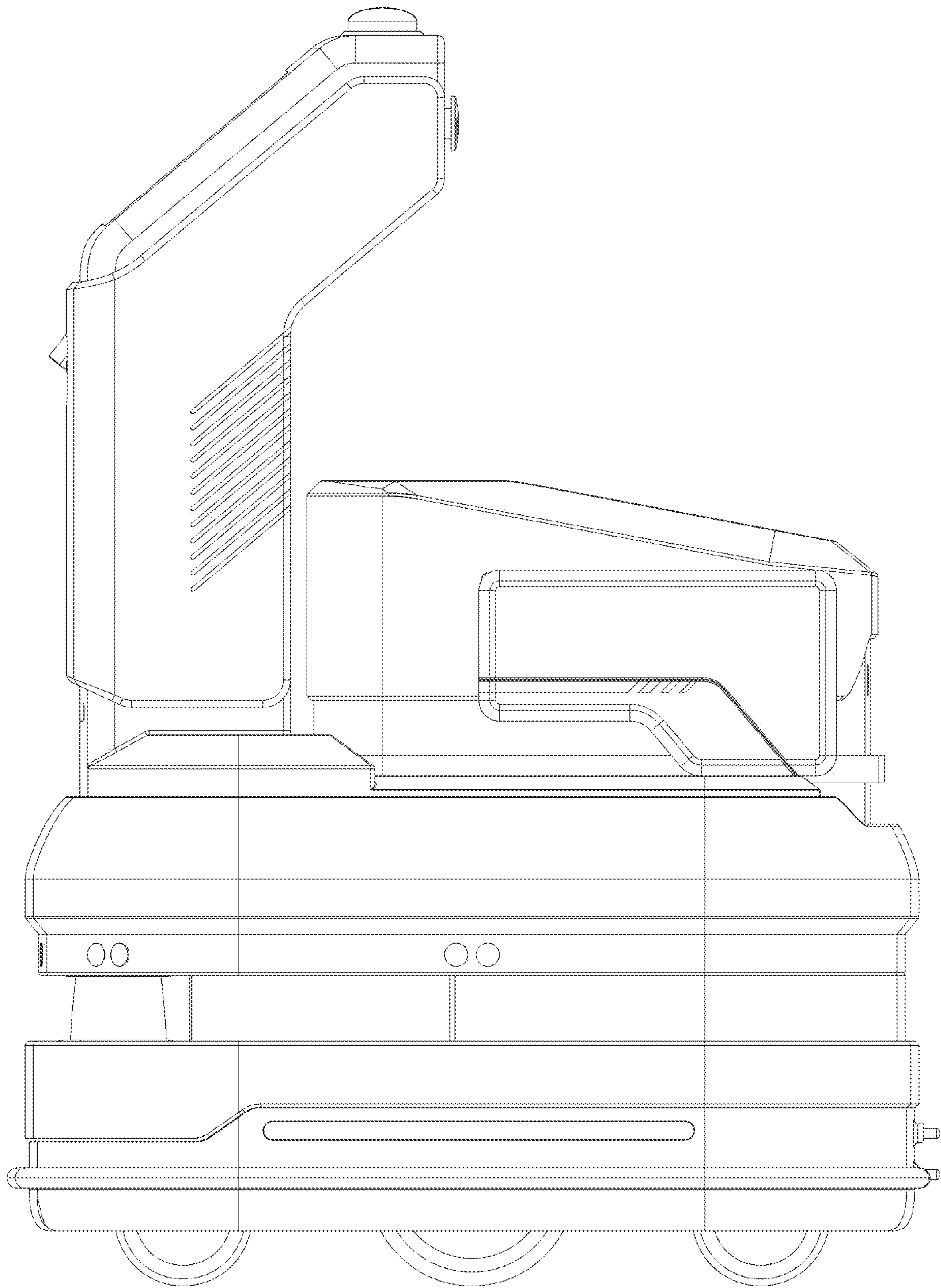


FIG. 4

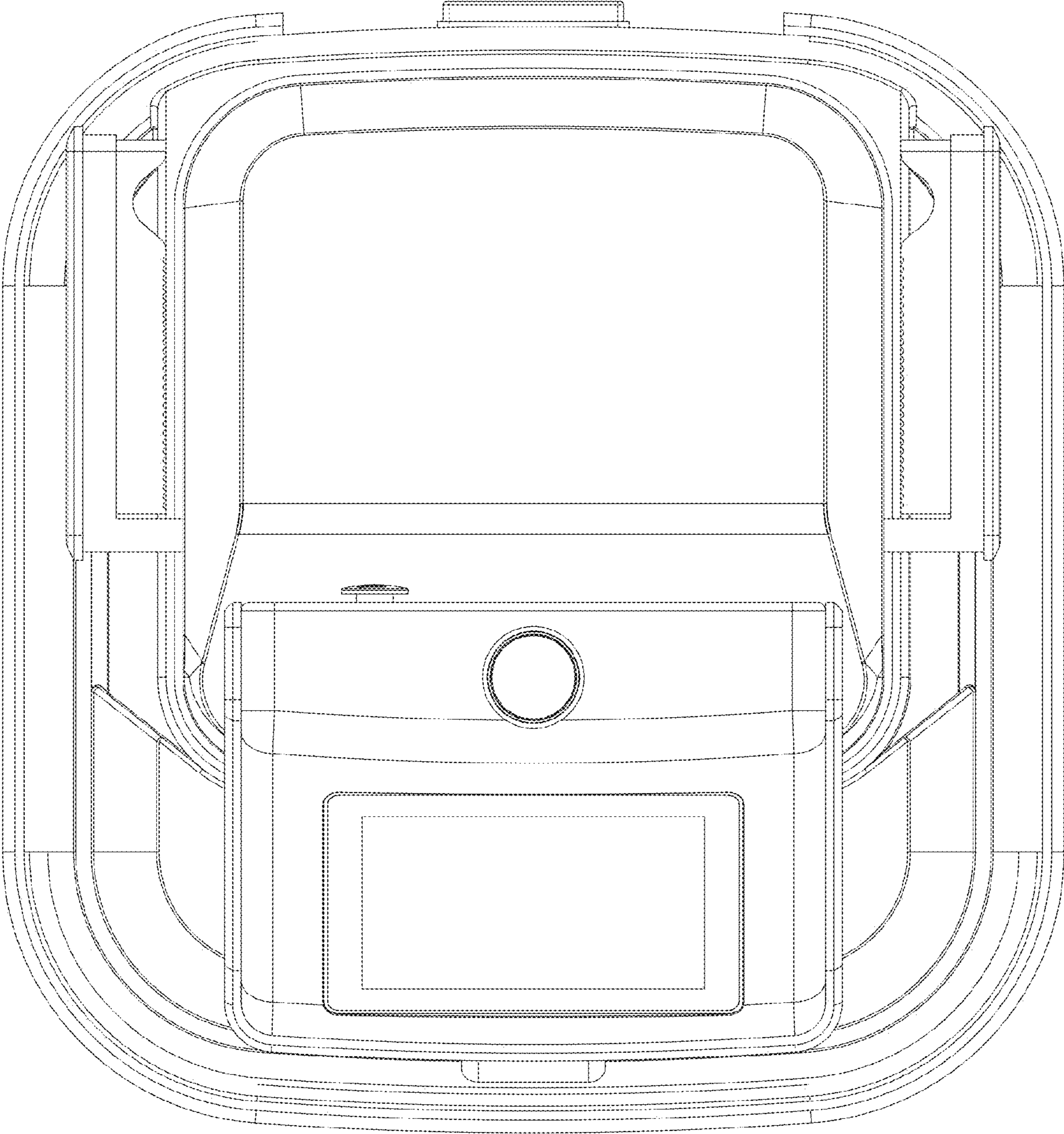


FIG. 5

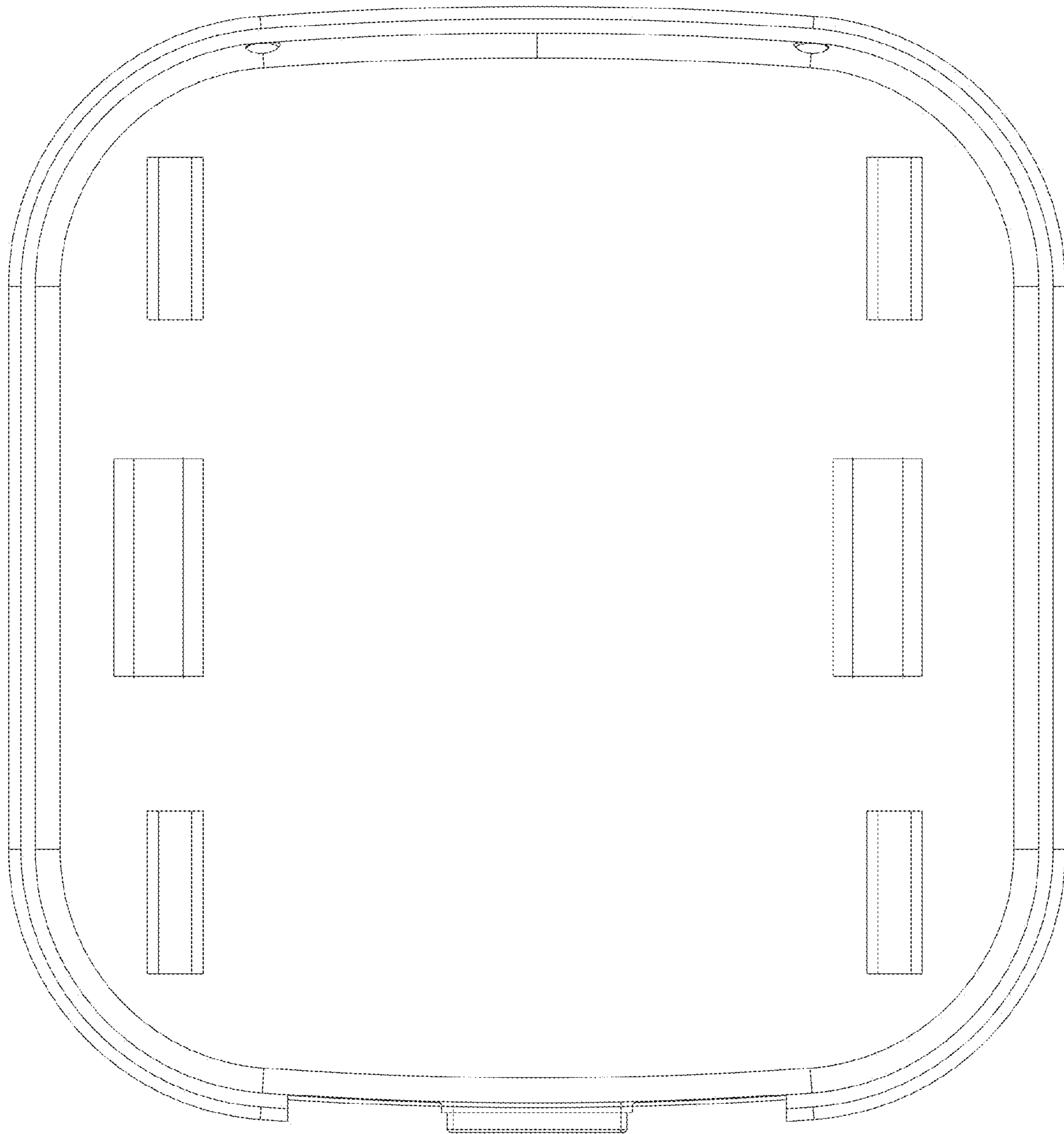


FIG. 6

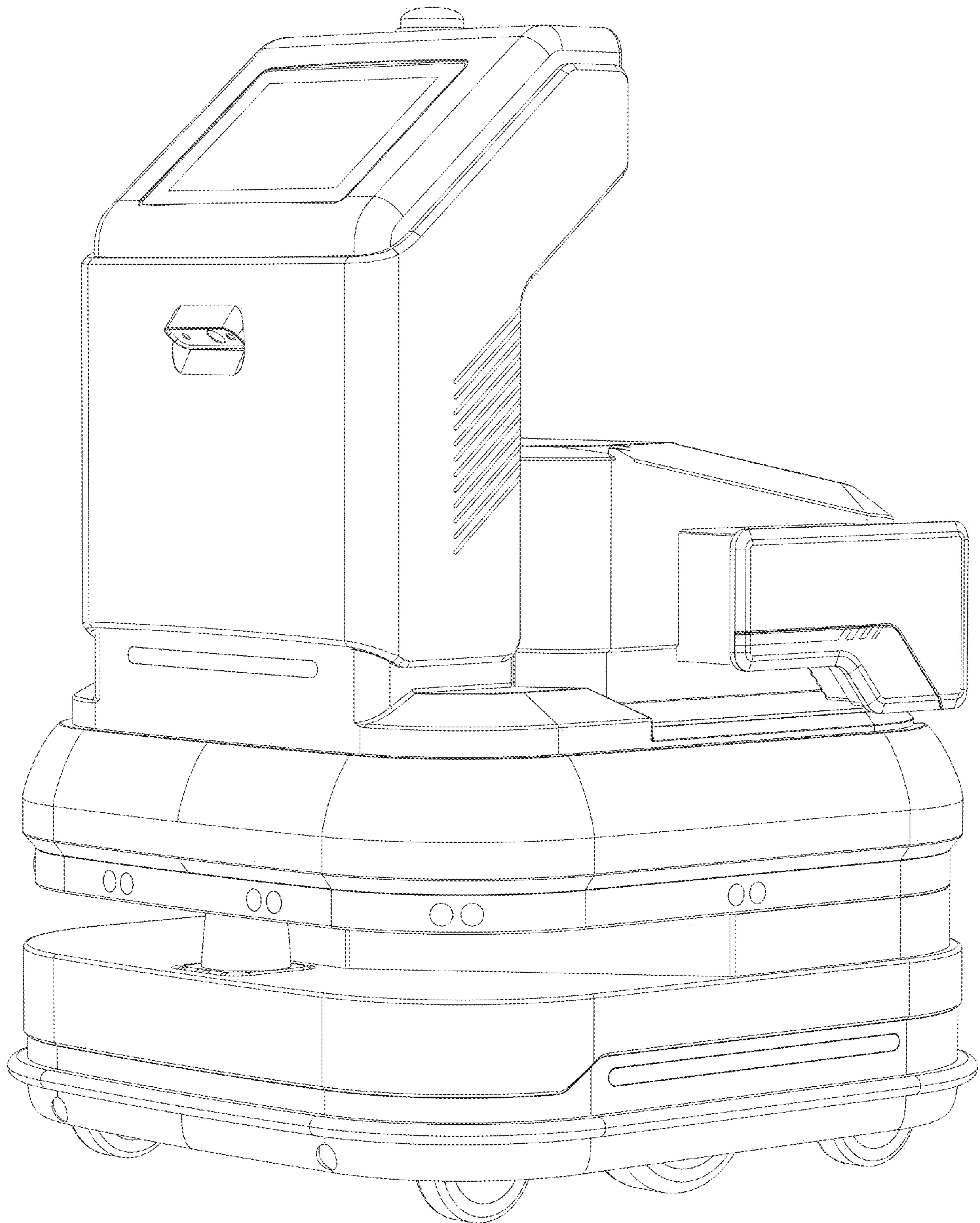


FIG. 7

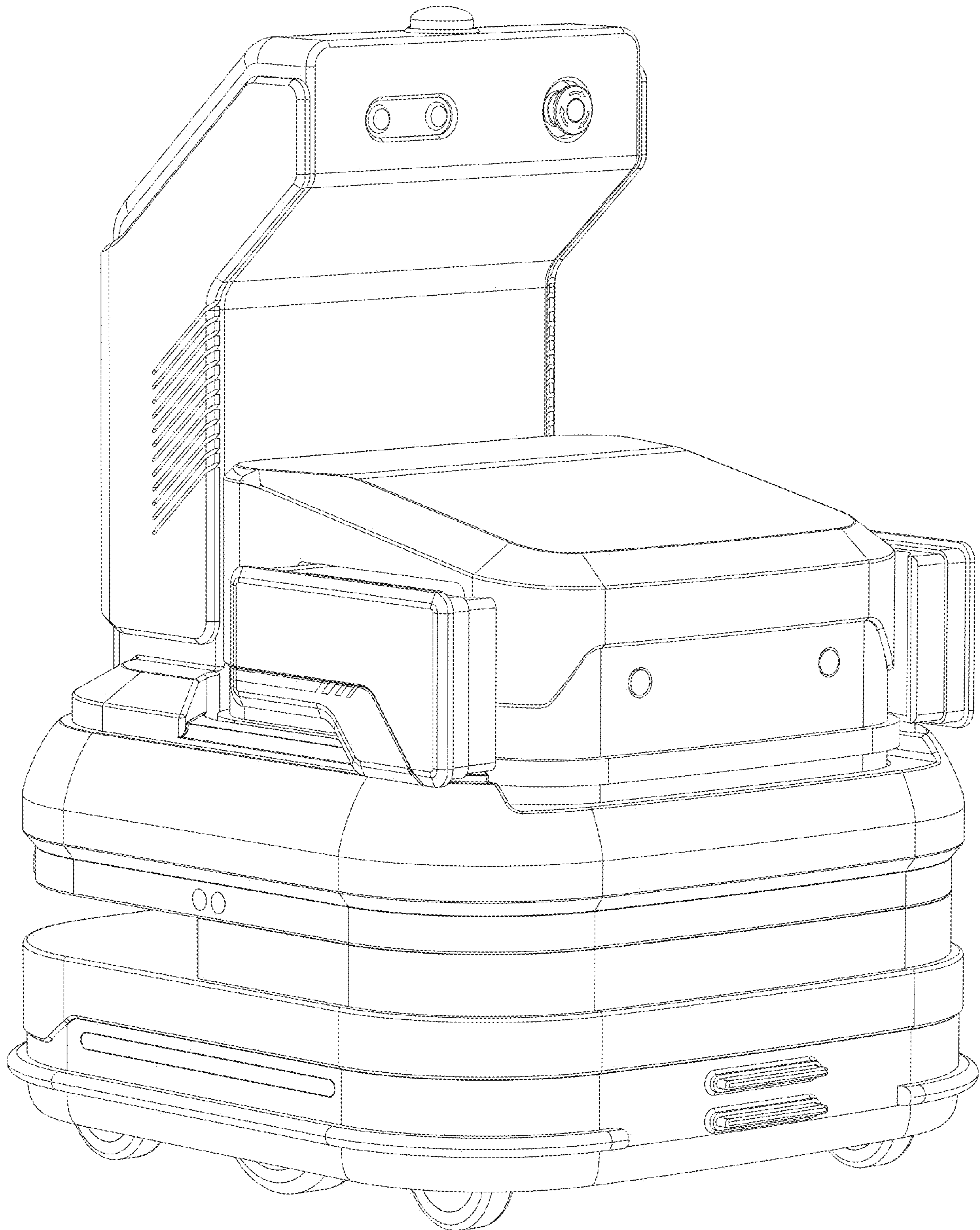


FIG. 8

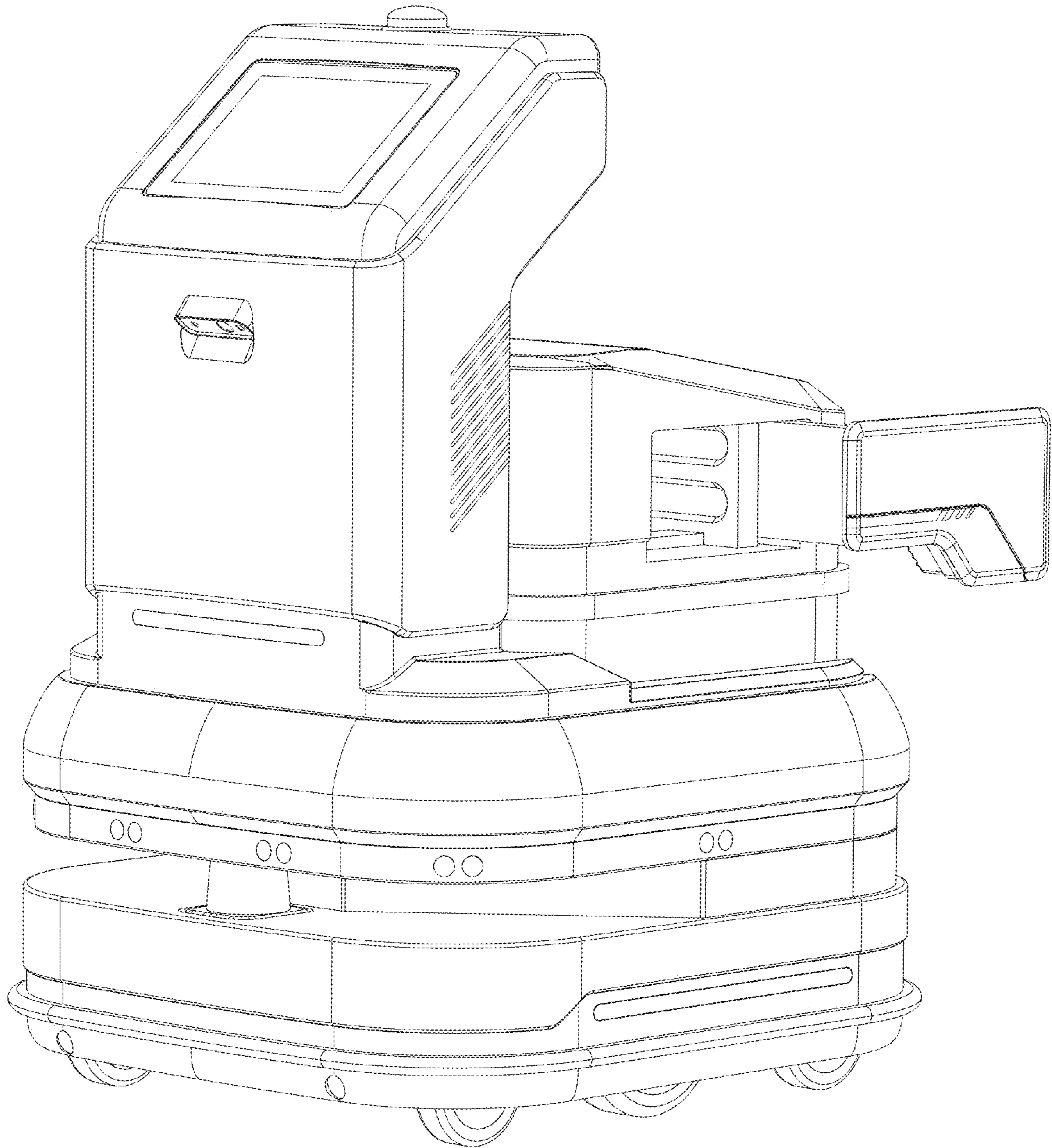


FIG. 9

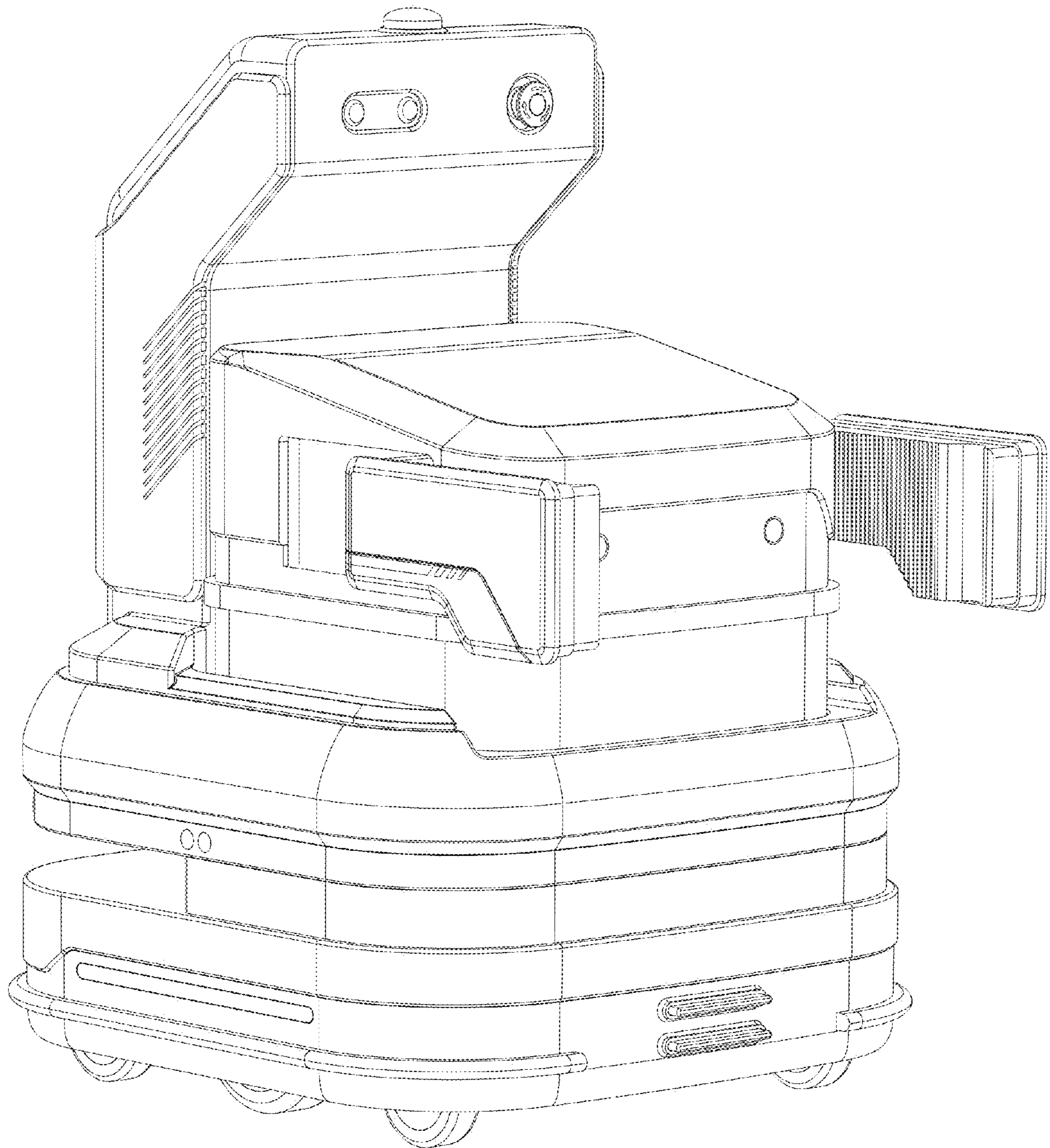


FIG. 10