



US00D947914S

(12) **United States Design Patent** (10) **Patent No.:** **US D947,914 S**  
**Rao et al.** (45) **Date of Patent:** **\*\* Apr. 5, 2022**

(54) **BASE PLATE FOR A PROCESSING CHAMBER SUBSTRATE SUPPORT**

FOREIGN PATENT DOCUMENTS

(71) Applicant: **Applied Materials, Inc.**, Santa Clara, CA (US)

TW D159673 11/2012  
TW D183006 2/2016  
(Continued)

(72) Inventors: **Shreesha Yogish Rao**, Milpitas, CA (US); **Mukund Sundararajan**, Bangalore (IN); **Cheng-Hsiung Matthew Tsai**, Cupertino, CA (US); **Manjunatha P. Koppa**, Bengaluru (IN); **Steven V. Sansoni**, Livermore, CA (US)

OTHER PUBLICATIONS

Search Report for Taiwan Design Application No. 109306844, dated May 30, 2021.

(Continued)

(73) Assignee: **APPLIED MATERIALS, INC.**, Santa Clara, CA (US)

*Primary Examiner* — Sheryl Lane

*Assistant Examiner* — Mark T. Philipps

(74) *Attorney, Agent, or Firm* — Moser Taboada

(\*\*) Term: **15 Years**

(21) Appl. No.: **29/759,527**

(57) **CLAIM**

(22) Filed: **Nov. 23, 2020**

The ornamental design for a base plate for a processing chamber substrate support, as shown and described.

(51) **LOC (13) Cl.** ..... **15-09**

(52) **U.S. Cl.**  
USPC ..... **D15/144.1; D13/182**

(58) **Field of Classification Search**  
USPC ..... D23/249, 259, 262, 269; D15/138, 139, D15/143, 144, 144.1, 144.2, 150, 199; D13/118, 122, 133, 162, 182, 184, 199; D22/113, 119  
CPC ..... H01J 37/3414; H01J 37/3423; H01L 21/02631; H01L 2221/68363; H01L 2224/75186-75189; H01L 21/67742; H01L 21/0226; H01L 21/02263; H01L 21/02266; H01L 21/02269; H01L  
(Continued)

**DESCRIPTION**

FIG. 1 is a top isometric view of a base plate for a processing chamber substrate support, according to the novel design.  
FIG. 2 is a bottom isometric view thereof.  
FIG. 3 is a top plan view thereof.  
FIG. 4 is a bottom plan view thereof.  
FIG. 5 is a front elevation view thereof.  
FIG. 6 is a back elevation view thereof.  
FIG. 7 is a left side elevation view thereof.  
FIG. 8 is a right side elevation view thereof.  
FIG. 9 is a cross-sectional view taken along line 9-9 in FIG. 3; and,  
FIG. 10 is a cross-sectional view taken along line 10-10 in FIG. 3.

The broken lines in the drawings depict portions of the article that form no part of the claimed design.

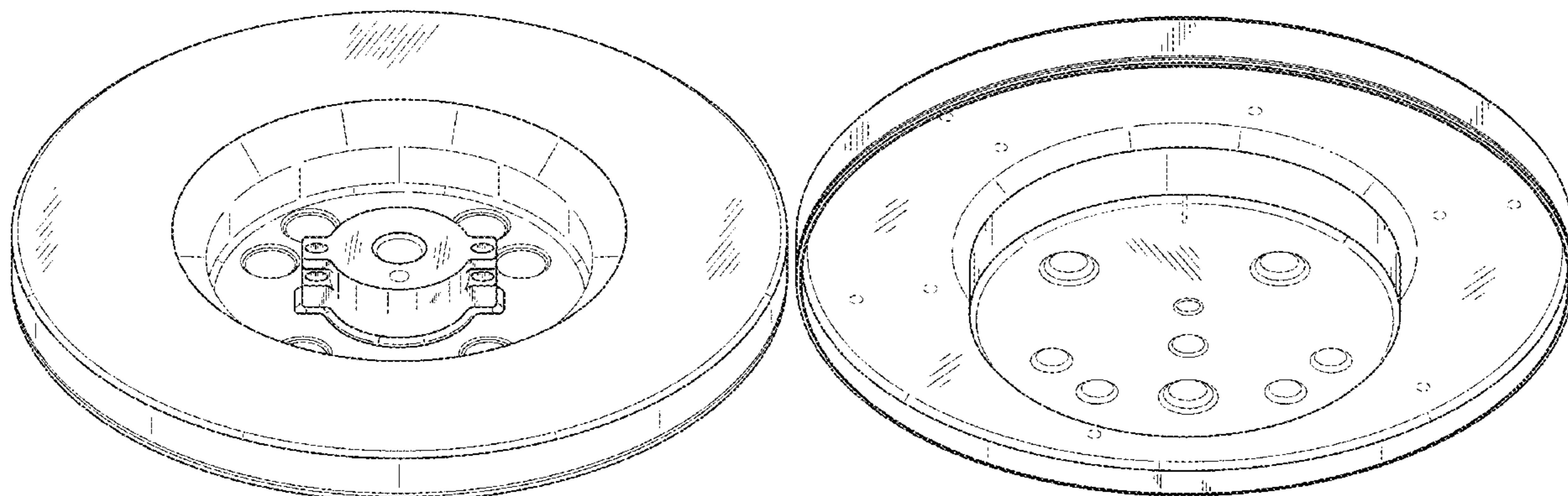
(56) **References Cited**

U.S. PATENT DOCUMENTS

D375,961 S 11/1996 Kotlarek et al.  
6,046,885 A 4/2000 Aimonetti et al.  
6,324,743 B1 12/2001 Gonnet et al.

(Continued)

**1 Claim, 6 Drawing Sheets**



# US D947,914 S

Page 2

- (58) **Field of Classification Search**  
CPC ..... 21/02271; F16J 7/00; E04D 13/14; C23C  
14/3407; C23C 14/35  
See application file for complete search history.

(56) **References Cited**

U.S. PATENT DOCUMENTS

6,673,651	B2	1/2004	Ohuchi et al.	
6,853,533	B2	2/2005	Parkhe	
7,324,307	B2	1/2008	Brink et al.	
7,589,950	B2	9/2009	Parkhe et al.	
7,697,260	B2	4/2010	Brown et al.	
D616,390	S *	5/2010	Sato .....	D13/182
D623,500	S	9/2010	Langner et al.	
8,476,793	B2	7/2013	Aiello	
D707,257	S *	6/2014	Song .....	D15/5
9,666,467	B2	5/2017	Parkhe	
9,668,873	B2	6/2017	Winslow et al.	
D793,816	S	8/2017	Alteslaben	
D802,546	S *	11/2017	Jang .....	D13/182
9,853,579	B2	12/2017	Subramani et al.	
D836,399	S *	12/2018	Ko .....	D7/584
D847,982	S	5/2019	Falkenberg	

10,559,327	B2	2/2020	Yoshimura et al.	
10,609,994	B2 *	4/2020	Vanderminden .....	F16M 13/00
D893,441	S *	8/2020	Rao .....	D13/199
D916,037	S *	4/2021	Okajima .....	D13/182
2005/0152089	A1 *	7/2005	Matsuda .....	H02N 13/00 361/234
2006/0133907	A1 *	6/2006	Bullock .....	B60P 7/0807 410/107
2011/0309724	A1 *	12/2011	Min .....	H02K 1/187 310/425
2018/0350653	A1 *	12/2018	Jeong .....	C23C 16/402

FOREIGN PATENT DOCUMENTS

TW	D175855	5/2016
TW	D193794	11/2017
TW	D196097	2/2018

OTHER PUBLICATIONS

Search Report for Taiwan Design Application No. 108308059001,  
dated Jun. 1, 2021.

\* cited by examiner

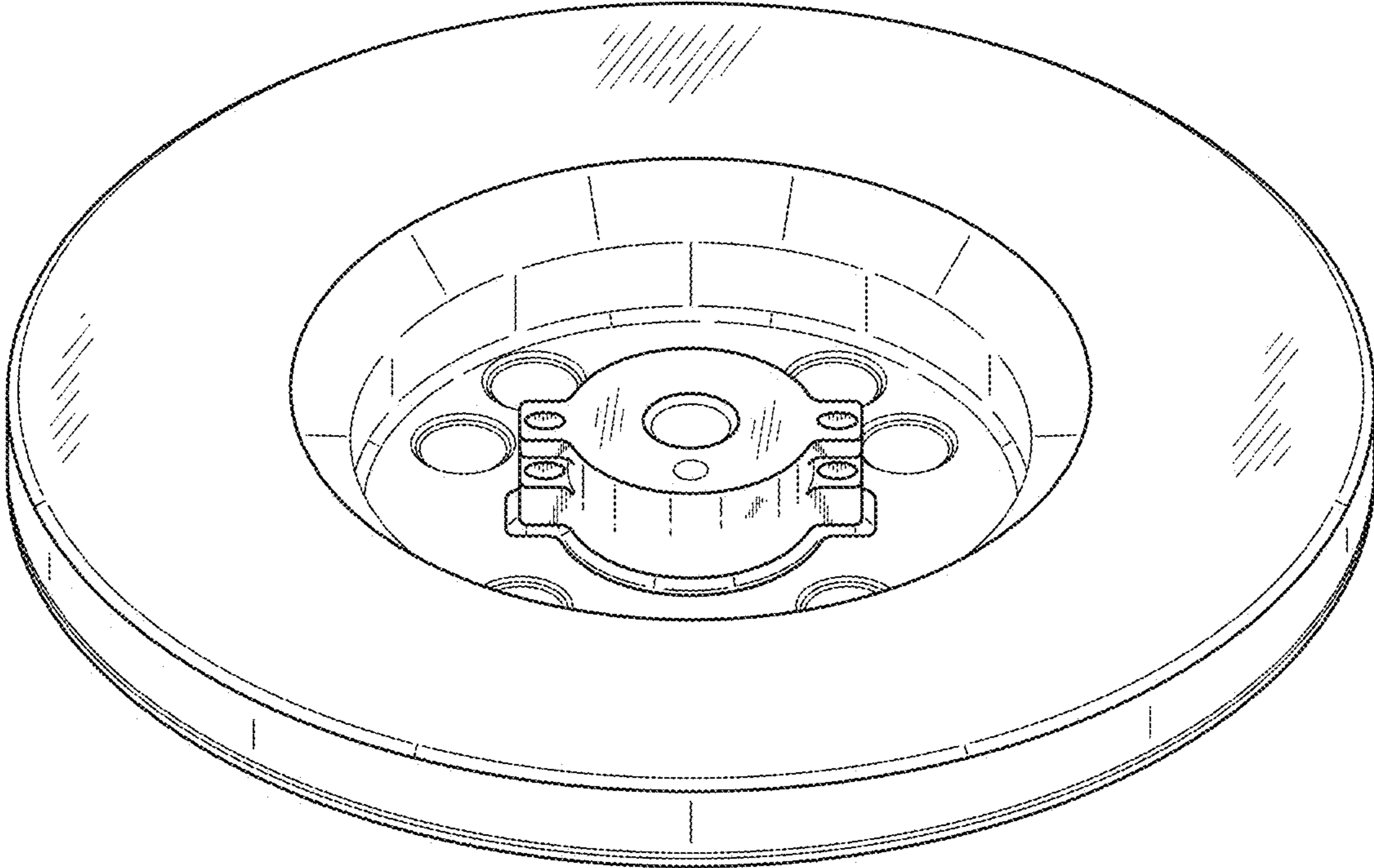


FIG. 1

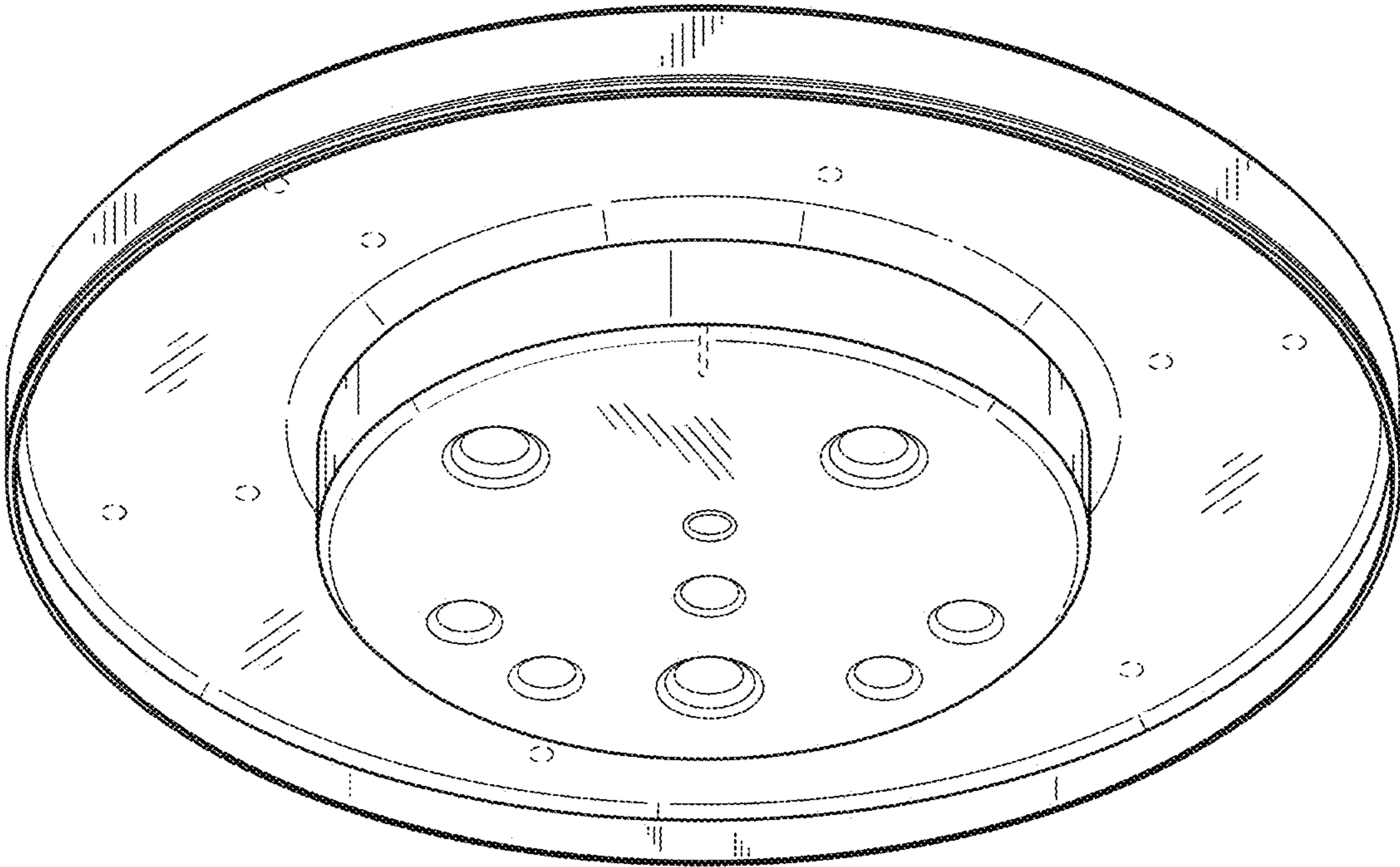


FIG. 2

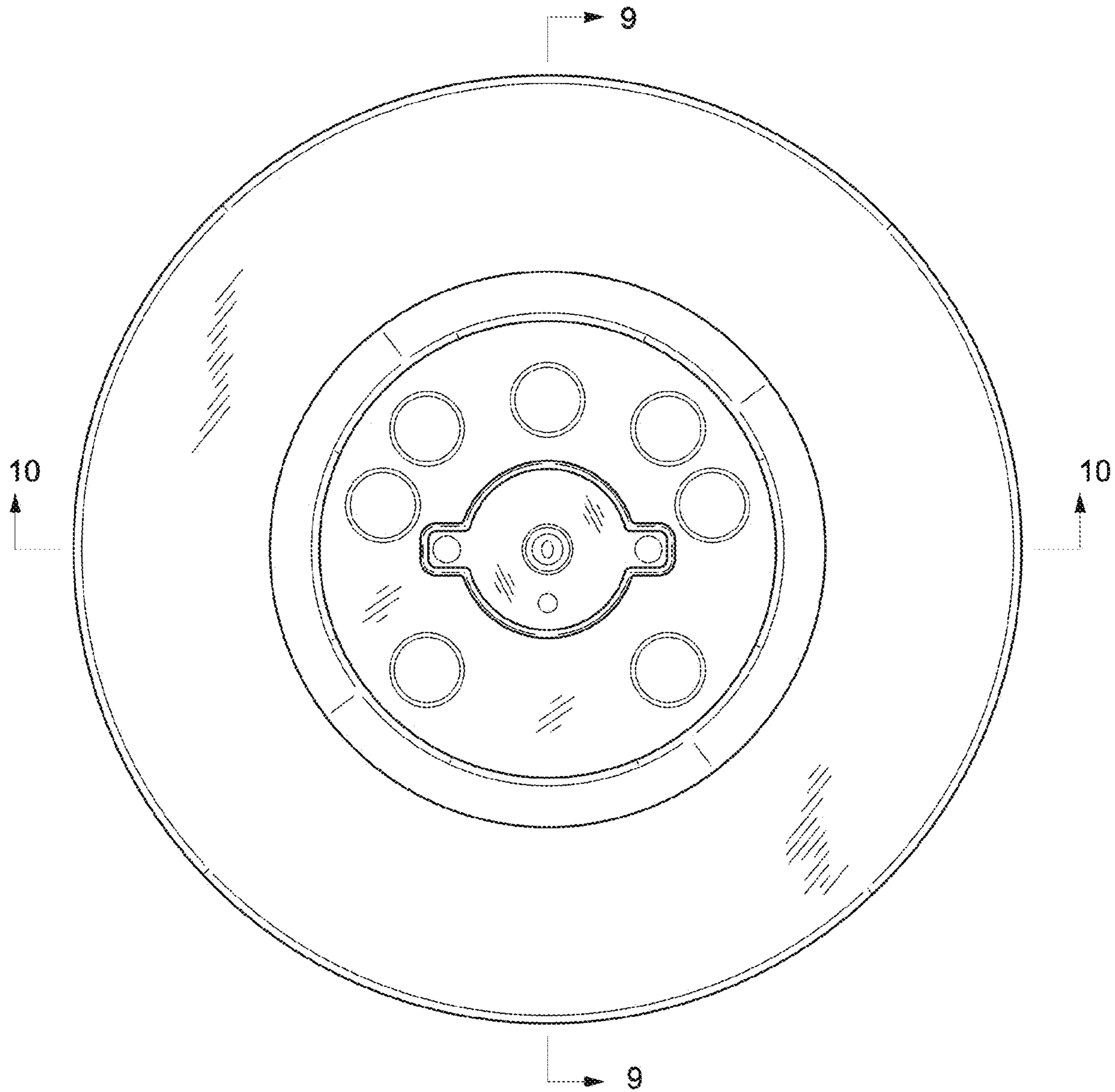


FIG. 3

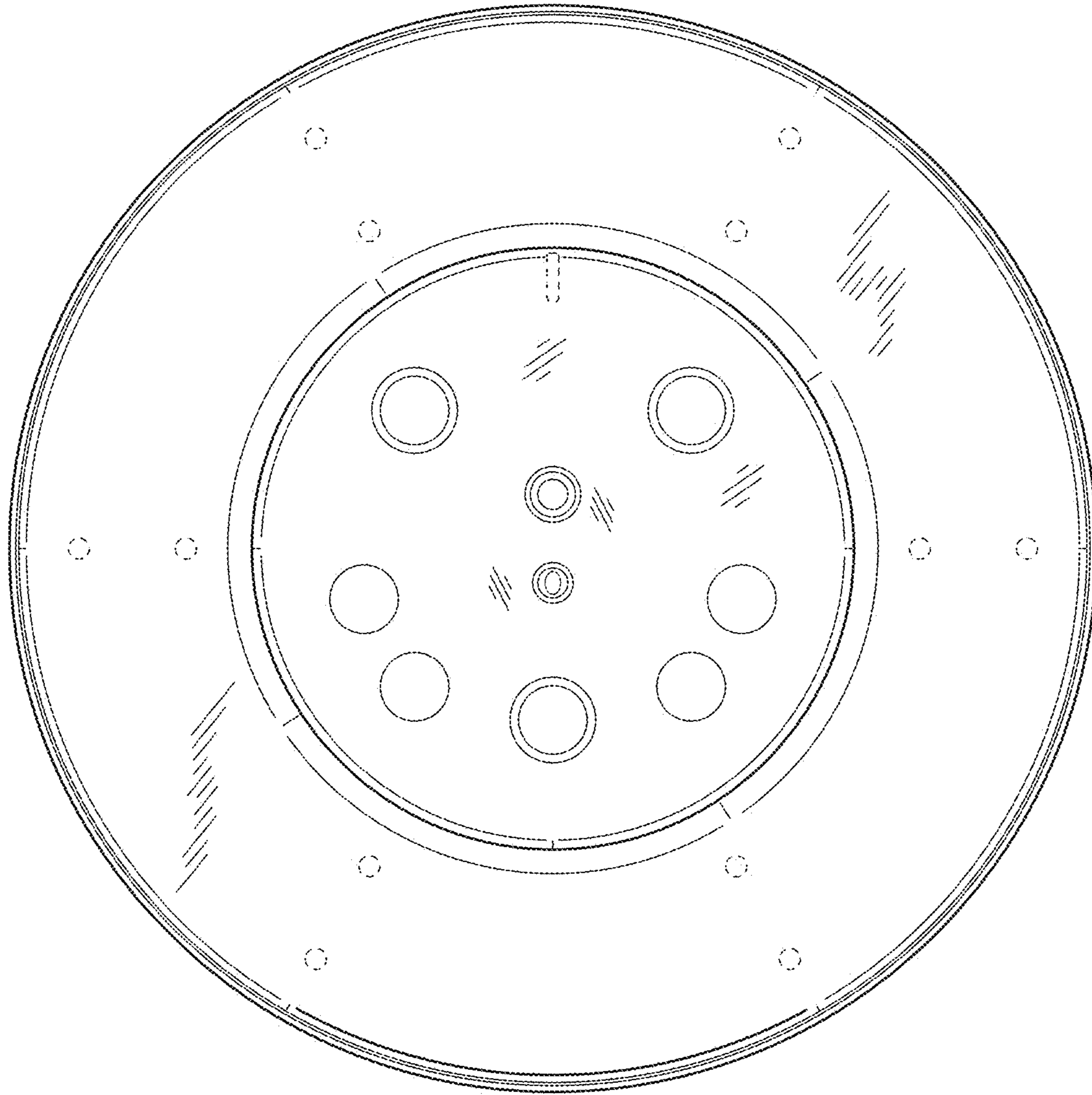


FIG. 4

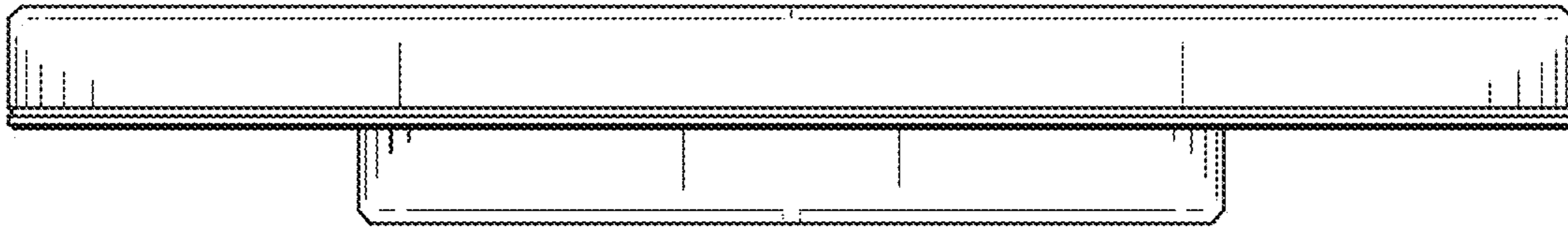


FIG. 5

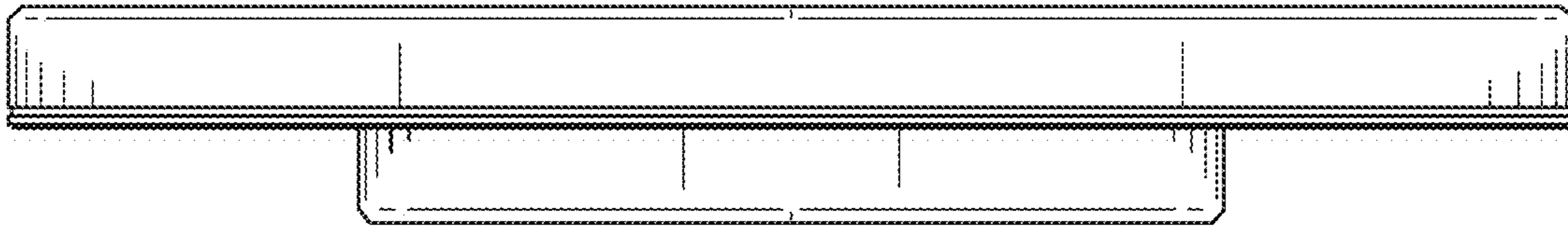


FIG. 6

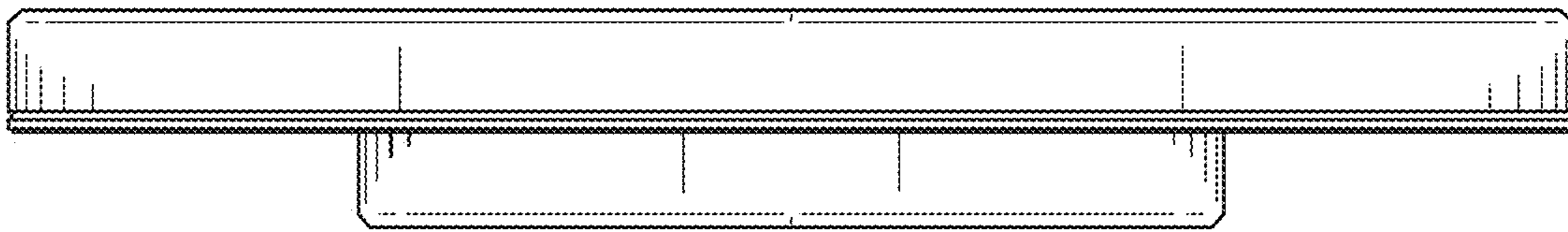


FIG. 7

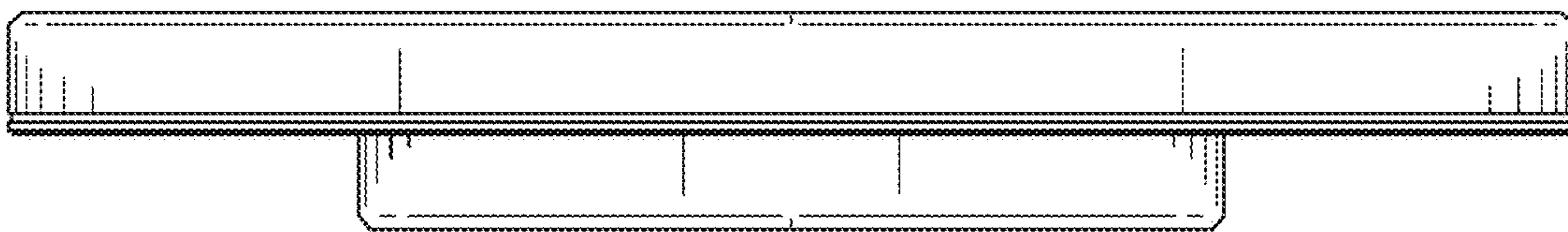


FIG. 8

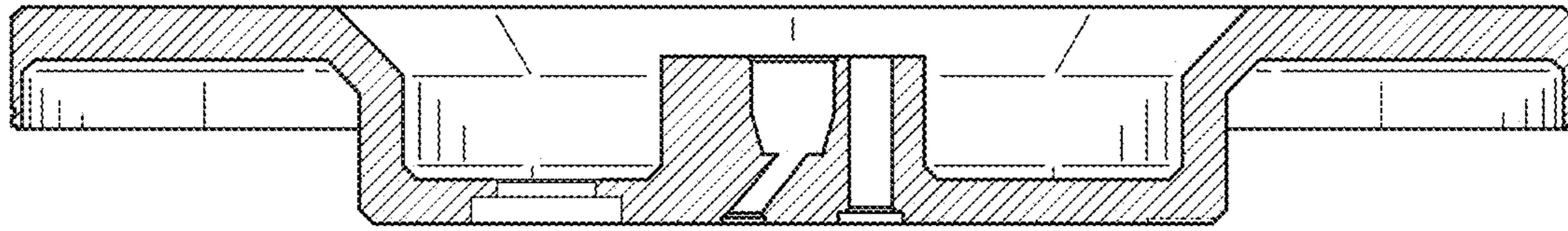


FIG. 9

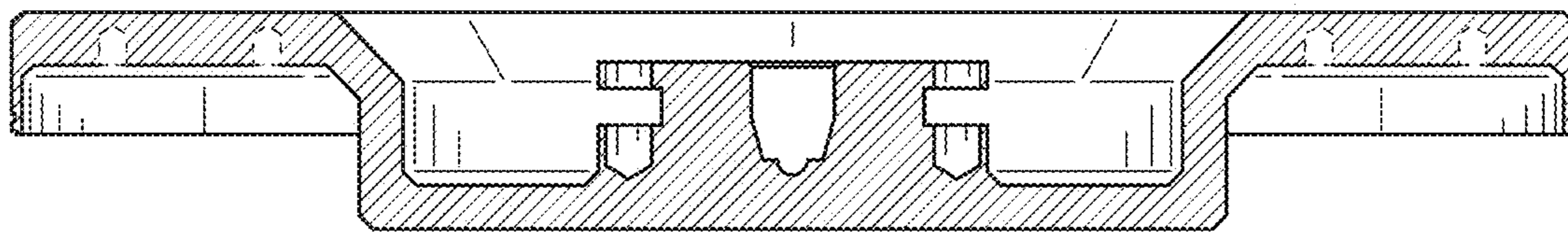


FIG. 10