



US00D947909S

(12) **United States Design Patent**
Landberg et al.

(10) **Patent No.:** **US D947,909 S**
(45) **Date of Patent:** **** Apr. 5, 2022**

- (54) **POWER GRINDER**
- (71) Applicant: **Husqvarna AB**, Huskvarna (SE)
- (72) Inventors: **Gustav Landberg**, Trosa (SE); **Patrik Almqvist**, Årsta (SE); **Tor Sigurdsson**, Stockholm (SE)
- (73) Assignee: **Husqvarna AB**, Huskvarna (SE)
- (**) Term: **15 Years**
- (21) Appl. No.: **29/720,875**
- (22) Filed: **Jan. 16, 2020**
- (30) **Foreign Application Priority Data**

| | | | | |
|----------------|---------|--------------------|-------|-------------------------|
| D341,913 S * | 11/1993 | Swan | | D32/15 |
| D375,591 S | 11/1996 | Fryoux | | |
| 6,238,277 B1 * | 5/2001 | Duncan | | A47L 11/16 451/271 |
| 7,247,085 B1 * | 7/2007 | Anderson | | A47L 11/162 15/340.1 |
| D620,509 S | 7/2010 | Hauenstein | | |
| D659,310 S * | 5/2012 | Dammkoehler | | D32/19 |
| 8,684,796 B2 * | 4/2014 | McCutchen | | B24B 7/186 451/57 |
| D732,764 S | 6/2015 | Kennard et al. | | |
| D756,576 S | 5/2016 | Wang | | |
| 9,862,067 B2 | 1/2018 | Winterfjord et al. | | |
| D881,492 S | 4/2020 | Käcker et al. | | |
| 10,842,337 B2 | 11/2020 | Persson et al. | | |
| D903,960 S | 12/2020 | Yang | | |
| D904,705 S | 12/2020 | Thatcher | | |
| 10,882,554 B2 | 1/2021 | Mandeville et al. | | |
| 10,986,782 B2 | 4/2021 | Fisher et al. | | |

(Continued)

- Sep. 4, 2019 (EM) 006813192-0005
- (51) **LOC (13) Cl.** **15-09**
- (52) **U.S. Cl.**
USPC **D15/124; D8/62**
- (58) **Field of Classification Search**
USPC D15/199, 124; D32/35, 20, 15; D8/62
CPC A47L 11/14; A47L 11/00; A47L 11/02;
A47L 11/06; A47L 11/03; A47L 11/4038;
A47L 11/305; A47L 11/34; A47L 11/085;
B24B 7/186; B24B 7/18; B24B 7/188;
B24B 7/00
See application file for complete search history.

Primary Examiner — Mark A Goodwin
(74) *Attorney, Agent, or Firm* — Burr & Forman, LLP

(57) **CLAIM**

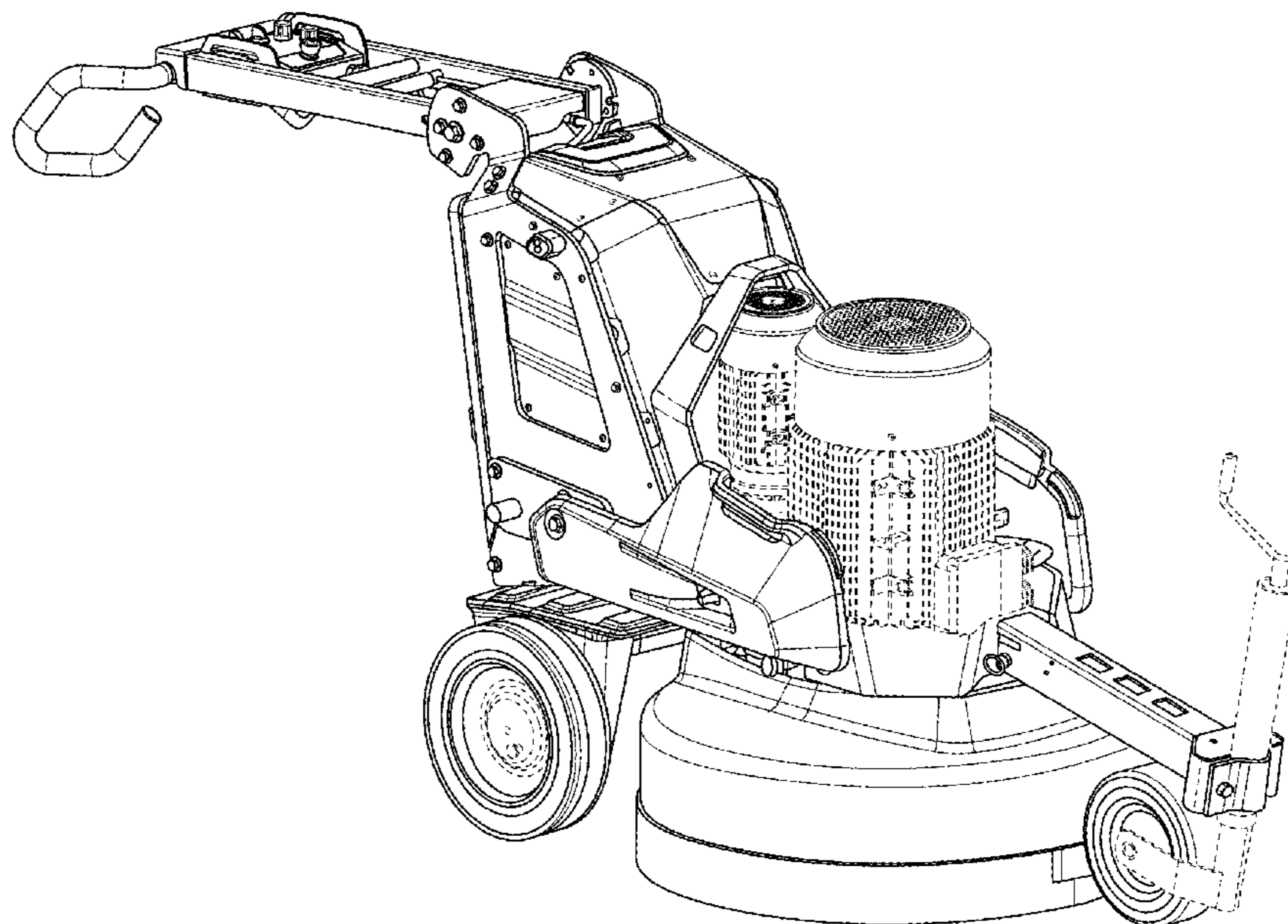
The ornamental design for a power grinder, as shown and described.

DESCRIPTION

FIG. 1 is a perspective view of a power grinder in accordance with the present invention;
FIG. 2 is a front view of the power grinder of FIG. 1;
FIG. 3 is a rear view of the power grinder of FIG. 1;
FIG. 4 is a top view of the power grinder of FIG. 1;
FIG. 5 is a bottom view of the power grinder of FIG. 1;
FIG. 6 is a left side view of the power grinder of FIG. 1; and,
FIG. 7 is a right side view of the power grinder of FIG. 1.
The broken line showing of various components is included for the purpose of illustrating portions of the power grinder that form no part of the claimed design.

1 Claim, 7 Drawing Sheets

- (56) **References Cited**
U.S. PATENT DOCUMENTS
- | | | |
|-------------|---------|---------------|
| 2,205,492 A | 6/1940 | Reid |
| D131,286 S | 2/1942 | Pond |
| D219,234 S | 11/1970 | Schucker |
| D284,413 S | 6/1986 | Marshall |
| D297,778 S | 9/1988 | Lallerstedt |
| D332,158 S | 12/1992 | Bothun et al. |



(56)

References Cited

U.S. PATENT DOCUMENTS

2010/0267316 A1* 10/2010 Silver B24B 7/186
451/353
2013/0042424 A1* 2/2013 Hruby A47L 11/4061
15/98
2013/0205533 A1* 8/2013 Durrant B60P 3/14
15/320
2017/0238779 A1* 8/2017 Berg A47L 11/4061

* cited by examiner

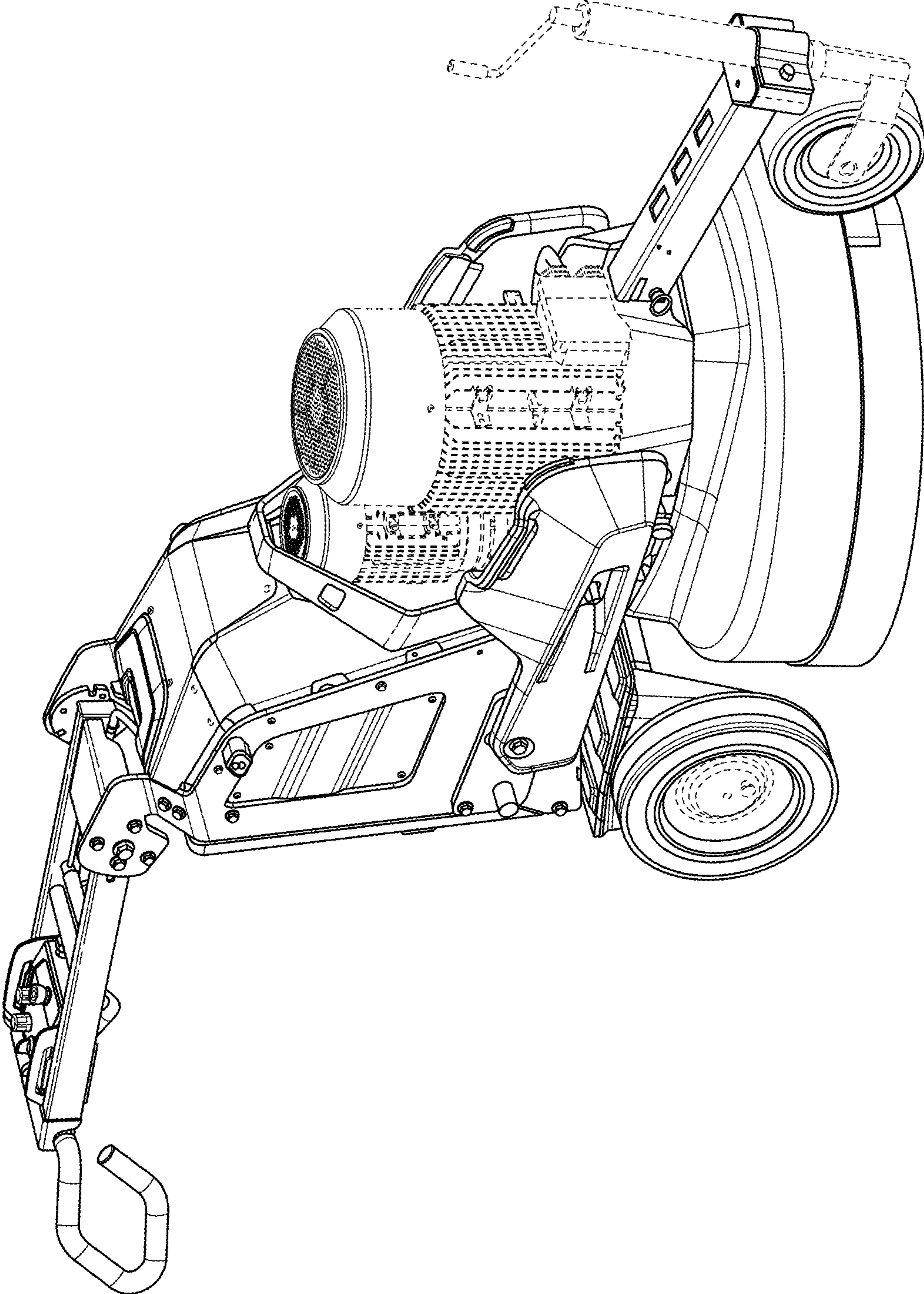


FIG. 1

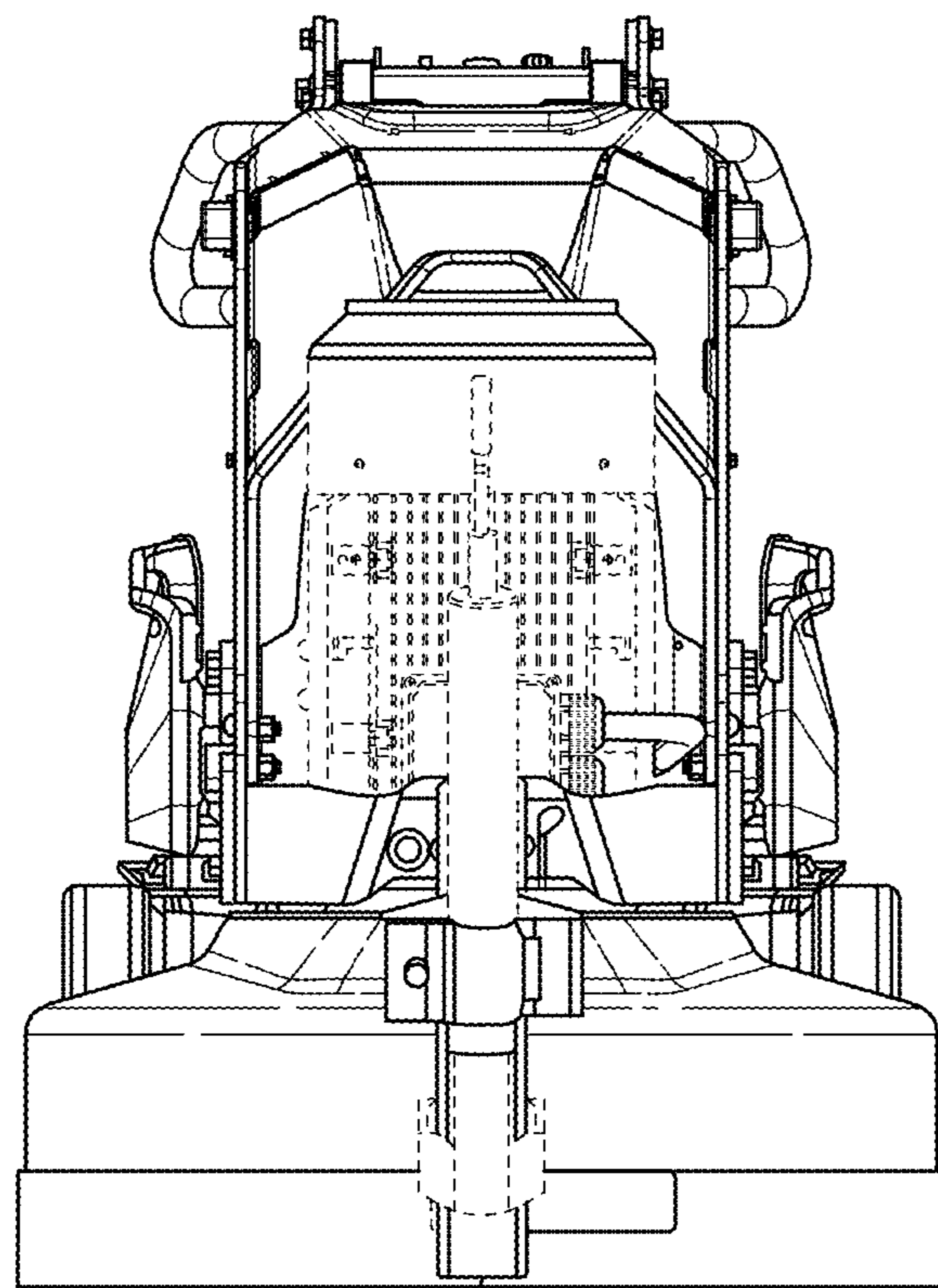


FIG. 2

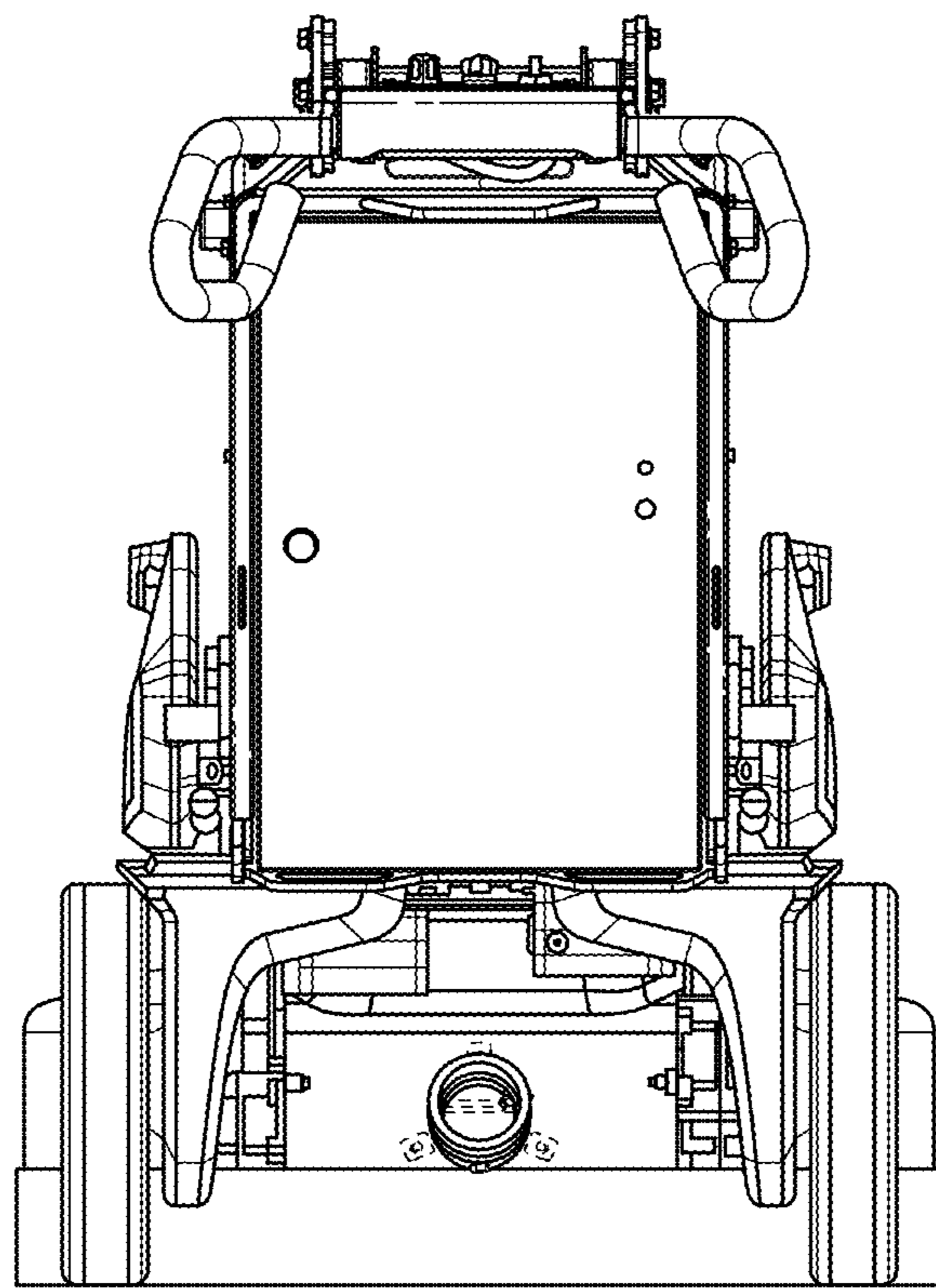


FIG. 3

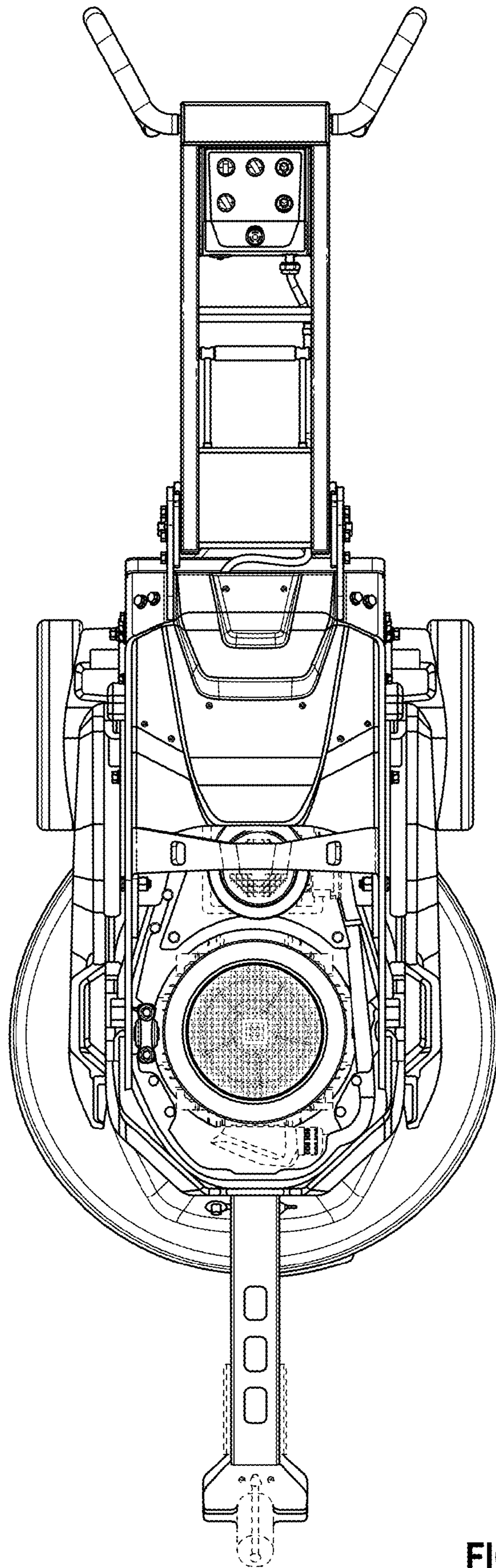


FIG. 4

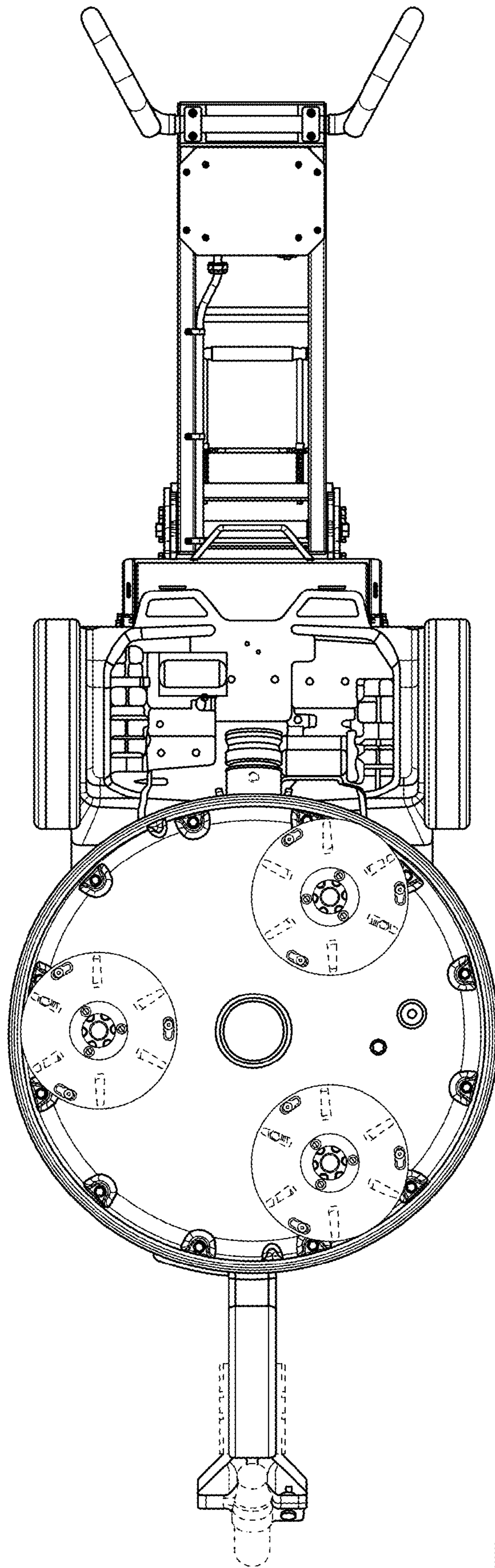


FIG. 5

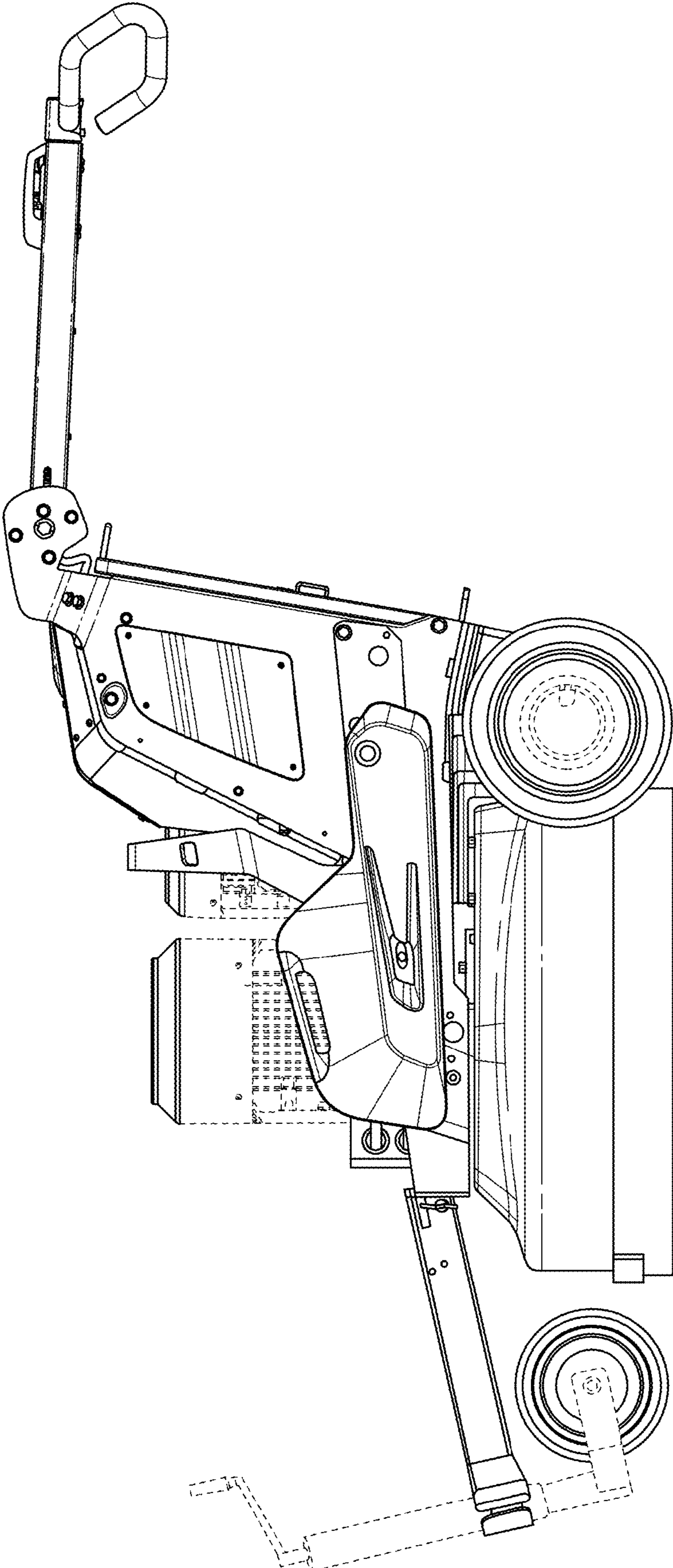


FIG. 6

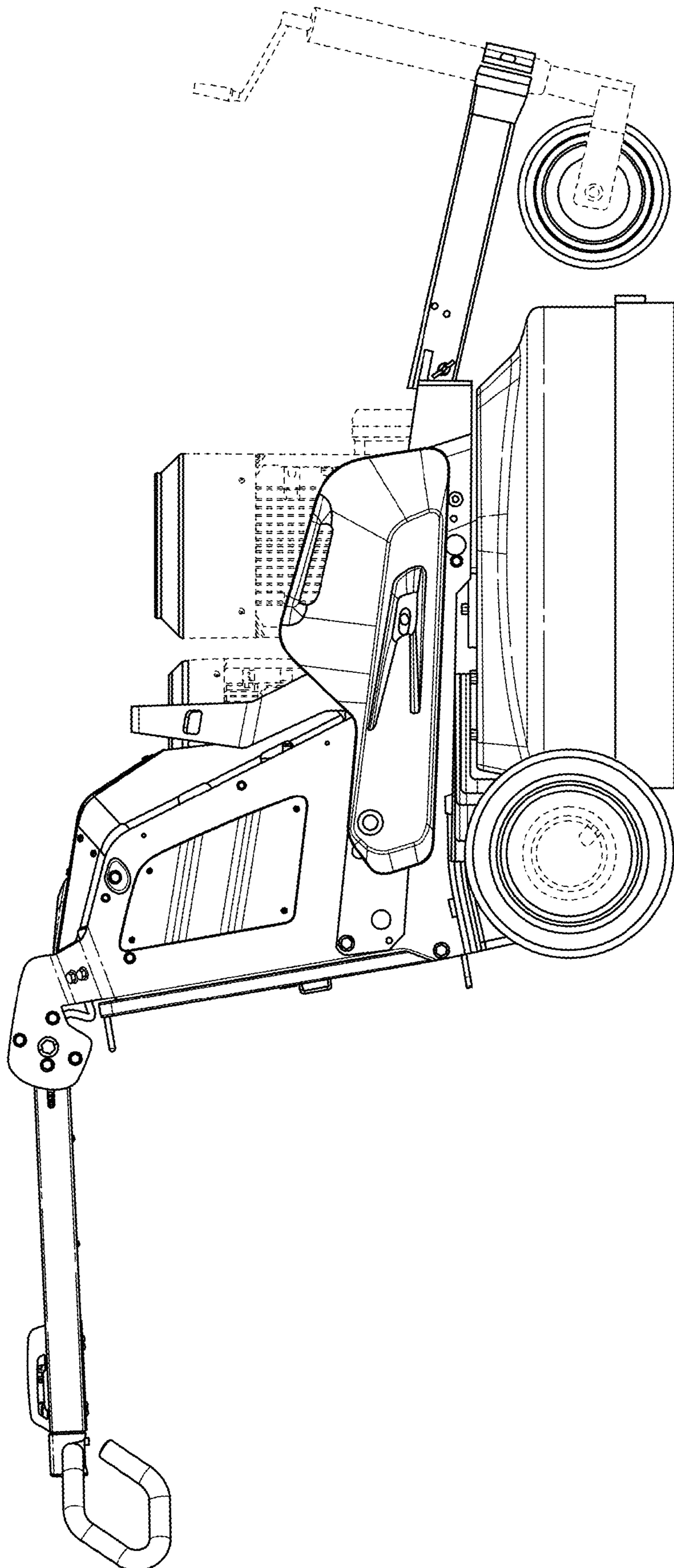


FIG. 7