



US00D947908S

(12) **United States Design Patent**
Landberg et al.

(10) **Patent No.:** **US D947,908 S**
(45) **Date of Patent:** **** Apr. 5, 2022**

- (54) **POWER GRINDER**
- (71) Applicant: **Husqvarna AB**, Huskvarna (SE)
- (72) Inventors: **Gustav Landberg**, Trosa (SE); **Patrik Almqvist**, Årsta (SE); **Tor Sigurdsson**, Stockholm (SE)
- (73) Assignee: **Husqvarna AB**, Huskvarna (SE)
- (**) Term: **15 Years**
- (21) Appl. No.: **29/720,858**
- (22) Filed: **Jan. 16, 2020**
- (30) **Foreign Application Priority Data**

D341,913 S *	11/1993	Swan	D32/15
D375,591 S	11/1996	Fryoux		
6,238,277 B1 *	5/2001	Duncan	A47L 11/16 451/271
7,247,085 B1 *	7/2007	Anderson	A47L 11/162 15/340.1
D620,509 S	7/2010	Hauenstein		
D659,310 S *	5/2012	Dammkoehler	D32/19
8,684,796 B2 *	4/2014	McCutchen	B24B 7/186 451/57
D732,764 S	6/2015	Kennard et al.		
D756,576 S	5/2016	Wang		
9,862,067 B2	1/2018	Winterfjord et al.		
D881,492 S	4/2020	Käcker et al.		
10,842,337 B2	11/2020	Persson et al.		
D903,960 S	12/2020	Yang		
D904,705 S	12/2020	Thatcher		
10,882,554 B2	1/2021	Mandeville et al.		
10,986,782 B2	4/2021	Fisher et al.		

(Continued)

- Sep. 4, 2019 (EM) 006813192
- (51) **LOC (13) Cl.** **15-09**
- (52) **U.S. Cl.**
USPC **D15/124; D8/62**
- (58) **Field of Classification Search**
USPC D15/199, 124; D32/35, 20, 15; D8/62
CPC A47L 11/14; A47L 11/00; A47L 11/02;
A47L 11/06; A47L 11/03; A47L 11/4038;
A47L 11/305; A47L 11/34; A47L 11/085;
B24B 7/186; B24B 7/18; B24B 7/188;
B24B 7/00
See application file for complete search history.

Primary Examiner — Mark A Goodwin
(74) *Attorney, Agent, or Firm* — Burr & Forman, LLP

(57) **CLAIM**

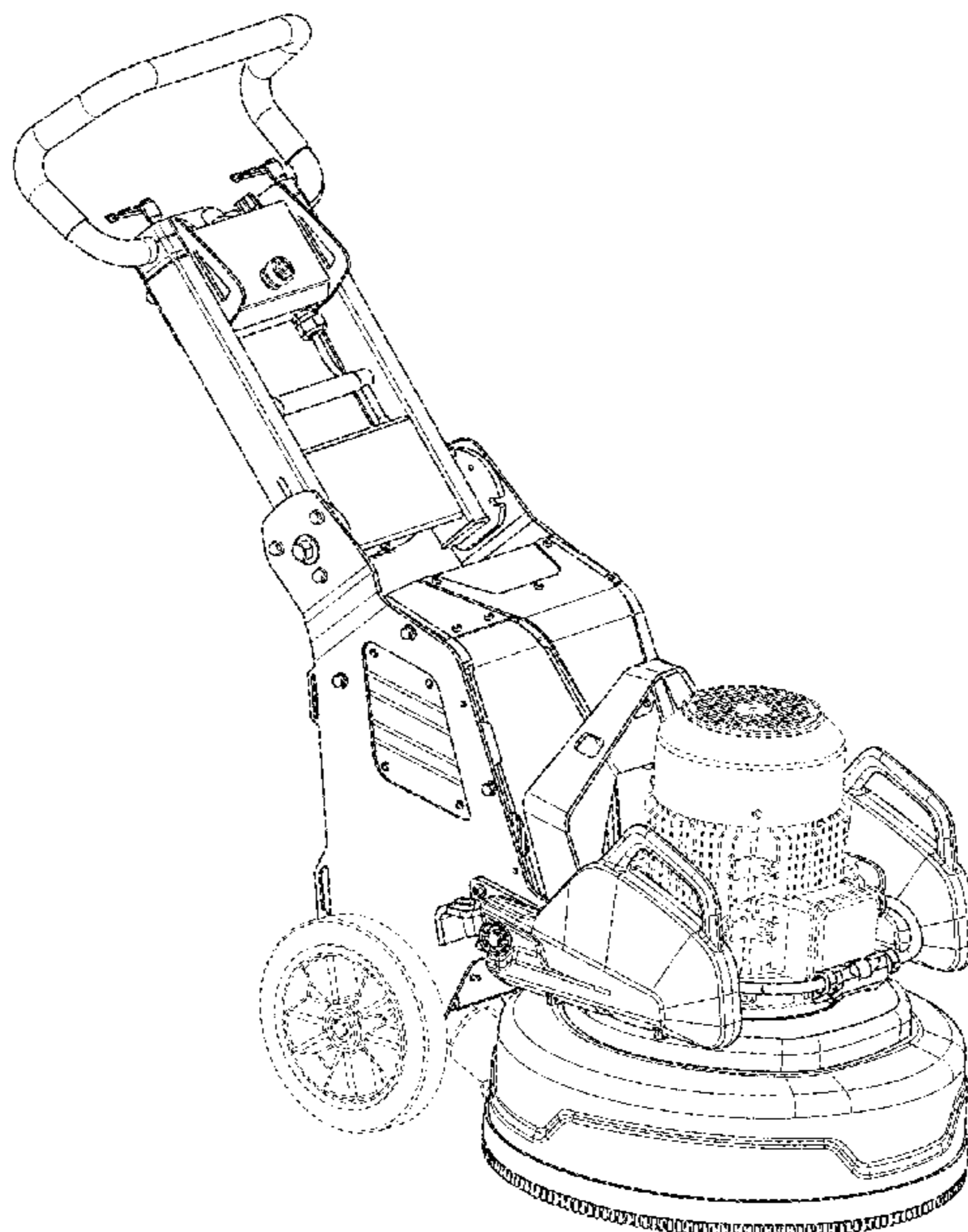
The ornamental design for a power grinder, as shown and described.

DESCRIPTION

FIG. 1 is a perspective view of a power grinder in accordance with the present invention;
FIG. 2 is a front view of the power grinder of FIG. 1;
FIG. 3 is a rear view of the power grinder of FIG. 1;
FIG. 4 is a top view of the power grinder of FIG. 1;
FIG. 5 is a bottom view of the power grinder of FIG. 1;
FIG. 6 is a left side view of the power grinder of FIG. 1; and,
FIG. 7 is a right side view of the power grinder of FIG. 1.
The broken line showing of various components is included for the purpose of illustrating portions of the power grinder that form no part of the claimed design.

1 Claim, 7 Drawing Sheets

- (56) **References Cited**
U.S. PATENT DOCUMENTS
- | | | |
|-------------|---------|---------------|
| 2,205,492 A | 6/1940 | Reid |
| D131,286 S | 2/1942 | Pond |
| D219,234 S | 11/1970 | Schucker |
| D284,413 S | 6/1986 | Marshall |
| D297,778 S | 9/1988 | Lallerstedt |
| D332,158 S | 12/1992 | Bothun et al. |



(56)

References Cited

U.S. PATENT DOCUMENTS

2010/0267316 A1* 10/2010 Silver B24B 7/186
451/353
2013/0042424 A1* 2/2013 Hruby A47L 11/4061
15/98
2013/0205533 A1* 8/2013 Durrant B60P 3/14
15/320
2017/0238779 A1* 8/2017 Berg A47L 11/4061

* cited by examiner

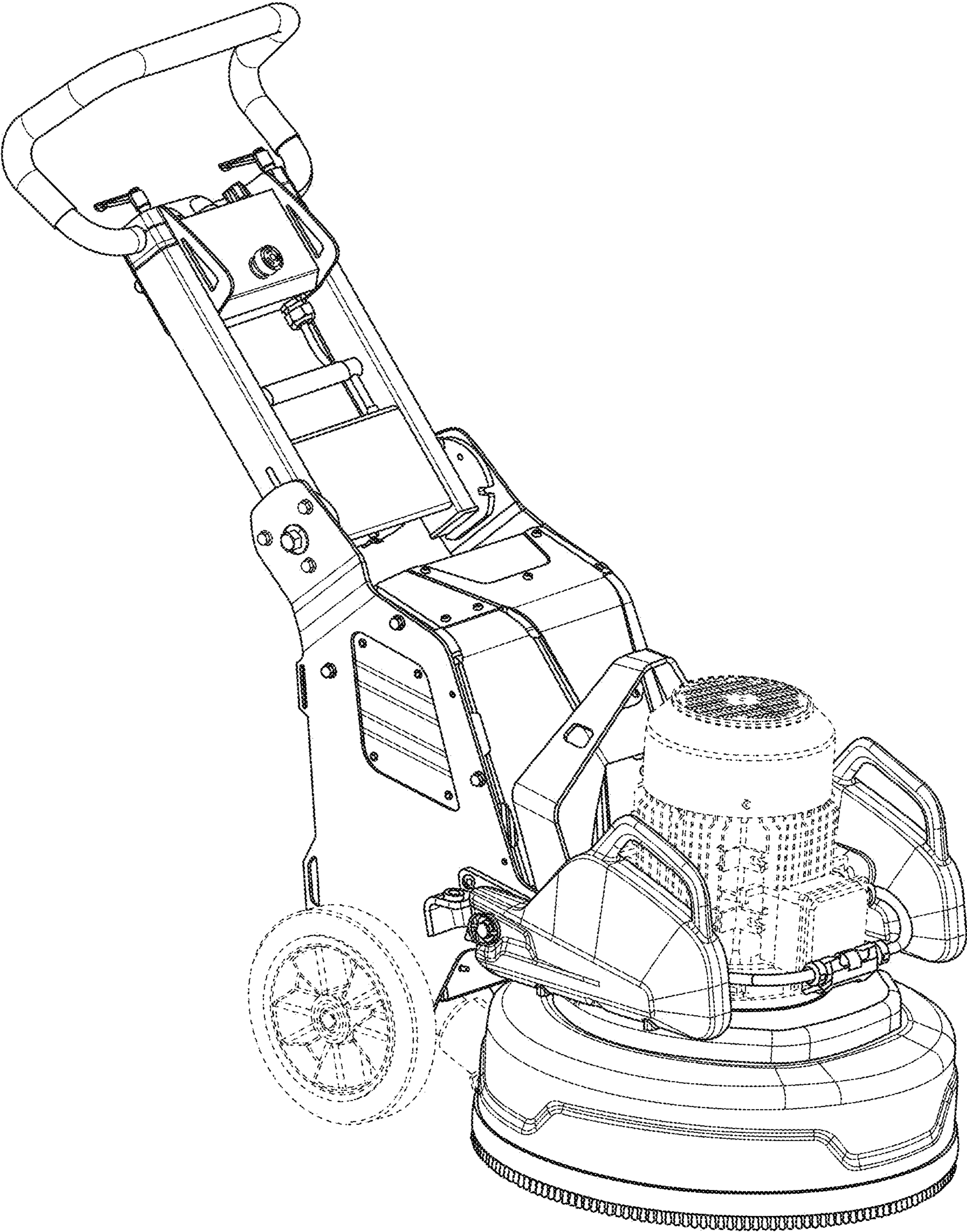


FIG. 1

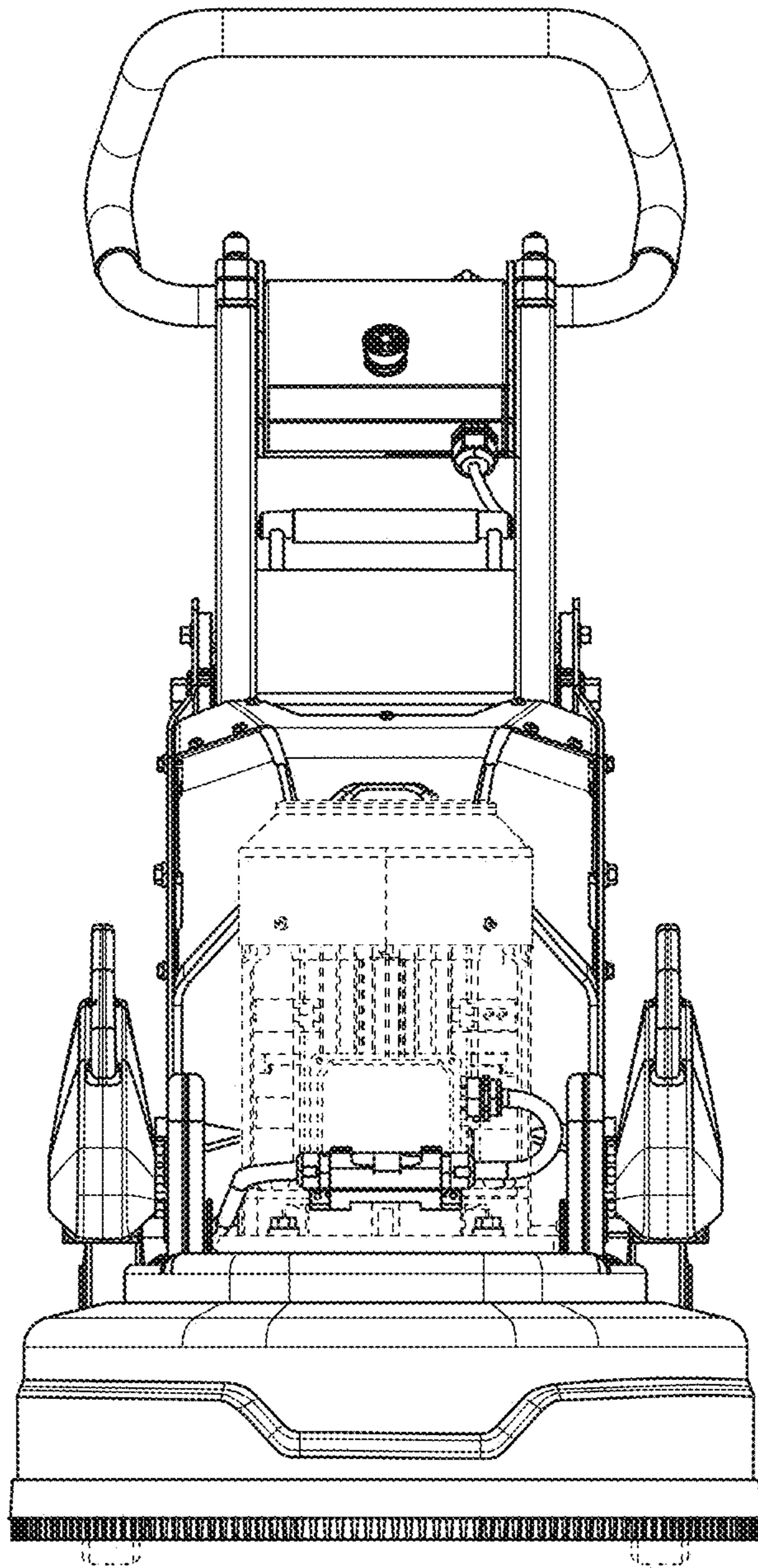


FIG. 2

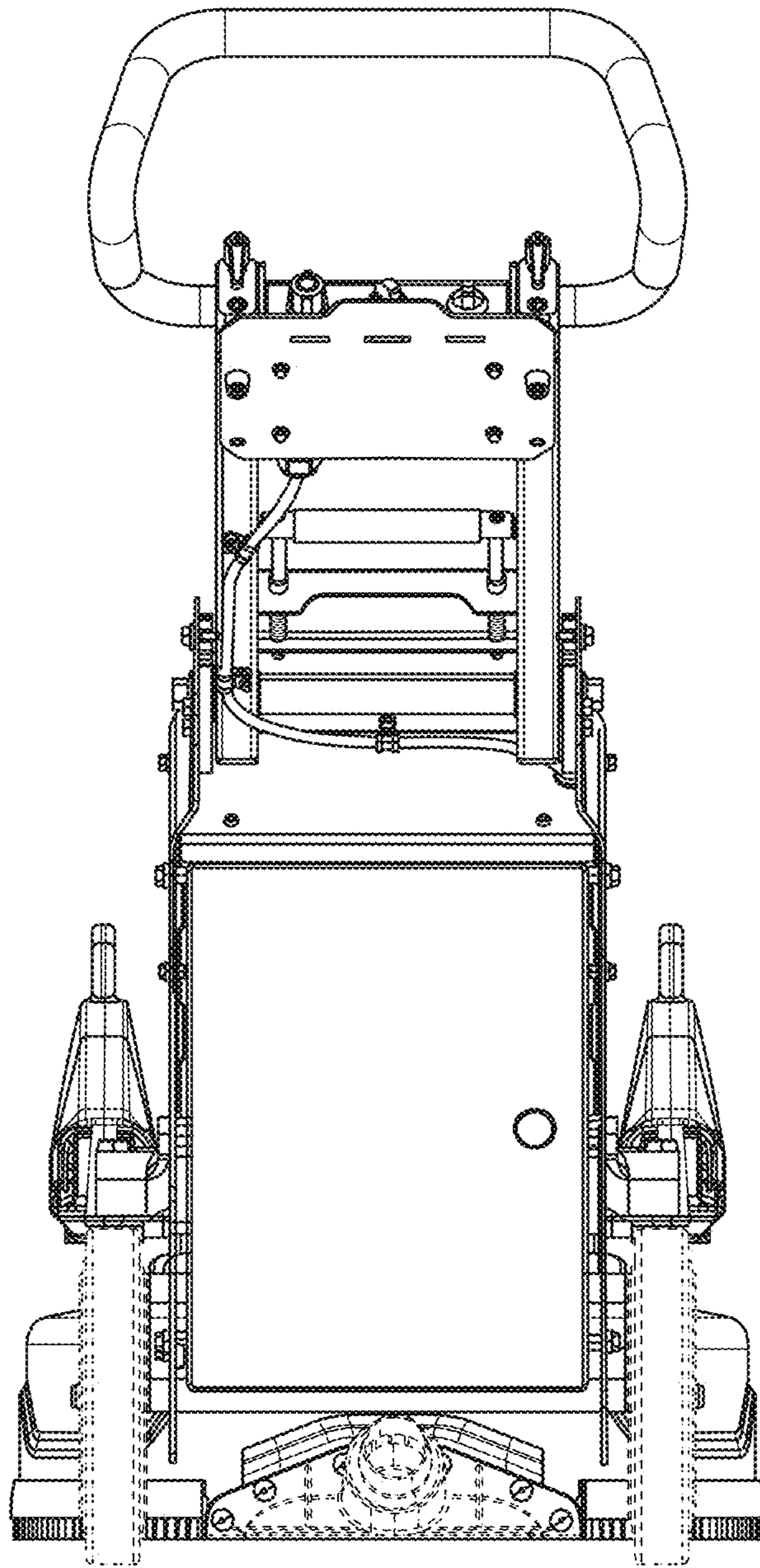


FIG. 3

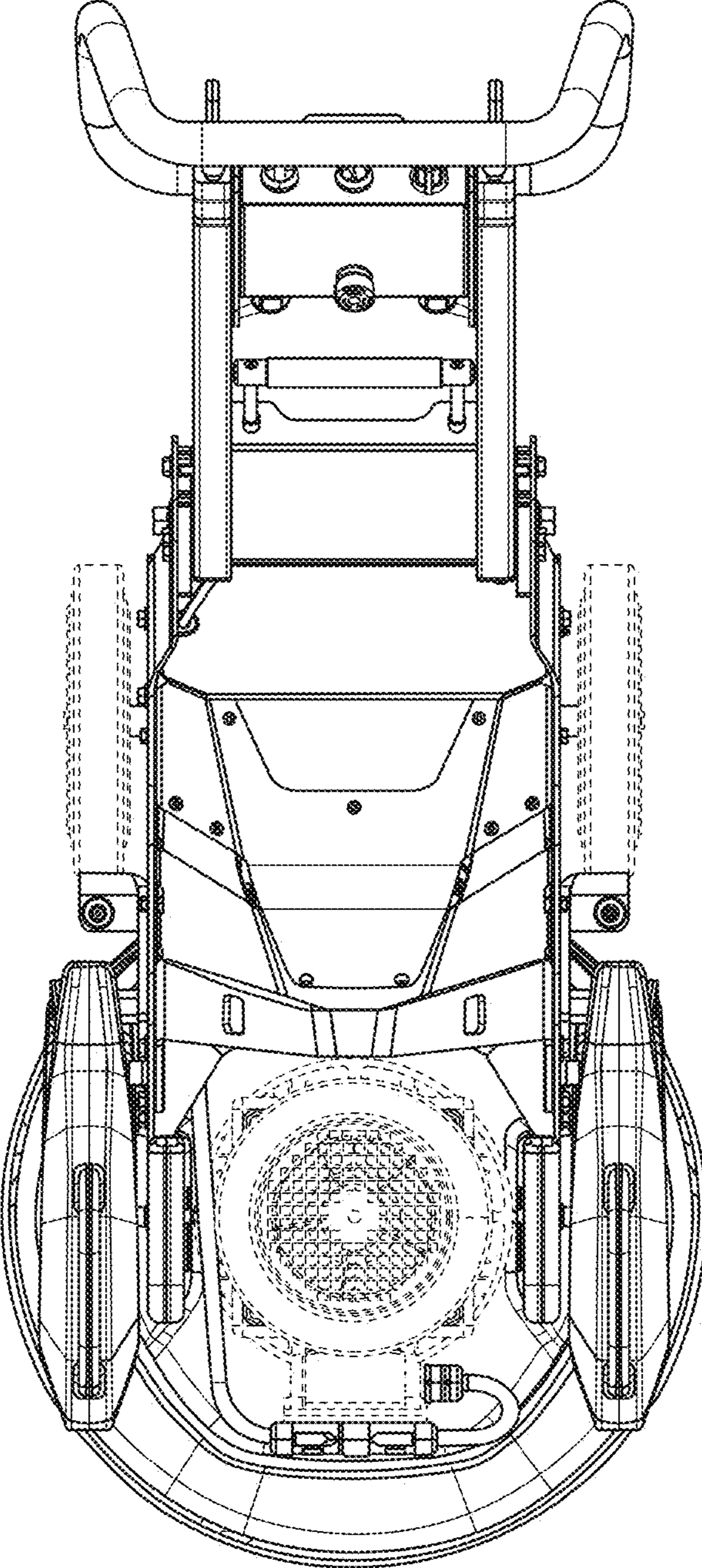


FIG. 4

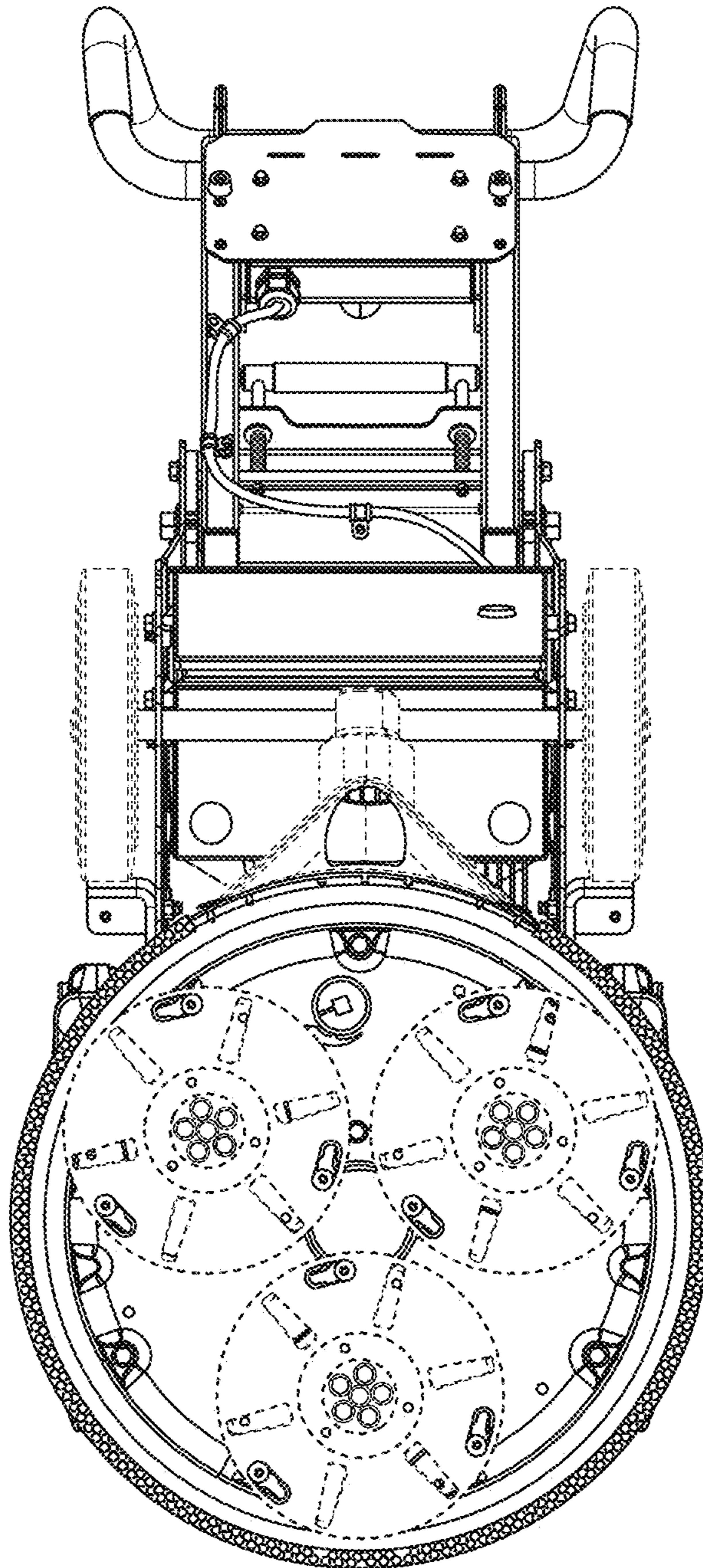


FIG. 5

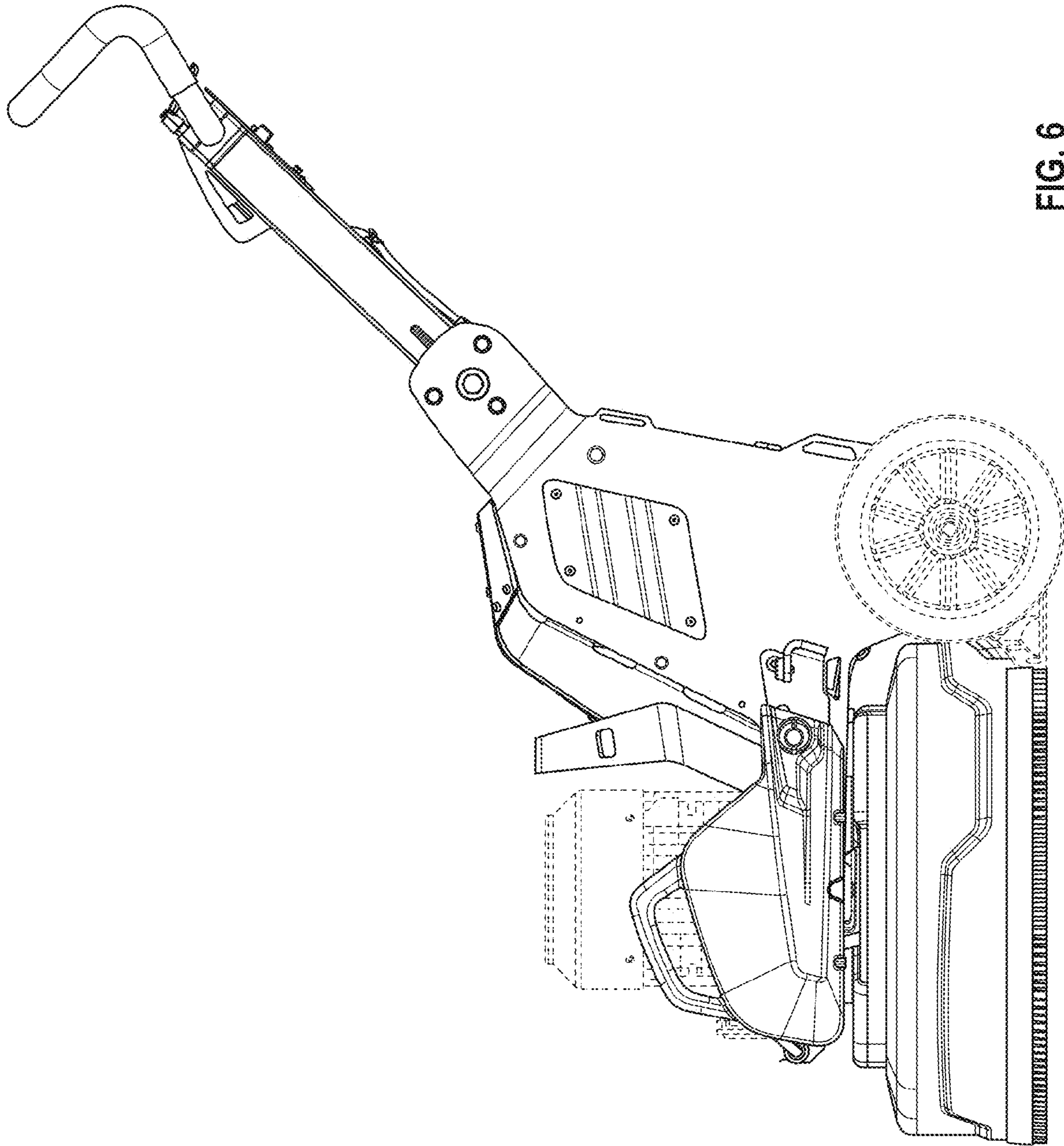


FIG. 6

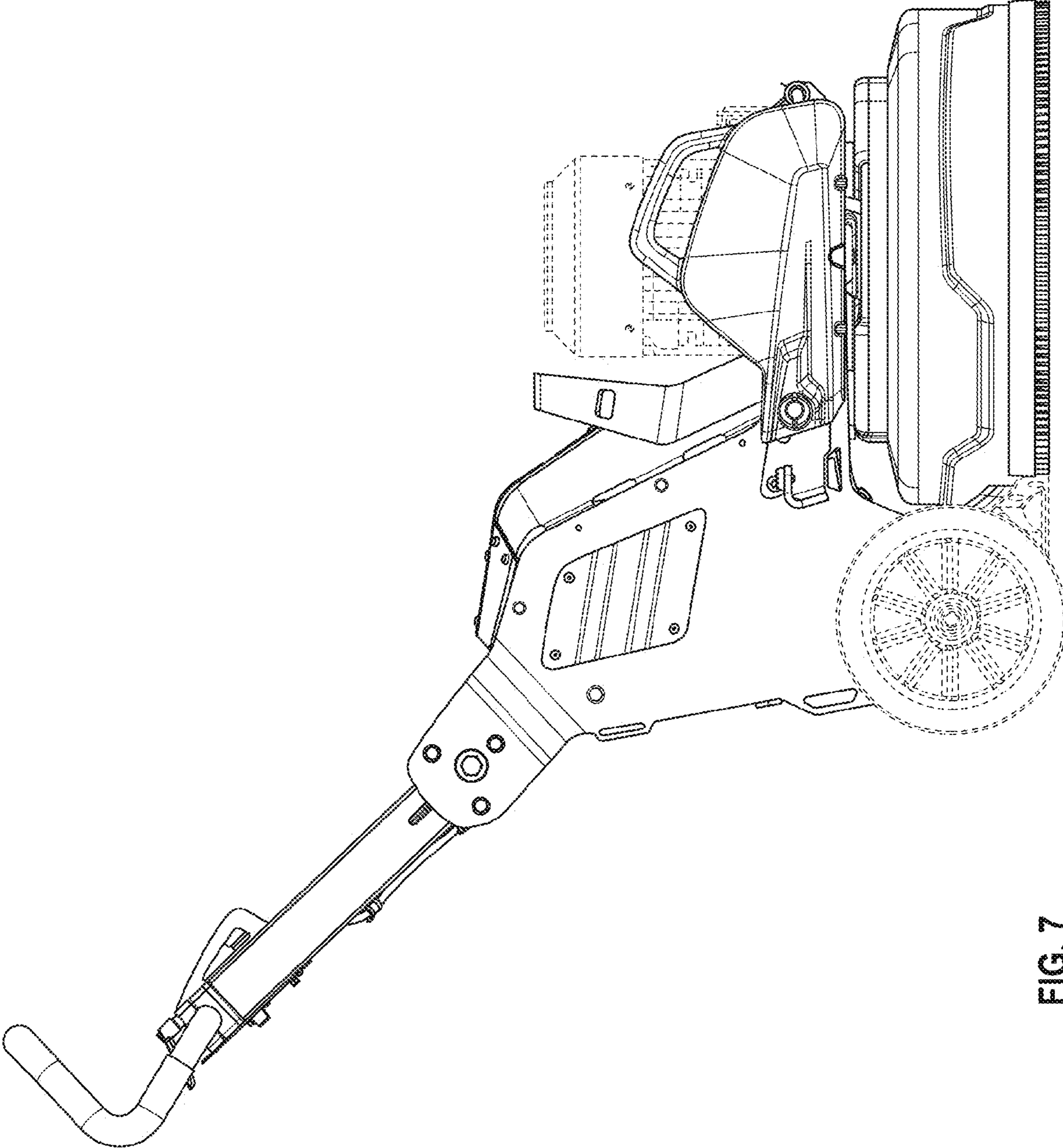


FIG. 7