



US00D947907S

(12) **United States Design Patent**
Corcoran et al.

(10) **Patent No.:** **US D947,907 S**

(45) **Date of Patent:** **** Apr. 5, 2022**

(54) **ELECTRIC ROLLER PRESS**
(71) Applicants: **Kevin L Corcoran**, Mission Viejo, CA
(US); **Phaysouk Xayoiphonh**,
Temecula, CA (US)

(72) Inventors: **Kevin L Corcoran**, Mission Viejo, CA
(US); **Phaysouk Xayoiphonh**,
Temecula, CA (US)

(73) Assignee: **Ellison Educational Equipment, Inc.**,
Lake Forest, CA (US)

(**) Term: **15 Years**

(21) Appl. No.: **29/717,771**

(22) Filed: **Dec. 19, 2019**

(51) **LOC (13) Cl.** **15-09**

(52) **U.S. Cl.**
USPC **D15/123; D15/128**

(58) **Field of Classification Search**
USPC D15/122, 123, 128, 145, 146;
D18/34.1-34.9, 50, 99; D19/74
CPC B30B 3/02; B30B 9/205; B30B 9/327;
B30B 9/3042; B30B 9/3082; B30B 11/18;
B30B 15/165; B30B 15/308; Y02E 60/10
See application file for complete search history.

(56) **References Cited**

U.S. PATENT DOCUMENTS

D238,301 S *	12/1975	Montalbano	D15/123
5,647,260 A *	7/1997	Nabity	B26F 1/42 83/522.12
D508,701 S *	8/2005	Corcoran	D15/123
D512,734 S *	12/2005	Messina	D15/146
D540,374 S *	4/2007	Corcoran	D18/14
D542,310 S *	5/2007	Corcoran	D15/123
D587,287 S *	2/2009	Corcoran	D15/123
D607,910 S *	1/2010	Corcoran	D15/128
D632,317 S *	2/2011	Corcoran	D15/125

D655,730 S *	3/2012	Block	D15/128
D656,165 S *	3/2012	Block	D15/128
D866,624 S *	11/2019	Choi	D15/146
D869,524 S *	12/2019	Corcoran	D15/123
D912,710 S *	3/2021	Choi	D15/146
2005/0253324 A1 *	11/2005	Corcoran	B26F 1/42 271/15
2006/0174783 A1 *	8/2006	Caron	B44B 5/0009 101/3.1

(Continued)

Primary Examiner — Patricia A Palasik

(74) *Attorney, Agent, or Firm* — Morland C. Fischer

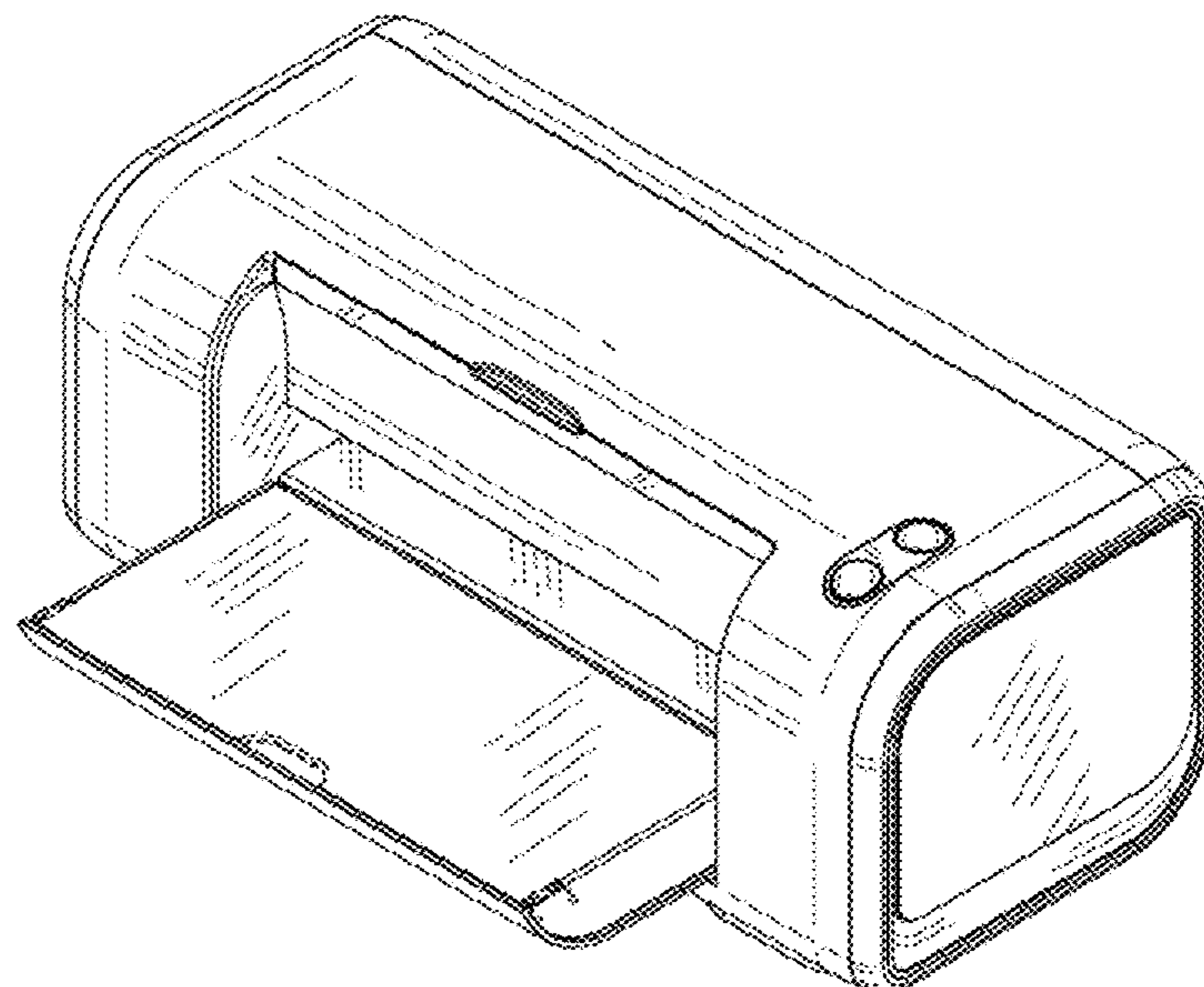
(57) **CLAIM**

The ornamental design for an electric roller press, as shown and described.

DESCRIPTION

FIG. 1 is a perspective view showing the top, front and right side of an electric roller press which forms our new design, wherein a front door of the roller press is shown closed; FIG. 2 is a perspective view showing the top, front and right side thereof, wherein the front door is shown opened; FIG. 3 is a front elevational view thereof with the front door shown closed; FIG. 4 is a front elevational view thereof with the front door shown opened; FIG. 5 is a rear elevational view thereof; FIG. 6 is a top plan view thereof with the front door shown closed; FIG. 7 is a top plan view thereof with the front door shown opened; FIG. 8 is a right side elevational view thereof with the front door shown closed; and, FIG. 9 is a right side elevational view thereof with the front door shown opened. The broken lines in the drawings depict portions of the electric roller press that form no part of the claimed design.

1 Claim, 5 Drawing Sheets



(56)

References Cited

U.S. PATENT DOCUMENTS

2007/0214972 A1* 9/2007 Ayala B26F 1/42
100/176
2011/0185923 A1* 8/2011 Lee B26F 1/42
100/176
2012/0145022 A1* 6/2012 Dickinson D06P 5/001
101/287
2015/0273866 A1* 10/2015 Sakai B41J 11/0024
347/21

* cited by examiner

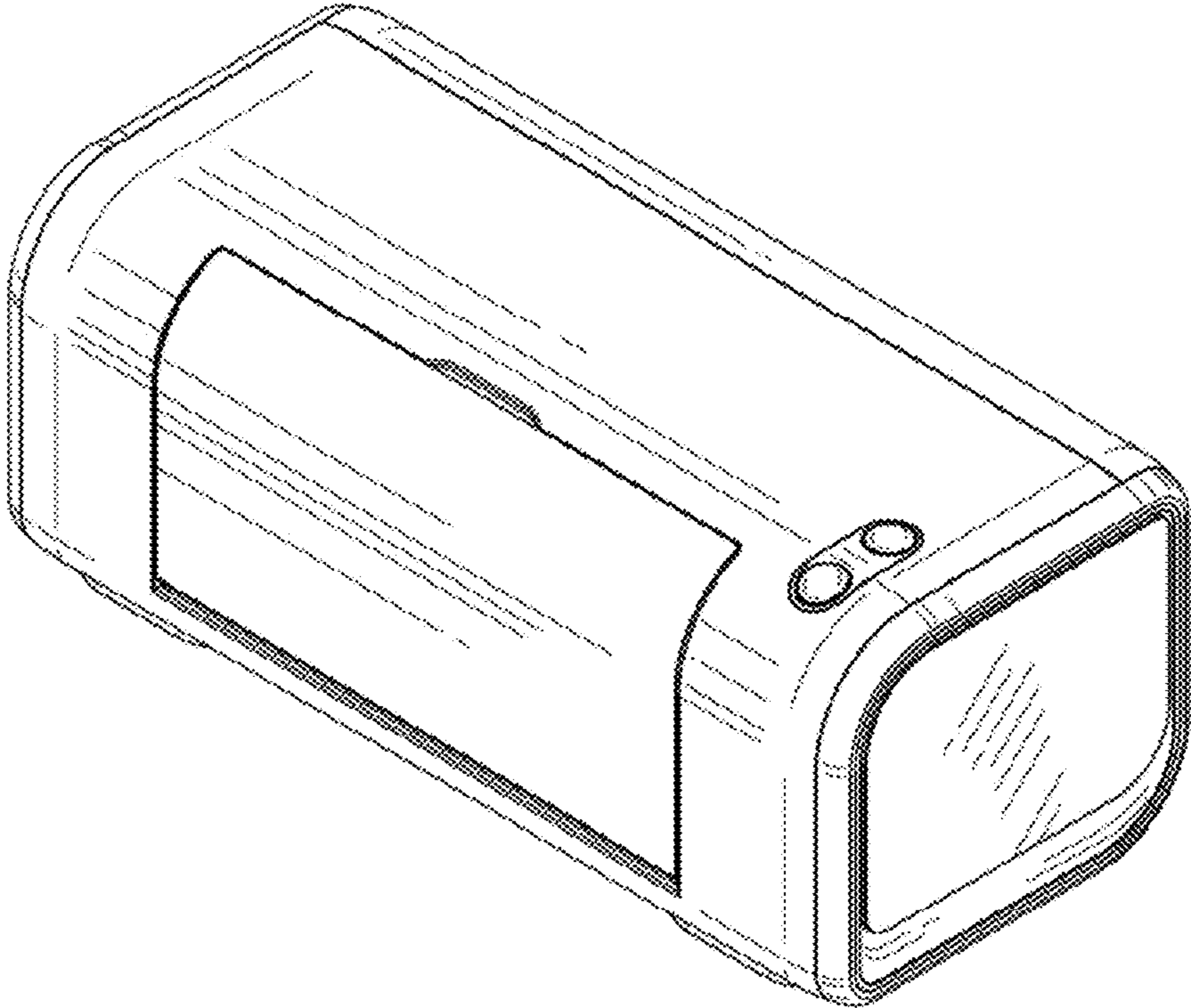


FIG 1

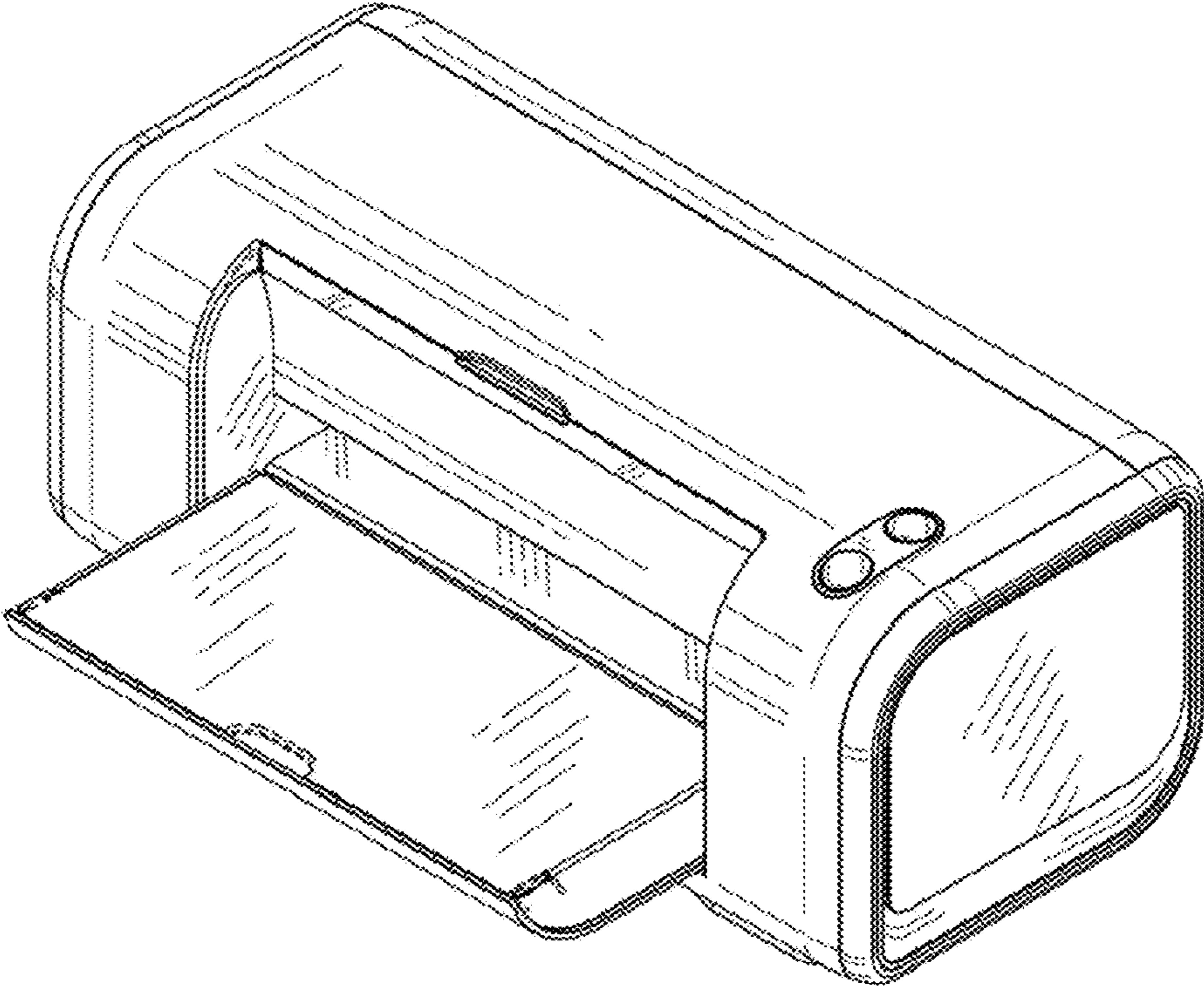


FIG 2

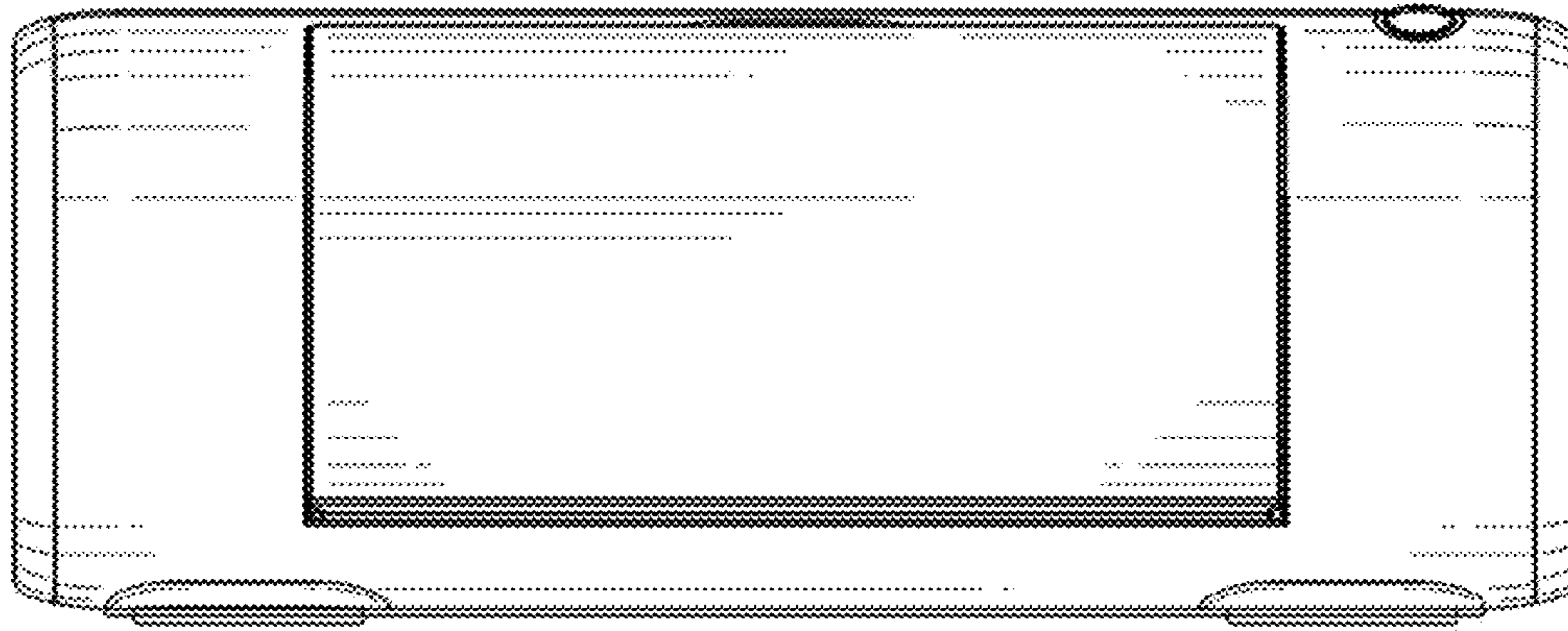


FIG 3

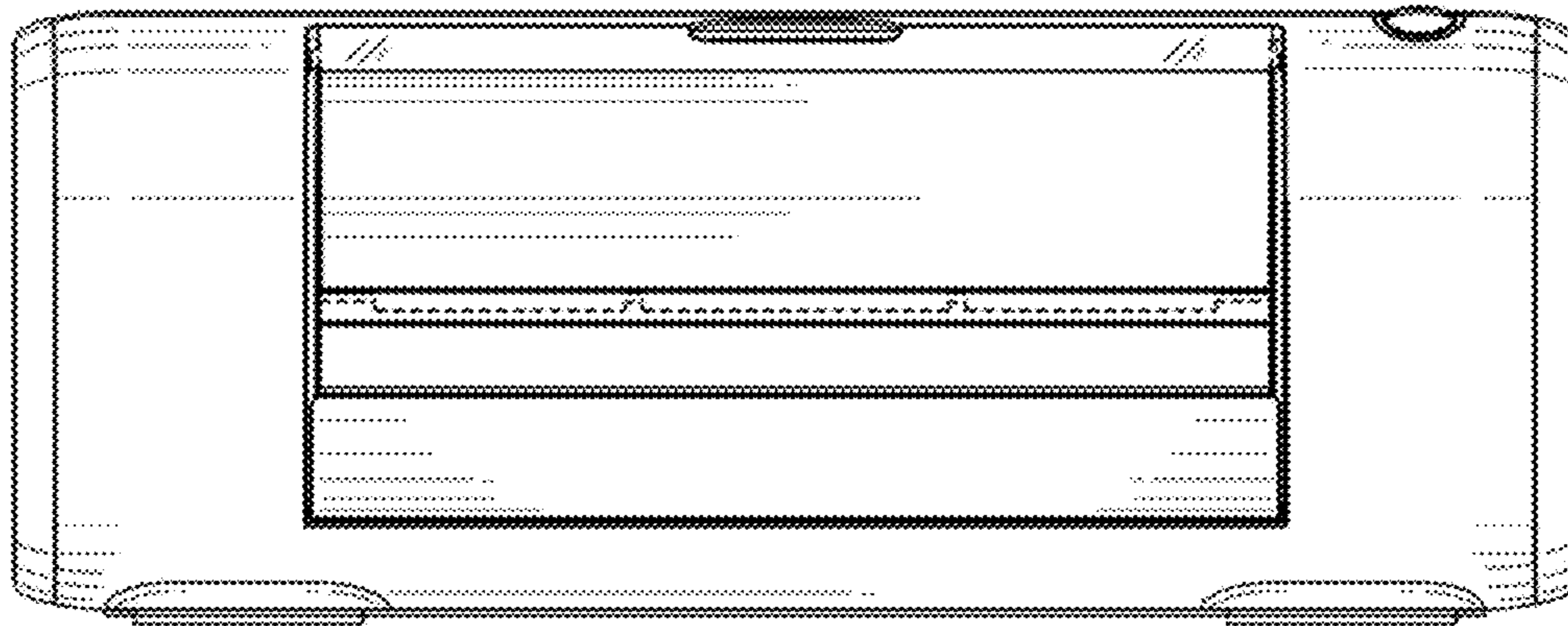


FIG 4

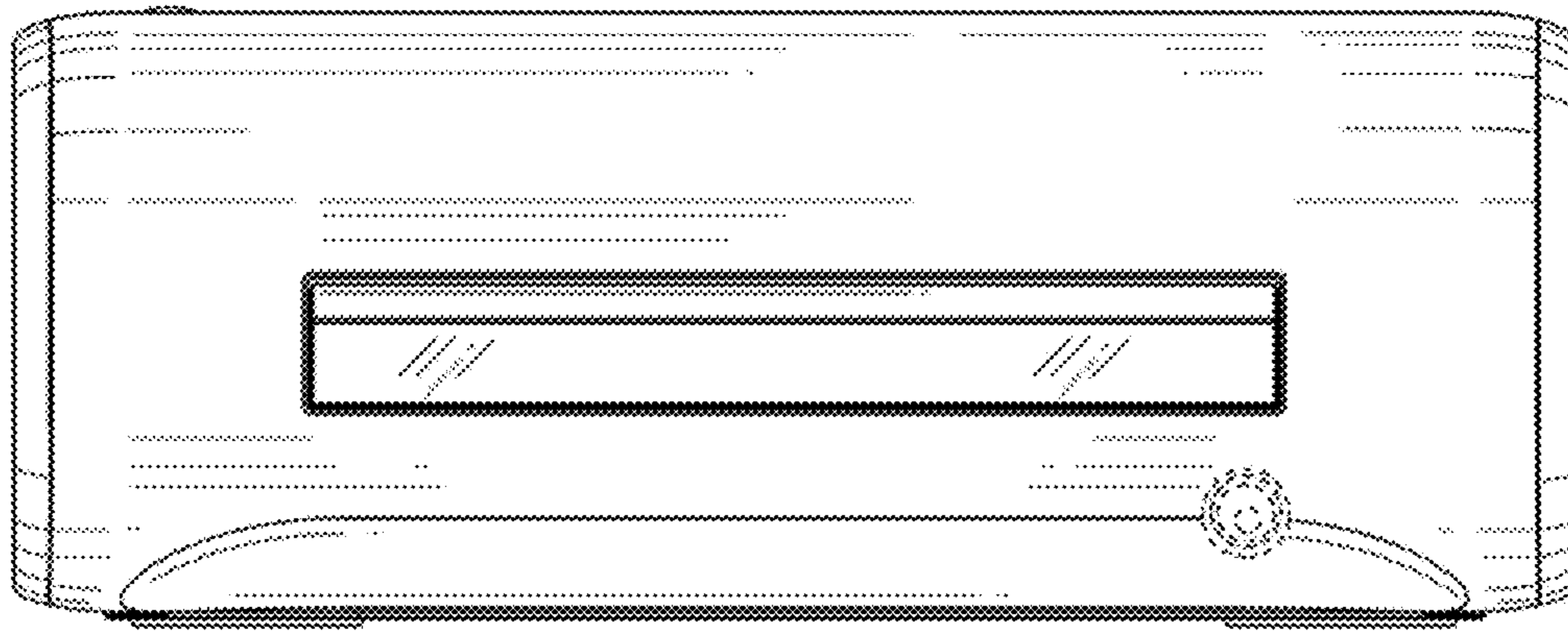


FIG 5

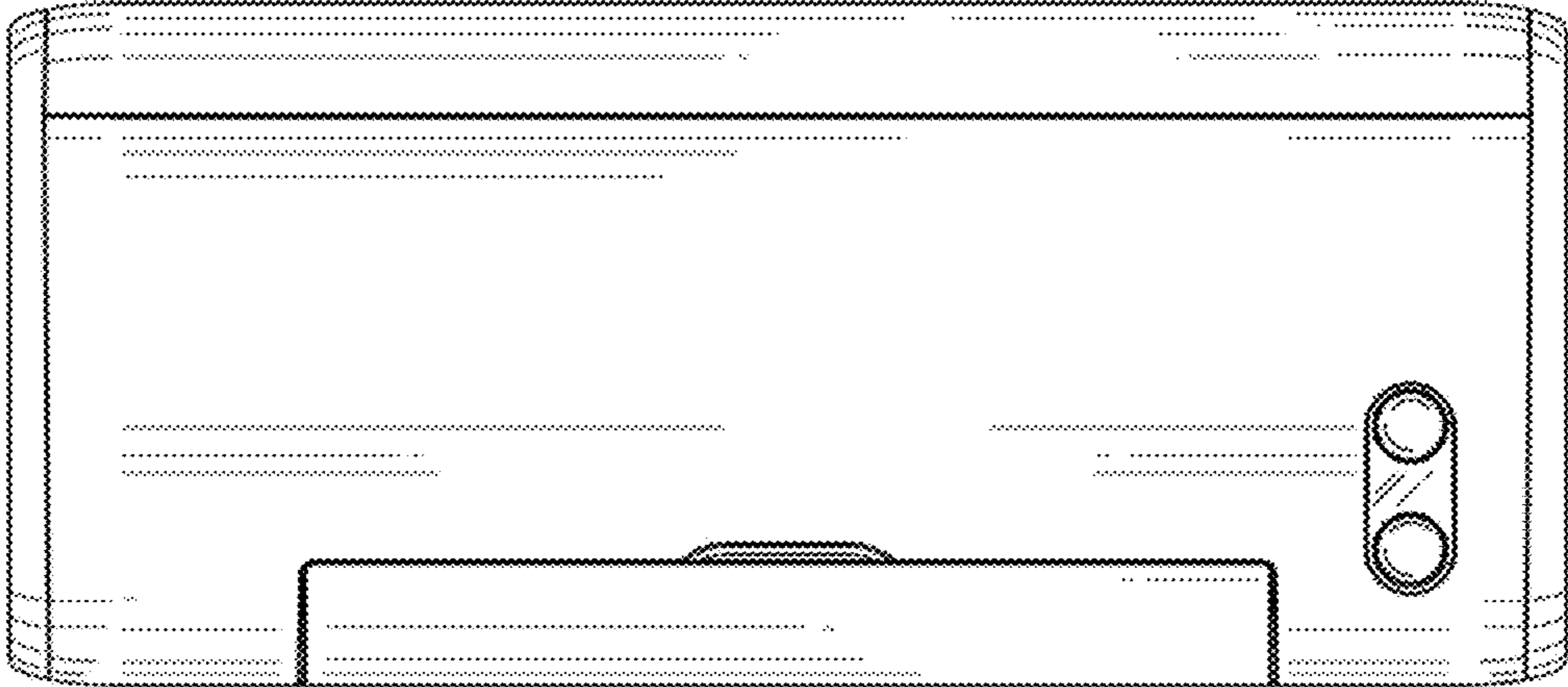


FIG 6

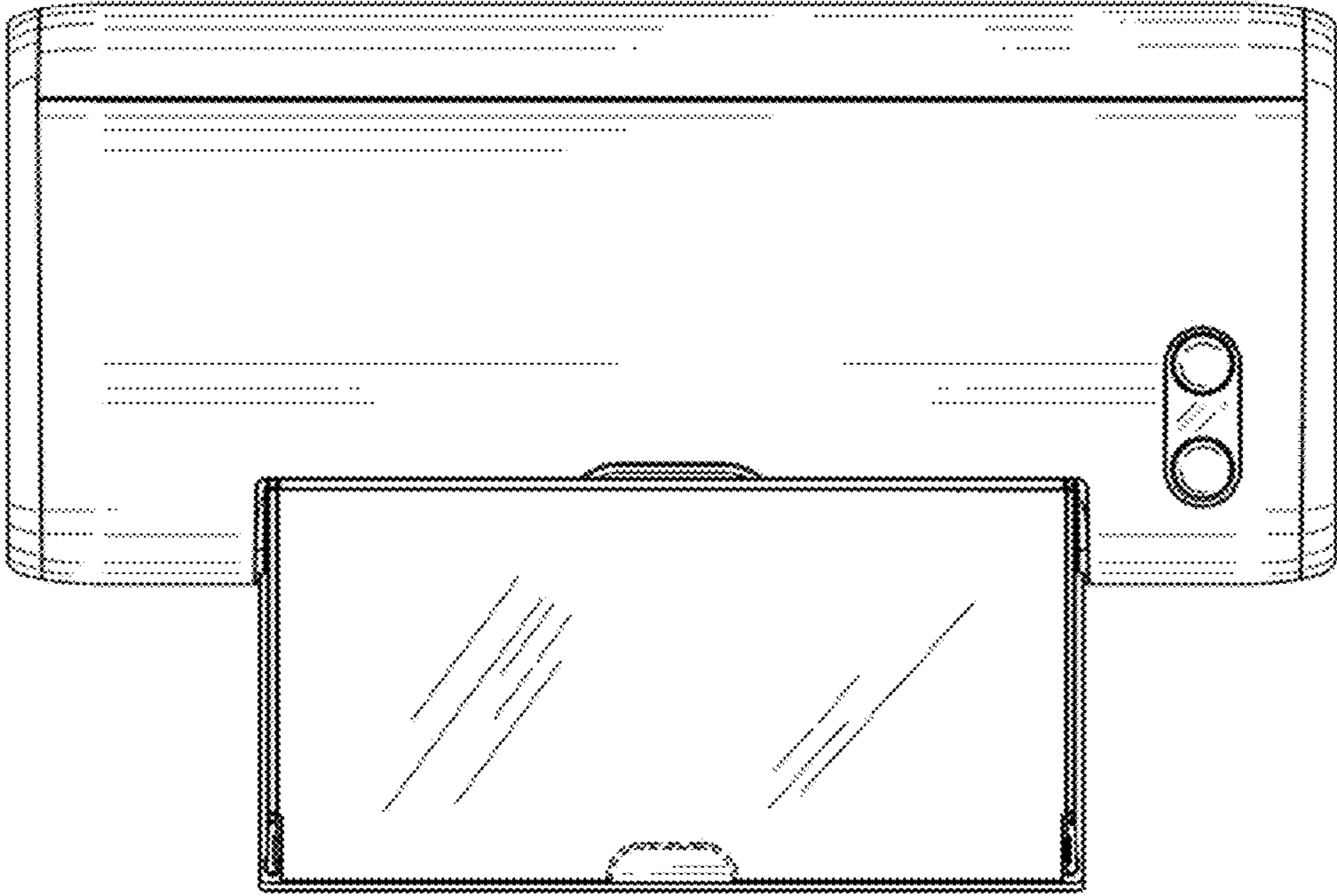


FIG 7

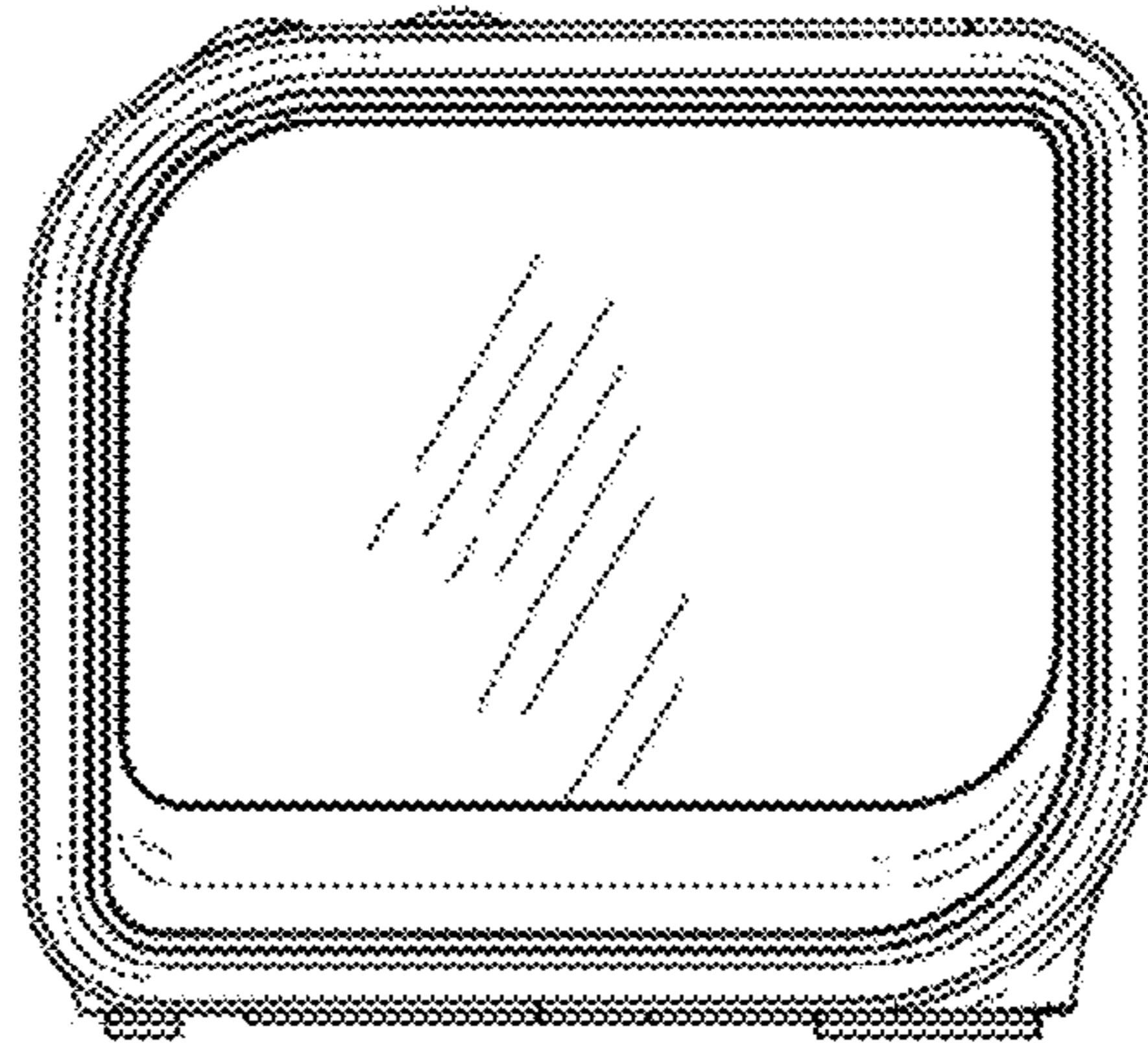


FIG 8

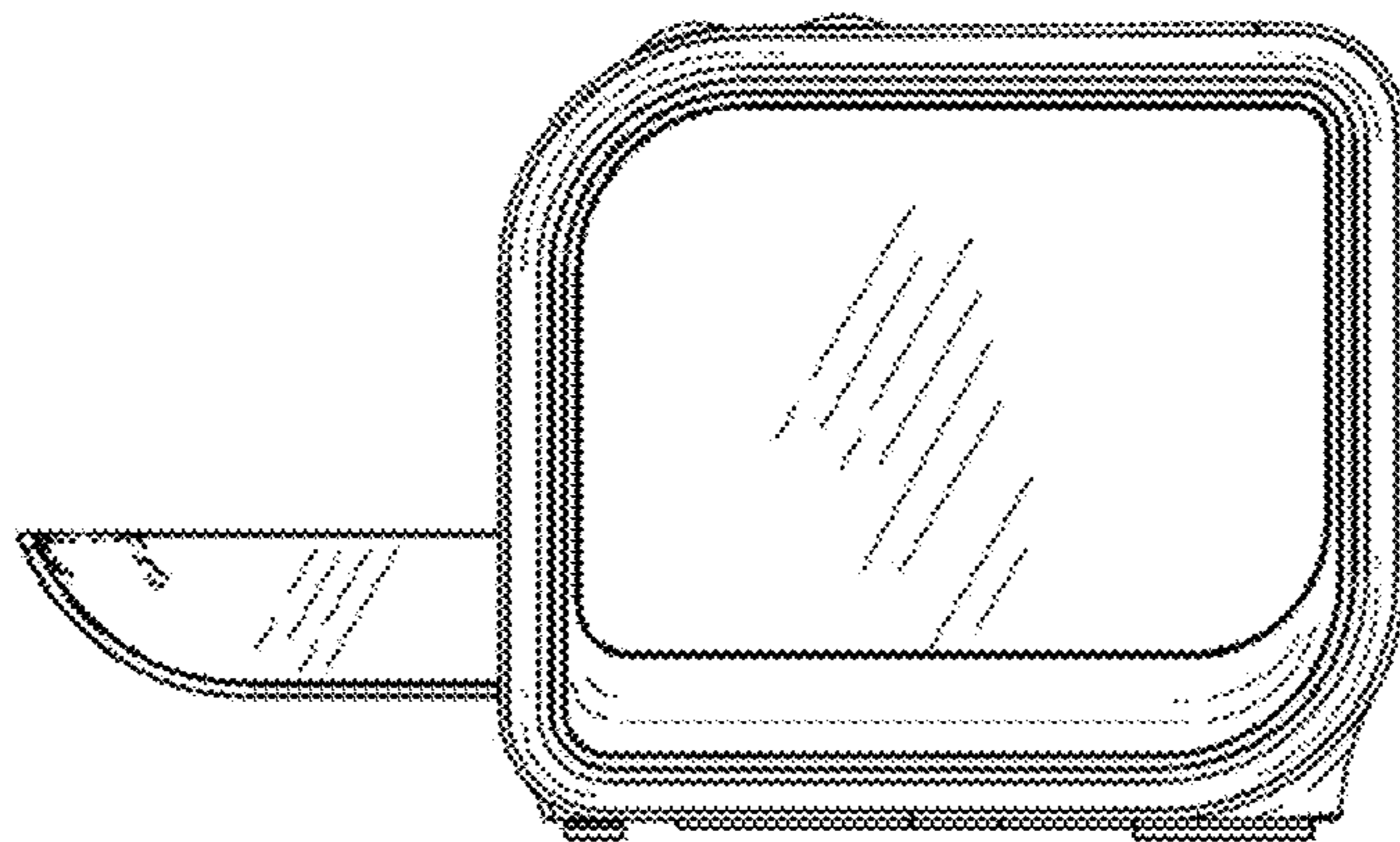


FIG 9