



US00D947906S

(12) **United States Design Patent**  
**Jaun**

(10) **Patent No.:** **US D947,906 S**

(45) **Date of Patent:** **\*\* Apr. 5, 2022**

(54) **DIE CASTING MACHINE**

(71) Applicant: **Bühler AG**, Uzwil (CH)

(72) Inventor: **Christoph Jaun**, Zürich (CH)

(73) Assignee: **Bühler AG**, Uzwil (CH)

(\*\*) Term: **15 Years**

(21) Appl. No.: **29/694,090**

(22) Filed: **Jun. 7, 2019**

(51) **LOC (13) Cl.** ..... **15-09**

(52) **U.S. Cl.**  
USPC ..... **D15/122**

(58) **Field of Classification Search**

USPC .... D15/122, 145-147, 199; D18/53, 51, 59,  
D18/35.1, 99; D20/1, 4, 5, 8; D23/315;  
D24/159, 231, 234; D25/16, 23, 36  
CPC ..... B23K 23/00; B23K 23/02; B23K 23/706;  
B29C 67/0085; B23Q 3/10; B23Q 1/03;  
B23Q 17/00; B23Q 17/007; B23Q 17/24;  
B23Q 11/0891; B23Q 3/15713; B23Q  
3/15513; B23B 5/08; B23B 23/00; B23B  
3/06; B23B 29/04; B23B 27/007; B22D  
11/00; B22D 33/00

See application file for complete search history.

(56) **References Cited**

**U.S. PATENT DOCUMENTS**

D301,890 S \* 6/1989 Silbersky ..... D15/145  
D334,985 S \* 4/1993 D'Agostino ..... D25/1  
D336,479 S \* 6/1993 Shuji Shinagawa ..... D15/135  
D543,222 S \* 5/2007 Pester ..... D15/145  
D548,754 S \* 8/2007 Itabashi ..... D15/122  
D548,755 S \* 8/2007 Takeshima ..... D15/122  
D559,871 S \* 1/2008 Kittaka ..... D15/122  
D637,631 S \* 5/2011 Hiroshima ..... D15/122  
D650,417 S \* 12/2011 Brown ..... D18/53  
D651,620 S \* 1/2012 Schindler ..... D15/122  
D654,518 S \* 2/2012 Miyake ..... D15/122

D659,174 S \* 5/2012 Mueller ..... D15/122  
D659,728 S \* 5/2012 Mueller ..... D15/122  
D666,666 S \* 9/2012 Brown ..... D18/53  
D667,031 S \* 9/2012 Mueller ..... D15/122  
D667,032 S \* 9/2012 Egami ..... D15/122  
D673,212 S \* 12/2012 Okamoto ..... D18/53  
D683,771 S \* 6/2013 Shimano ..... D15/122

(Continued)

*Primary Examiner* — Sheryl Lane

*Assistant Examiner* — Mark T. Philipps

(74) *Attorney, Agent, or Firm* — Nixon & Vanderhye P.C.

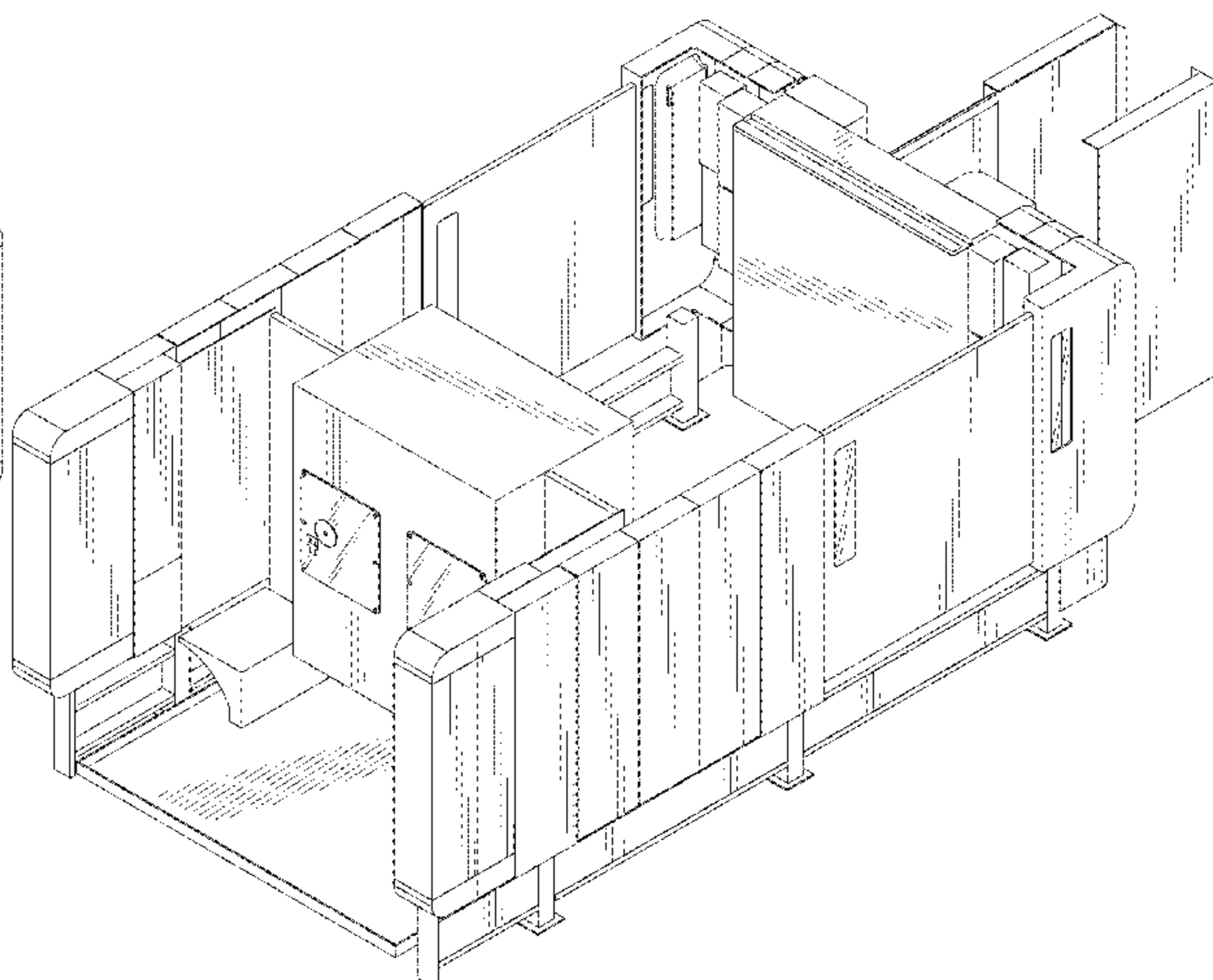
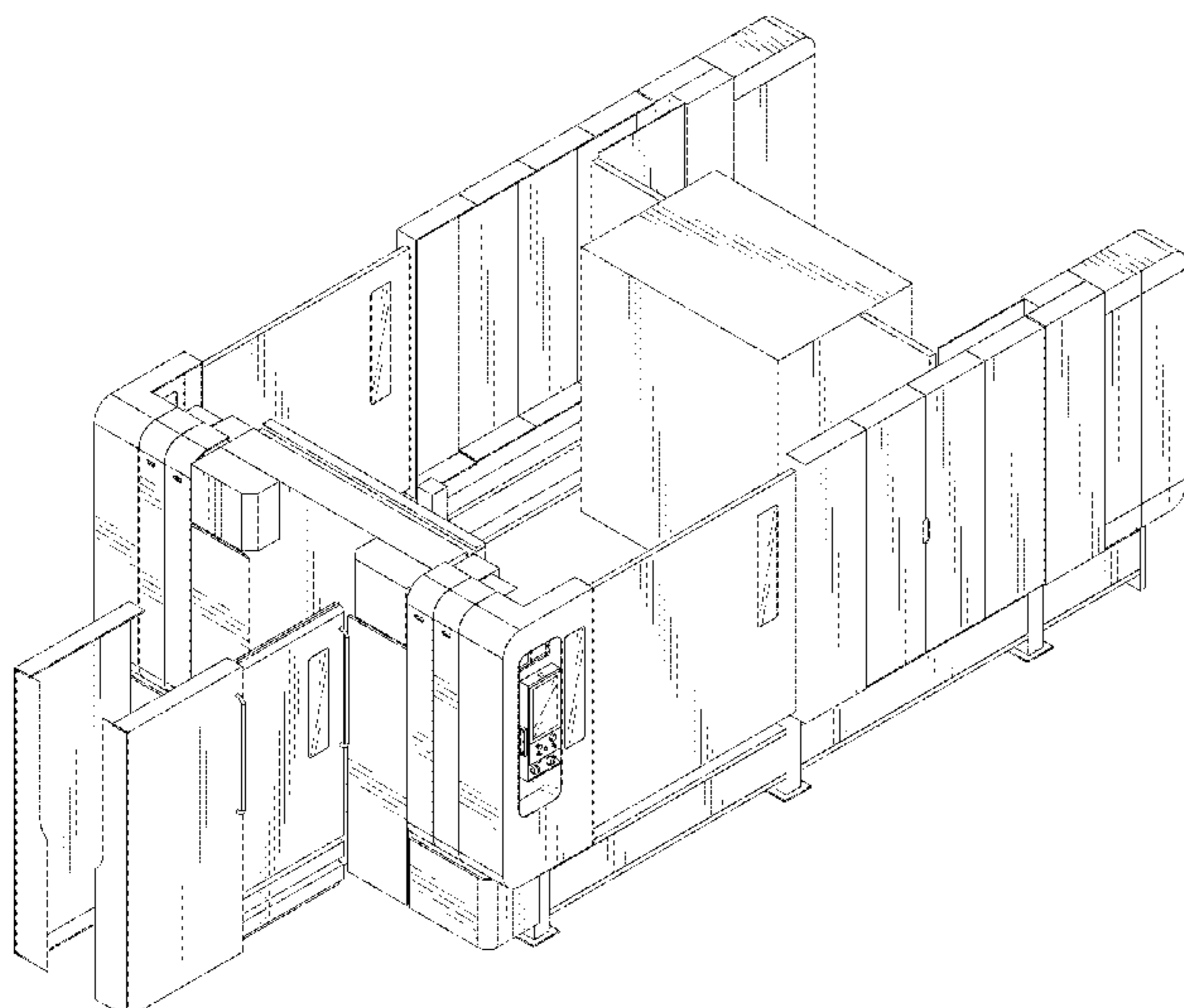
(57) **CLAIM**

The ornamental design for a die casting machine, as shown and described.

**DESCRIPTION**

FIG. 1 is a front perspective view of a die casting machine showing a first embodiment of my new design; FIG. 2 is a reverse perspective view thereof; FIG. 3 is an opposite perspective view thereof; FIG. 4 is yet another perspective view thereof; FIG. 5 is a right side view thereof; FIG. 6 is a left side view thereof; FIG. 7 is a top view thereof; FIG. 8 is a bottom view thereof; FIG. 9 is a front view thereof; FIG. 10 is a rear view thereof; FIG. 11 is a front perspective view of a die casting machine showing a second embodiment my new design; FIG. 12 is a reverse perspective view thereof; FIG. 13 is an opposite perspective view thereof; FIG. 14 is yet another perspective view thereof; FIG. 15 is a right side view thereof; FIG. 16 is a left side view thereof; FIG. 17 is a top view thereof; FIG. 18 is a bottom view thereof; FIG. 19 is a front view thereof; and, FIG. 20 is a rear view thereof.

**1 Claim, 18 Drawing Sheets**



(56)

## References Cited

## U.S. PATENT DOCUMENTS

D690,331 S \* 9/2013 Kitamura ..... D15/122  
D690,745 S \* 10/2013 Koide ..... D15/122  
D691,903 S \* 10/2013 Tong ..... D10/46  
D700,638 S \* 3/2014 Shou ..... D15/123  
D711,948 S \* 8/2014 Son ..... D15/199  
D716,351 S \* 10/2014 Kitamura ..... D15/122  
D718,353 S \* 11/2014 Kato ..... D15/122  
D745,070 S \* 12/2015 Schindler ..... D15/122  
D753,734 S \* 4/2016 Hanschen ..... D15/122  
D757,170 S \* 5/2016 Rafa ..... D18/53  
D759,133 S \* 6/2016 Kitamura ..... D15/122  
D762,748 S \* 8/2016 Schonherr ..... D15/122  
9,415,474 B2 \* 8/2016 Lee ..... B23Q 11/00  
D778,329 S \* 2/2017 Grobe ..... D15/122  
D780,256 S \* 2/2017 Clark, III ..... D18/53  
D797,822 S \* 9/2017 Grobe ..... D15/122  
D816,129 S \* 4/2018 Albrecht ..... D15/122  
D816,741 S \* 5/2018 Nicaise ..... D15/122  
D873,873 S \* 1/2020 Sollberger ..... D15/122  
D875,826 S \* 2/2020 Zanzotti ..... D18/53  
D884,754 S \* 5/2020 Andre ..... D15/122  
D932,524 S \* 10/2021 Tsukamoto ..... D15/122  
D932,525 S \* 10/2021 Son ..... D15/122  
D933,723 S \* 10/2021 Chen ..... D15/122  
2009/0121113 A1 \* 5/2009 Yasuda ..... B23Q 1/017  
248/429  
2015/0336229 A1 \* 11/2015 Nishida ..... B23Q 11/0891  
414/222.07  
2019/0022811 A1 \* 1/2019 Roettgen ..... B23Q 11/0891

\* cited by examiner

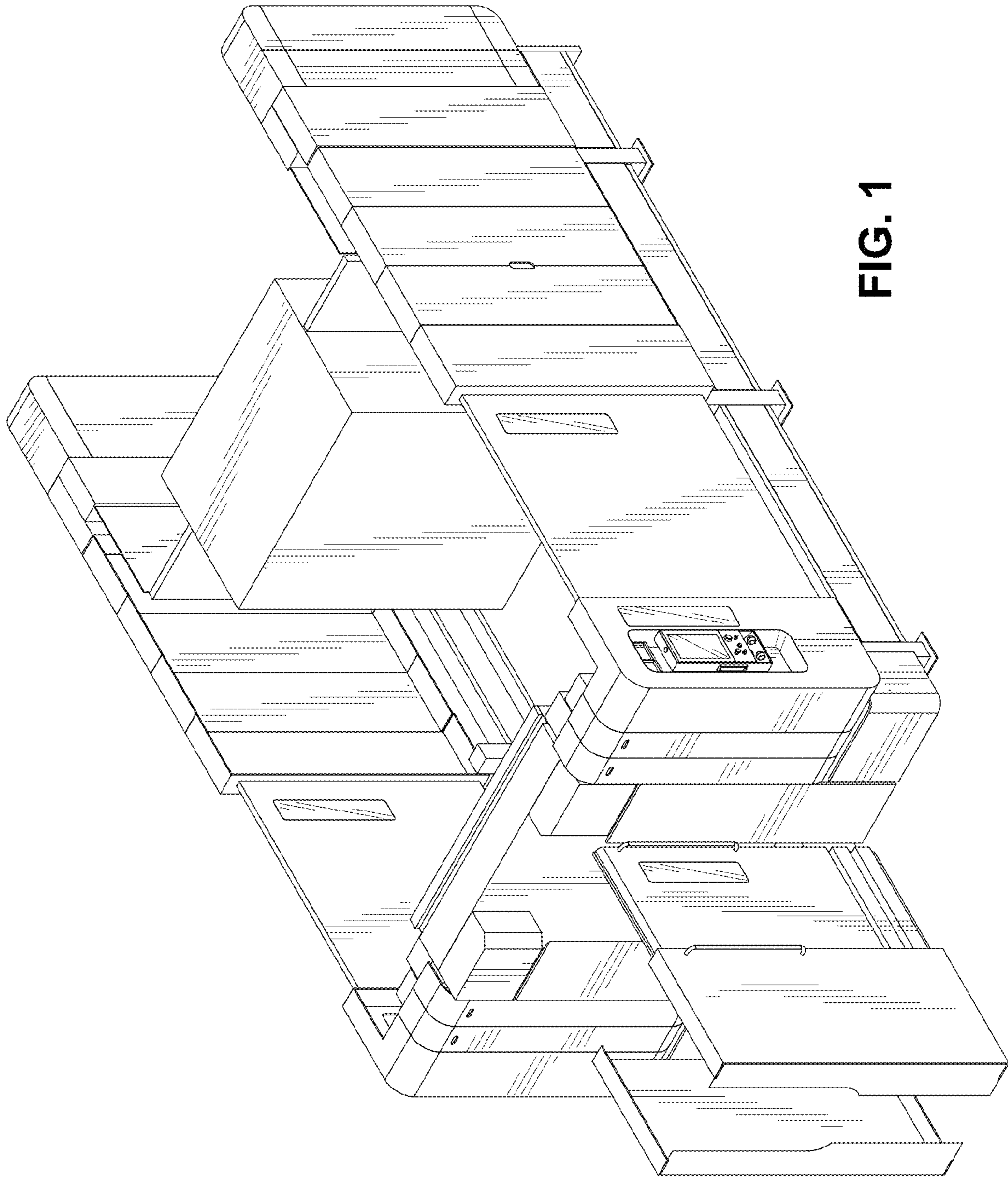


FIG. 1



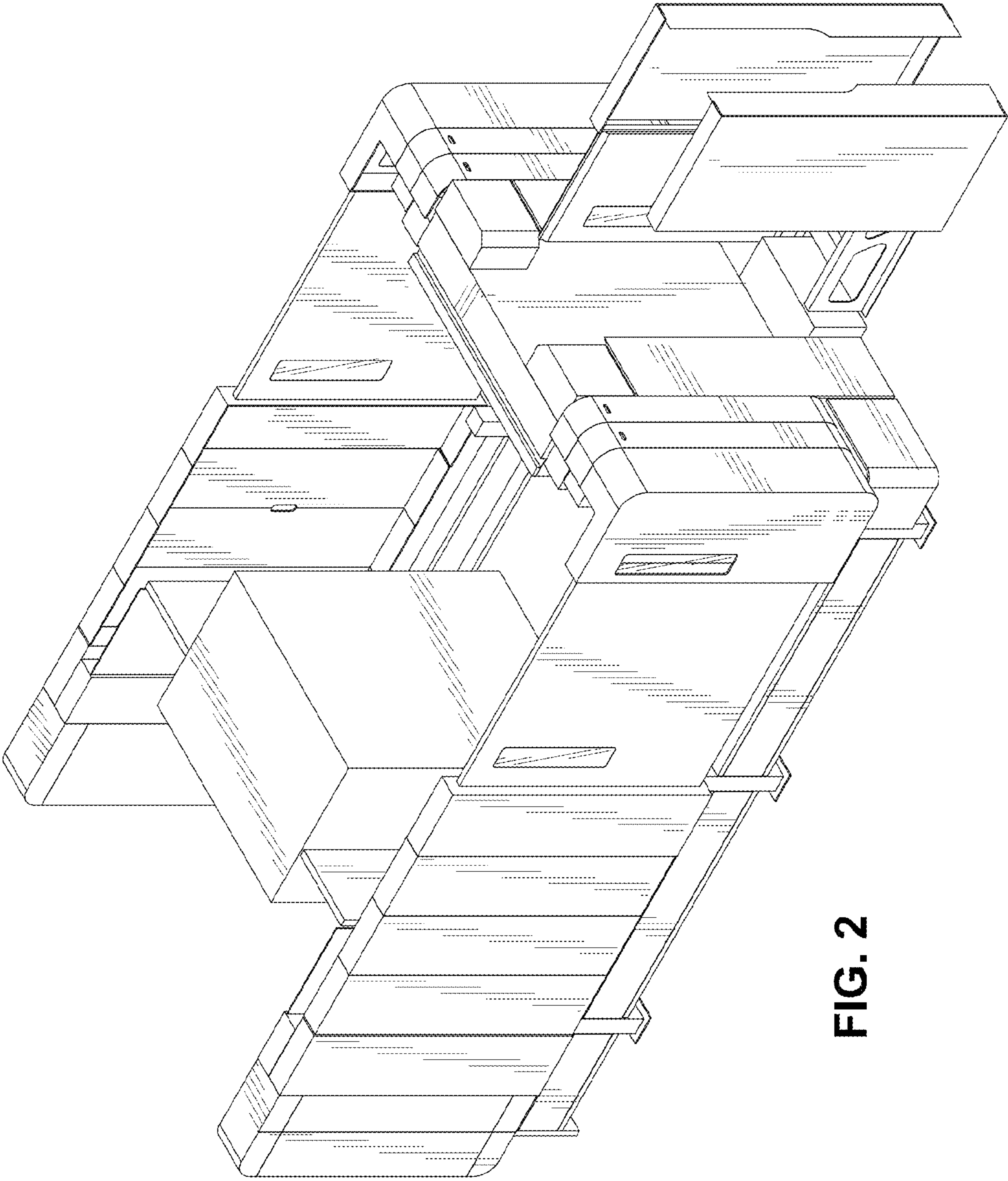


FIG. 2

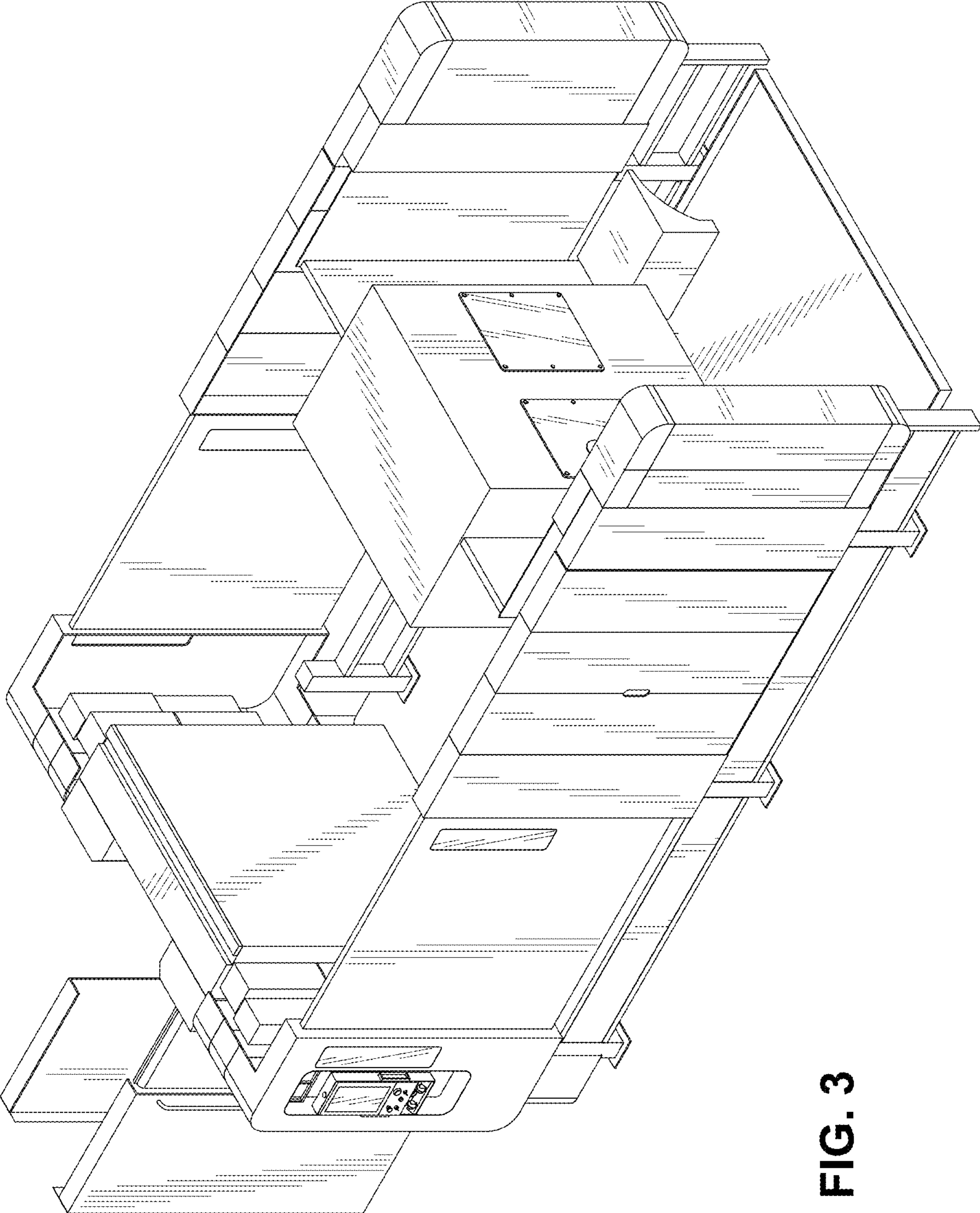


FIG. 3

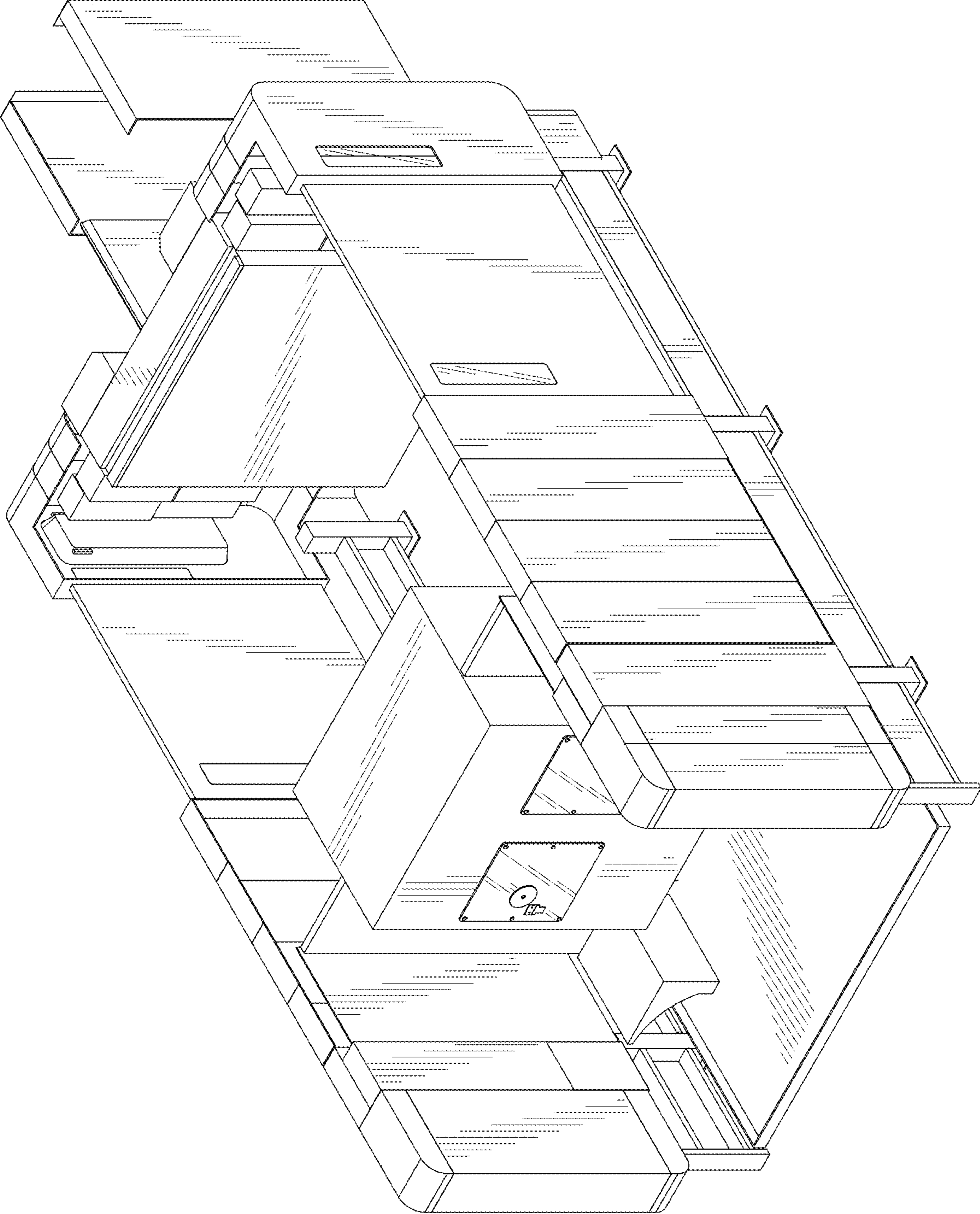


FIG. 4

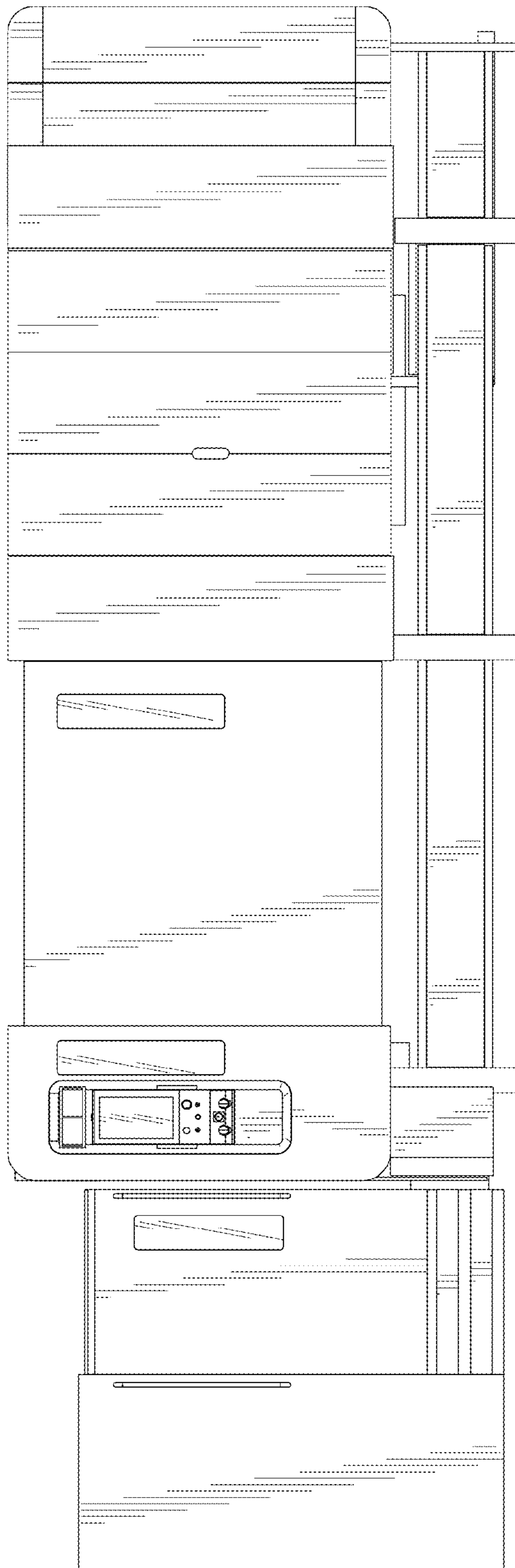


FIG. 5



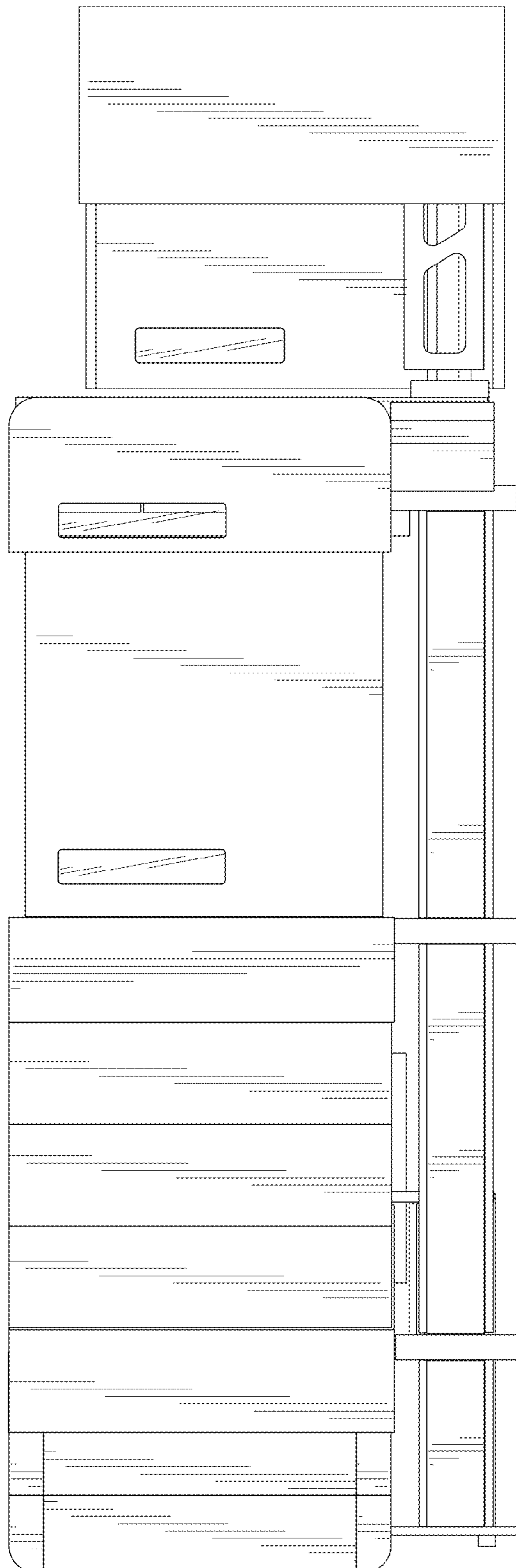


FIG. 6



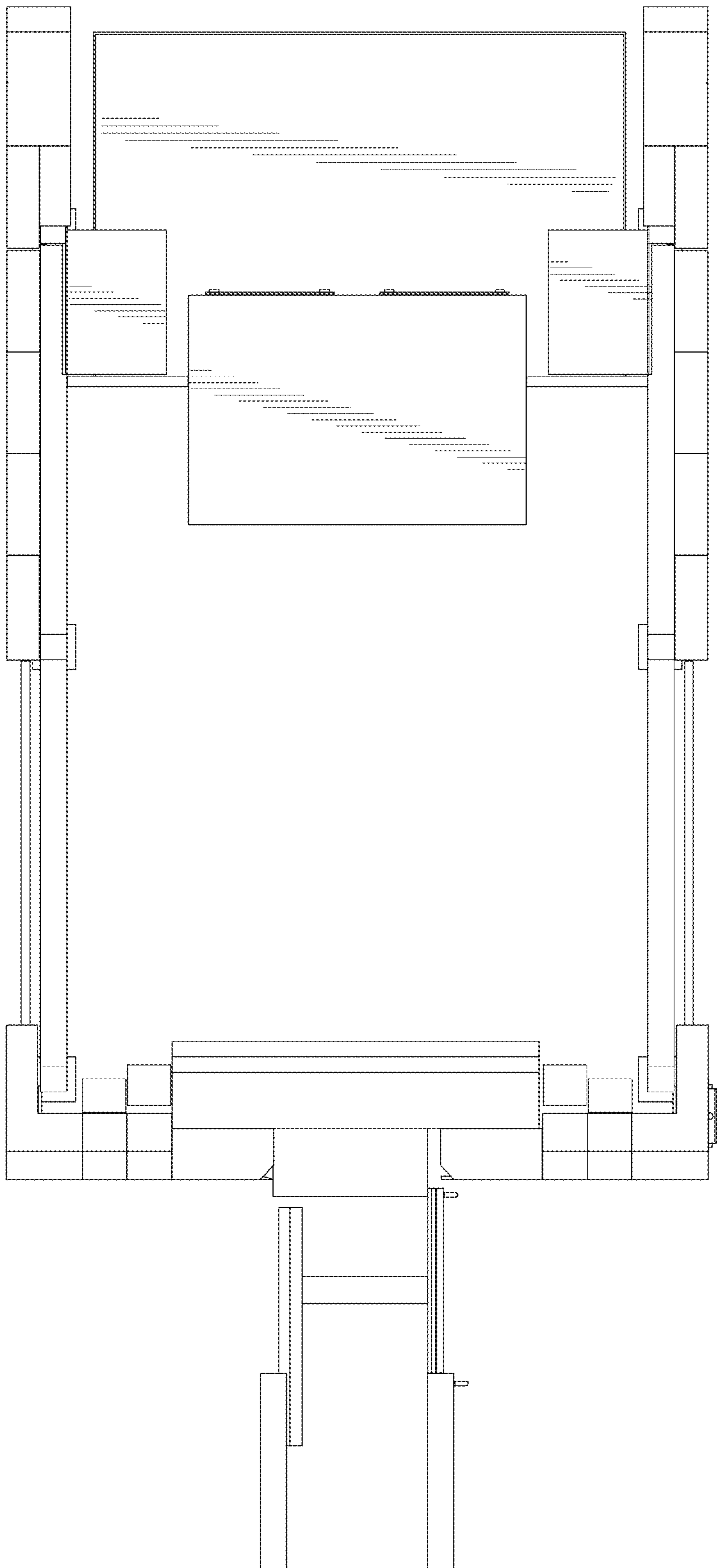


FIG. 7

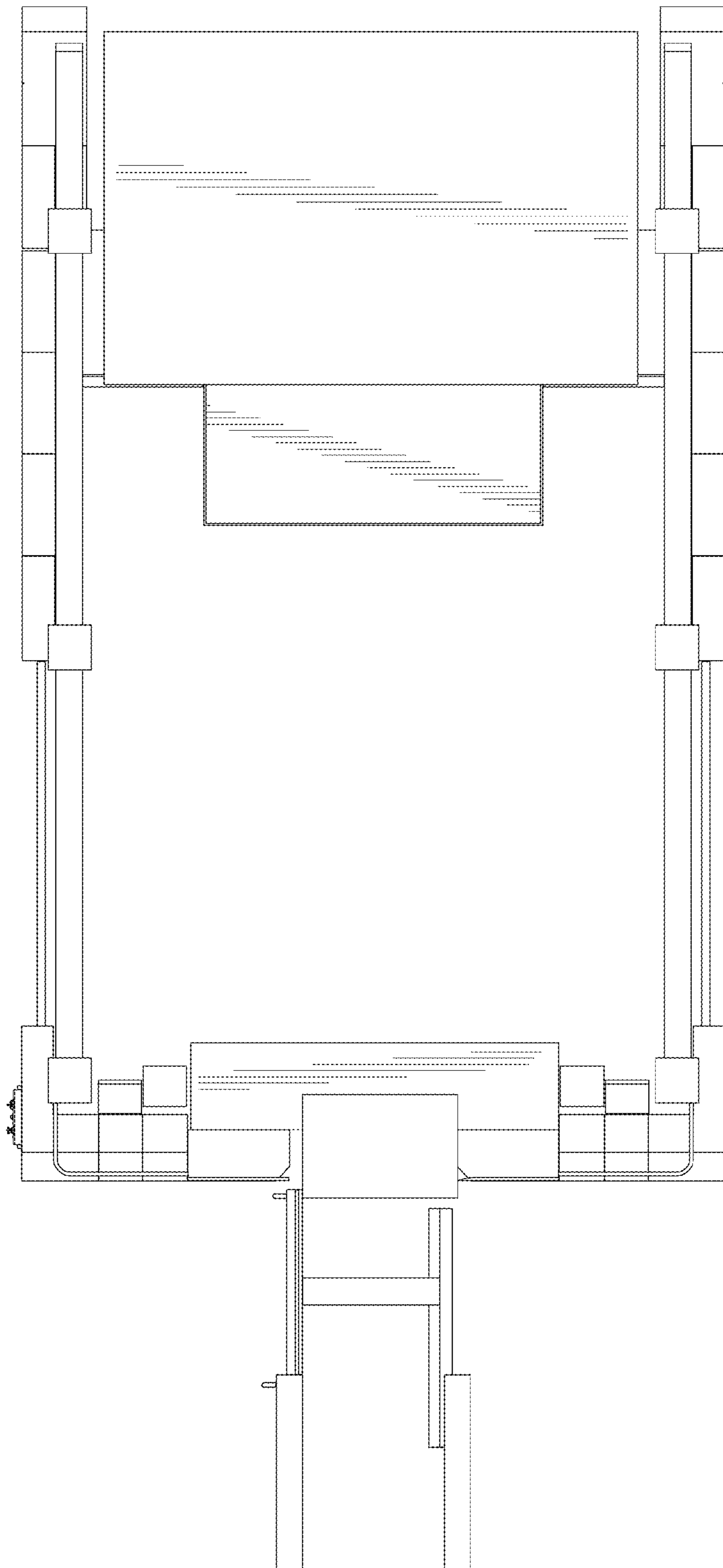


FIG. 8

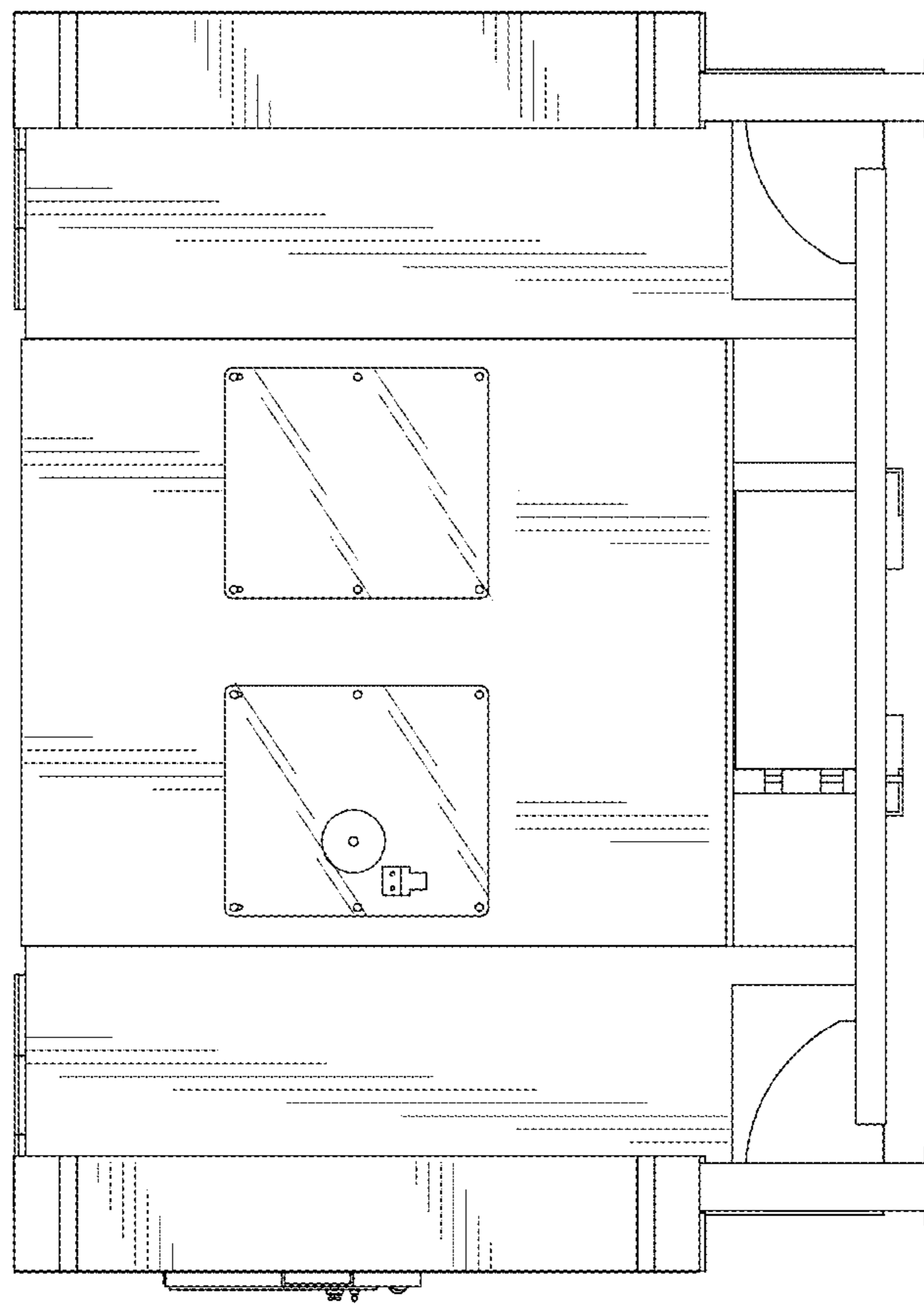


FIG. 10

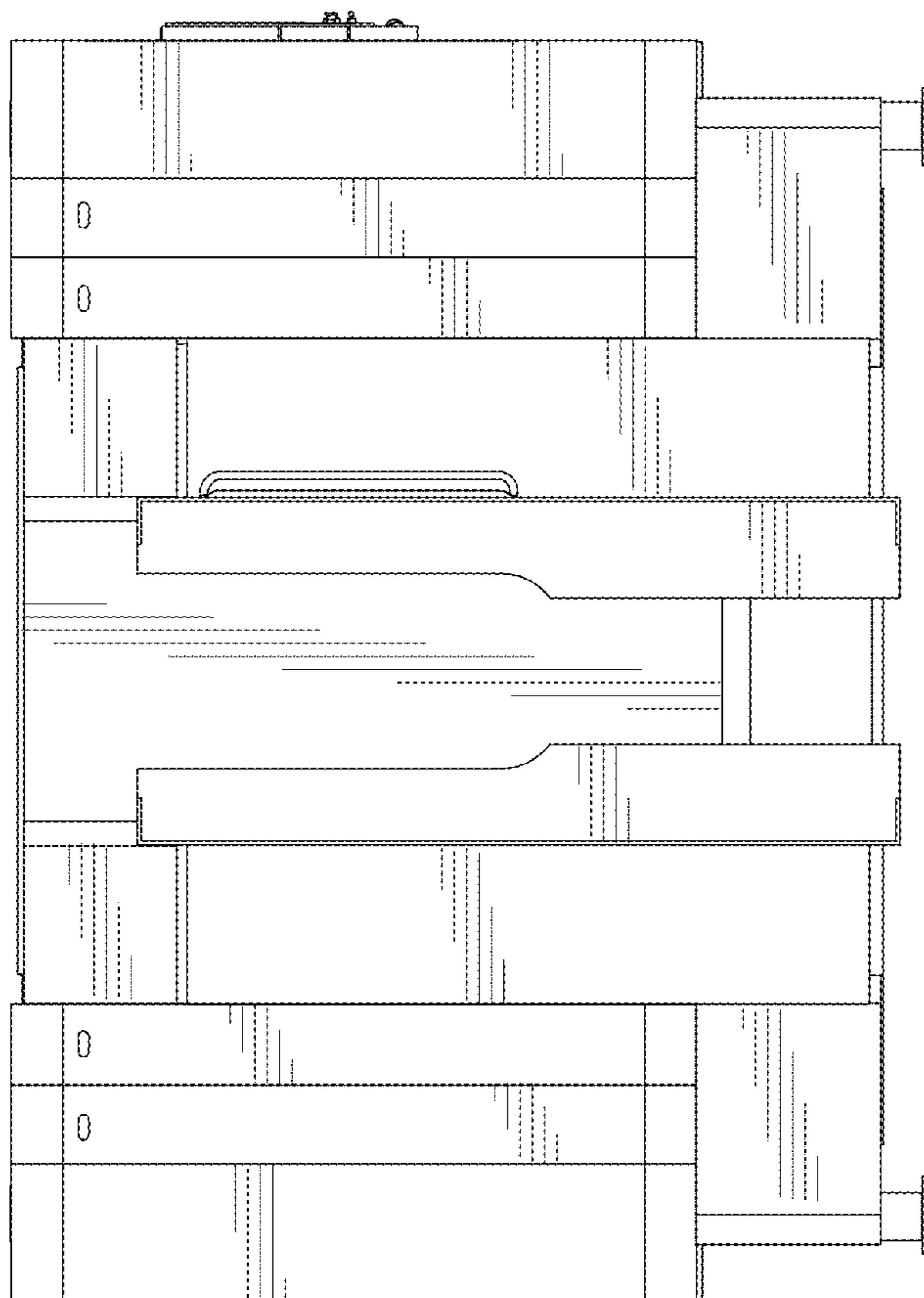


FIG. 9



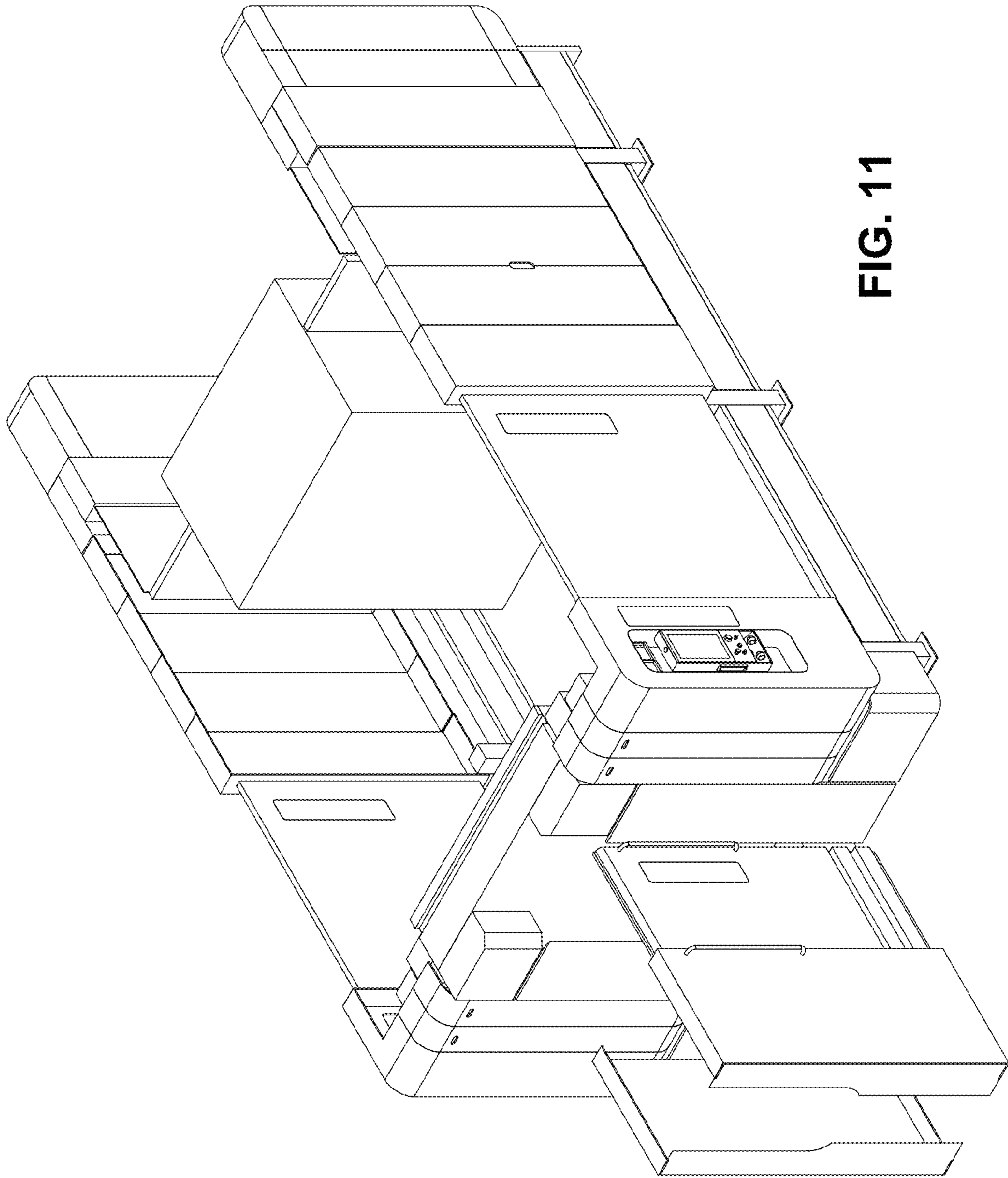


FIG. 11

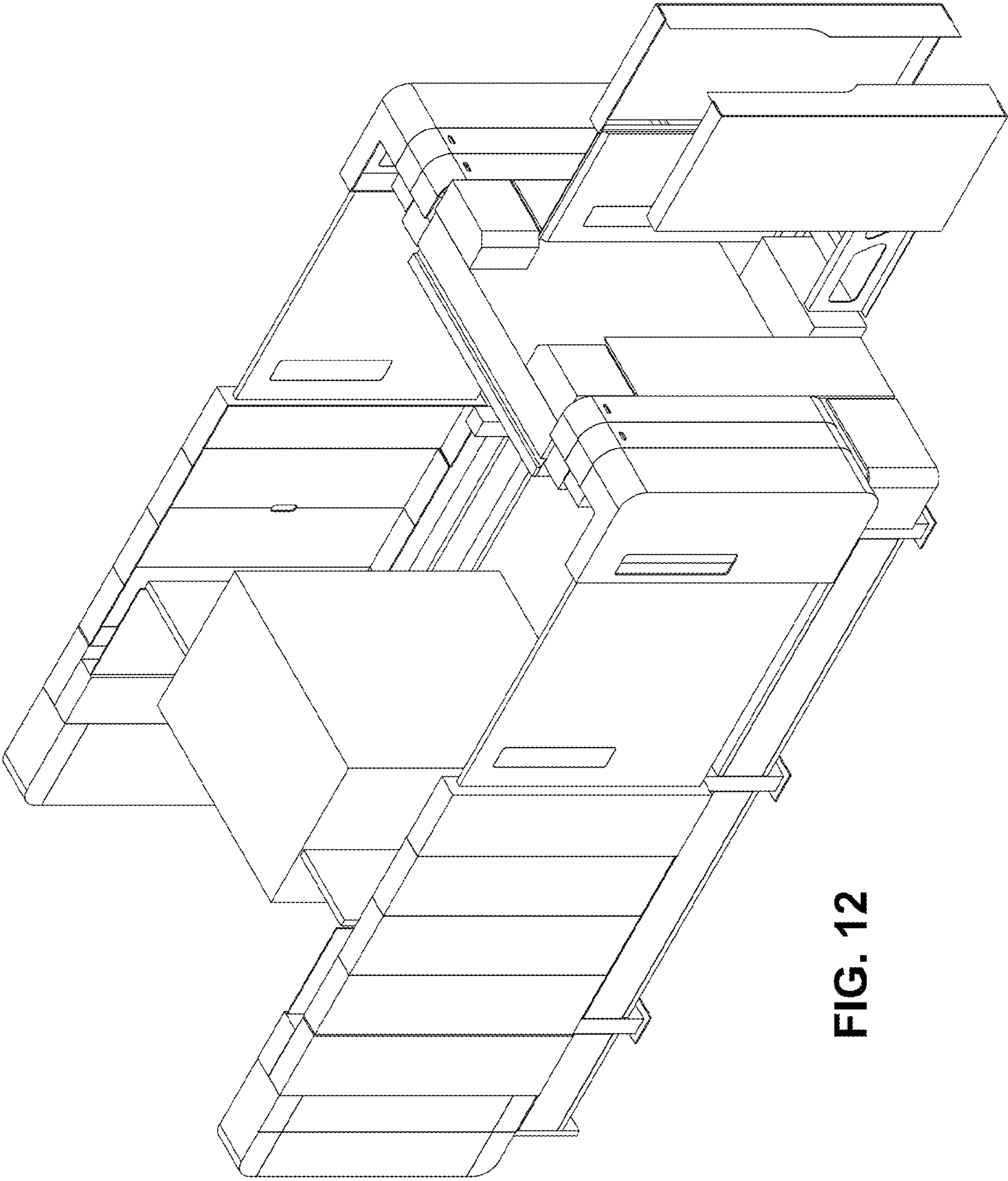


FIG. 12

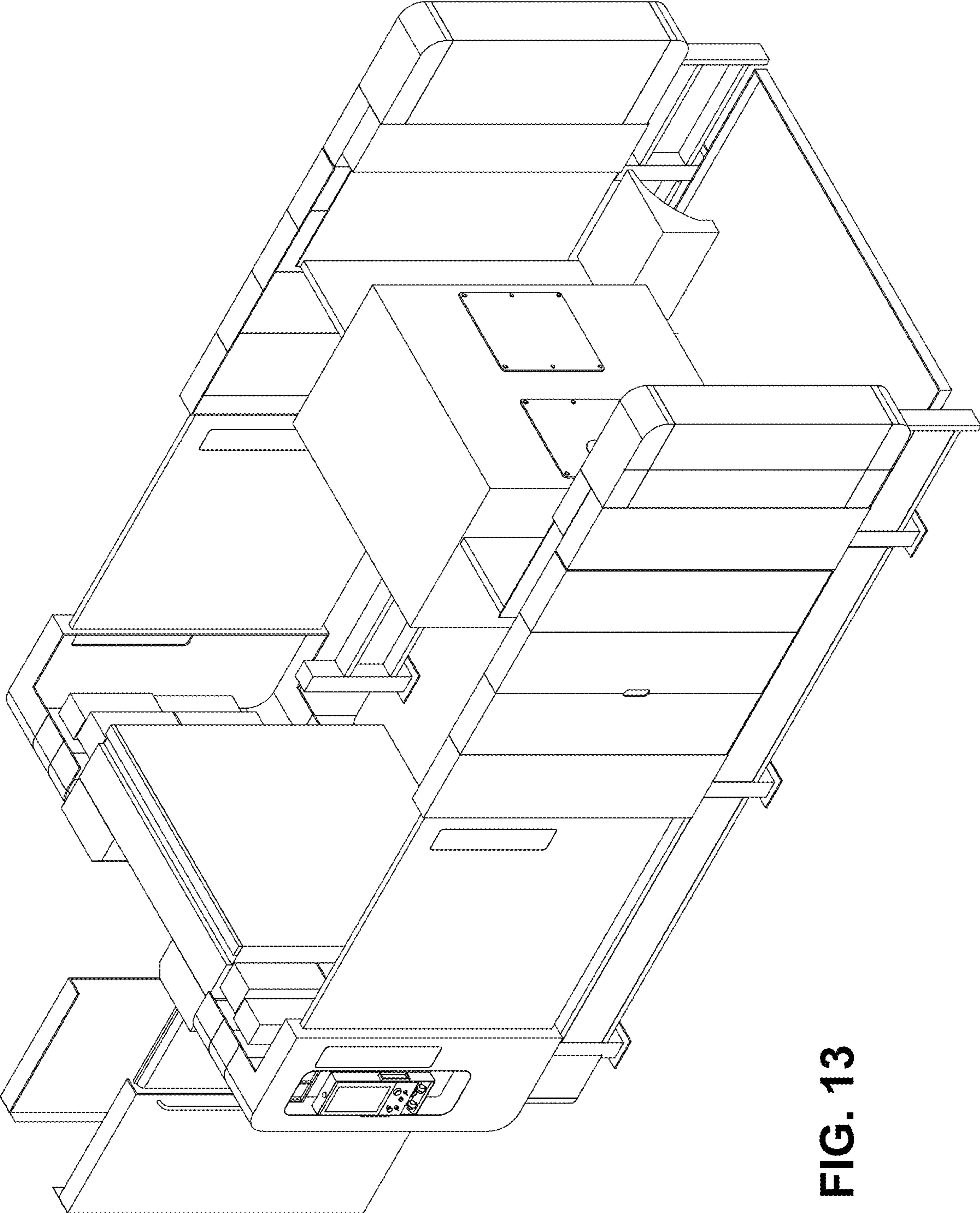


FIG. 13



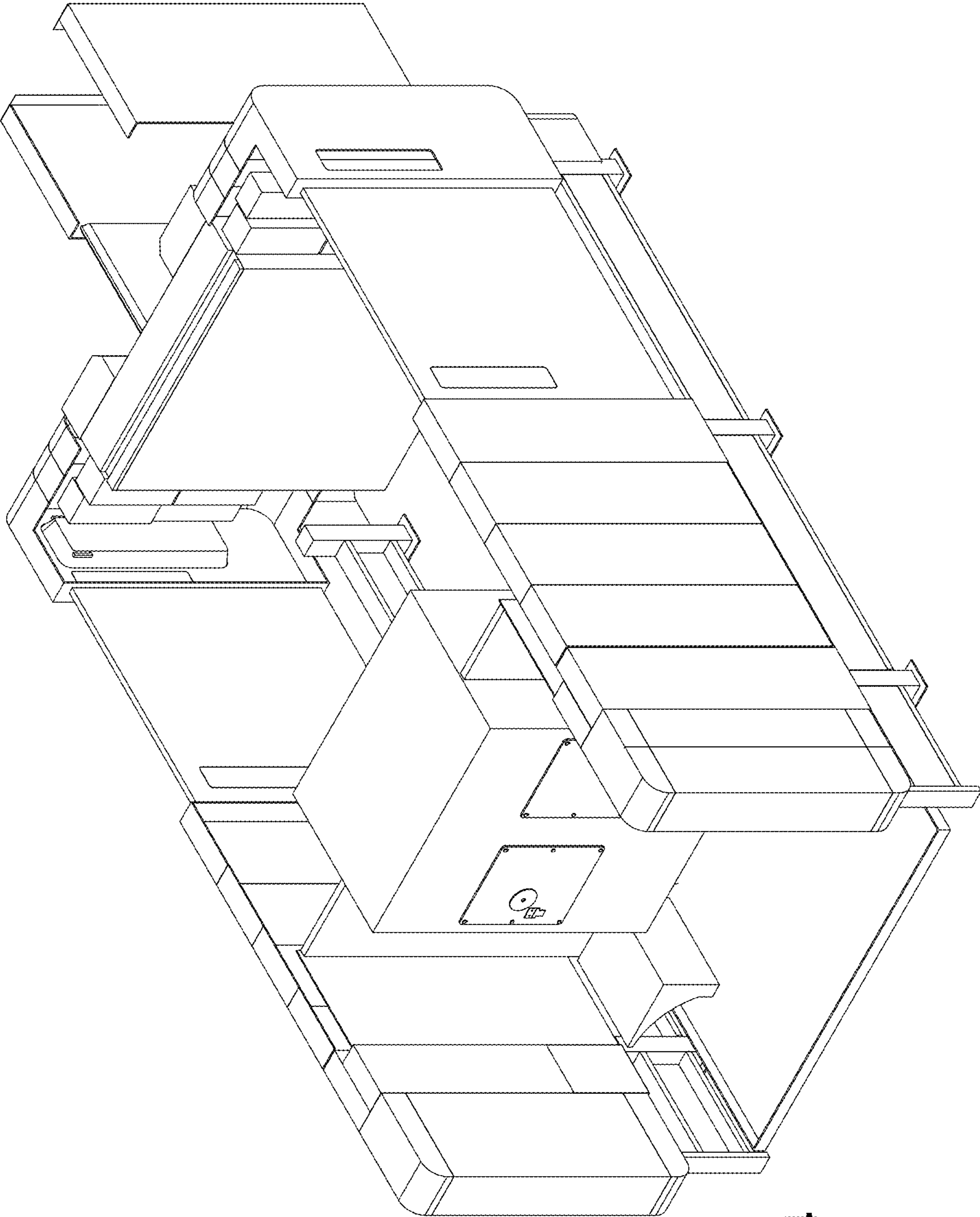


FIG. 14

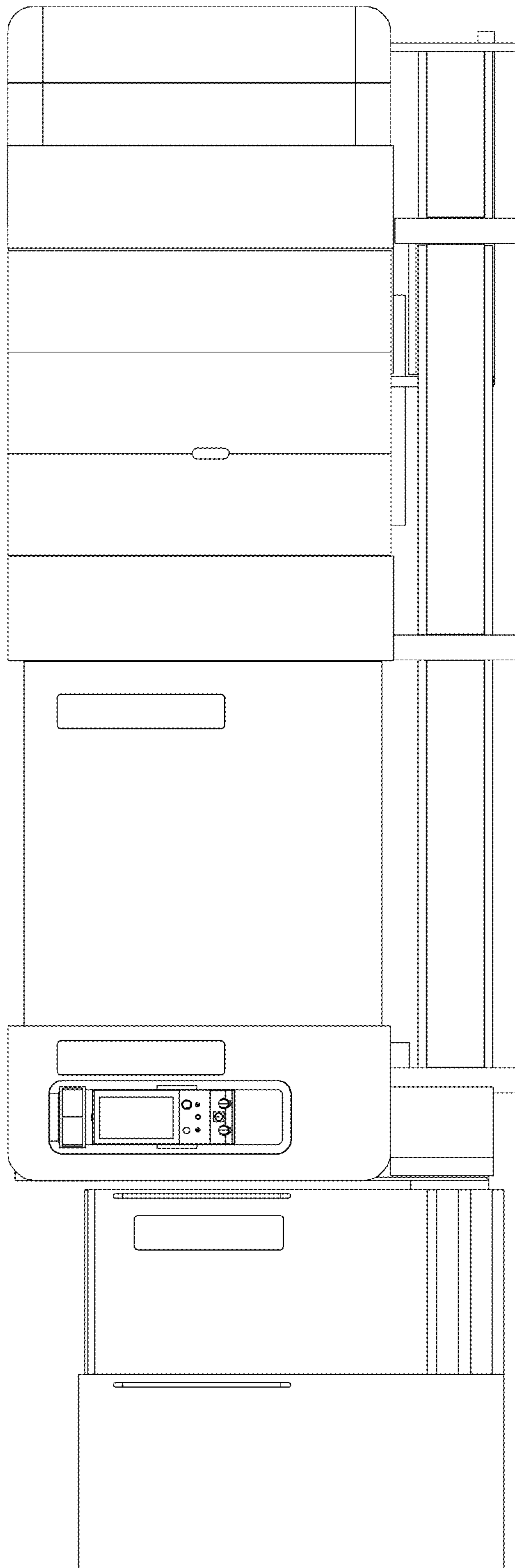


FIG. 15

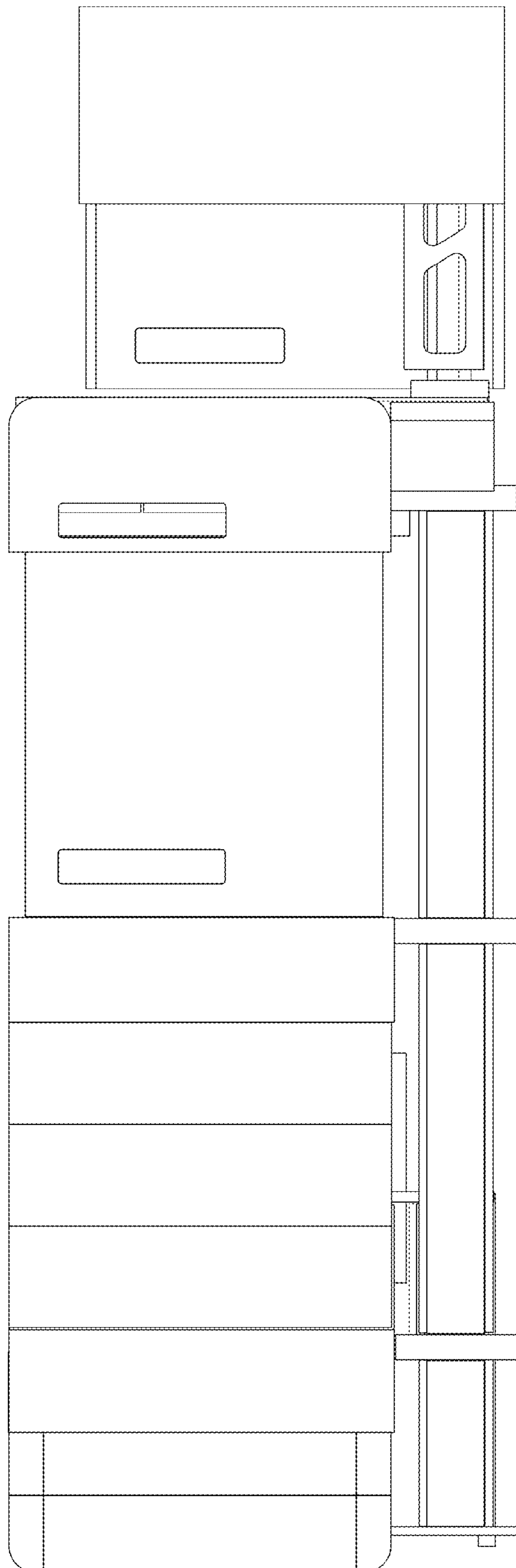


FIG. 16



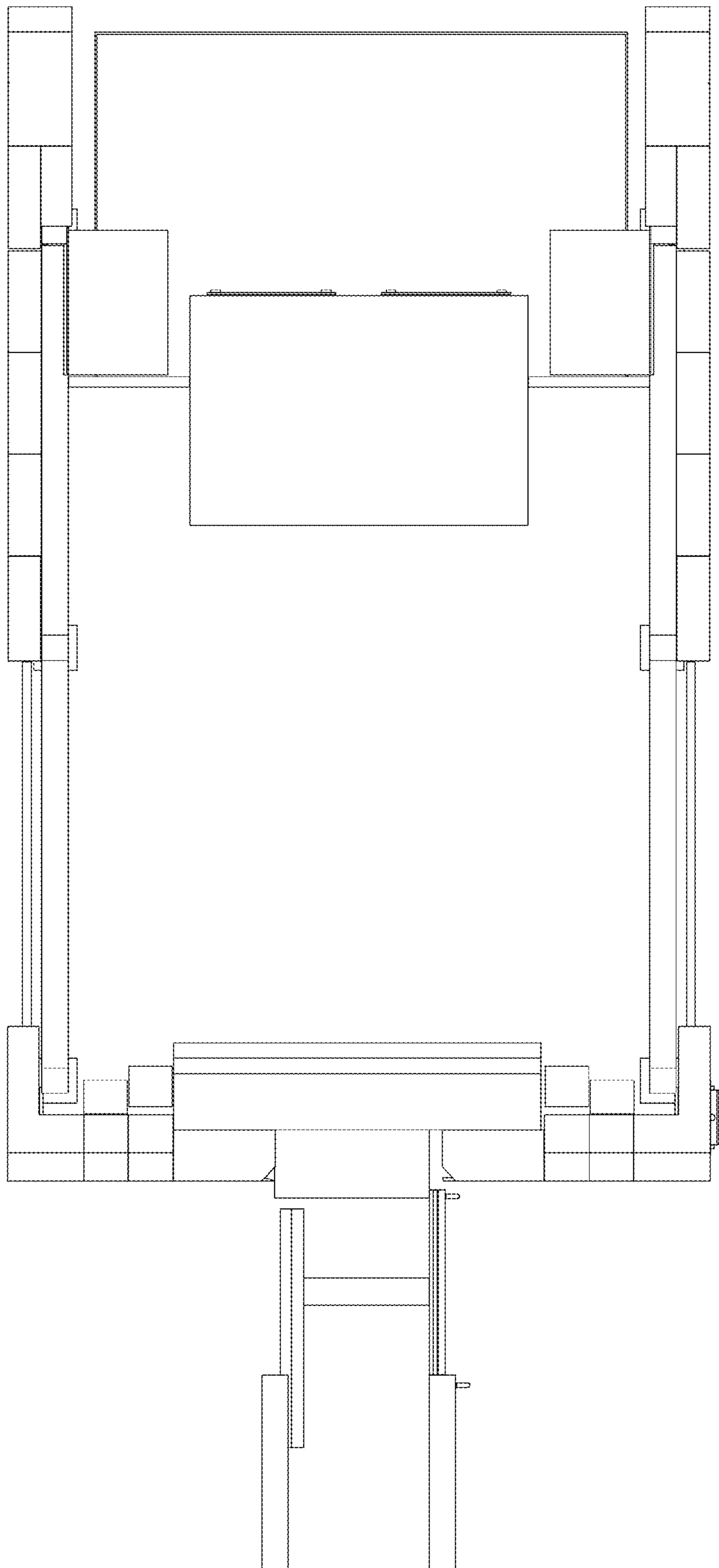


FIG. 17

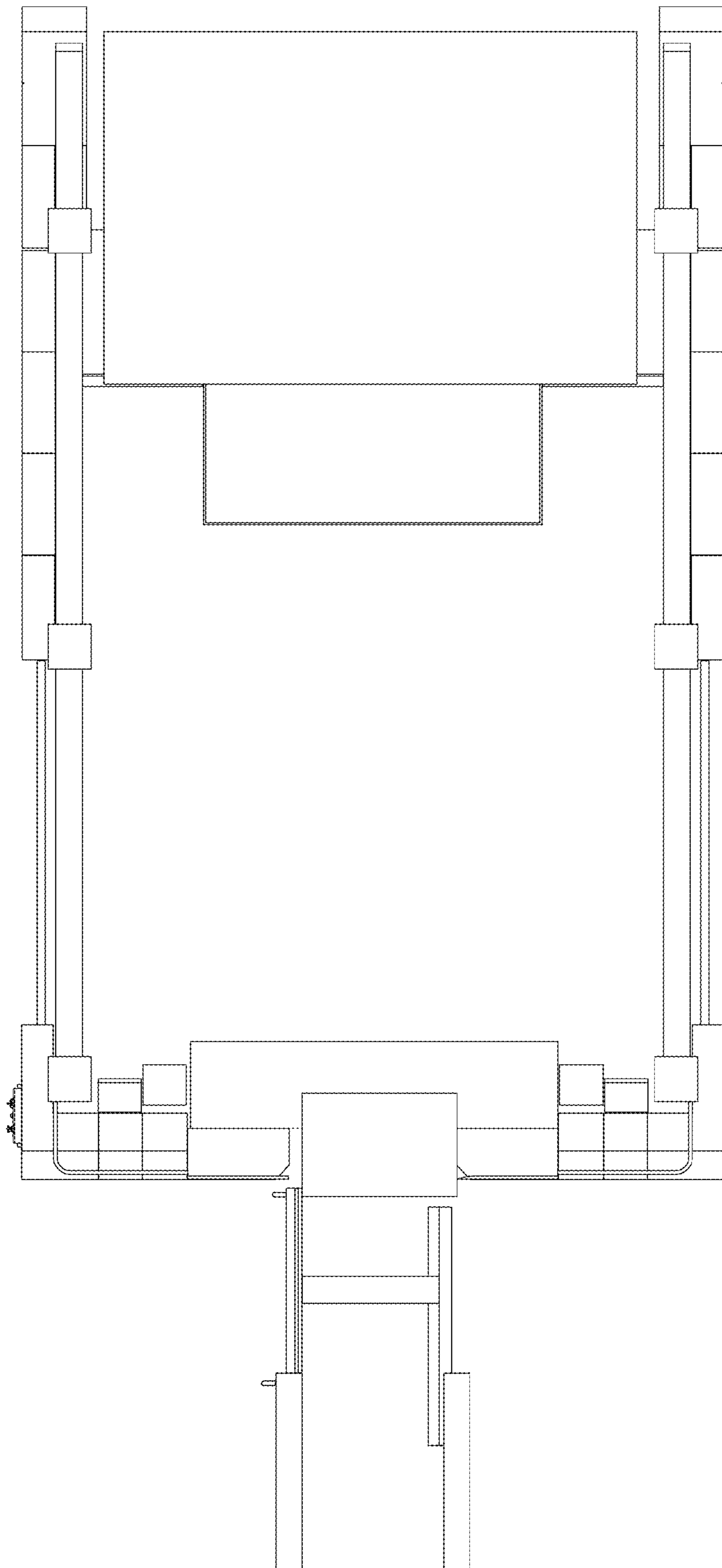


FIG. 18

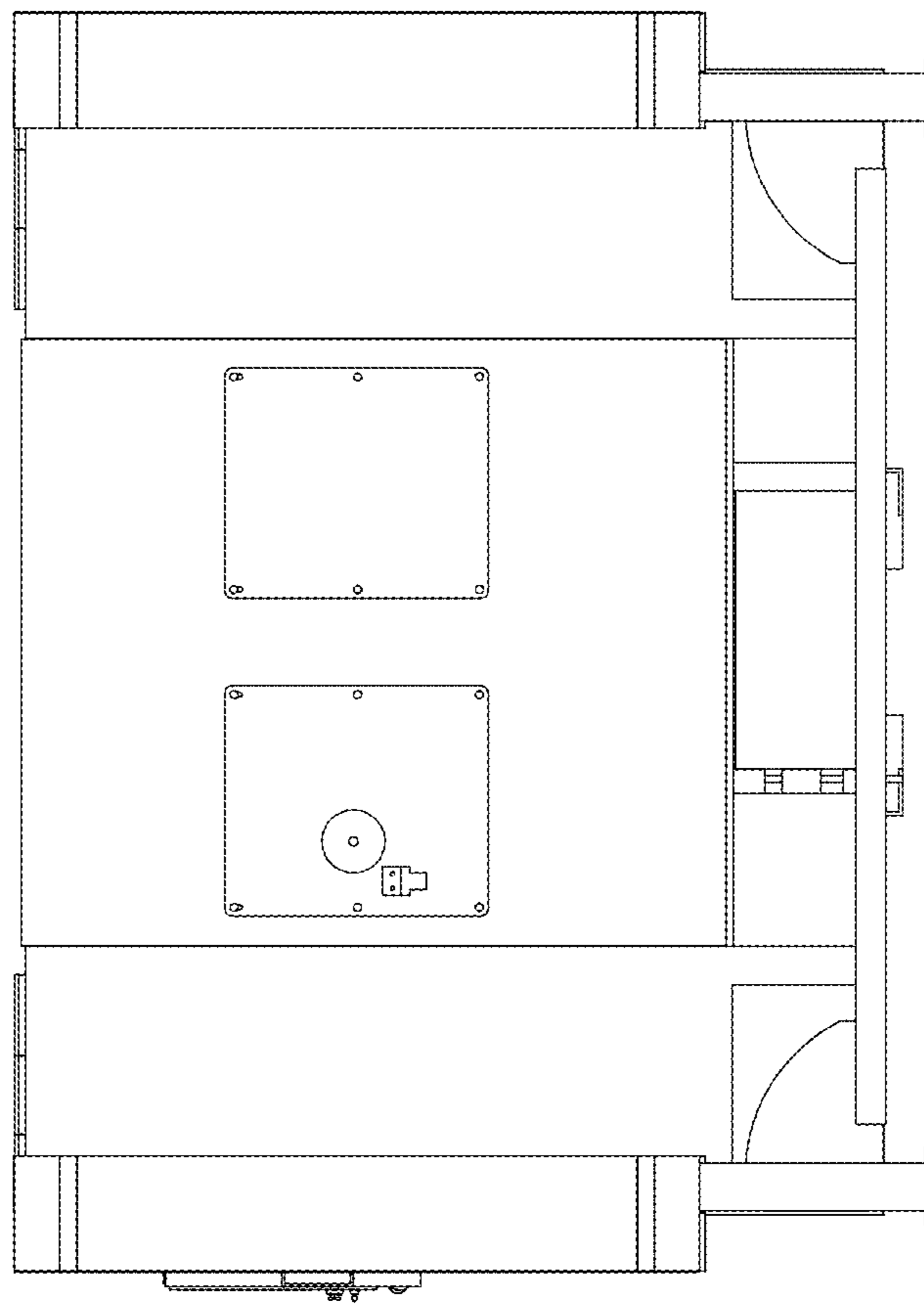


FIG. 20

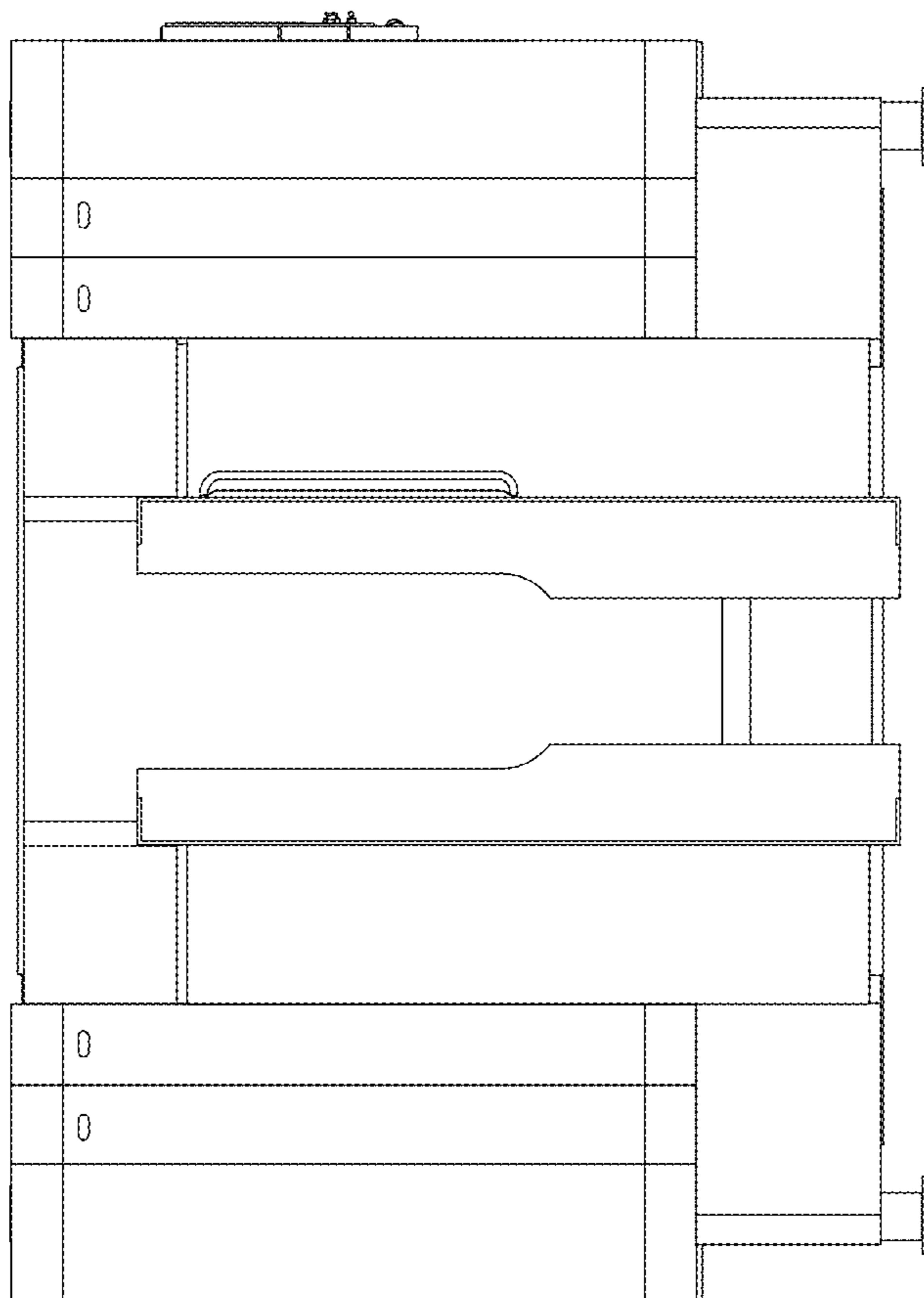


FIG. 19