



US00D947902S

(12) **United States Design Patent** (10) **Patent No.:** **US D947,902 S**
Tu (45) **Date of Patent:** **** Apr. 5, 2022**

(54) **SUBMERSIBLE PUMP**

(71) Applicant: **Zhushi Tu**, Hubei (CN)

(72) Inventor: **Zhushi Tu**, Hubei (CN)

(**) Term: **15 Years**

(21) Appl. No.: **29/751,444**

(22) Filed: **Sep. 22, 2020**

(30) **Foreign Application Priority Data**

Apr. 22, 2020 (CN) 202030168977.0

(51) **LOC (13) Cl.** **15-02**

(52) **U.S. Cl.**
USPC **D15/7**

(58) **Field of Classification Search**
USPC D23/210; D15/7-9, 199
CPC F04D 15/0088; F04D 15/0066; F04D 15/0245; F04D 3/00; F04D 3/005; F04D 3/02; F04D 13/06; F04D 29/041; F04D 29/22; F04D 29/60; F04D 29/605; F04B 2203/0208; F04B 17/03; F04B 17/046; F04B 17/048; F04B 35/04; F04B 43/04; F04B 43/043

See application file for complete search history.

(56) **References Cited**

U.S. PATENT DOCUMENTS

D211,913 S *	8/1968	Levin	D15/8
D214,962 S *	8/1969	Levin	D15/8
D339,143 S *	9/1993	Whitley, II	D15/7
D395,317 S *	6/1998	Karlsson	D15/7
D404,400 S *	1/1999	Wang	D15/7
D435,562 S *	12/2000	Clivio	D15/7
D498,481 S *	11/2004	Wang	D15/8
D507,579 S *	7/2005	Rossman	D15/7
D511,530 S *	11/2005	Wang	D15/7
D649,164 S *	11/2011	Cook	D15/7

D807,484 S *	1/2018	Sevy	D23/366
D870,154 S *	12/2019	Huang	D15/7
10,989,198 B1 *	4/2021	Lin	F04D 29/445
D923,058 S *	6/2021	Liu	D15/7
2007/0048157 A1 *	3/2007	Collins	F04D 15/0218 417/423.3

(Continued)

OTHER PUBLICATIONS

FLEXTAILGEAR, Tiny Pump Portable Air Pump, (First available May 21, 2020), Amazon.com, URL:<<https://www.amazon.com/FLEXTAILGEAR-Portable-Ultra-Mini-Rechargeable-Mattress/dp/B088ZLWXBC>> (Year: 2020).*

(Continued)

Primary Examiner — Calvin E Vansant

Assistant Examiner — Mark T. Philipps

(57) **CLAIM**

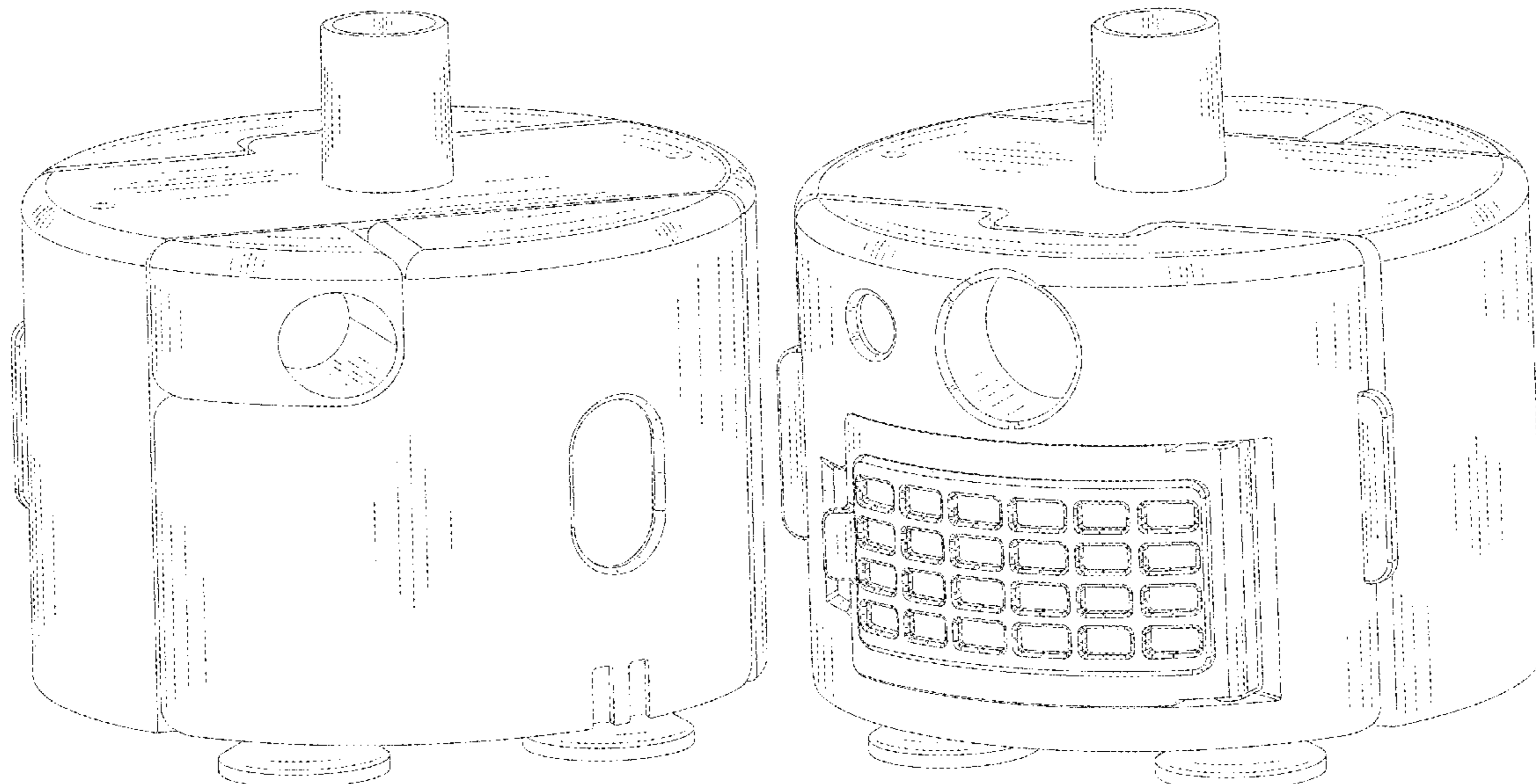
The ornamental design for a submersible pump, as shown and described.

DESCRIPTION

FIG. 1 is a front elevational view of a submersible pump showing my new design;
FIG. 2 is a rear elevational view thereof;
FIG. 3 is a left side view thereof;
FIG. 4 is a right side view thereof;
FIG. 5 is a top plan view thereof;
FIG. 6 is a bottom plan view thereof;
FIG. 7 is a top, front and left side perspective view thereof;
FIG. 8 is a top, rear and left side perspective view thereof;
and,
FIG. 9 is a bottom, rear and right side perspective view thereof.

The broken lines in the drawings illustrate portions of the submersible pump which form no part of the claimed design.

1 Claim, 9 Drawing Sheets



(56)

References Cited

U.S. PATENT DOCUMENTS

2019/0048875 A1* 2/2019 Mayleben F04D 29/4293

OTHER PUBLICATIONS

Upettools, Submersible Water Pump, Ultra Silence Circulation Multifunctional Water Pump, (first available Aug. 1, 2018) Amazon.com, URL:<<https://www.amazon.com/Upettools-Submersible-Circulation-Multifunctional-Hydroponics/dp/B07G3Z3NJK>> (Year: 2018).*

Rule, iL200 Marine 200 GPH Inline Submersible Pump, (first available Mar. 10, 2007), Amazon.com, URL:<<https://www.amazon.com/Rule-Marine-Submersible-12-Volt-Intermittent/dp/B000O892R0>> (Year: 2007).*

Pondmaster, Pondmaster SP-800—725 GPH Magnetic Drive Submersible Fountain Pump, (sire visited Nov. 24, 2021), Waterpumpsdirect.com website, URL:<<https://www.waterpumpsdirect.com/Pondmaster-1737-Water-Pump/p76566.html>> (Year: 2021).*

* cited by examiner

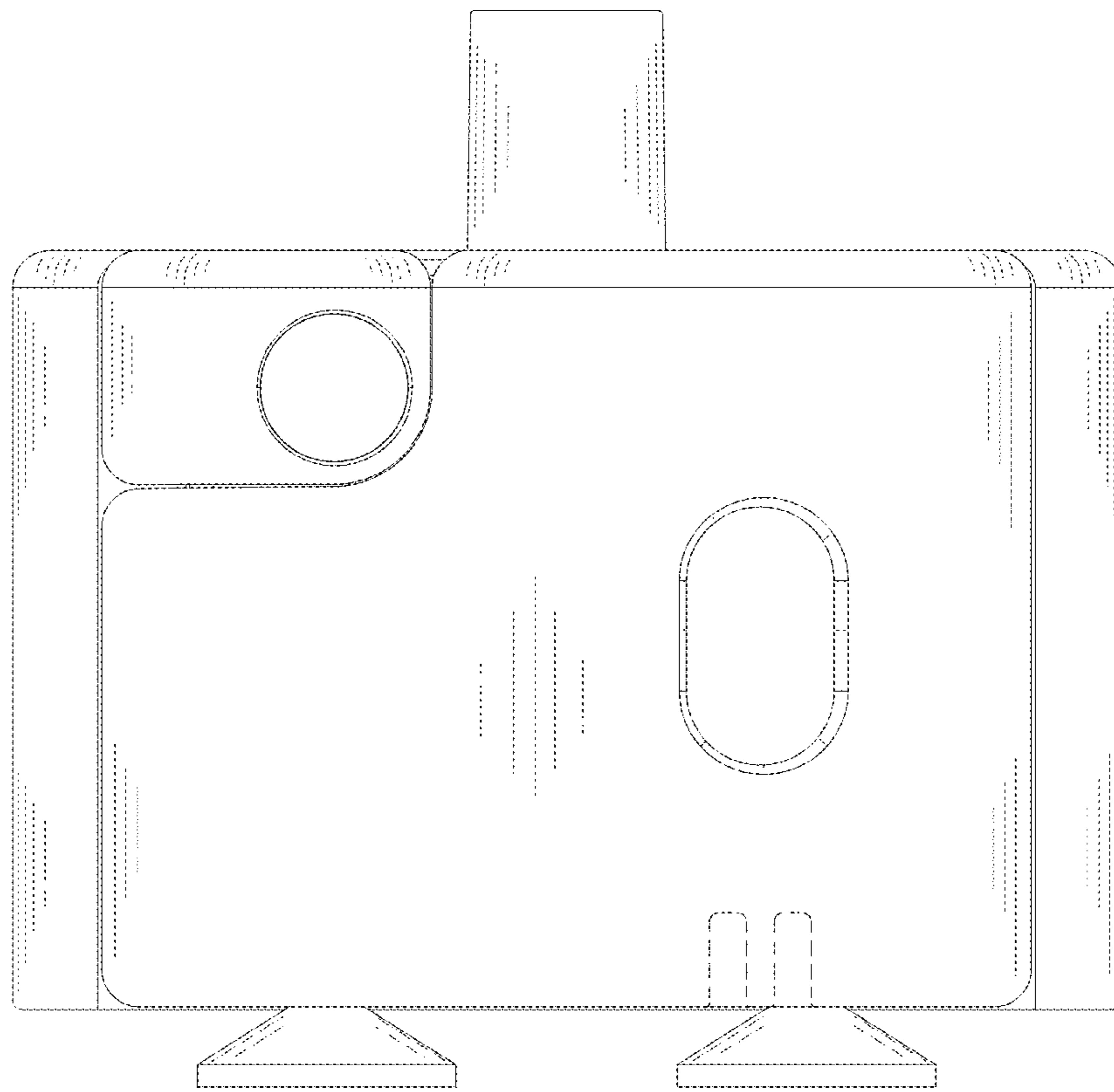


Fig.1

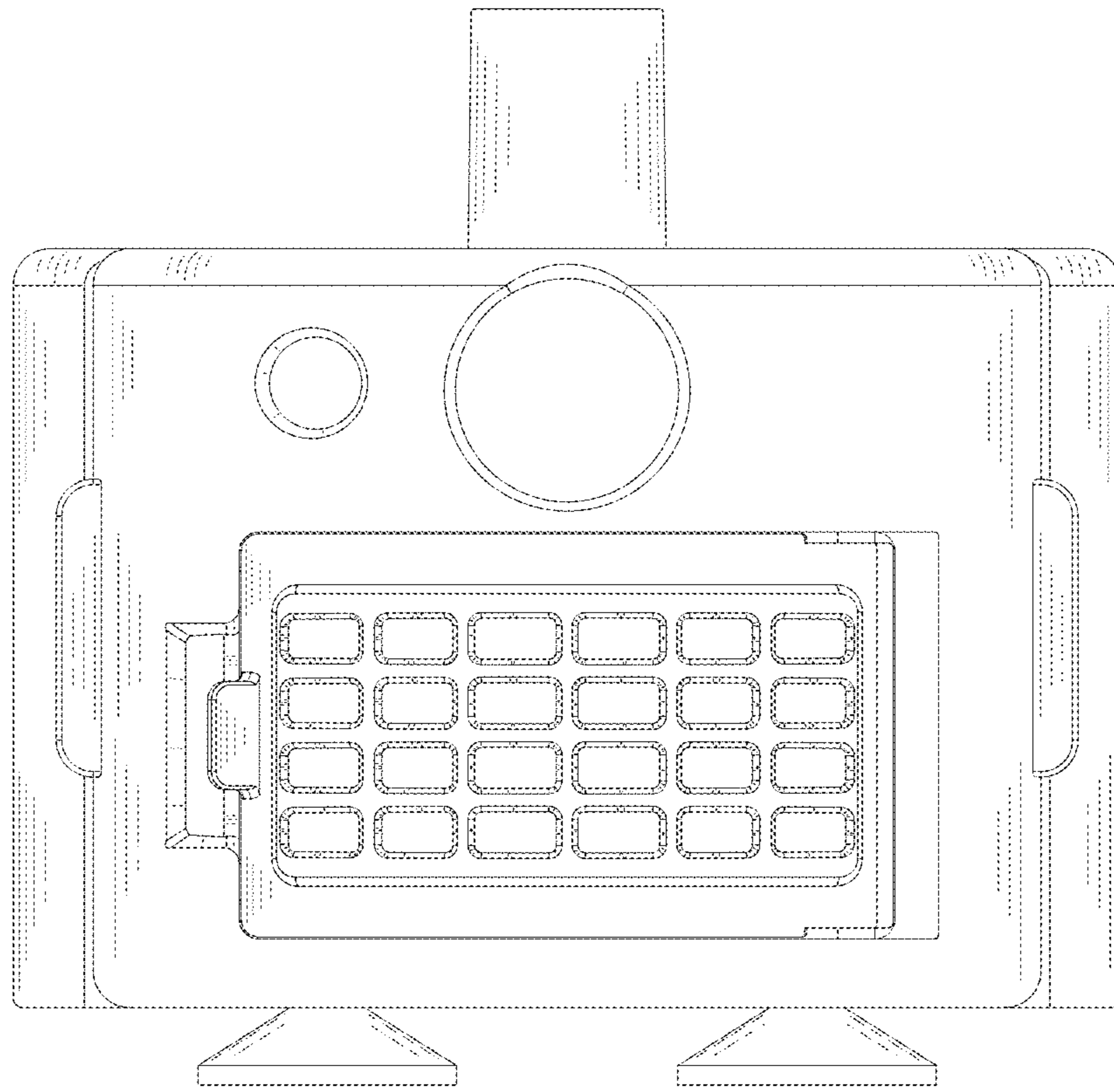


Fig.2

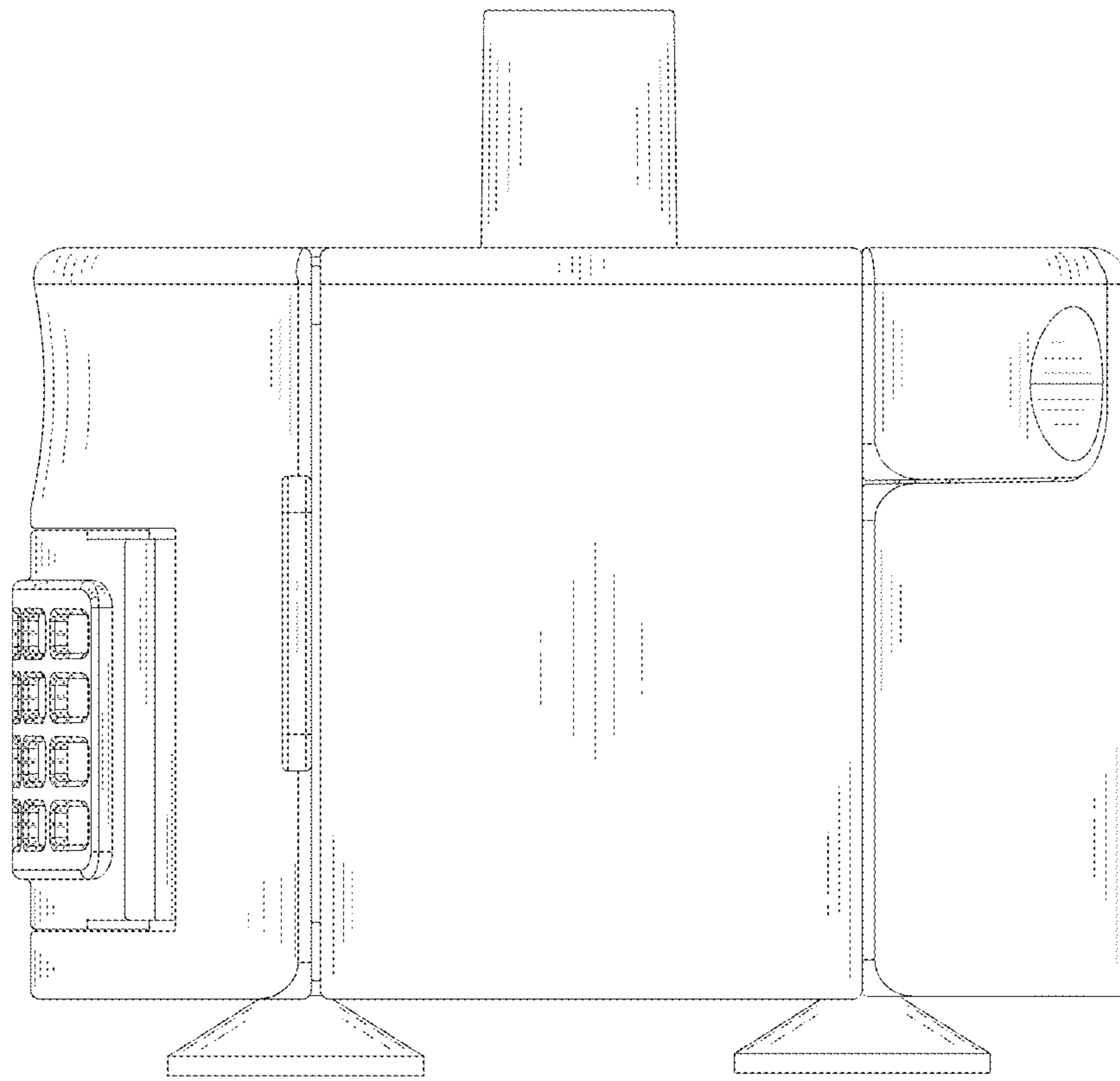


Fig.3

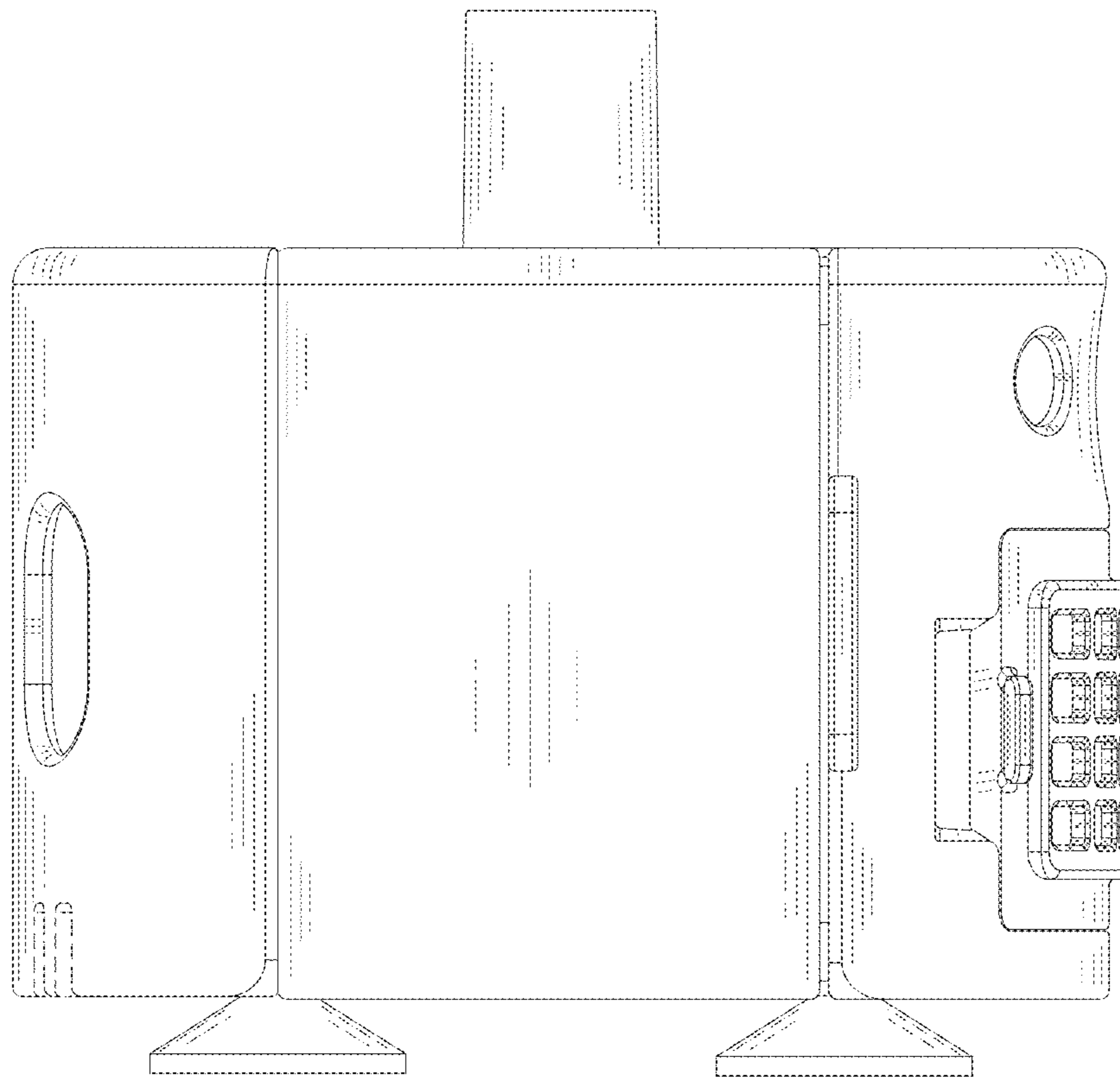


Fig.4

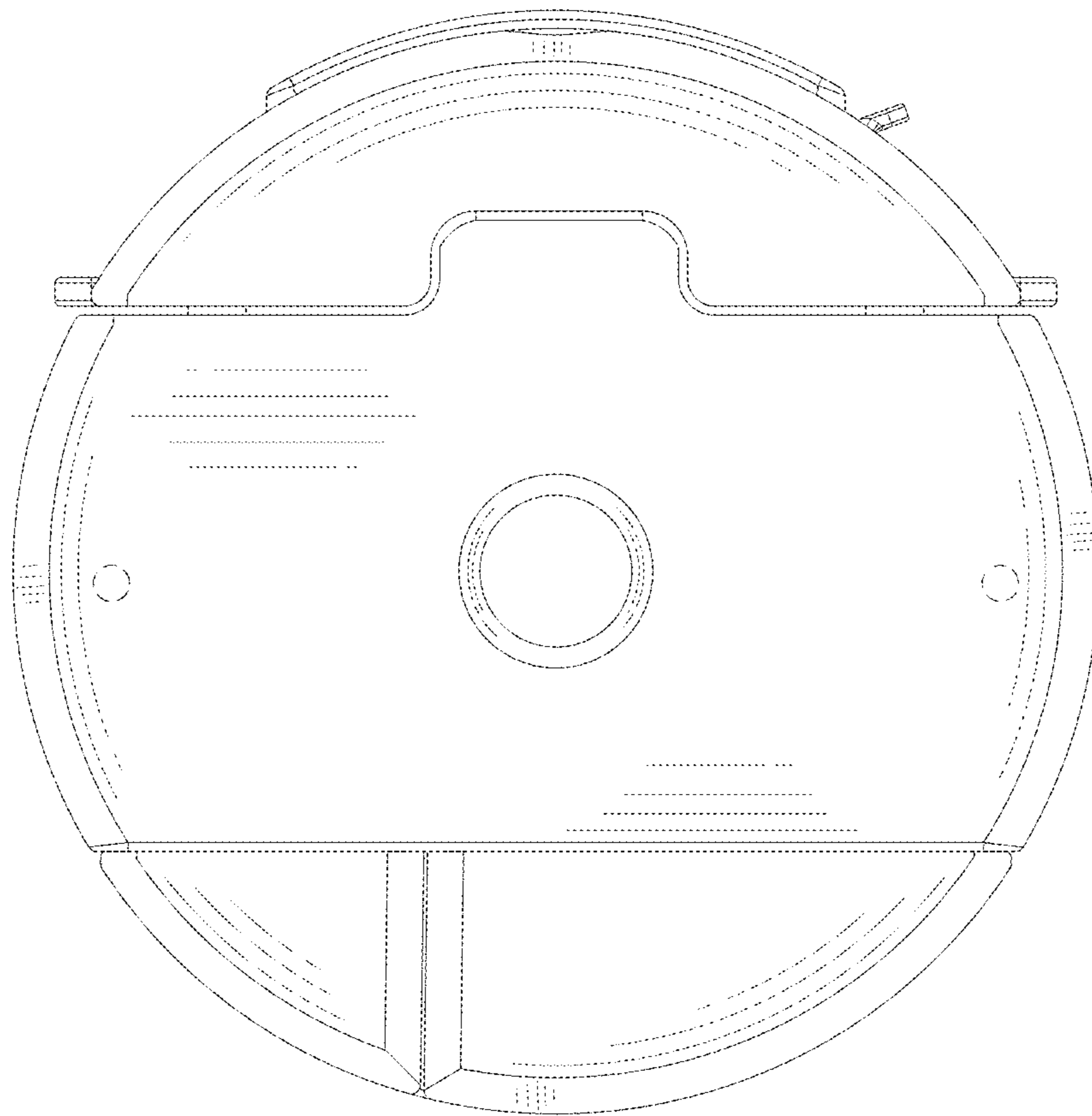


Fig.5

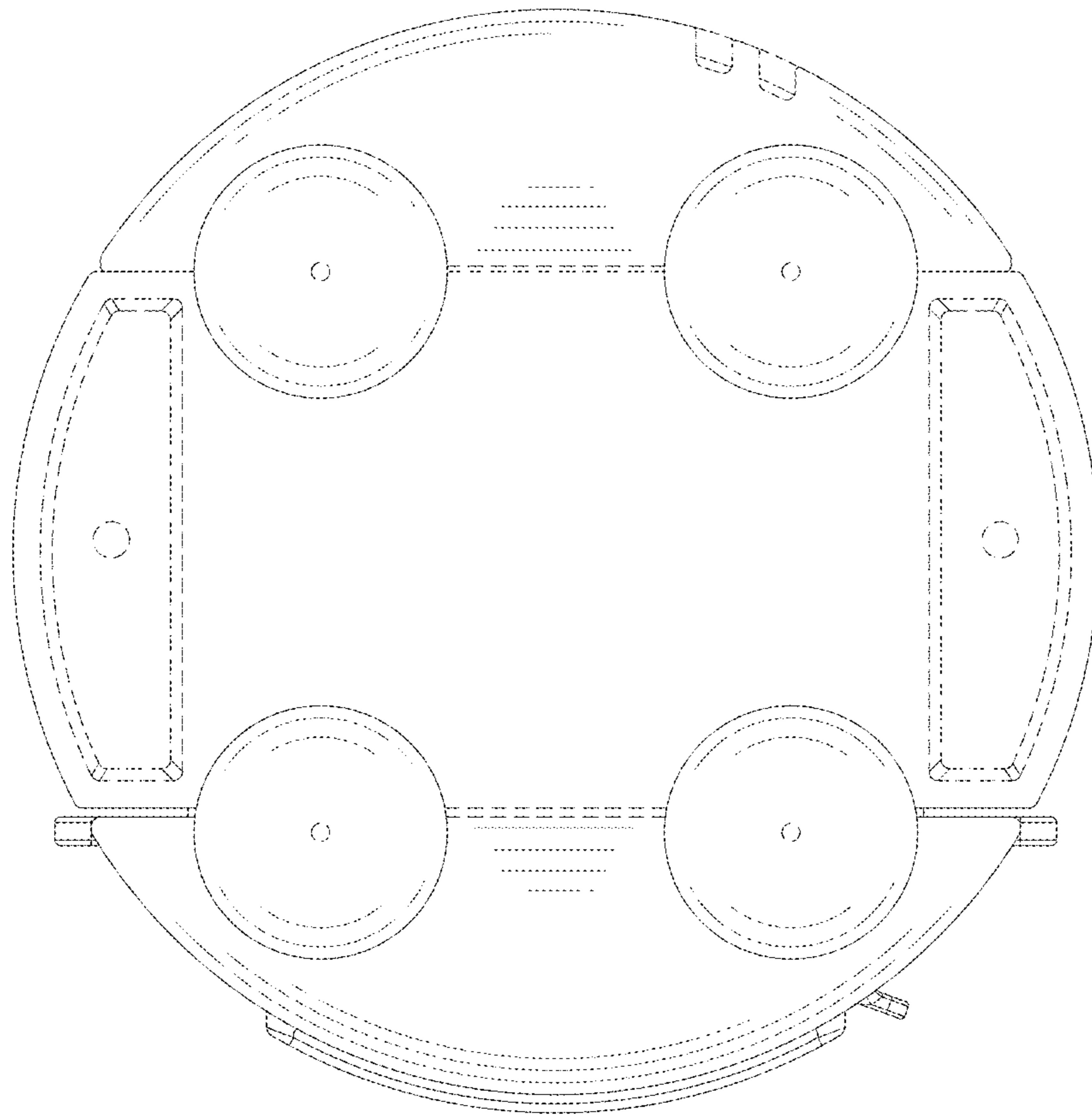


Fig.6

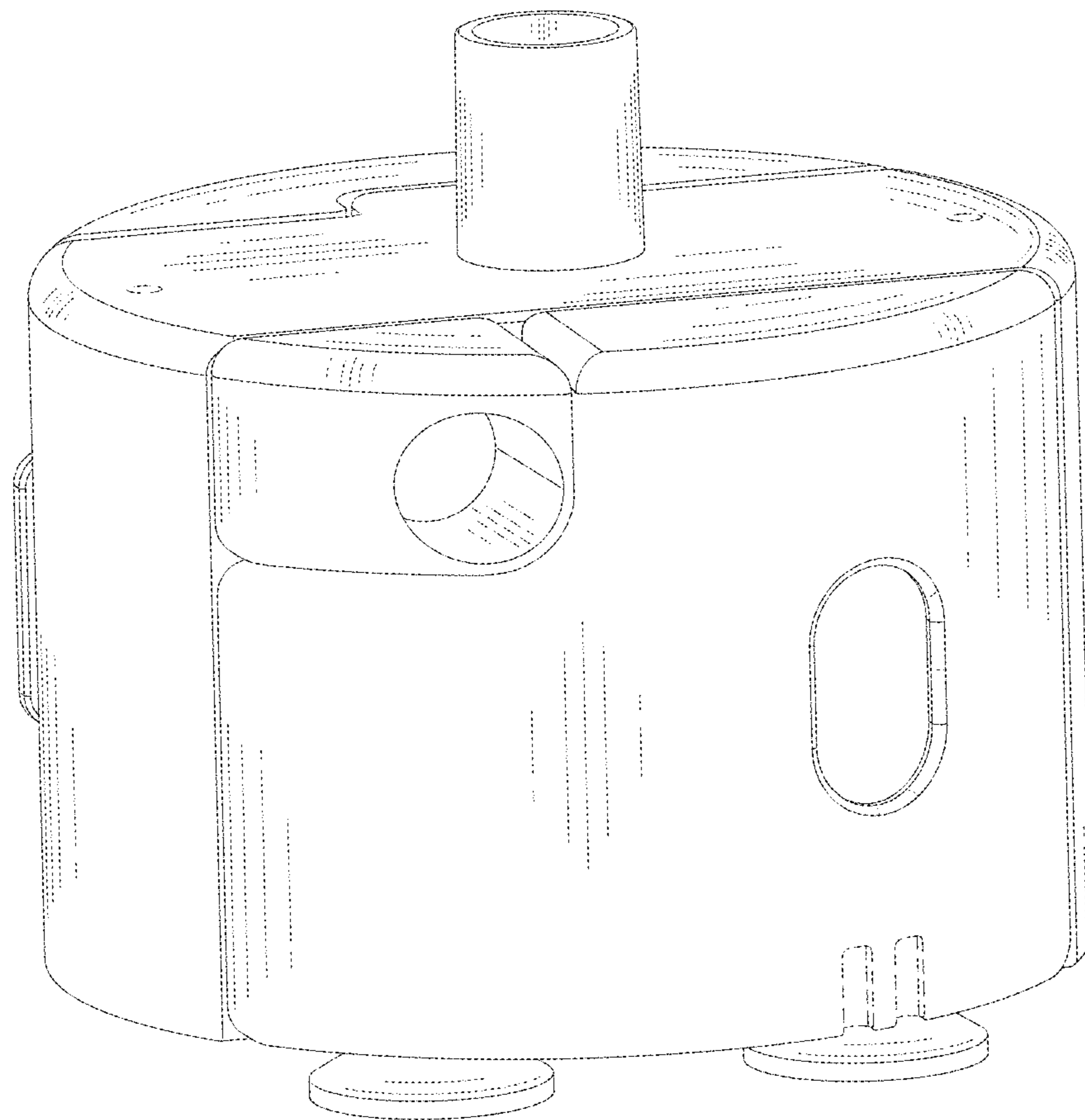


Fig.7

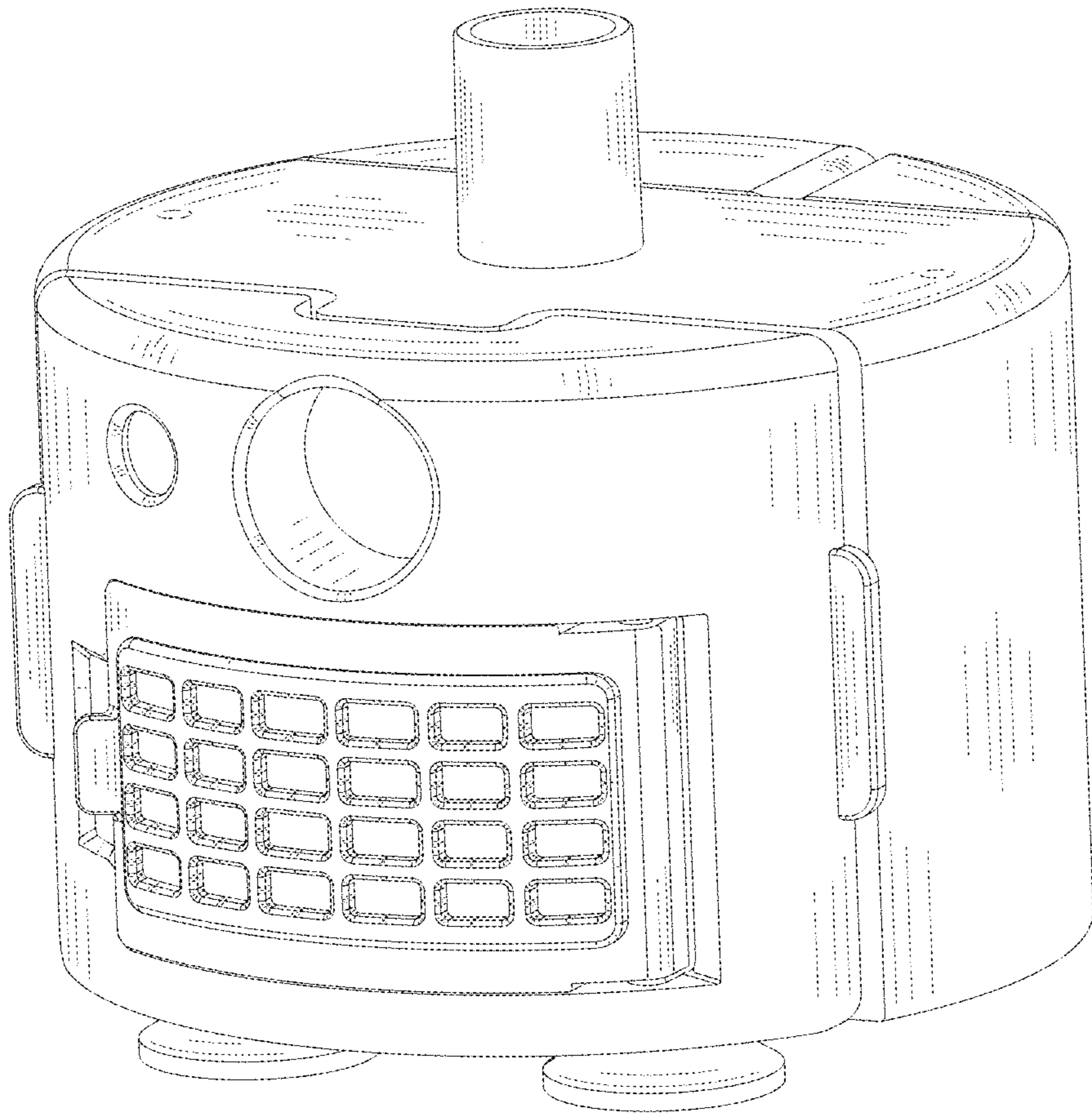


Fig.8

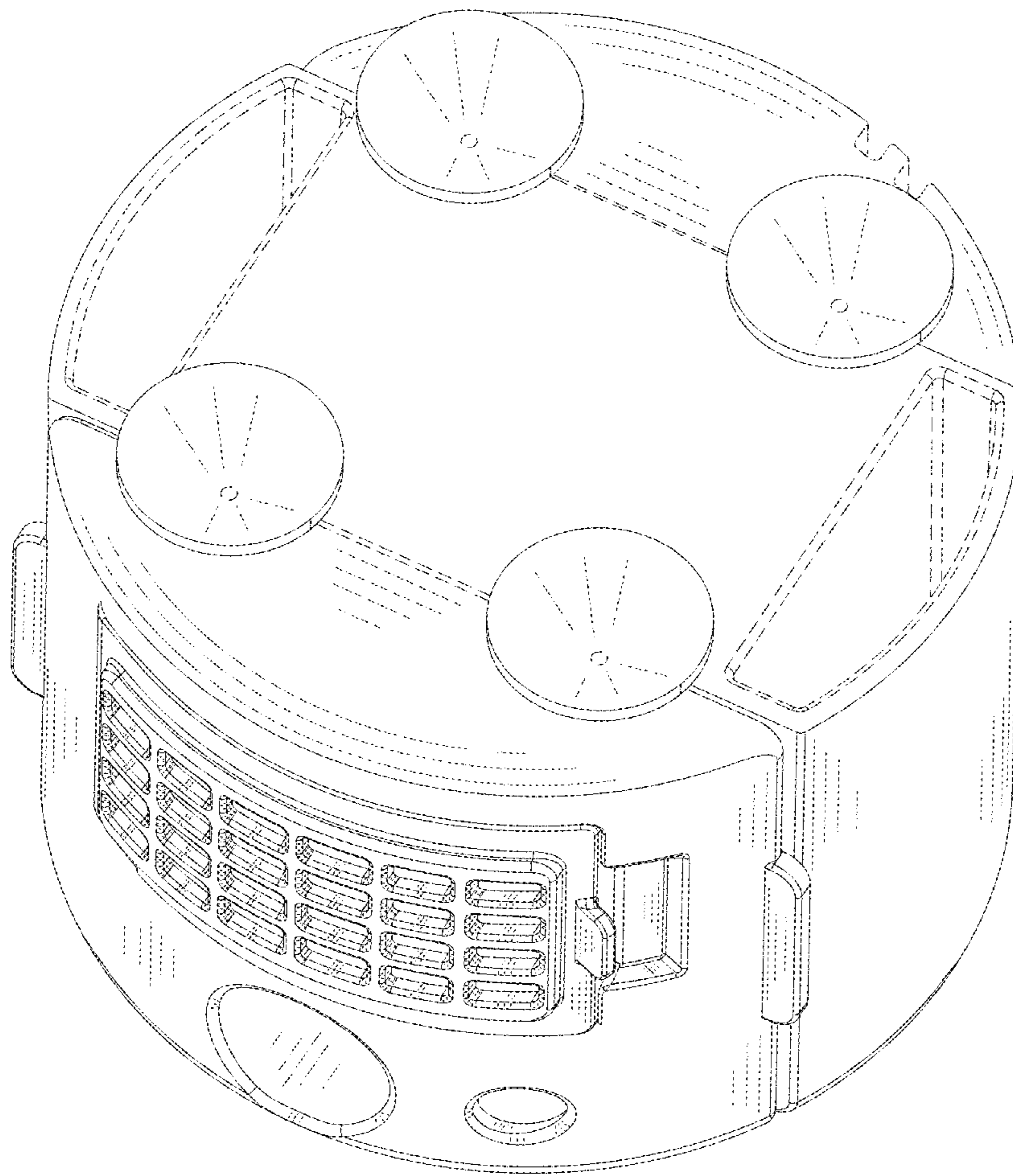


Fig.9