



US00D947873S

(12) **United States Design Patent** (10) **Patent No.:** **US D947,873 S**  
**Bin et al.** (45) **Date of Patent:** **\*\* Apr. 5, 2022**

(54) **DISPLAY SCREEN OR PORTION THEREOF WITH A GRAPHICAL USER INTERFACE**

(71) Applicant: **Eoflow Co., Ltd.**, Seongnam-si (KR)

(72) Inventors: **In Wook Bin**, Suwon-si (KR); **Moon Bo Kim**, Yongin-si (KR)

(73) Assignee: **EOFLOW CO., LTD.**, Seongnam-shi (KR)

(\*\*) Term: **15 Years**

(21) Appl. No.: **35/510,197**

(22) Filed: **Feb. 27, 2020**

(80) **Hague Agreement Data**

Int. Filing Date: **Feb. 27, 2020**  
 Int. Reg. No.: **DM/207976**  
 Int. Reg. Date: **Feb. 27, 2020**  
 Int. Reg. Pub. Date: **Aug. 28, 2020**

(30) **Foreign Application Priority Data**

Aug. 29, 2019 (KR) ..... 30-2019-0041486

(51) **LOC (13) Cl.** ..... **14-04**

(52) **U.S. Cl.**  
USPC ..... **D14/485**

(58) **Field of Classification Search**  
USPC ..... D14/485–495  
CPC .. H04N 1/00424; G06F 3/0484; G05B 19/418  
See application file for complete search history.

(56) **References Cited**

**U.S. PATENT DOCUMENTS**

D652,048 S \* 1/2012 Joseph ..... D14/485  
 D753,134 S \* 4/2016 Vazquez ..... D14/485  
 9,467,745 B1 \* 10/2016 Hotchkiss ..... H04N 21/4307  
 D778,927 S \* 2/2017 Bertnick ..... A61B 5/742  
 D14/485

D778,928 S \* 2/2017 Bertnick ..... A61B 5/7435  
 D14/485  
 D820,283 S \* 6/2018 Cabrera, Jr. .... A61B 5/742  
 D14/485  
 D834,587 S \* 11/2018 Torchin ..... G06F 3/0488  
 D14/485  
 D861,709 S \* 10/2019 Kim ..... D14/485  
 D879,796 S \* 3/2020 Hung ..... D14/485  
 D899,437 S \* 10/2020 Carbonell ..... D14/485  
 D911,356 S \* 2/2021 Varghese ..... D14/485  
 D926,799 S \* 8/2021 Gehring ..... D14/486  
 D926,803 S \* 8/2021 Lee ..... D14/486

(Continued)

**OTHER PUBLICATIONS**

Mbradford. "Pumping Day 1.JPG." Wikipedia, published Nov. 21, 2006 (Retrieved from the Internet Aug. 18, 2021). Internet URL: <[https://en.wikipedia.org/wiki/File:Pumping\\_day\\_1.JPG](https://en.wikipedia.org/wiki/File:Pumping_day_1.JPG)> (Year: 2006).\*

(Continued)

*Primary Examiner* — Rachel A. Voorhies  
(74) *Attorney, Agent, or Firm* — Knobbe, Martens, Olson & Bear, LLP

(57) **CLAIM**

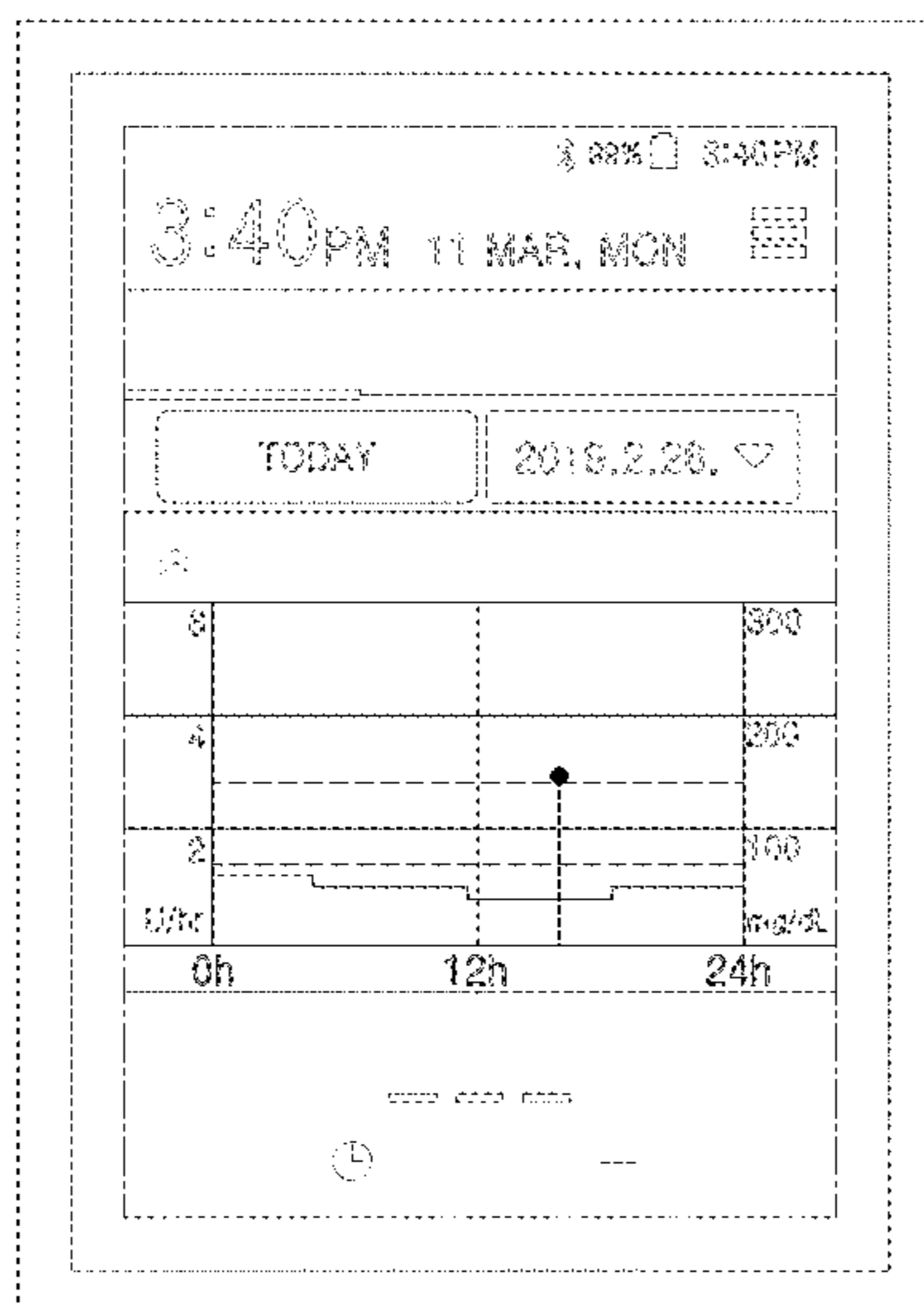
The ornamental design for a display screen or a portion thereof with a graphical user interface, as shown and described.

**DESCRIPTION**

**1.0** : The FIGURE is a front view of a display screen or portion thereof with a graphical user interface, showing our new design.

The outer perimeter, illustrated in the figures by a pair of broken lines, illustrates a display screen or portion thereof and forms no part of the claimed design. The remaining broken lines in the drawings illustrate portions of the graphical user interface that form no part of the claimed design. The dot-dash broken lines define boundaries of the claimed design and form no part thereof.

**1 Claim, 1 Drawing Sheet**



(56)

**References Cited**

U.S. PATENT DOCUMENTS

D927,509	S *	8/2021	Keegan	.....	D14/485
D933,099	S *	10/2021	Liebowitz	.....	D14/492
D934,884	S *	11/2021	Bergental	.....	D14/485
D934,891	S *	11/2021	Teague	.....	D14/486
D936,103	S *	11/2021	Lay	.....	D14/492
2011/0145120	A1 *	6/2011	Lee	.....	G06Q 10/0637 705/35
2011/0201911	A1 *	8/2011	Johnson	.....	G06F 3/0488 600/365
2014/0012510	A1 *	1/2014	Mensingher	.....	A61B 5/742 702/19
2016/0058336	A1 *	3/2016	Blahnik	.....	A61B 5/7435 600/595
2016/0113594	A1 *	4/2016	Koehler	.....	A61B 5/7405 600/365
2016/0119210	A1 *	4/2016	Koehler	.....	A61B 5/742 370/245

OTHER PUBLICATIONS

EOPatch. "Life with EOPatch." YouTube, published Sep. 4, 2016 (Retrieved from the Internet Aug. 18, 2021). Internet URL: <<https://www.youtube.com/watch?v=Apsk-pZpZyo&t=72s>> (Year: 2016).\*

The Digital Health Guy. "EOPatch, a tiny, wearable insulin pump backed by JDRE." TranscendIT Health, published Feb. 24, 2018 (Retrieved from the Internet Aug. 18, 2021). Internet URL: <<https://transcendit.health/jdrf-backs-eopatch/>> (Year: 2018).\*

\* cited by examiner

