



US00D947858S

(12) **United States Design Patent** (10) **Patent No.:** **US D947,858 S**
Zhang (45) **Date of Patent:** **** *Apr. 5, 2022**

(54) **DISPLAY MOUNT**

(71) Applicant: **Xi'an Yueting Chunfeng Technology Co., Ltd., Xi'an (CN)**

(72) Inventor: **Yuanming Zhang, Xi'an (CN)**

(*) Notice: This patent is subject to a terminal disclaimer.

(**) Term: **15 Years**

(21) Appl. No.: **29/748,074**

(22) Filed: **Aug. 27, 2020**

(51) **LOC (13) Cl.** **14-02**

(52) **U.S. Cl.**
USPC **D14/452**

(58) **Field of Classification Search**
USPC D14/239, 371, 372, 373, 374, 375, 376, D14/377, 447-452, 125, 127, 128, 129, D14/335-337, 341, 126; D8/355, 363, D8/373; D6/672, 682
CPC F16M 11/2085; F16M 11/2092; F16M 11/2007; F16M 11/2014; F16M 11/2021; F16M 11/105; F16M 11/048; F16M 11/12; F16M 13/022; F16M 11/10
See application file for complete search history.

(56) **References Cited**

U.S. PATENT DOCUMENTS

D494,978 S	8/2004	Pfister	
D538,632 S	3/2007	Ly Hau et al.	
10,066,785 B1 *	9/2018	Chen	F16M 11/2014
10,180,209 B2 *	1/2019	Bowman	F16M 11/24
D853,404 S *	7/2019	Bowman	D14/452
D854,861 S *	7/2019	Lee	D6/656
D877,745 S *	3/2020	Knapp	D14/452
D894,197 S *	8/2020	Knapp	D14/452
D895,635 S *	9/2020	Sitoh	D14/452
D901,514 S *	11/2020	Knapp	D14/452

D905,700 S *	12/2020	Lu	D14/452
2018/0344025 A1 *	12/2018	Corbo	F16M 13/022
2020/0170406 A1 *	6/2020	Knapp	F16M 11/26

(Continued)

FOREIGN PATENT DOCUMENTS

CN	302350954	*	3/2013
CN	304788674	*	8/2018
KR	300604139.0000	*	7/2011

OTHER PUBLICATIONS

Best Buy. Link: <https://www.bestbuy.com/site/mount-it-full-motion-dual-monitor-desk-mount-black/6368326.p?skuId=6368326>. Visited Apr. 8, 2021. Mount-It!—Full Motion Dual Monitor Desk Mount—Black. (Year: 2021).*

(Continued)

Primary Examiner — Lauren D McVey
(74) *Attorney, Agent, or Firm* — W&KIP

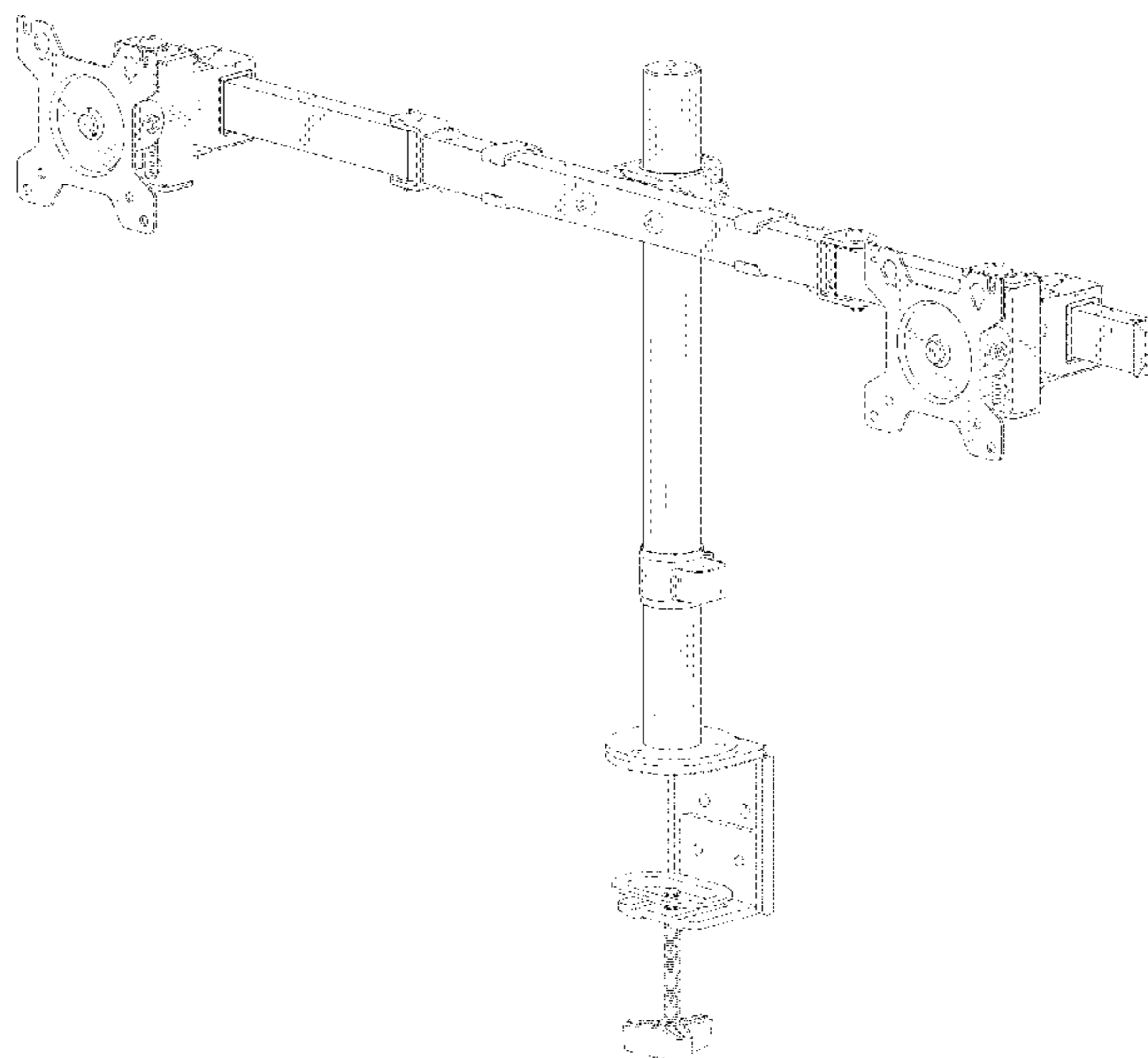
(57) **CLAIM**

The ornamental design for a display mount, as shown and described.

DESCRIPTION

FIG. 1 is a perspective view of a display mount showing my new design in a first state;
FIG. 2 is a perspective view of second state;
FIG. 3 is a perspective view of the display mount of FIG. 1 in an alternate environment;
FIG. 4 is a front view of FIG. 1 thereof;
FIG. 5 is a rear view thereof;
FIG. 6 is a left side view thereof;
FIG. 7 is a right side view thereof;
FIG. 8 is a top plan view thereof; and,
FIG. 9 is a bottom plan view thereof.
The broken lines immediately adjacent to the shaded areas depict the bounds of the claimed design, while all other broken lines are directed to environment. The broken lines form no part of the claimed design.

1 Claim, 9 Drawing Sheets



(56)

References Cited

U.S. PATENT DOCUMENTS

2020/0170407 A1* 6/2020 Knapp A47B 9/20
2020/0261294 A1* 8/2020 Lao F16M 11/2092

OTHER PUBLICATIONS

Walmart. Link: <https://www.walmart.com/ip/Mitaki-by-Maxam-ELMM-Steel-Dual-Desk-Monitor-Mount/369664573>. Visited Apr. 8, 2021. Mitaki by Maxam ELMM Steel Dual Desk Monitor Mount. (Year: 2021).*

Amazon. Link: https://www.amazon.com/dp/B08DJ5ZRRK/ref=cm_sw_em_r_mt_dp_9HBE7ER05PVKQXE37853?_encoding=UTF8&psc=1. Dec. 22, 2020. HUANUO Dual Monitor Stand. (Year: 2020).*

Amazon. Link: https://www.amazon.com/dp/B082MLVXRR/ref=cm_sw_em_r_mt_dp_0B68EQ317Y1N33AA3B5Q?_encoding=UTF8&psc=1. Jun. 1, 2020. ErGear 17-32" Dual Monitor Stand Mount (Year: 2020).*

* cited by examiner

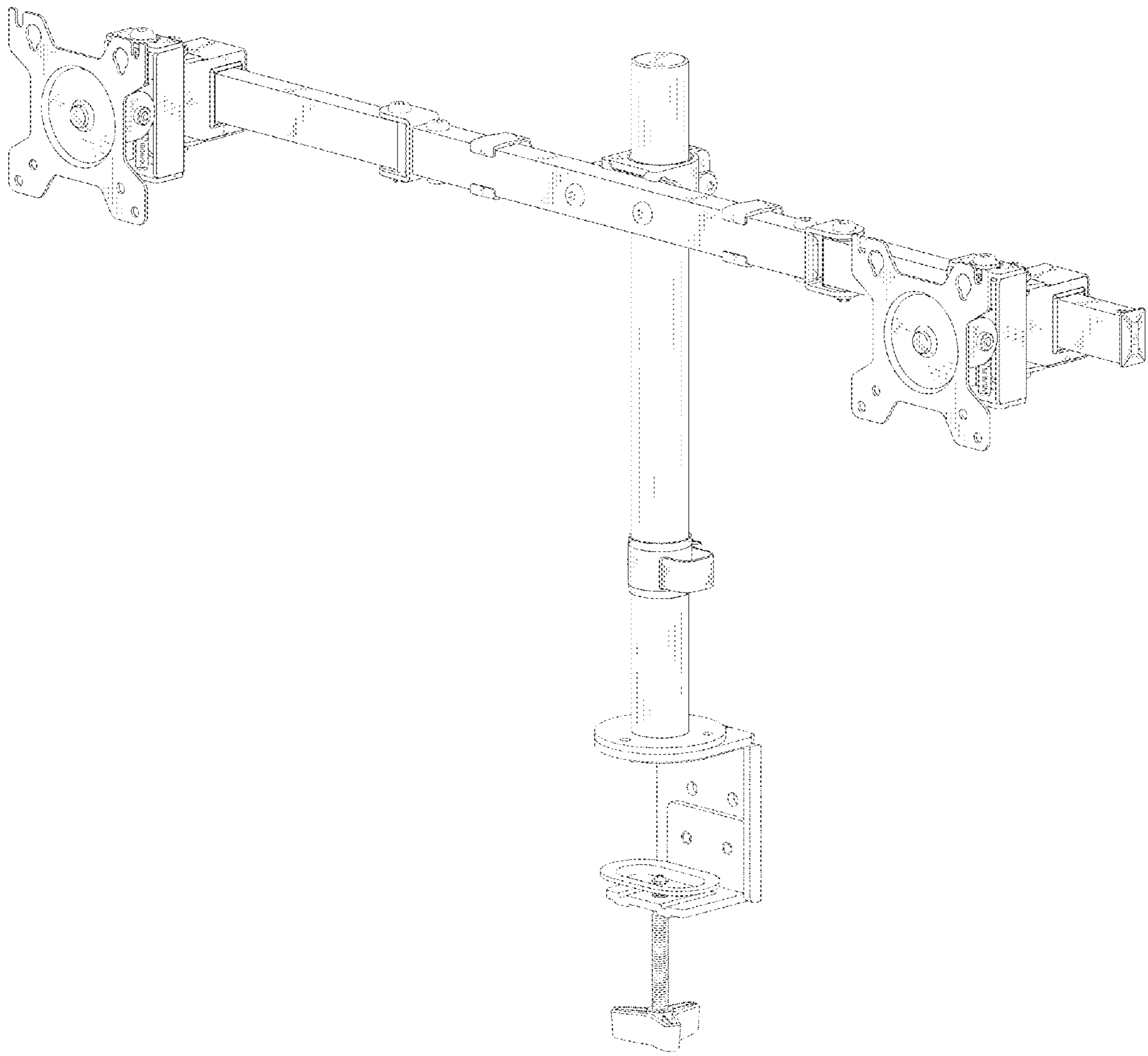


FIG.1

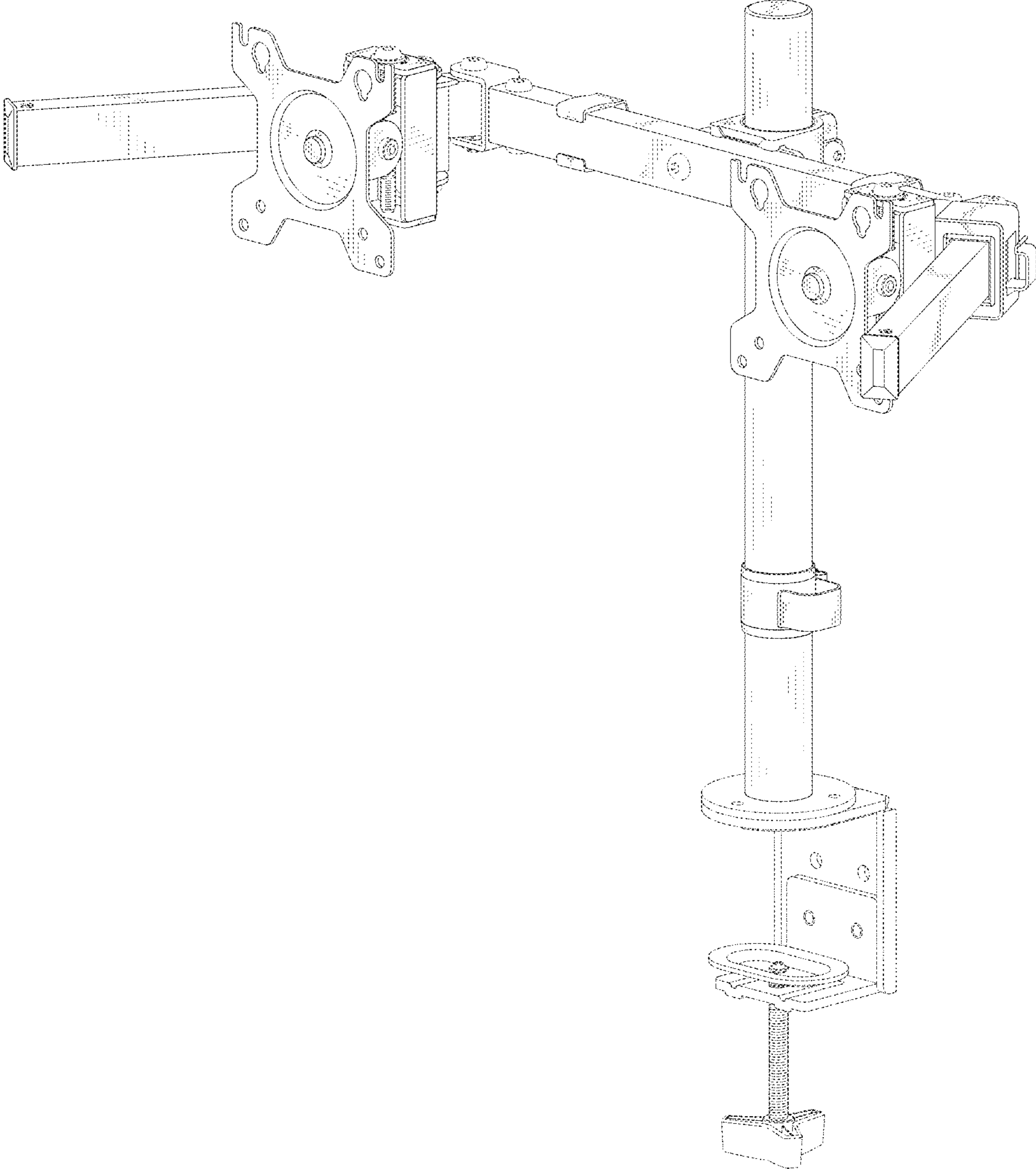


FIG. 2

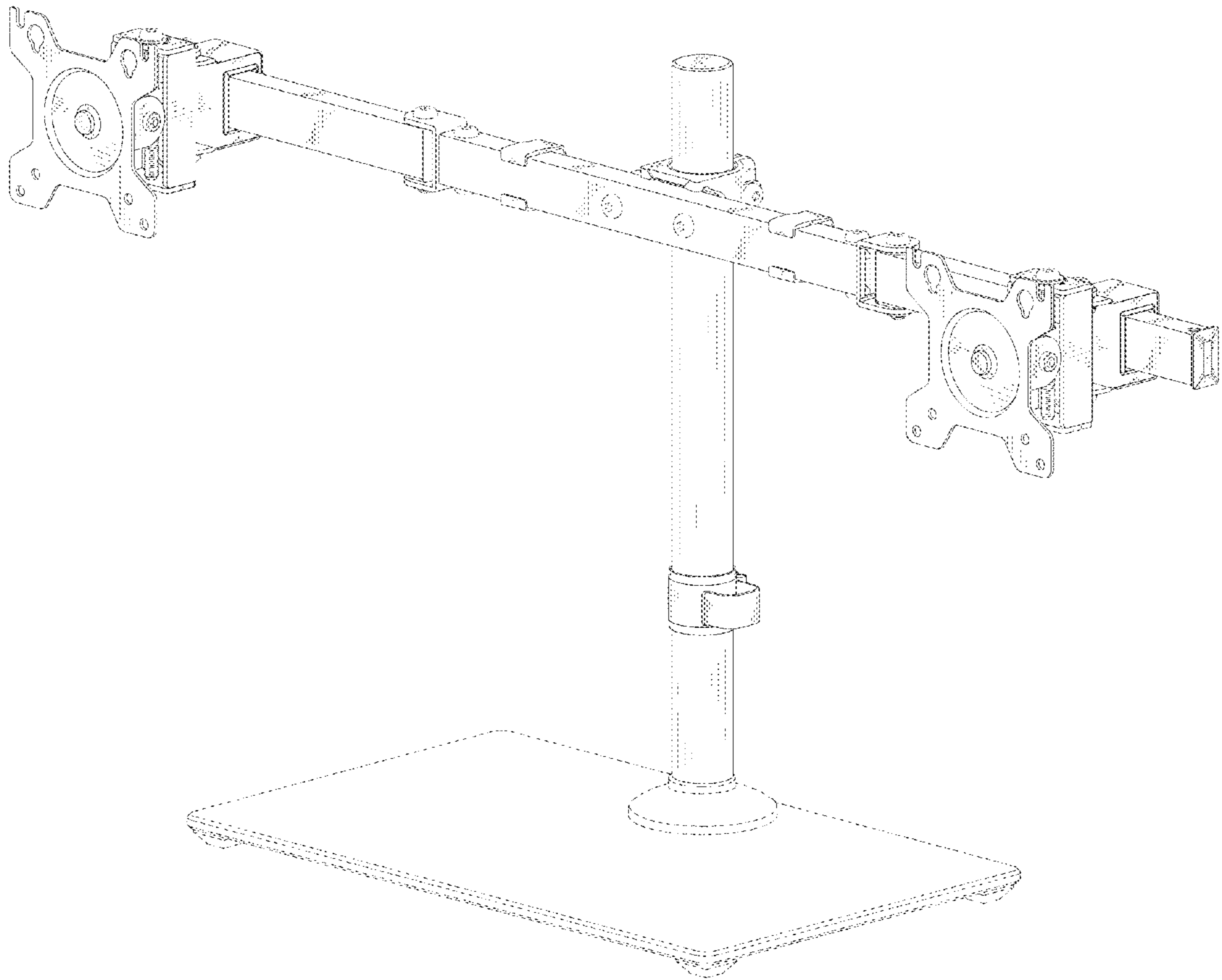


FIG. 3

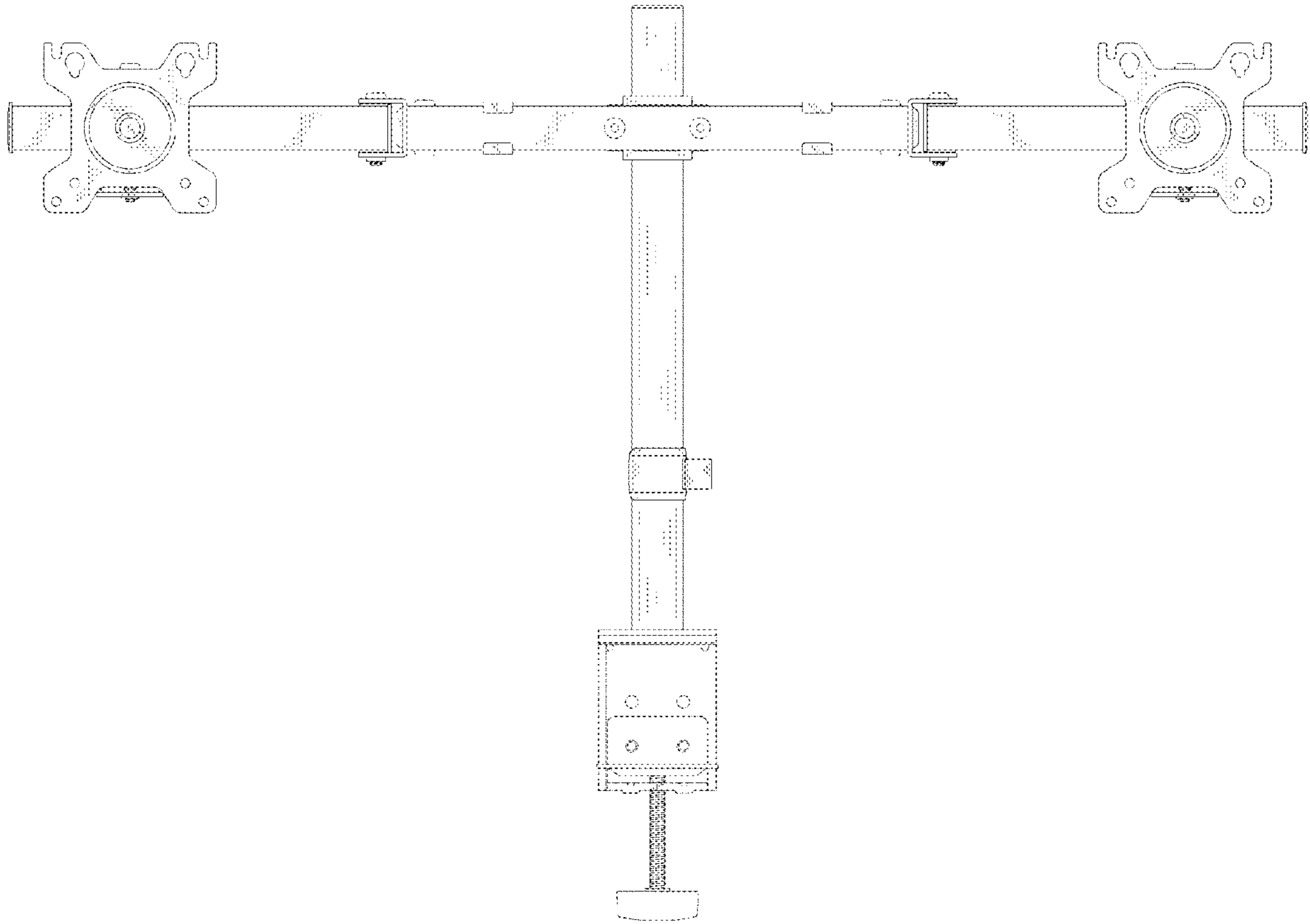


FIG. 4

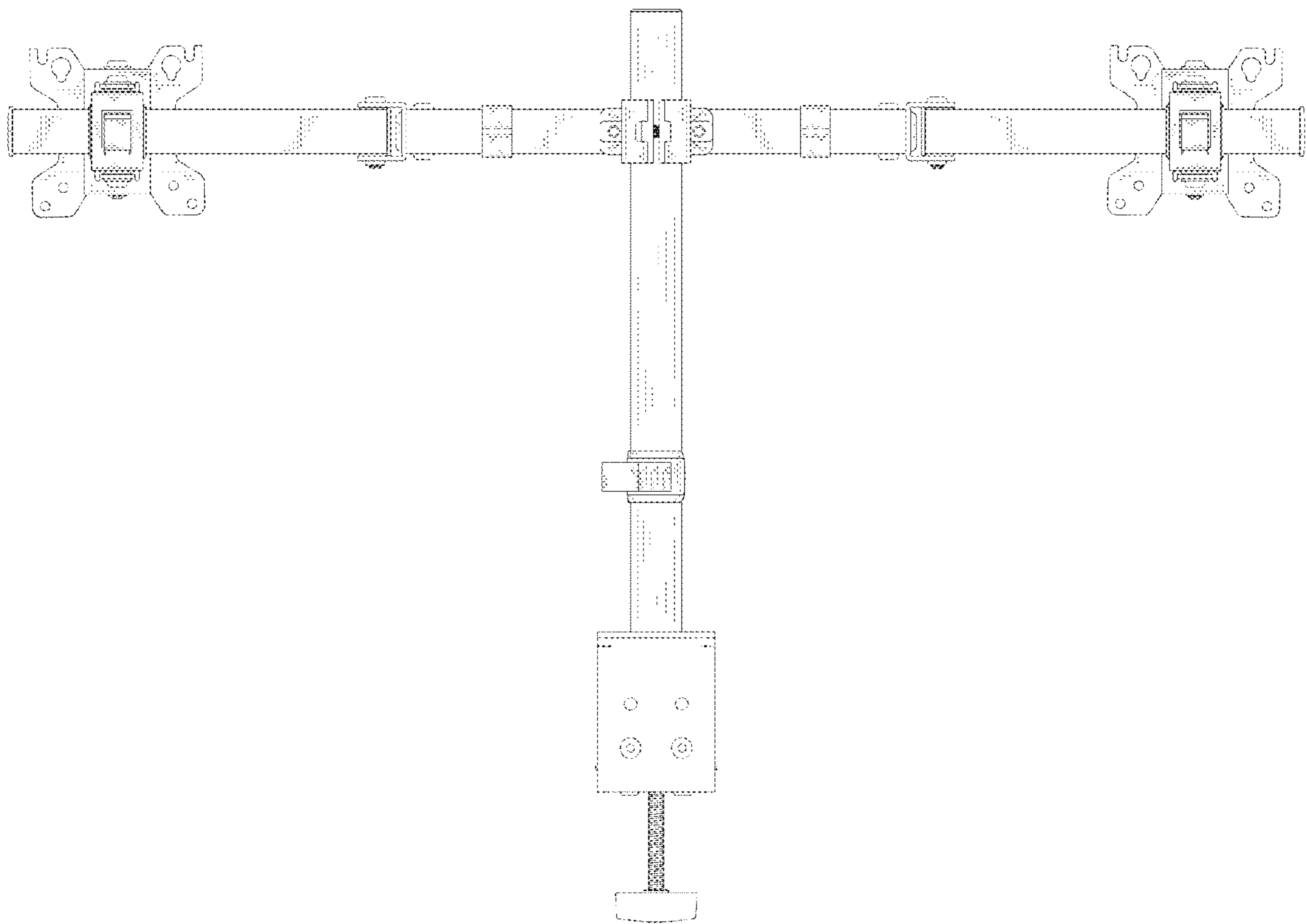


FIG. 5

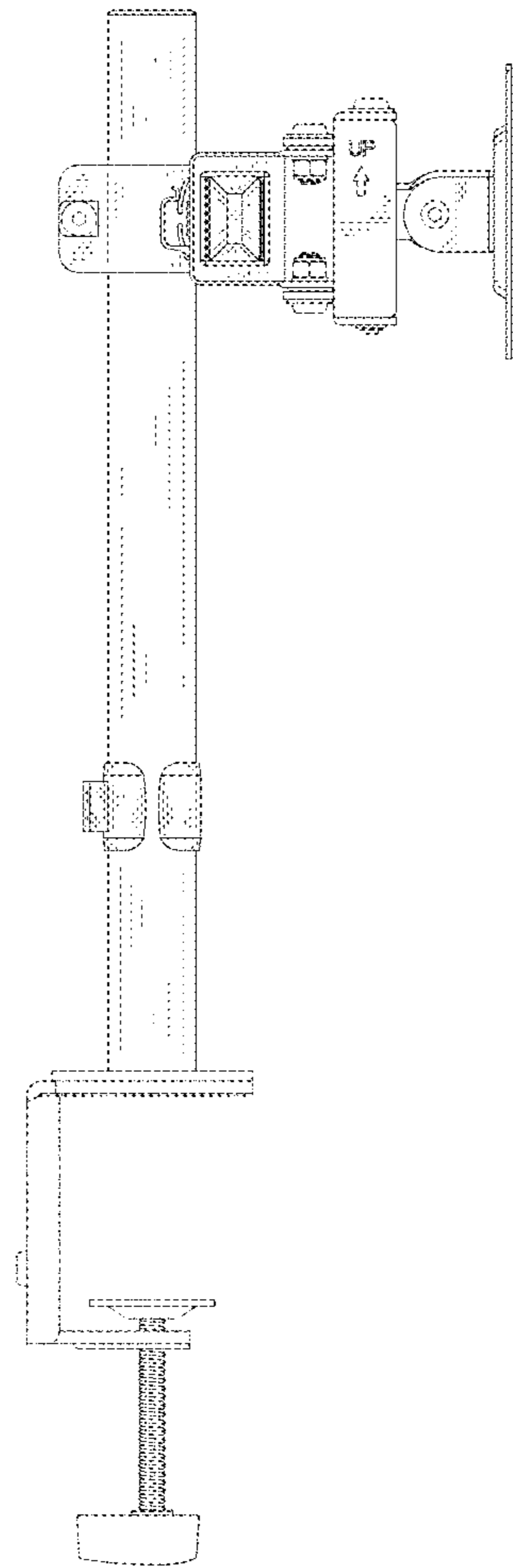


FIG. 6

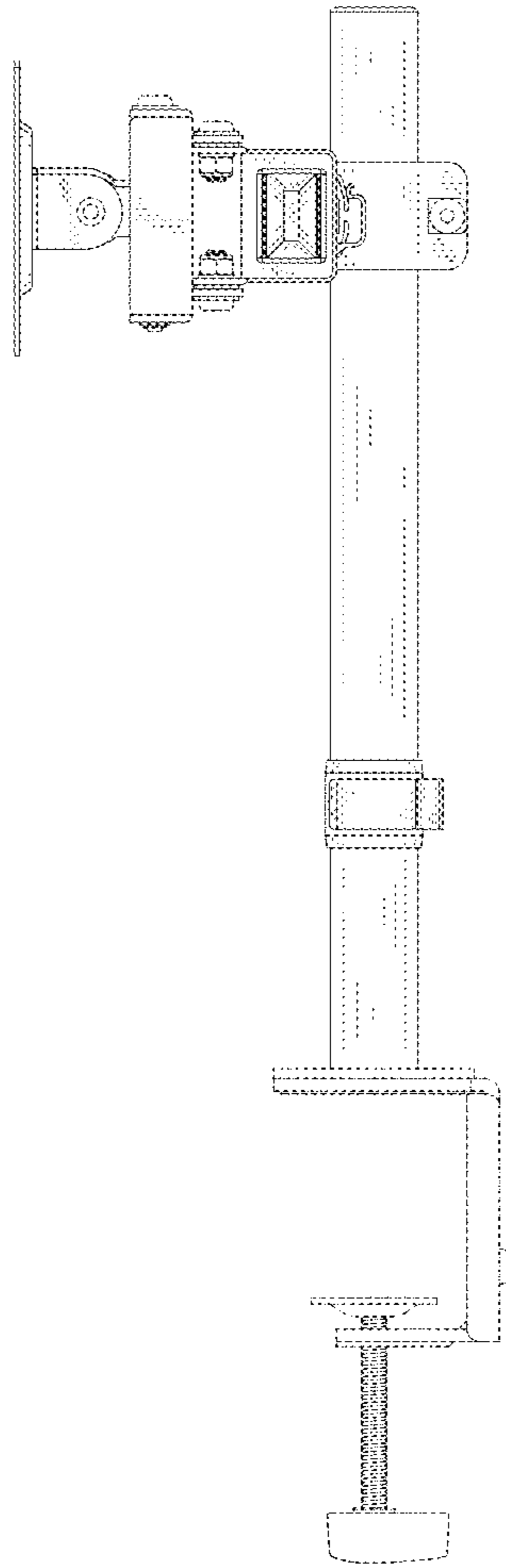


FIG. 7

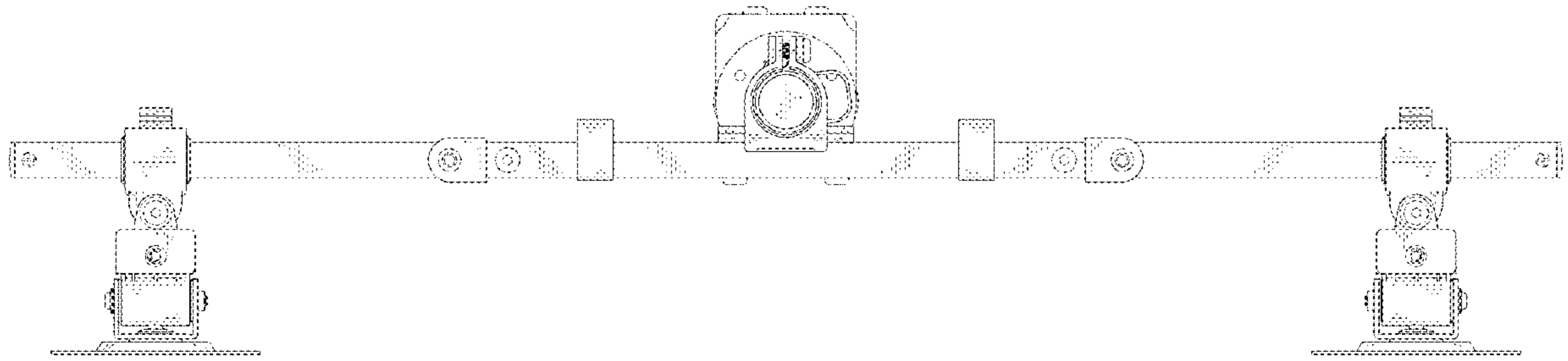


FIG. 8

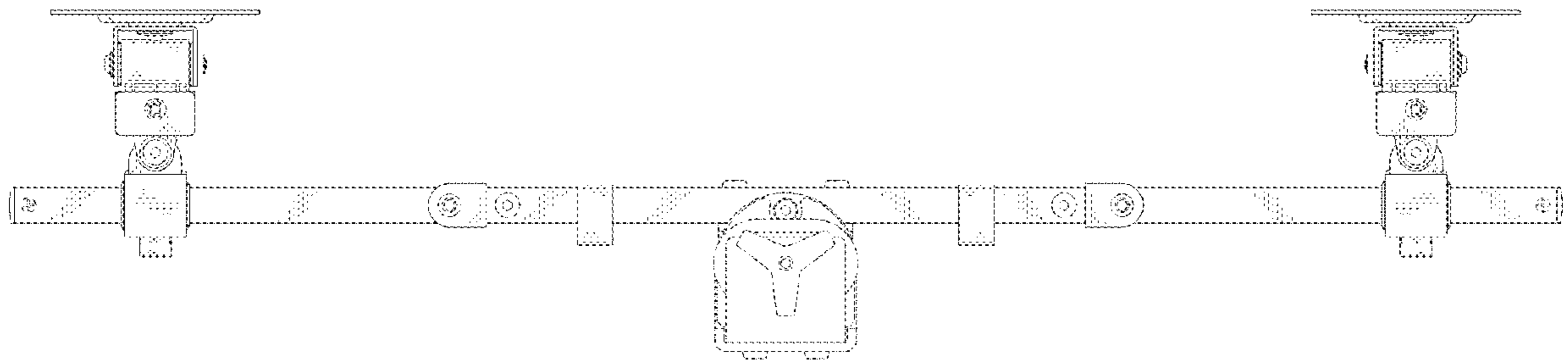


FIG. 9