



US00D947857S

(12) **United States Design Patent**
Lyu

(10) **Patent No.:** **US D947,857 S**

(45) **Date of Patent:** **** Apr. 5, 2022**

(54) **MONITOR STAND**

(71) Applicant: **Yaqi Lyu**, Shenzen (CN)

(72) Inventor: **Yaqi Lyu**, Shenzen (CN)

(**) Term: **15 Years**

(21) Appl. No.: **29/709,979**

(22) Filed: **Oct. 18, 2019**

(51) **LOC (13) Cl.** **14-02**

(52) **U.S. Cl.**
USPC **D14/451**

(58) **Field of Classification Search**
USPC D14/451-452
CPC F16M 11/2085; F16M 11/2092; F16M
11/2007; F16M 11/10; F16M 11/105
See application file for complete search history.

(56) **References Cited**

U.S. PATENT DOCUMENTS

7,195,214 B2 *	3/2007	Lee	F16M 11/08 248/125.8
D539,566 S *	4/2007	Anderson	D6/676.1
D563,962 S *	3/2008	Grey	D14/452
D567,545 S *	4/2008	Liu	D6/678.1
D567,546 S *	4/2008	Liu	D6/678.1
D592,432 S *	5/2009	Sexton	D6/661
D593,776 S *	6/2009	Sexton	D6/678.2
D620,943 S *	8/2010	Grey	D14/452
D630,623 S *	1/2011	Molter	D14/239
D630,870 S *	1/2011	Sexton	D6/675.3
D640,071 S *	6/2011	Sexton	D6/678.2
D640,072 S *	6/2011	Sexton	D6/678.2
D641,369 S *	7/2011	Skull	D14/452
D671,338 S *	11/2012	Sexton	D6/675.1
D712,690 S *	9/2014	Xiang	D6/678.1
D712,691 S *	9/2014	Xiang	D6/678.1
D715,276 S *	10/2014	Davis	D14/239
D719,384 S *	12/2014	Sowers	D6/678.2
D787,237 S *	5/2017	Bowman	D6/656.15

D791,776 S *	7/2017	Monsalve	D14/447
D836,091 S *	12/2018	Shu	D14/239
D837,225 S *	1/2019	Russell	D14/452
D842,283 S *	3/2019	Pei	D14/239
D848,989 S *	5/2019	Pei	D14/239
D848,990 S *	5/2019	Pei	D14/239
D853,403 S *	7/2019	Lyu	D14/451
D853,404 S *	7/2019	Bowman	D14/452
D877,743 S *	3/2020	Pei	D14/451
D895,635 S *	9/2020	Sitoh	D14/452
D904,361 S *	12/2020	Pei	D14/239
D905,070 S *	12/2020	Pei	D14/451
D910,607 S *	2/2021	Lyu	D14/239

(Continued)

OTHER PUBLICATIONS

“PERLESMITH Universal Swivel TV Stand . . .”, first available May 17, 2019, amazon.com, [online], [site visited Sep. 21, 2021], Available from internet URL: <https://www.amazon.com/PERLESMITH-Universal-Swivel-Stand-Adjustable/dp/B07S1BDQ4P> (Year: 2019).*

Primary Examiner — Christian P. McLean
Assistant Examiner — Kourosch Taie-Tehrani

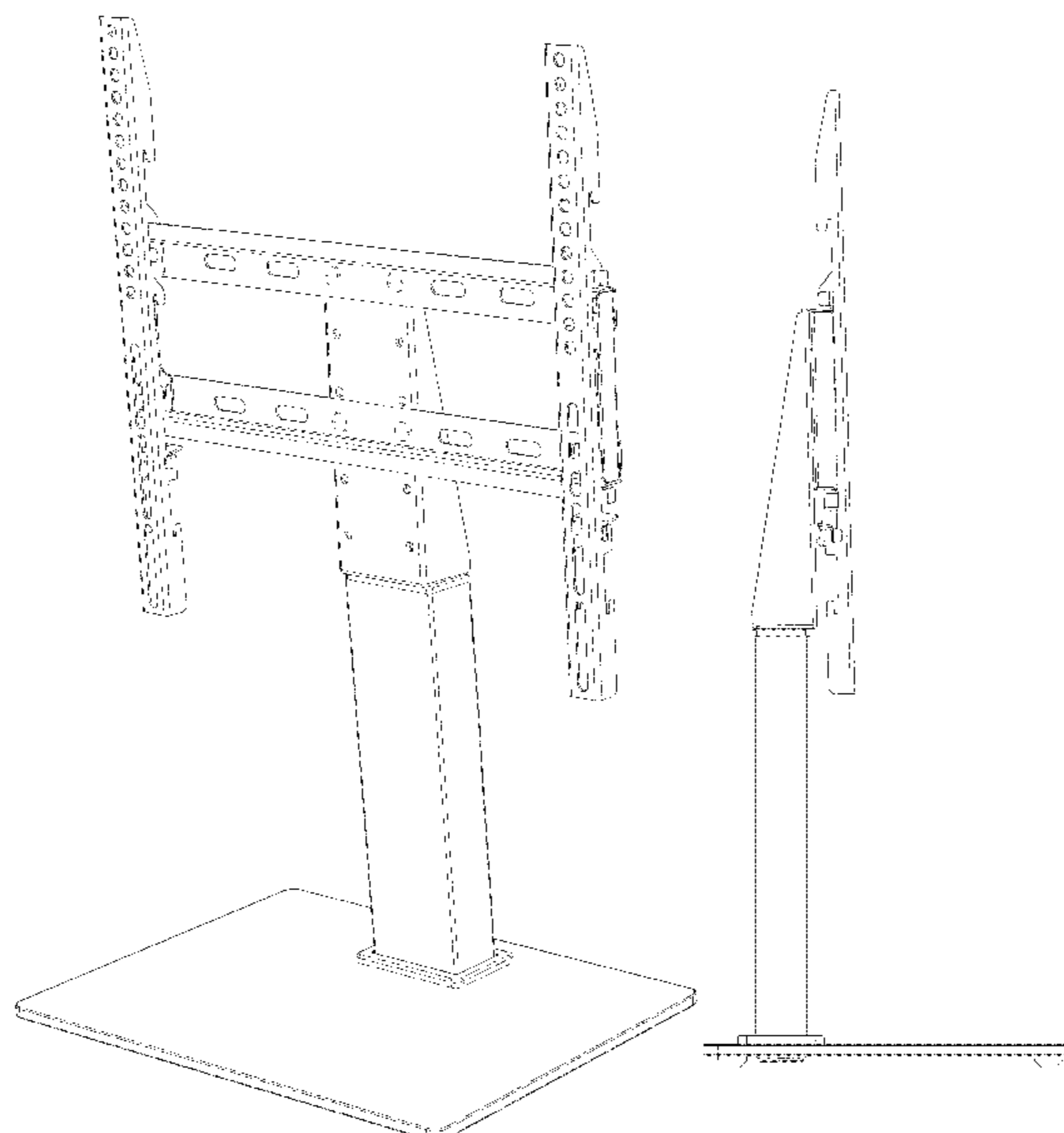
(57) **CLAIM**

The ornamental design for a monitor stand, as shown and described.

DESCRIPTION

FIG. 1 is a perspective view of a monitor stand showing my new design;
FIG. 2 is a front elevational view thereof;
FIG. 3 is a rear elevational view thereof;
FIG. 4 is a left side elevational view thereof;
FIG. 5 is a right side elevational view thereof;
FIG. 6 is a top plan view thereof; and,
FIG. 7 is a bottom plan view thereof.
The broken lines depict portions of the monitor stand that form no part of the claimed design.

1 Claim, 7 Drawing Sheets



(56)

References Cited

U.S. PATENT DOCUMENTS

D911,320	S	*	2/2021	Lyu	D14/239
D912,023	S	*	3/2021	Lyu	D14/239
D912,024	S	*	3/2021	Pei	D14/239
D912,026	S	*	3/2021	Lyu	D14/239
D912,028	S	*	3/2021	Shu	D14/239
D913,998	S	*	3/2021	Pei	D14/239
D915,365	S	*	4/2021	Lu	D14/239
D915,366	S	*	4/2021	Shu	D14/239
D916,689	S	*	4/2021	Lyu	D14/239
D918,189	S	*	5/2021	Lu	D14/239
D919,630	S	*	5/2021	Lyu	D14/451
D920,987	S	*	6/2021	Lyu	D14/451
D921,621	S	*	6/2021	Zou	D14/239
D924,857	S	*	7/2021	Lyu	D14/239
D925,508	S	*	7/2021	Lyu	D14/239
D928,128	S	*	8/2021	Chen	D14/239
D928,129	S	*	8/2021	Chen	D14/239
D932,474	S	*	10/2021	Cohen	D14/239
D935,872	S	*	11/2021	Chen	D8/363

* cited by examiner

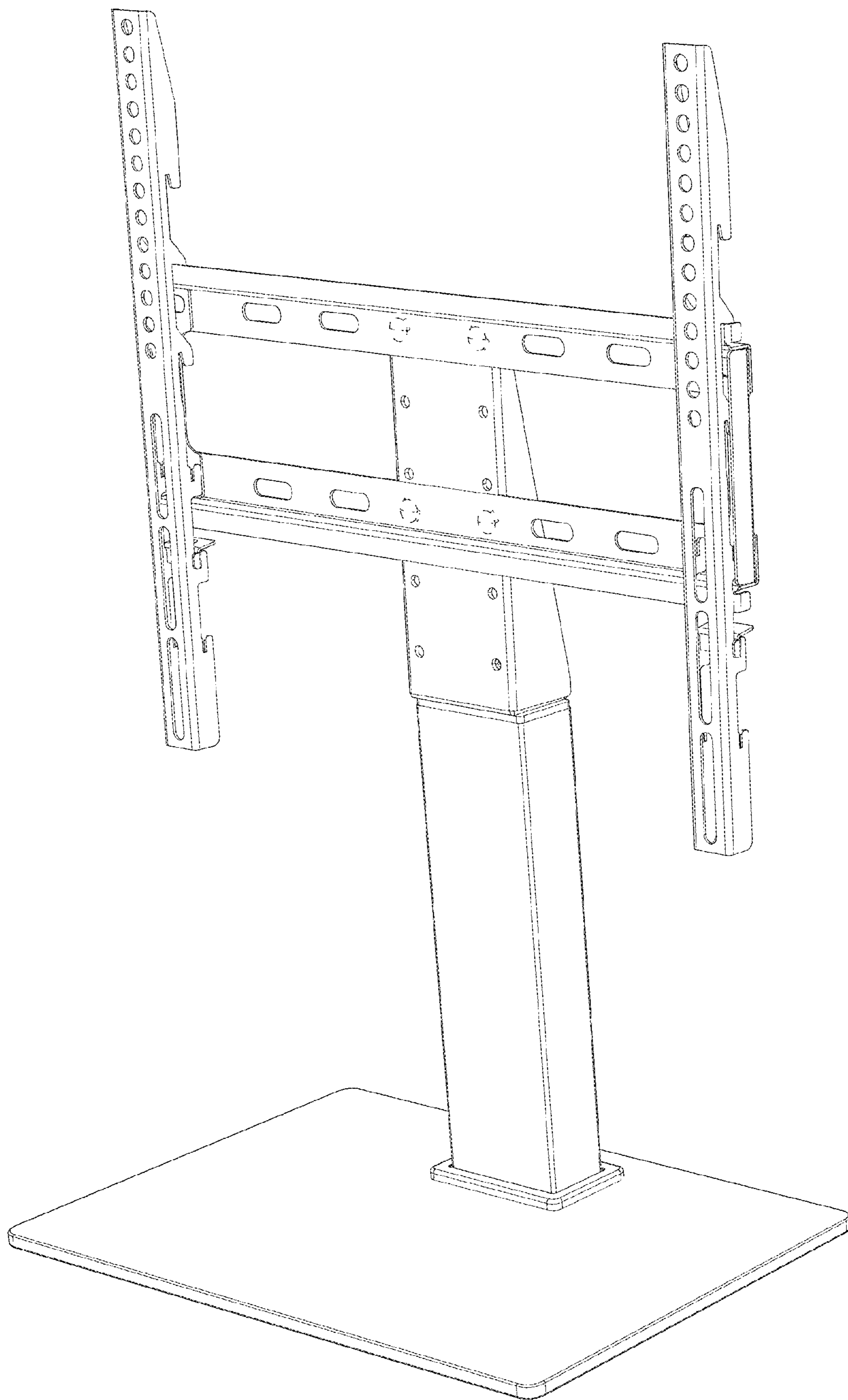


FIG. 1

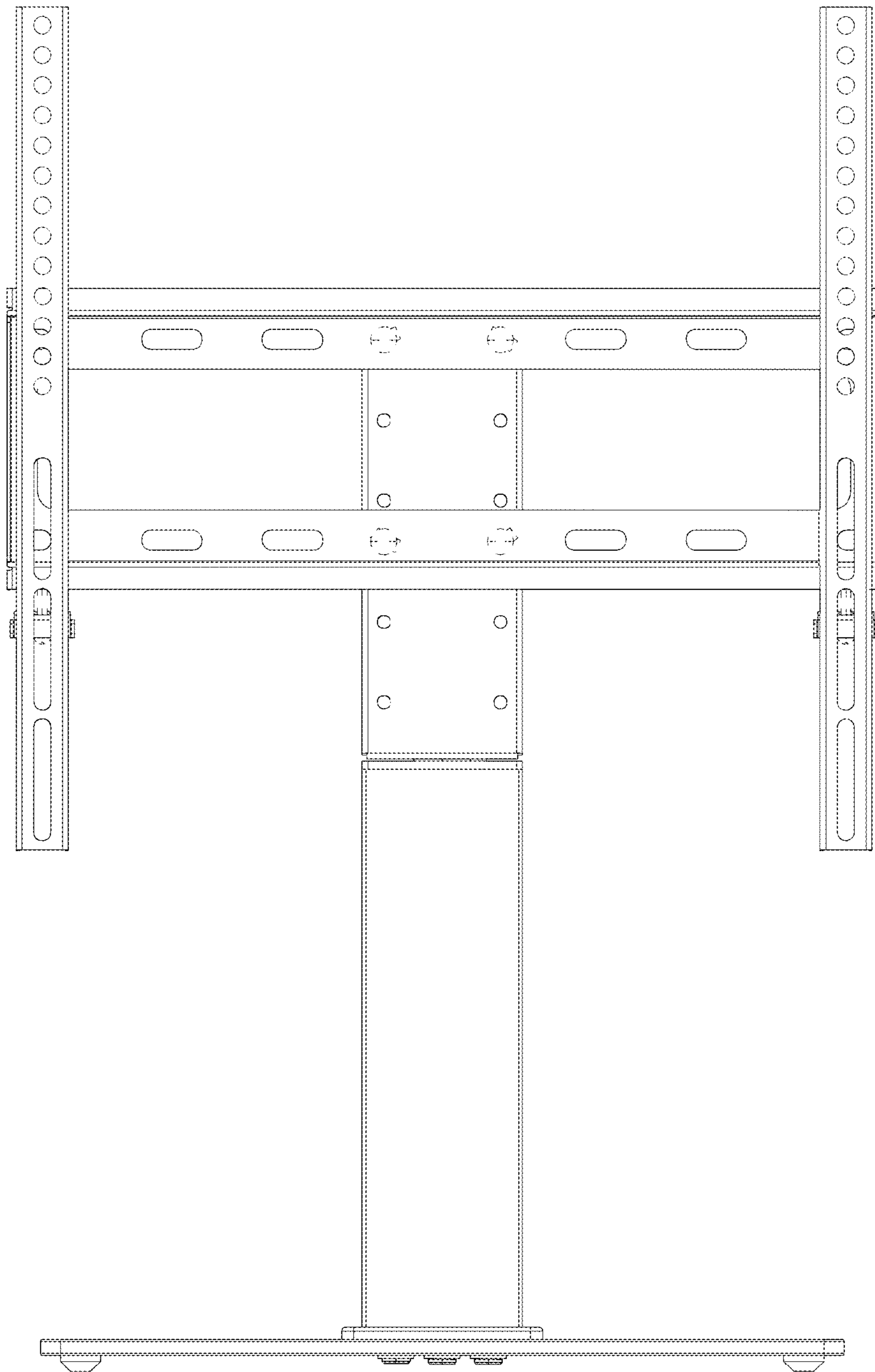


FIG. 2

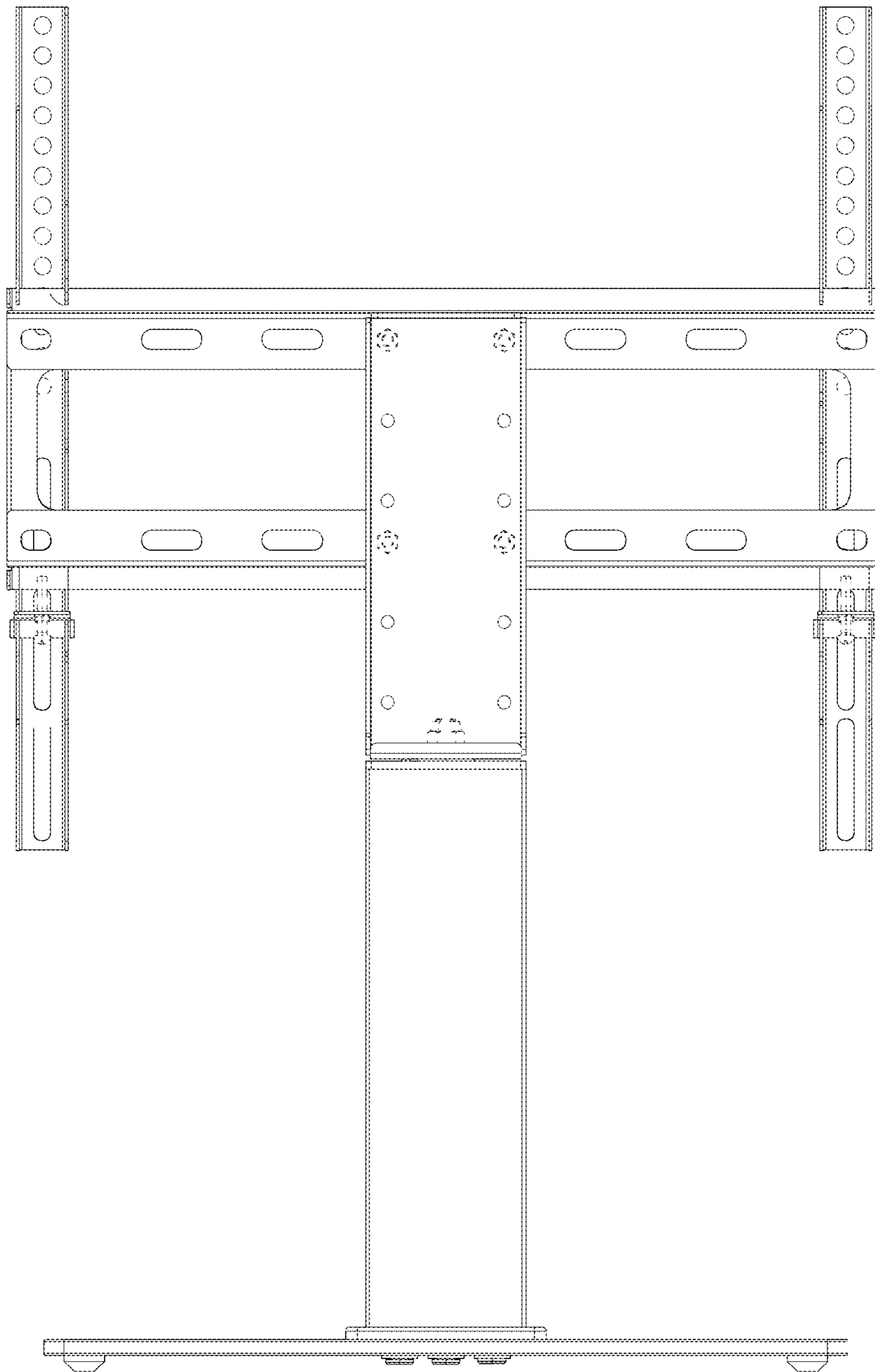


FIG. 3

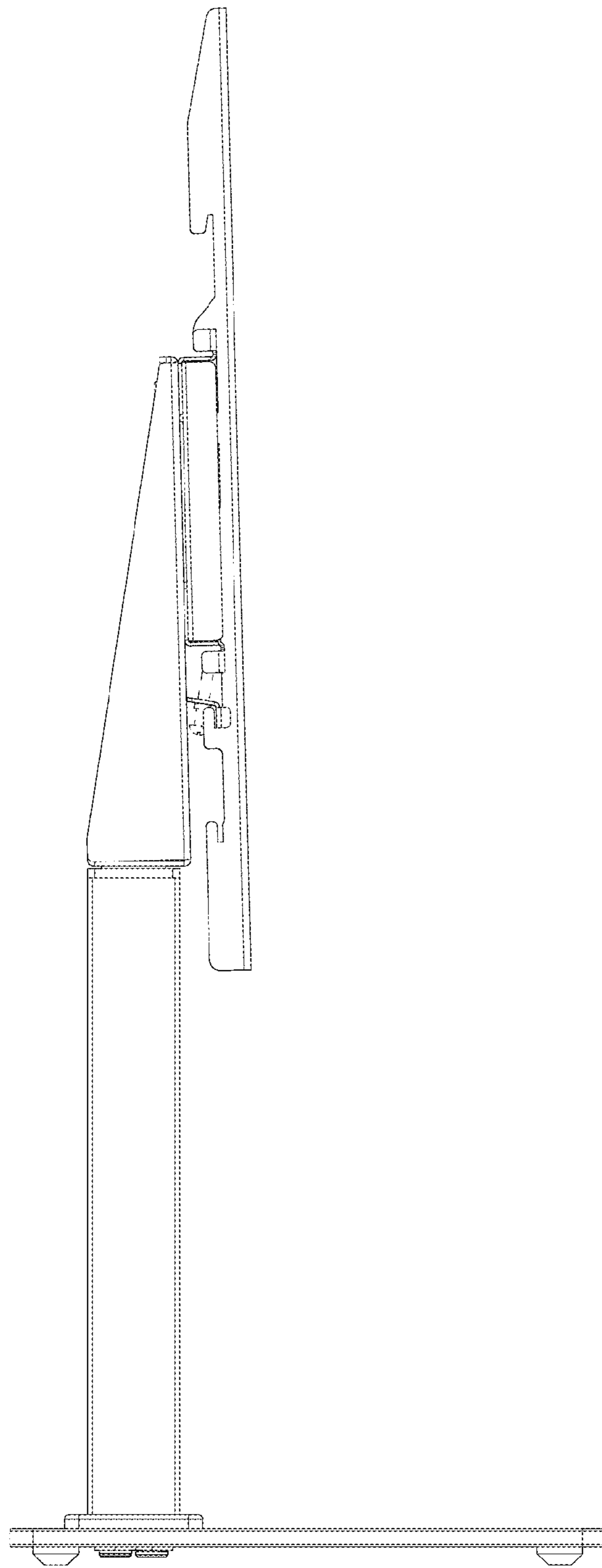


FIG. 4

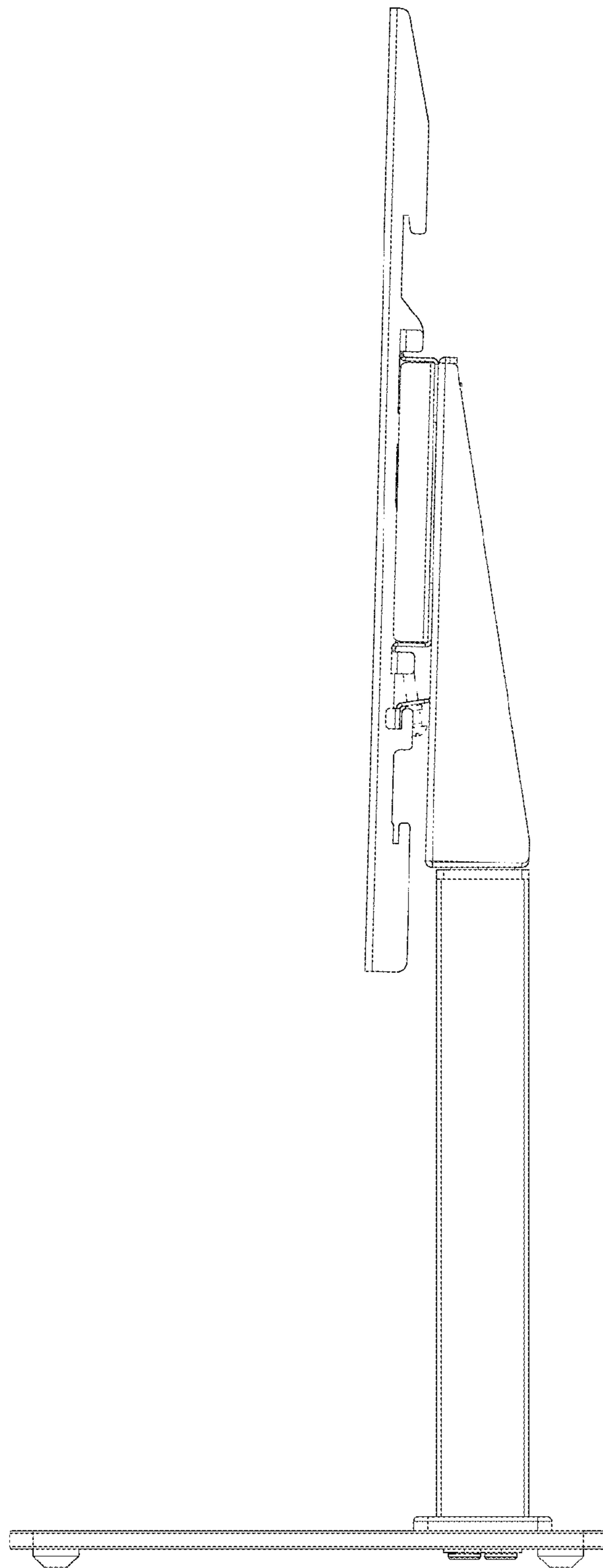


FIG. 5

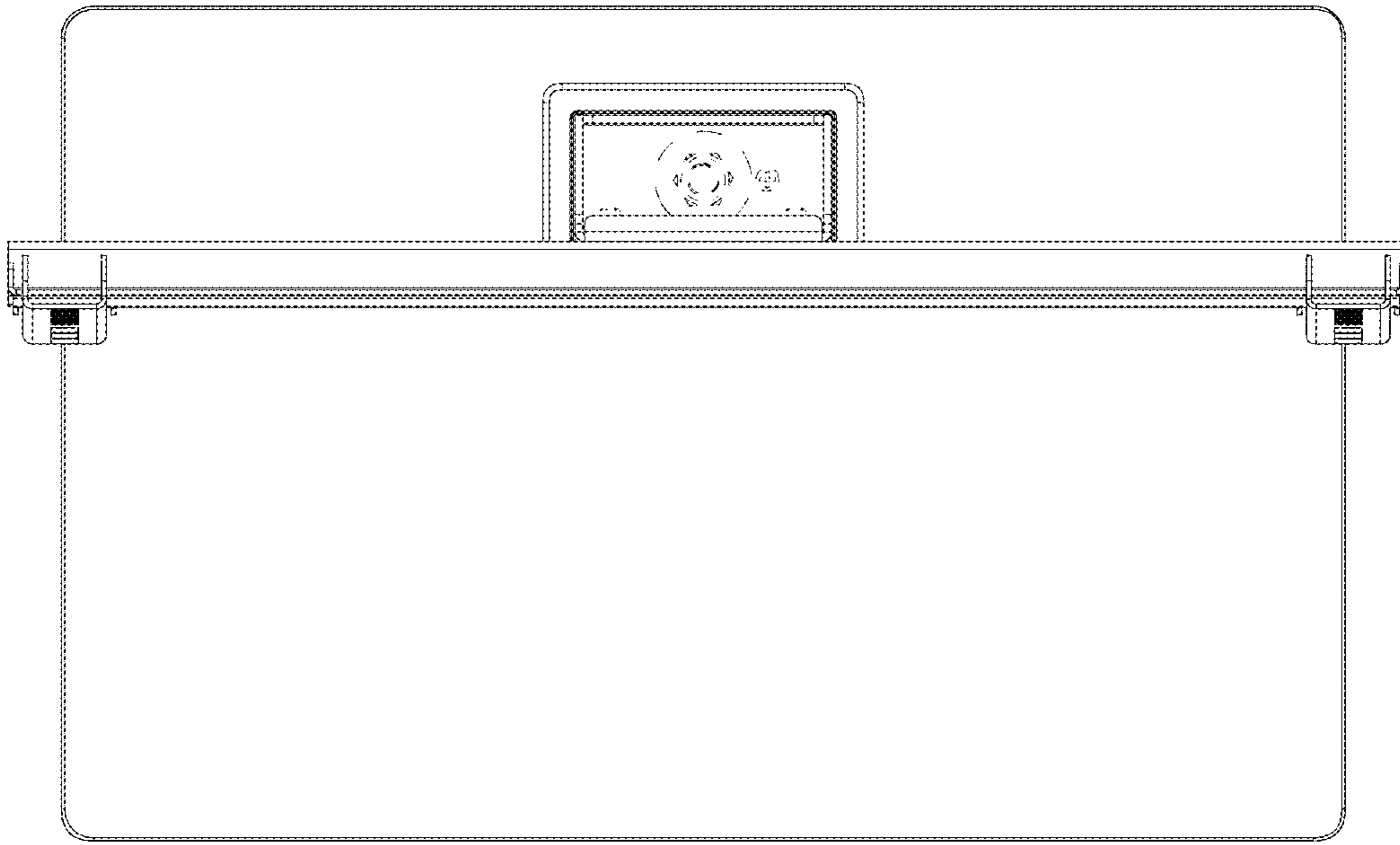


FIG. 6

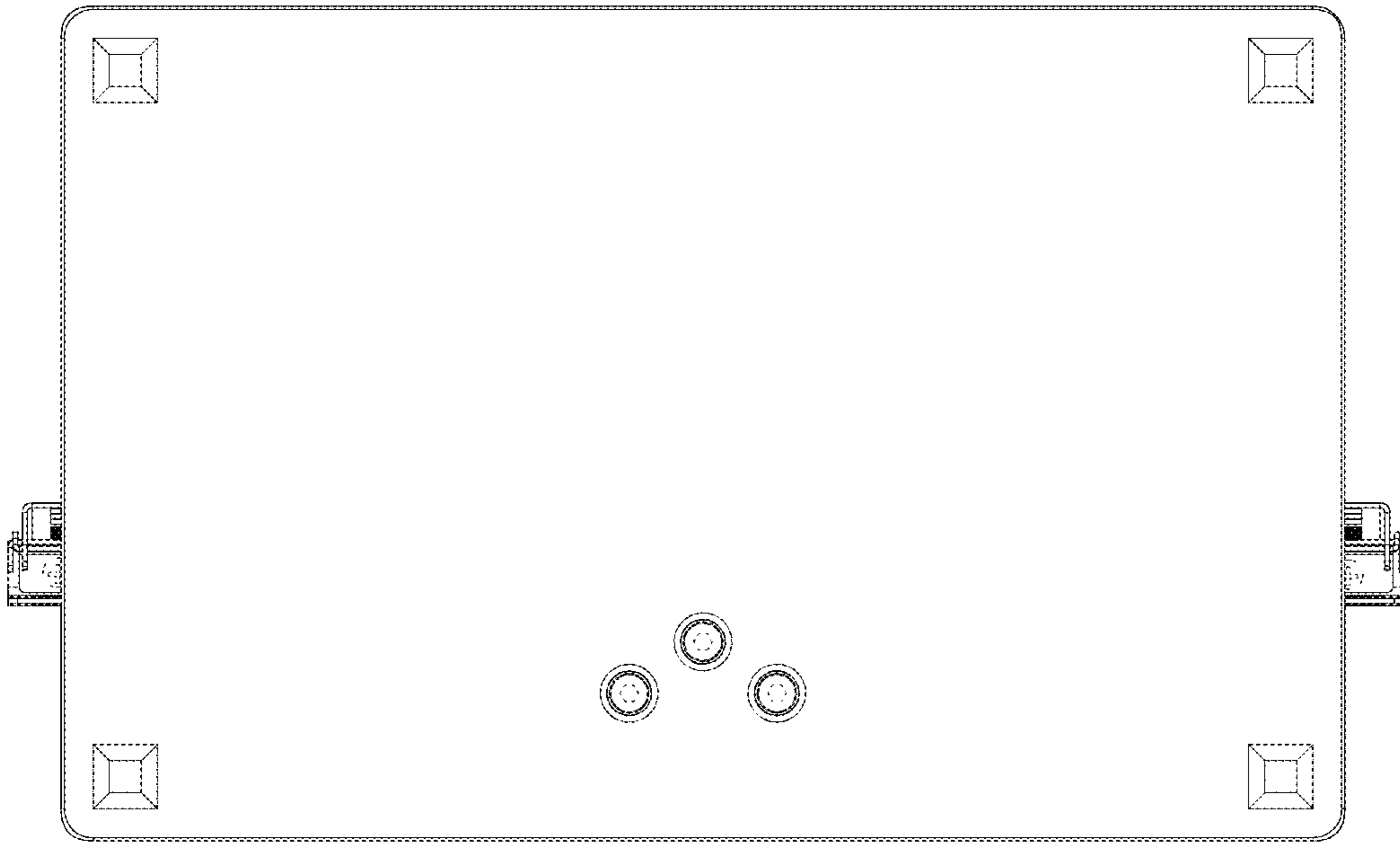


FIG. 7