



US00D947855S

(12) **United States Design Patent** (10) **Patent No.:** **US D947,855 S**  
**Akana et al.** (45) **Date of Patent:** **\*\* Apr. 5, 2022**

(54) **COVER**

D14/451, 455-457, 477, 507; D18/2, 11;  
D21/324, 330, 335, 515; D6/595-596,  
D6/601, 611; D3/201, 203.6-203.8,  
D3/900-905; 206/45.2, 45.23

(71) Applicant: **Apple Inc.**, Cupertino, CA (US)

(72) Inventors: **Jody Akana**, San Francisco, CA (US);  
**Molly Anderson**, San Francisco, CA  
(US); **Bartley K. Andre**, Palo Alto, CA  
(US); **Shota Aoyagi**, San Francisco, CA  
(US); **Anthony Michael Ashcroft**, San  
Francisco, CA (US); **Marine C.**  
**Bataille**, San Francisco, CA (US);  
**Jeremy Bataillou**, San Francisco, CA  
(US); **Markus Diebel**, San Francisco,  
CA (US); **M. Evans Hankey**, San  
Francisco, CA (US); **Julian Hoenig**,  
San Francisco, CA (US); **Richard P.**  
**Howarth**, San Francisco, CA (US);  
**Jonathan P. Ive**, San Francisco, CA  
(US); **Julian Jaede**, San Francisco, CA  
(US); **Duncan Robert Kerr**, San  
Francisco, CA (US); **Peter**  
**Russell-Clarke**, San Francisco, CA  
(US); **Benjamin Andrew Shaffer**, San  
Jose, CA (US); **Mikael Silvano**, San  
Francisco, CA (US); **Sung-Ho Tan**, San  
Francisco, CA (US); **Clement**  
**Tissandier**, San Francisco, CA (US);  
**Eugene Antony Whang**, San Francisco,  
CA (US); **Rico Zörkendörfer**, San  
Francisco, CA (US)

CPC ..... A47G 9/1027; A47C 31/10; A47C 31/11;  
H04B 1/3888

See application file for complete search history.

(56)

**References Cited**

U.S. PATENT DOCUMENTS

2,968,176 A	1/1961	Collings
3,442,371 A	5/1969	Deshong et al.
4,629,070 A	12/1986	Roberg et al.
4,718,550 A	1/1988	Johnson et al.
D321,855 S	11/1991	Ross, Jr.
5,066,158 A	11/1991	Huang et al.
5,092,354 A	3/1992	Pacelli, Jr. et al.
D331,191 S	11/1992	Ventola et al.
D364,191 S	11/1995	Allen
D393,875 S	4/1998	Brooks
D409,667 S	5/1999	Riley et al.
D418,867 S	1/2000	Platte
D454,110 S	3/2002	Andre et al.
D467,429 S	12/2002	Bone et al.
D512,100 S	11/2005	Howes et al.
D533,347 S	12/2006	Andre et al.
D538,096 S	3/2007	Bartell et al.
D556,681 S	12/2007	Kim
D560,383 S	1/2008	Woods et al.
D564,223 S	3/2008	Messineo et al.
D566,111 S	4/2008	Nakagawa et al.
7,398,868 B2	7/2008	Morszeck et al.
D574,819 S	8/2008	Andre et al.
D582,405 S	12/2008	Andre et al.
D583,479 S	12/2008	Yim et al.
D584,141 S	1/2009	Smith et al.
D596,305 S	7/2009	Usui et al.
D602,598 S	10/2009	Yim et al.
D603,906 S	11/2009	Miller et al.
D606,121 S	12/2009	Miller et al.
D606,751 S	12/2009	Andre et al.
D607,255 S	1/2010	Sunseri et al.
D609,912 S	2/2010	Kyono et al.
D619,361 S	7/2010	Andre et al.
D622,716 S	8/2010	Andre et al.
D624,615 S	9/2010	Kusmierz et al.
D627,775 S	11/2010	Li et al.
D627,777 S	11/2010	Akana et al.
D628,004 S	11/2010	Moorefield et al.
D628,132 S	11/2010	Grzyb et al.

(73) Assignee: **Apple Inc.**, Cupertino, CA (US)

(\*\*) Term: **15 Years**

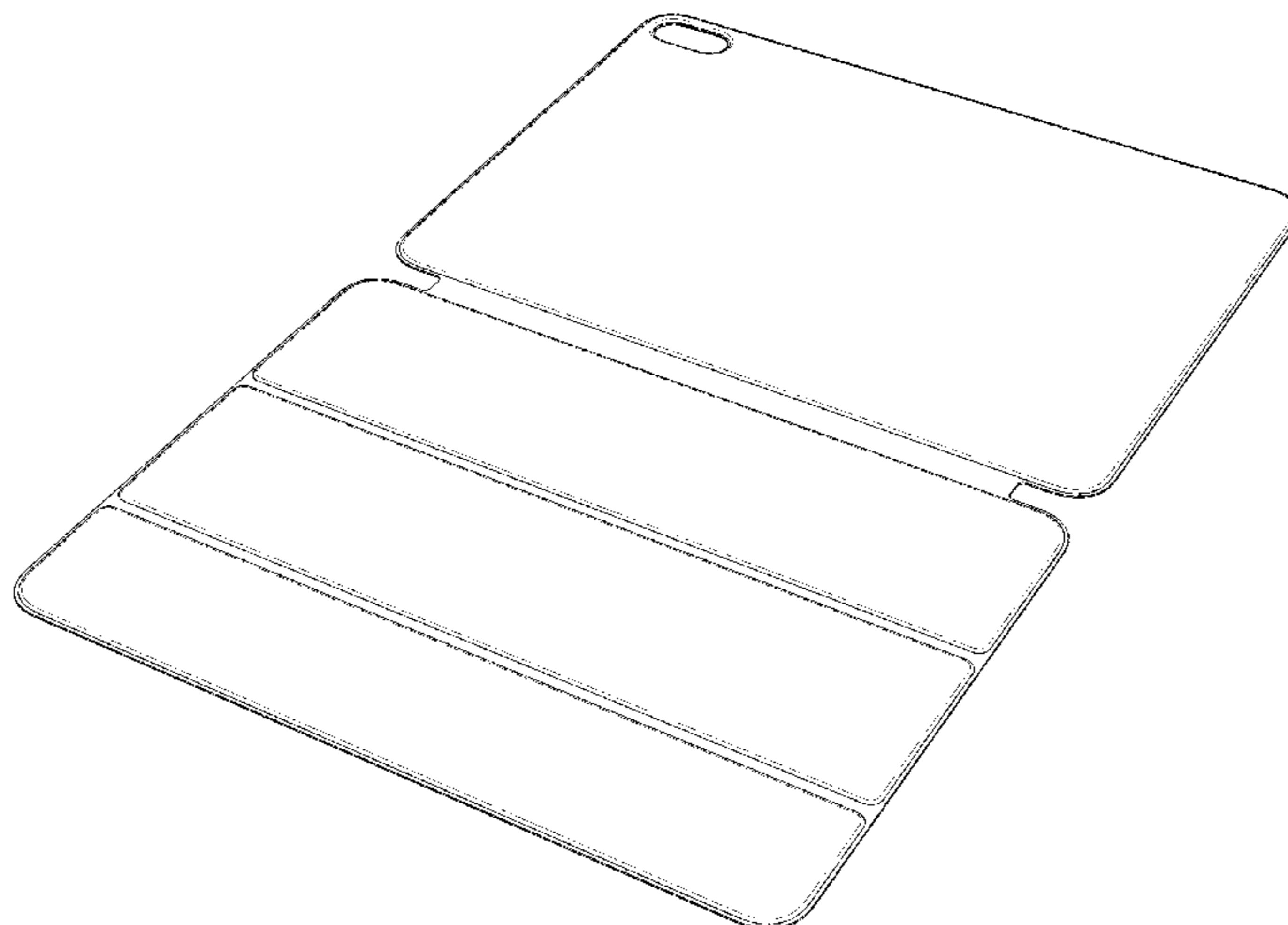
(21) Appl. No.: **29/656,622**

(22) Filed: **Jul. 13, 2018**

(51) **LOC (13) Cl.** ..... **14-02**

(52) **U.S. Cl.**  
USPC ..... **D14/444**

(58) **Field of Classification Search**  
USPC ..... D14/203.4, 203.6, 250-251, 315-327,  
D14/331, 345-346, 425, 434, 440, 444,



# US D947,855 S

D628,197 S 11/2010 Li et al.  
D629,195 S 12/2010 Jusic et al.  
D633,388 S 3/2011 Andre et al.  
D633,673 S 3/2011 McKnight et al.  
D635,135 S 3/2011 Li et al.  
D635,564 S 4/2011 Li et al.  
D637,814 S 5/2011 Akana et al.  
D656,495 S 3/2012 Andre et al.  
8,143,982 B1 3/2012 Lauder et al.  
D658,186 S 4/2012 Akana et al.  
D658,187 S 4/2012 Diebel et al.  
D658,188 S 4/2012 Diebel et al.  
D660,833 S 5/2012 Bau et al.  
D662,100 S 6/2012 Van Den Nieuwenhuizen et al.  
D662,503 S 6/2012 Akana et al.  
D663,304 S 7/2012 Akana et al.  
D670,692 S 11/2012 Akana et al.  
D671,114 S 11/2012 Akana et al.  
D671,948 S 12/2012 Akana et al.  
8,328,008 B2 12/2012 Diebel et al.  
D679,715 S 4/2013 Akana et al.  
D681,641 S 5/2013 Van Den Nieuwenhuizen et al.  
D682,836 S 5/2013 Akana et al.  
D682,838 S 5/2013 Akana et al.  
D685,801 S 7/2013 Canizares et al.  
D685,803 S 7/2013 Akana et al.  
D688,251 S 8/2013 Akana et al.  
D688,669 S 8/2013 Akana et al.  
D689,498 S 9/2013 Akana et al.  
D691,142 S 10/2013 Diebel et al.  
D691,143 S 10/2013 Diebel et al.  
D695,745 S 12/2013 Kim et al.  
D696,253 S 12/2013 Akana et al.  
D696,669 S 12/2013 Akana et al.  
D697,512 S \* 1/2014 Akana ..... D14/440  
D701,205 S 3/2014 Akana et al.  
D704,702 S 5/2014 Akana et al.  
D706,270 S 6/2014 Akana et al.  
D708,172 S 7/2014 Ryu et al.  
D708,836 S 7/2014 Lee et al.  
D708,839 S \* 7/2014 Lee ..... D3/201  
D711,887 S 8/2014 Akana et al.  
8,794,436 B2 8/2014 Hsu et al.  
D713,402 S 9/2014 Akana et al.  
D713,848 S 9/2014 Akana et al.  
D719,956 S 12/2014 Akana et al.  
D720,355 S 12/2014 Akana et al.  
D722,057 S 2/2015 Schoenith et al.  
D723,038 S 2/2015 Kim et al.  
D723,041 S 2/2015 Kim et al.  
D723,568 S \* 3/2015 Kim ..... D14/440  
D726,731 S \* 4/2015 Kim ..... D14/440  
D727,916 S \* 4/2015 Melmon ..... D14/440  
D730,362 S \* 5/2015 Akana ..... D14/440  
D735,205 S 7/2015 Akana et al.  
D740,060 S 10/2015 Akana et al.  
D740,292 S 10/2015 Akana et al.  
D743,391 S 11/2015 Akana et al.  
D745,011 S \* 12/2015 Akana ..... D14/440  
D750,632 S 3/2016 Diebel et al.  
D754,654 S \* 4/2016 Akana ..... D14/341  
9,419,669 B2 \* 8/2016 Smith ..... G05G 1/02  
D770,457 S 11/2016 Massucco et al.  
D773,454 S \* 12/2016 Akana ..... D14/341  
D773,470 S 12/2016 Akana et al.  
9,545,139 B2 \* 1/2017 Kim ..... A45C 11/00  
D779,485 S 2/2017 Akana et al.  
D784,348 S 4/2017 Zhang et al.  
D784,995 S \* 4/2017 Akana ..... D14/440  
D792,393 S \* 7/2017 Akana ..... D14/341  
D792,884 S \* 7/2017 Nyholm ..... D14/440  
9,753,494 B2 \* 9/2017 Laine ..... G06F 1/1626  
D801,343 S \* 10/2017 Akana ..... D14/440  
D807,889 S \* 1/2018 Kim ..... D14/440  
D819,038 S \* 5/2018 Diebel ..... D14/440  
D820,838 S \* 6/2018 Akana ..... D14/345  
D820,839 S \* 6/2018 Akana ..... D14/345  
D823,854 S \* 7/2018 Enqvist ..... D14/345

D827,650 S \* 9/2018 Diebel ..... G06F 1/1628  
D14/440  
10,114,410 B2 \* 10/2018 Ke ..... G06F 1/1681  
D837,793 S \* 1/2019 Ham ..... D14/440  
D840,405 S \* 2/2019 Akana ..... D14/440  
D850,452 S \* 6/2019 Akana ..... D14/440  
D856,337 S \* 8/2019 Akana ..... D14/439  
D871,415 S \* 12/2019 Lin ..... D14/440  
D883,986 S \* 5/2020 Akana ..... D14/440  
D884,710 S \* 5/2020 Hyun ..... D14/440  
D885,402 S \* 5/2020 Lei ..... D14/440  
D887,415 S \* 6/2020 Claudepierre ..... D14/440  
D889,474 S \* 7/2020 Akana ..... D14/440  
D892,125 S \* 8/2020 Ham ..... D14/440  
2005/0246851 A1 11/2005 Cline et al.  
2009/0000169 A1 1/2009 Houssain et al.  
2009/0107858 A1 4/2009 Huang et al.  
2009/0194209 A1 8/2009 De et al.  
2010/0289390 A1 11/2010 Kenney  
2010/0300909 A1 12/2010 Hung et al.  
2011/0164365 A1 7/2011 McClure et al.  
2011/0227463 A1 9/2011 Hou et al.  
2012/0140396 A1 6/2012 Zelif et al.  
2012/0194448 A1 8/2012 Rothkopf et al.  
2013/0233762 A1 \* 9/2013 Balaji ..... B29C 65/7802  
206/736  
2014/0246340 A1 \* 9/2014 Jiang ..... G06F 1/1626  
206/45.23  
2014/0291174 A1 \* 10/2014 Chung ..... G06F 1/1628  
206/45.23  
2015/0065208 A1 \* 3/2015 Balaji ..... A45C 11/00  
455/575.8  
2015/0237979 A1 \* 8/2015 Huang ..... A45C 11/00  
206/45.25  
2015/0263776 A1 \* 9/2015 Shyu ..... A45C 13/002  
455/575.8  
2015/0266610 A1 \* 9/2015 Melmon ..... A45C 11/00  
206/45.23  
2017/0068282 A1 3/2017 Smith et al.  
2017/0192455 A1 \* 7/2017 Kim ..... G06F 1/1669  
2017/0331506 A1 \* 11/2017 Landwehr ..... A45C 11/00  
2018/0060632 A1 \* 3/2018 Knabenshue ..... G06K 9/0002  
2020/0081489 A1 \* 3/2020 Stryker ..... G06F 1/1628  
2020/0097045 A1 \* 3/2020 Claudepierre ..... G06F 1/1656

## FOREIGN PATENT DOCUMENTS

CH	137798-0001	4/2011
CL	201100054	1/2011
CL	201100055	1/2011
CL	201100559	3/2011
CN	304660320	* 6/2018
CN	305339197	* 9/2019
EM	001266266-0001	7/2011
EM	001266282-0001	7/2011
EM	001266290-0001	7/2011
EM	001296156-0004	1/2012
EM	001325468-0001	6/2012
GB	4020173	6/2011
IN	313837-001-0001	* 10/2019
JP	D1466180	4/2013
KR	300658444	9/2012
TW	D151010	12/2012
TW	D154071	6/2013

## OTHER PUBLICATIONS

Case for iPad, ZtotopCase, amazon.com, published by ZtotopCase on Jan. 9, 2018 © 1996-2020 Amazon.com, online, site visited Sep. 6, 2020. Available at URL: [https://www.amazon.co.uk/Ztotop-10-5-Trifold-A1701-A1709/dp/B078WPW46H/ref=sr\\_1\\_4?dchild=1&qid=1599416449&refinements=p\\_n\\_feature\\_browse...](https://www.amazon.co.uk/Ztotop-10-5-Trifold-A1701-A1709/dp/B078WPW46H/ref=sr_1_4?dchild=1&qid=1599416449&refinements=p_n_feature_browse...) (Year: 2018).\*

Smart Case for iPad, ProCase, amazon.com, published by ProCase on Nov. 8, 2018© 1996-2020 Amazon.com, online, site visited Sep. 6, 2020. Available at URL: <https://www.amazon.com/ProCase->

Support-Charging-Lightweight-Translucent/dp/B07K9TX1HD (Year: 2018).\*

“AViiQ Smart Case for iPad 2 compliments Apple’s Smart Cover (Review)”, which was published on YouTube at <http://www.youtube.com/watch?v=wMoZM-ZSn4g>, Aug. 31, 2011, 2 pages.

Case-Parts, “Original Targus Folding Genuine Leather Case for Apple iPad with Built-in Holder,” Retrieved from the Internet: (URL: <http://www.caseparts.com/details/Original-Targus-Folding-Genuine-Leather-Case-for-Apple-iPad-with-Built-in-Holder-IPAD-570/photos.htm>), 3 pages.

Cool Bananas SmartShell iPad 2 Case, [retrieved on Jul. 15, 2011, Retrieved from the Internet: (URL: <https://blog.scoopz.com/2011/07/15/cool-bananas-smartshell-ipad-2-case-review/>).

Fintie SmartShell Case, [retrieved on Aug. 2012] Retrieved from the Internet: (URL: [http://www.amazon.com/Fintie-iPad-mini-Retina-Display/dp/B009T4K9BS/ref=sr\\_1\\_22?s=electronics&ie=UTF8&qid=1410209701&sr=1-22&keywords=fintie+case](http://www.amazon.com/Fintie-iPad-mini-Retina-Display/dp/B009T4K9BS/ref=sr_1_22?s=electronics&ie=UTF8&qid=1410209701&sr=1-22&keywords=fintie+case)).

<http://phandroid.com/2012/07/23/lenovos-transformer-like-ideatab-s2110-now-available-for-343-this-ones-a-looker/> Posted Jul. 23, 2012.

“Introducing the Convertible Magazine Jacket for iPad,” goincase.com, accessed at <http://goincase.com/blog/2010/11/23/introducing-the-convertible-magazine--jacket-for-ipad/>, posted Nov. 23, 2010. “Lenovo’s Transformer-Like IdeaTab S2110 Now Available for \$343 (This One’s A Looker);” <http://phandroid.com/2012/07/23/lenovos-transformer-like-ideatab-s2110-now-available-for-343-this-ones-a-looker/ideatab-s2110-tablet-pc-cover-111-9-40x475/>; dated Jul. 23, 2012; accessed Mar. 6, 2014.

“Marware Microshell Folio Case for the new iPad (iPad3)—Instructional Video,” [Retrieved on Mar. 16, 2012]. Retrieved from the Internet: (URL: [www.youtube.com/watch?v=ptMyEOOcMP8](http://www.youtube.com/watch?v=ptMyEOOcMP8)). “Marware Microshell Folio New iPad Case Review HD;” [www.youtube.com/watch?v=k40B5C5Xq7U](http://www.youtube.com/watch?v=k40B5C5Xq7U); dated Jul. 27, 2012.

“Marware MicroShell for the New iPad;” dated May 27, 2012; accessed at <http://www.youtube.com/watch?v=W2v13GIHWEU>; accessed on Aug. 6, 2013.

“Original Targus Folding Genuine Leather Case for Apple iPad with Built-in Holder,” [www.case-parts.com](http://www.case-parts.com), accessed at <http://www.case-parts.com/details/Original-Targus-Folding-Genuine-Leather--Case-for-Apple-.../>, accessed on Mar. 25, 2011.

“Speck PixelSkin HD Wrap iPad 2 Case;” <http://gadgetsins.com/speck-pixelskin-hd-wrap-ipad-2-case.htm>, dated Mar. 17, 2011, accessed on Mar. 6, 2014.

“Review: AViiQ Smart Case for iPad 2”, which was published on YouTube, [retrieved on May 24, 2011]. Retrieved from the Internet: (URL: <http://www.youtube.com/watch?v=DaHjzeVWEuA>), 3 pages.

“The Bendy Wooden iPad case now with added hinge;” <http://www.cultofmac.com/165911/mini2-the-bendy-wooden-ipad-case-now-with-added-hinge/>; dated May 9, 2012.

The First iPad 2 Smart Cover Clones are Here, which was published on GIZMODO.com at <http://gizmodo.com/5782270/the-first-ipad-2-smart-cover-clones-are-here>, Mar. 15, 2011, 2 pages.

“The New iPad Leather Case Leinwand Series;” <http://aspotter.com/2012/08/11/the-new-ipad-leather-case-leinwand-series--by-spigenreview/>; dated Aug. 11, 2012.

“Wooden iPad 2 Case;” <http://gadgetsins.com/mini2-wooden-ipad-2-case.htm>; dated Dec. 6, 2011.

Youtube.com, “iPad 2—Best Protective Case—Smart Cover + Smart Cover Back by Simplism”, (<http://www.youtube.com/watch?v=SRHhU98NAd0&feature=endscreen&NR=1>), May 15, 2011.

\* cited by examiner

*Primary Examiner* — Sandra Snapp

*Assistant Examiner* — Altaira J Swangin

(74) *Attorney, Agent, or Firm* — Sterne, Kessler, Goldstein & Fox P.L.L.C.

(57)

## CLAIM

The ornamental design for a cover, as shown and described.

## DESCRIPTION

FIG. 1 is a bottom front perspective view of a cover showing the claimed design;

FIG. 2 is a front view thereof;

FIG. 3 is a rear view thereof;

FIG. 4 is a left side view thereof;

FIG. 5 is a right side view thereof;

FIG. 6 is a top view thereof;

FIG. 7 is a bottom view thereof;

FIG. 8 is a side view of the cover of FIGS. 1-7 in an alternate configuration and in an environment of use;

FIG. 9 is another side view thereof in a second alternate configuration and in an environment of use;

FIG. 10 is another side view thereof in a third alternate configuration and in an environment of use;

FIG. 11 is a bottom front perspective view of a second embodiment of a cover showing the claimed design;

FIG. 12 is a front view thereof;

FIG. 13 is a rear view thereof;

FIG. 14 is a left side view thereof;

FIG. 15 is a right side view thereof;

FIG. 16 is a top view thereof;

FIG. 17 is a bottom view thereof;

FIG. 18 is a side view of the cover of FIGS. 11-17 in an alternate configuration and in an environment of use;

FIG. 19 is another side view thereof in a second alternate configuration and in an environment of use; and,

FIG. 20 is another side view thereof in a third alternate configuration and in an environment of use.

The broken lines in the figures show environment that forms no part of the claimed design.

1 Claim, 12 Drawing Sheets

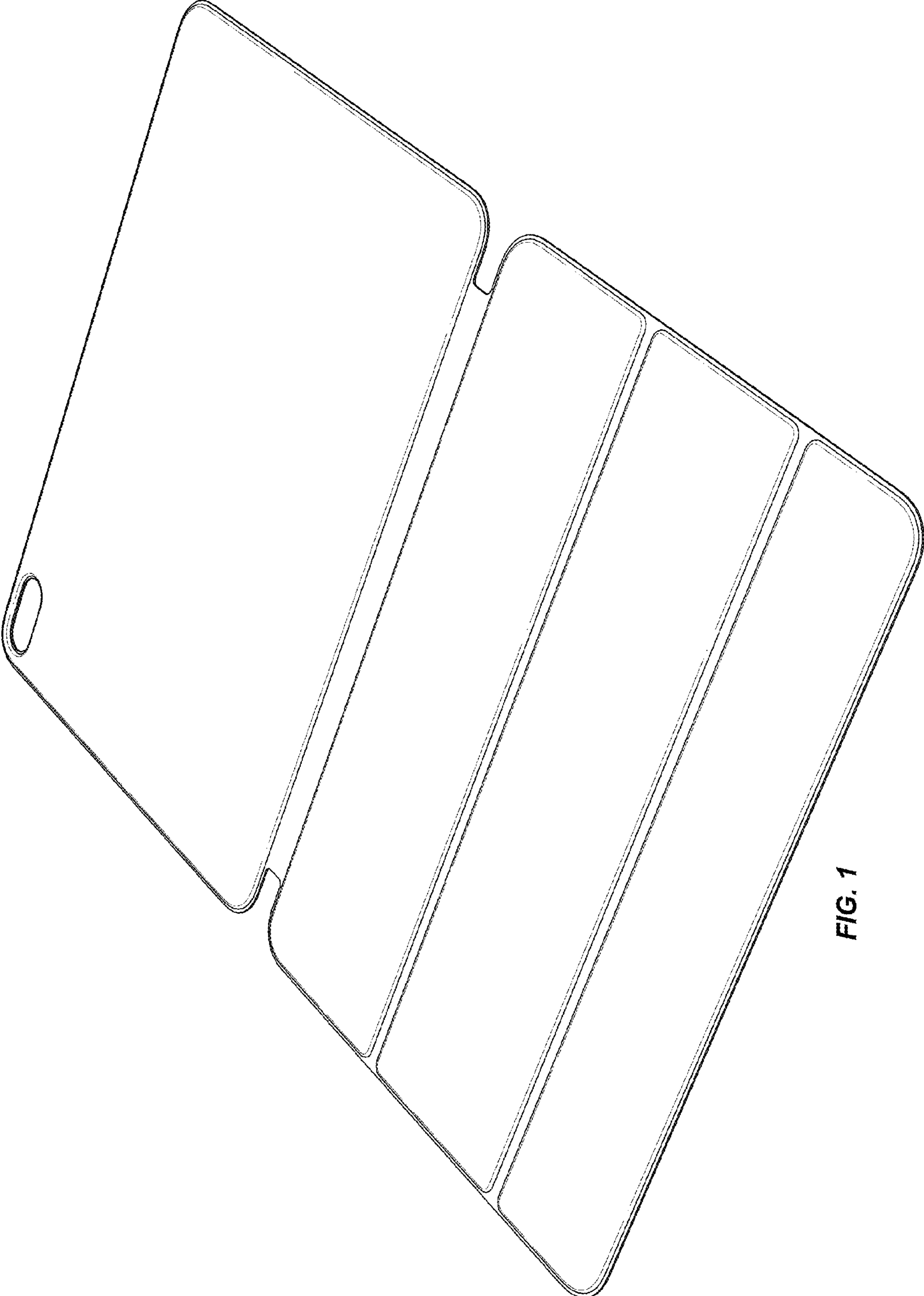


FIG. 1

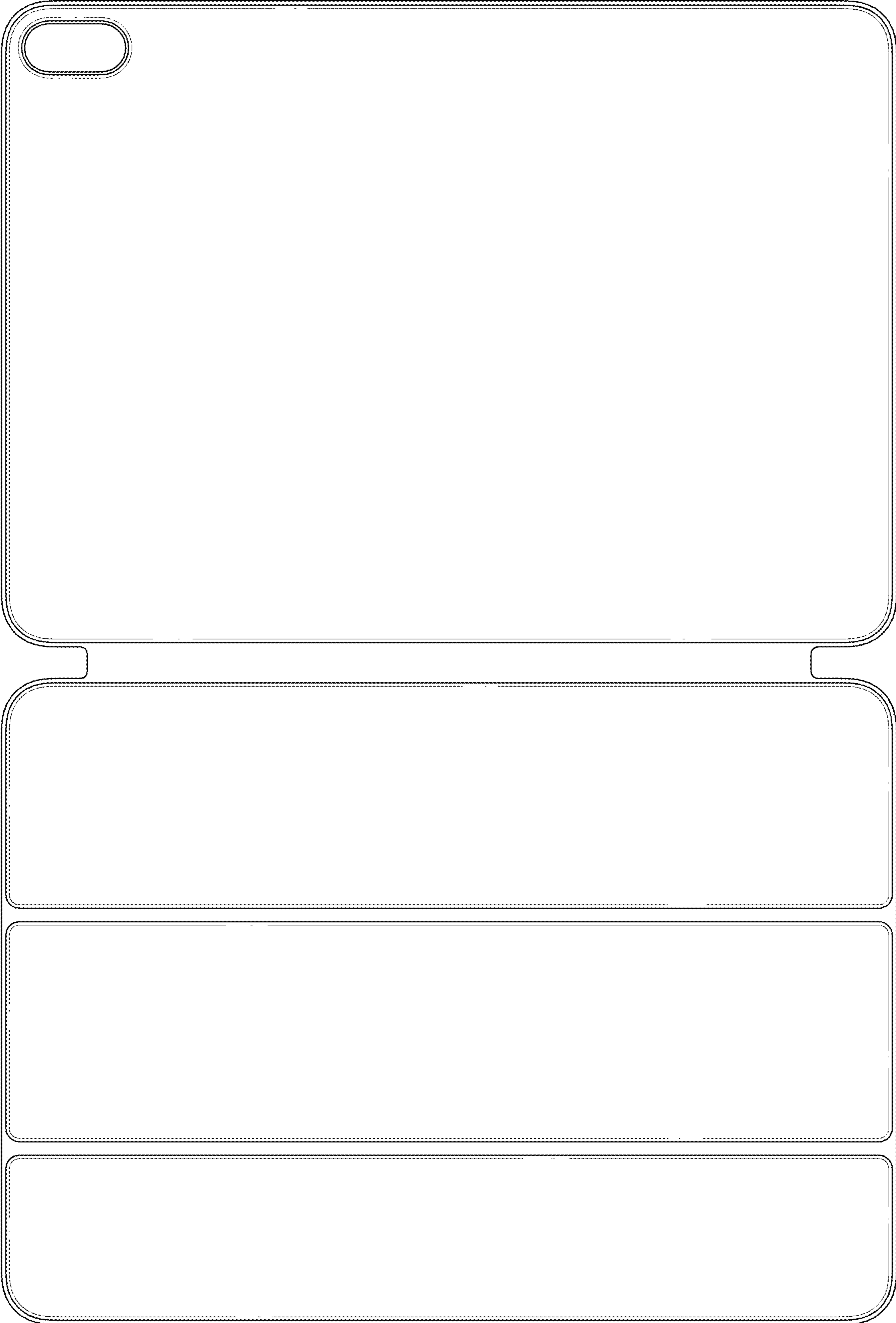
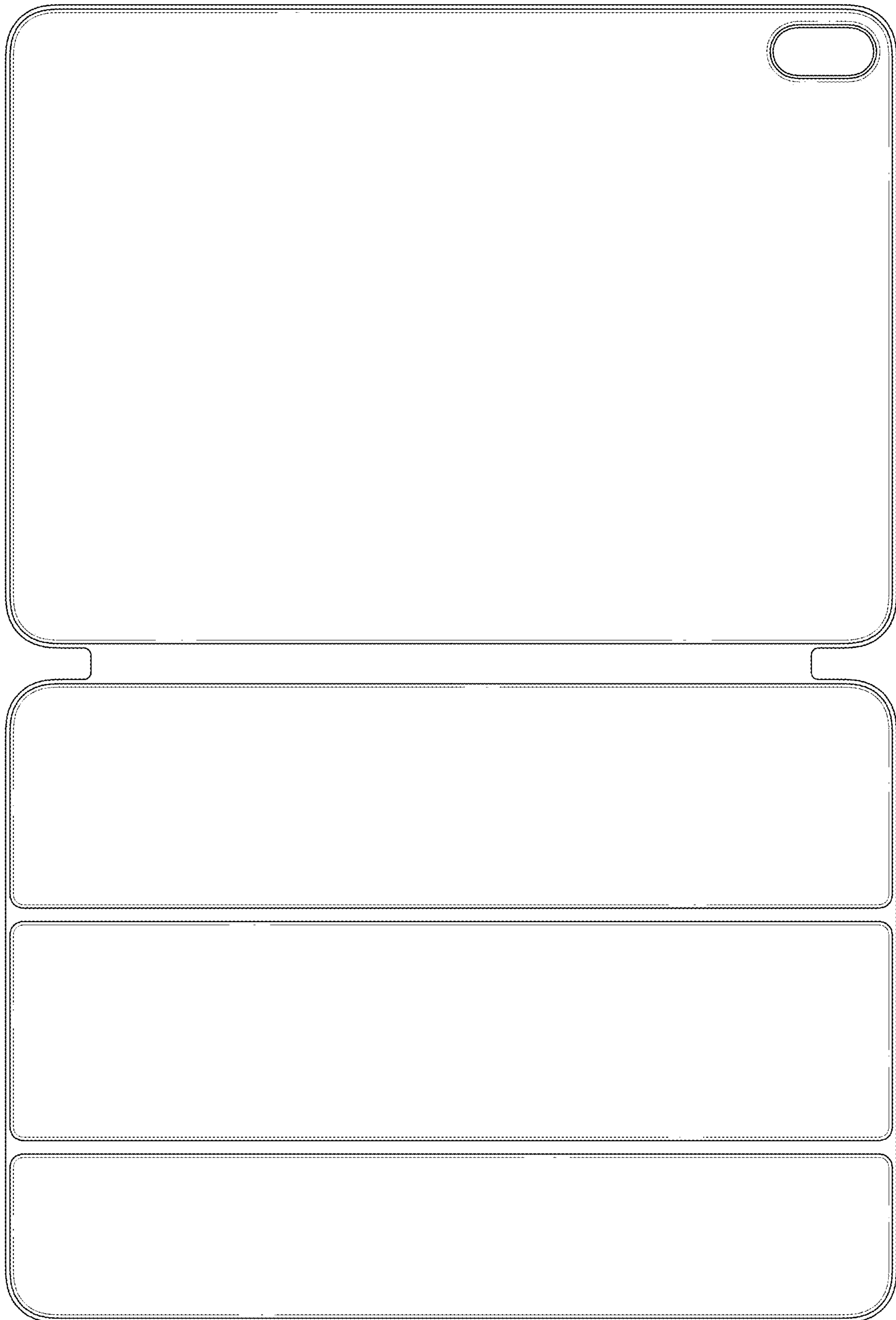


FIG. 2



**FIG. 3**



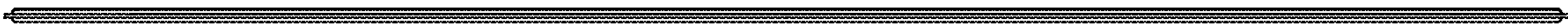
**FIG. 4**



**FIG. 5**



***FIG. 6***



***FIG. 7***



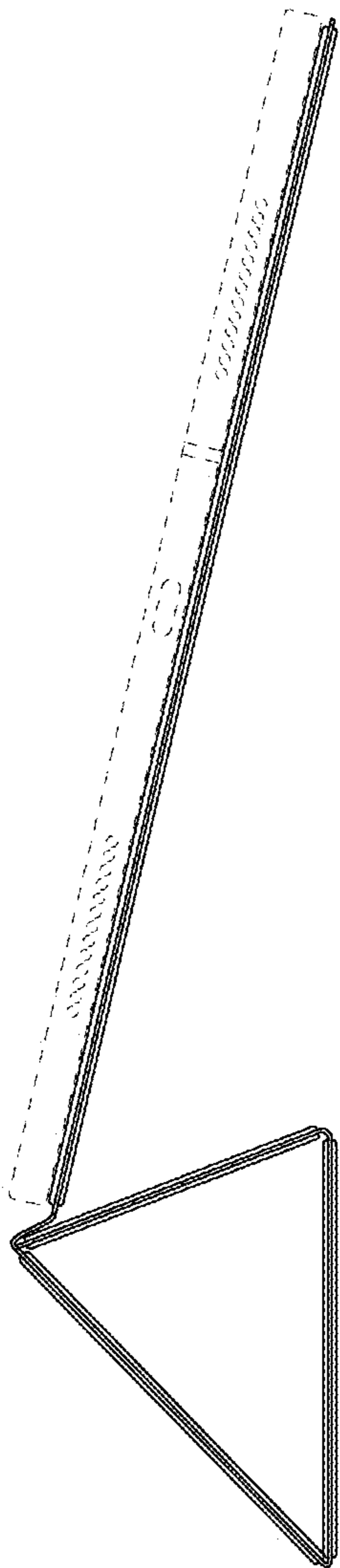


FIG. 8

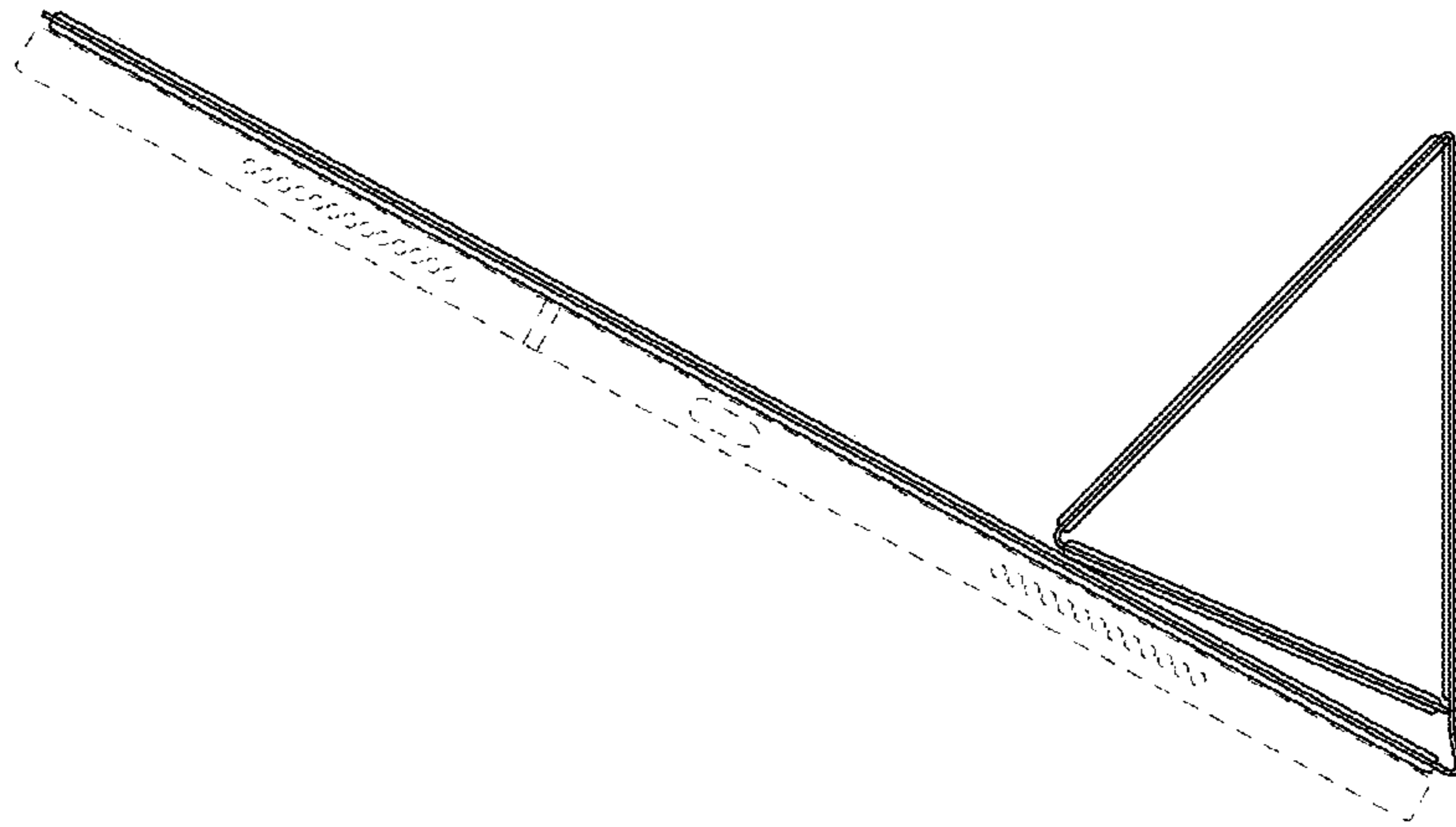


FIG. 9



FIG. 10

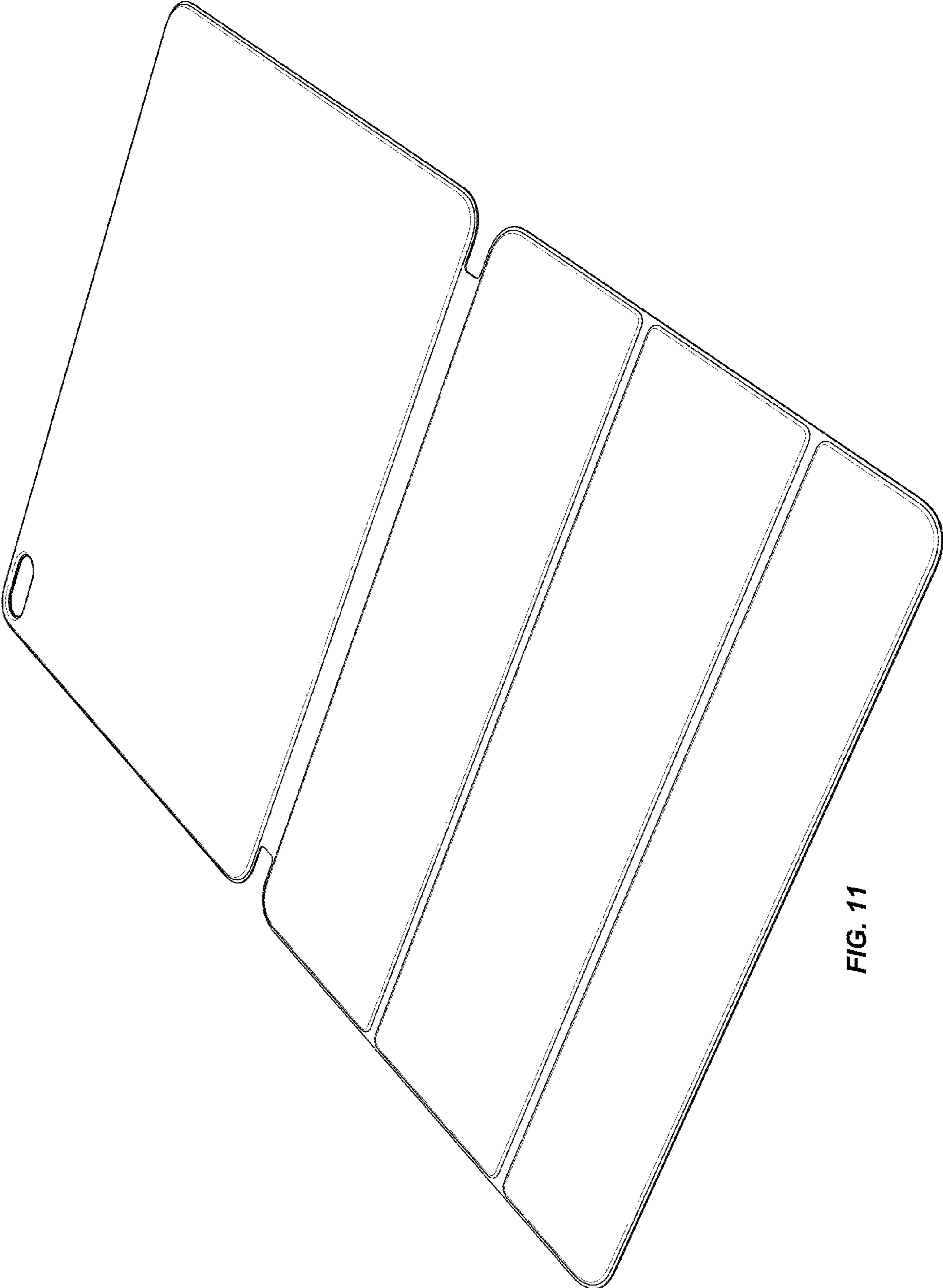


FIG. 11

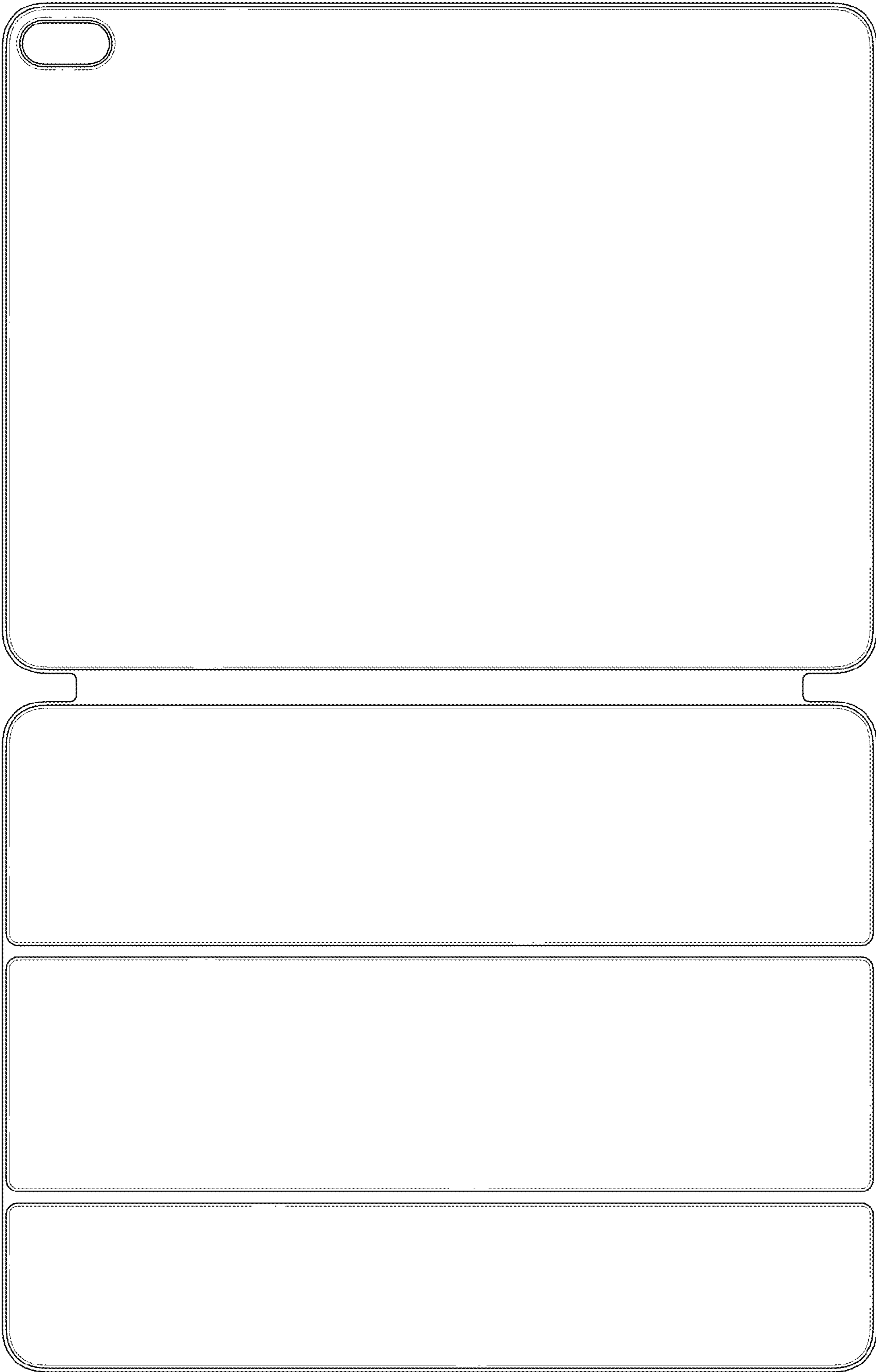
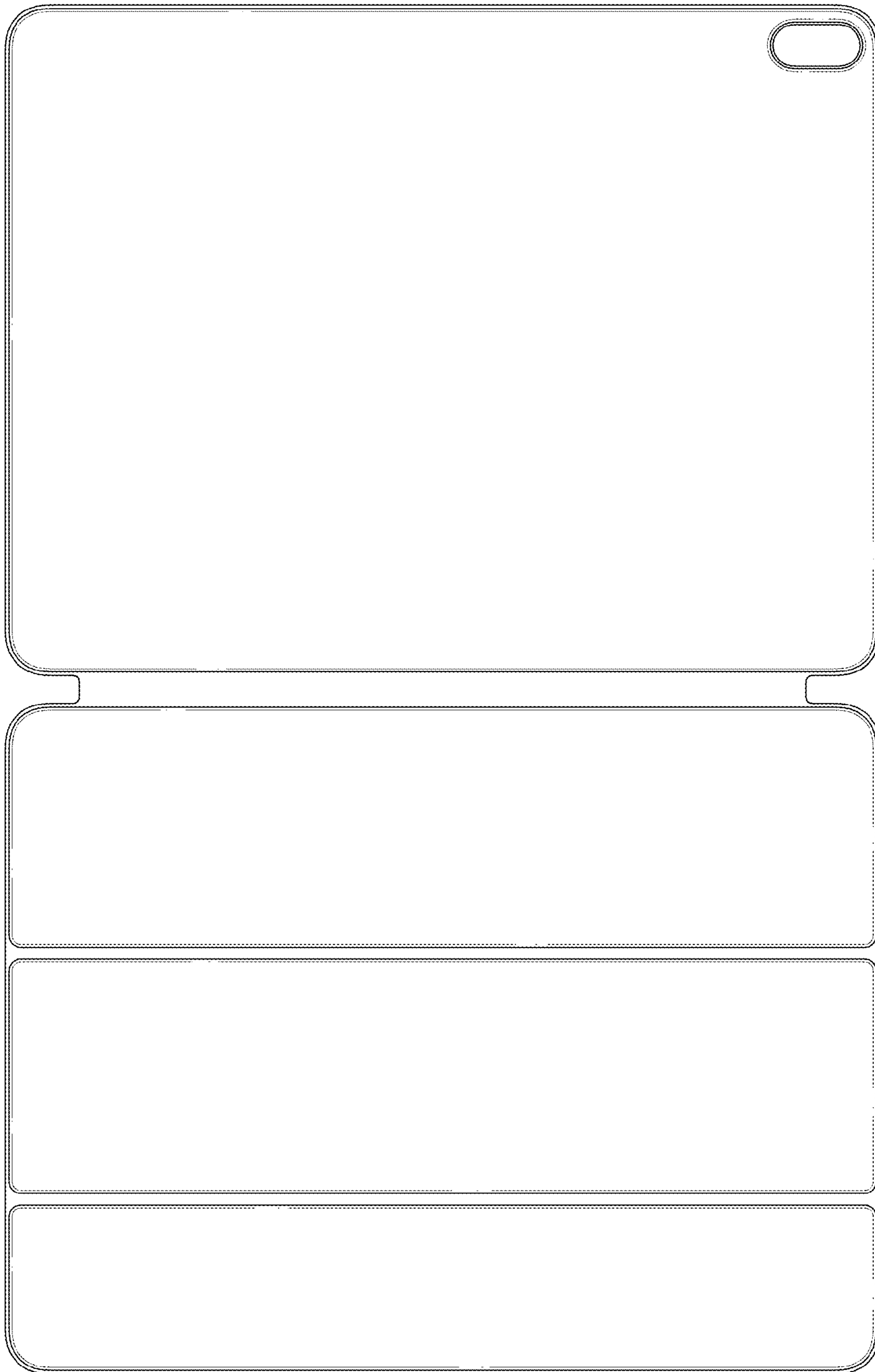


FIG. 12



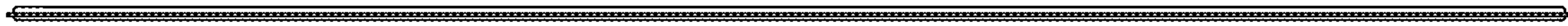
**FIG. 13**



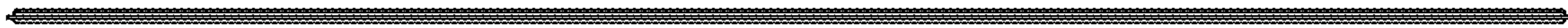
**FIG. 14**



**FIG. 15**



***FIG. 16***



***FIG. 17***

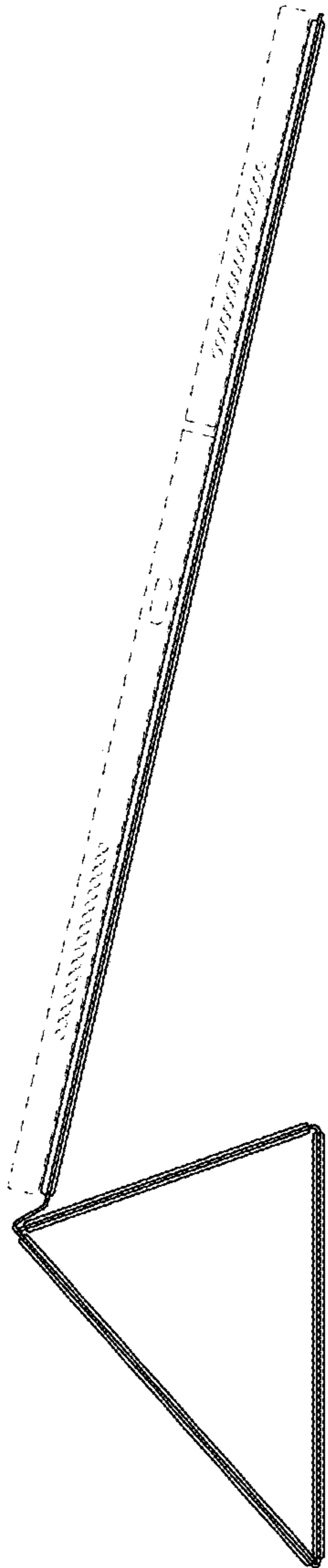


FIG. 18

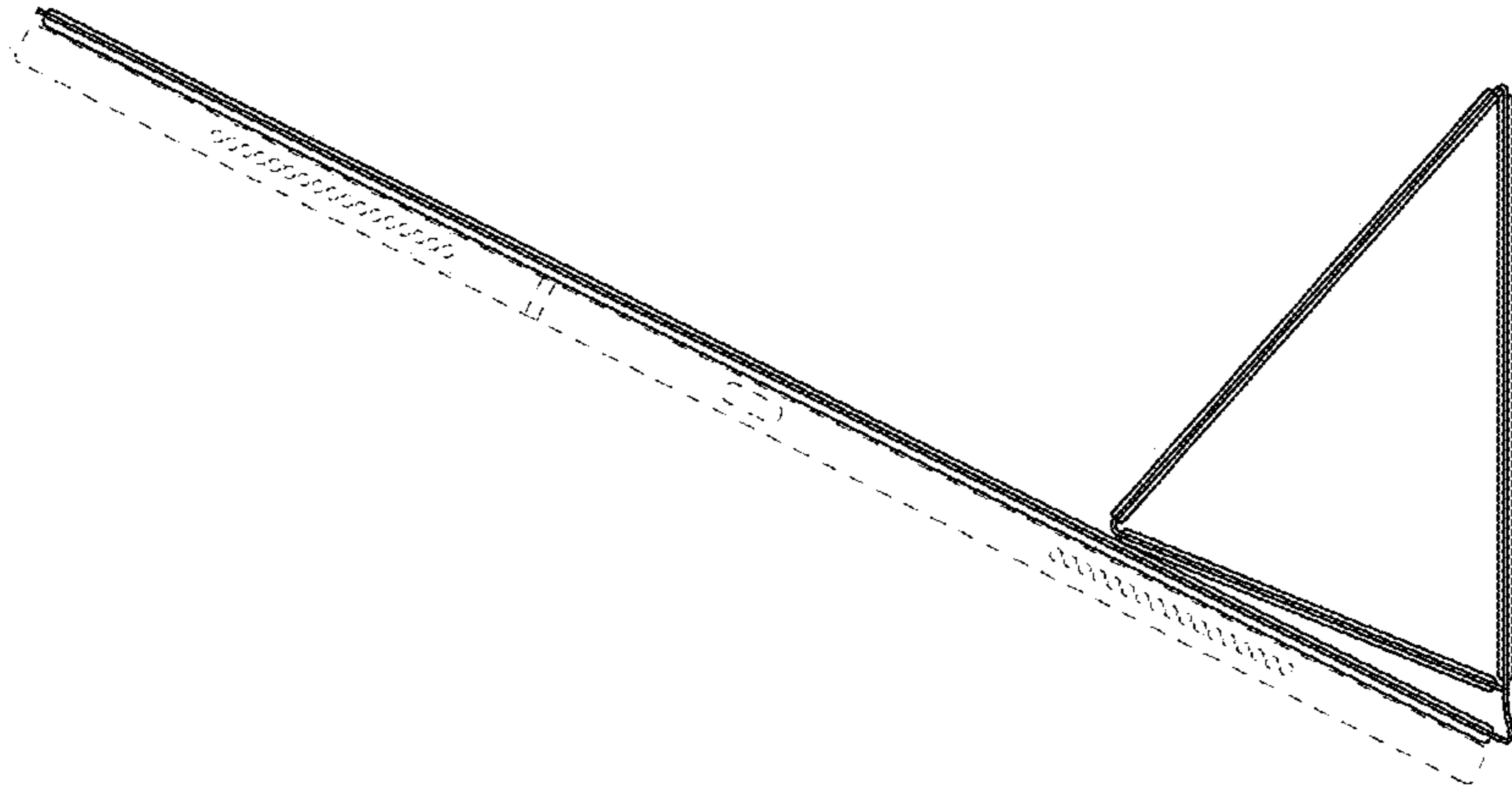


FIG. 19



FIG. 20