



US00D947854S

(12) **United States Design Patent**  
**Nedrelow**

(10) **Patent No.:** **US D947,854 S**  
(45) **Date of Patent:** **\*\* Apr. 5, 2022**

(54) **MOBILE COMPUTING DEVICE CASE AND WORKSTATION MAT**

(71) Applicant: **Scott Nedrelow**, Willmar, MN (US)

(72) Inventor: **Scott Nedrelow**, Willmar, MN (US)

(\*\*) Term: **15 Years**

(21) Appl. No.: **29/748,210**

(22) Filed: **Aug. 27, 2020**

(51) **LOC (13) Cl.** ..... **14-02**

(52) **U.S. Cl.**  
USPC ..... **D14/440**

(58) **Field of Classification Search**  
USPC ..... D3/274, 276, 285, 289, 290, 306, 313,  
D3/203.1, 203.6, 205, 226, 230, 232, 242,  
(Continued)

(56) **References Cited**

U.S. PATENT DOCUMENTS

D471,008 S \* 3/2003 Dubone ..... D3/247  
6,604,618 B1 \* 8/2003 Godshaw ..... A45C 3/02  
190/1

(Continued)

FOREIGN PATENT DOCUMENTS

CA 183681 \* 11/2019  
CA 177011 \* 7/2020

(Continued)

OTHER PUBLICATIONS

Betterlivingthroughdesign.com, Site visited Dec. 15, 2021, "Laptop Sleeves" features a writeup from "Kris" on Apr. 12, 2011 titled "Simple Ipad Sleeve—Grey Wool Felt from byrd and belle" <https://www.betterlivingthroughdesign.com/category/personal/bags/laptop-sleeves/> (Year: 2011).\*

(Continued)

*Primary Examiner* — Brett Miller

*Assistant Examiner* — Jessica M Gebhart

(74) *Attorney, Agent, or Firm* — Patterson Thuent Pedersen, P.A.

(57) **CLAIM**

The ornamental design for a mobile computing device case and workstation mat, as shown and described.

**DESCRIPTION**

FIG. 1 is perspective view depicting the mobile computing device case and workstation mat in a flat, open desk mat configuration.

FIG. 2 is a perspective view depicting the mobile computing device case and workstation mat of FIG. 1 in transition between the flat, open desk mat configuration and a sealed folio configuration.

FIG. 3 is a perspective view depicting the mobile computing device case and workstation mat of FIG. 2 in the sealed folio configuration.

FIG. 4 is a perspective view depicting the mobile computing device case and workstation mat in a flat, open desk mat configuration.

FIG. 5 is an alternate perspective view depicting the mobile computing device case and workstation mat of FIG. 4 in the flat, open desk mat configuration.

FIG. 6 is a perspective view depicting the mobile computing device case and workstation mat of FIG. 5 in a sealed folio configuration.

FIG. 7 is a plan view depicting the mobile computing device case and workstation mat of FIG. 4 in the open desk mat or pad configuration.

FIG. 8 is a first profile view depicting the mobile computing device case and workstation mat of FIG. 7.

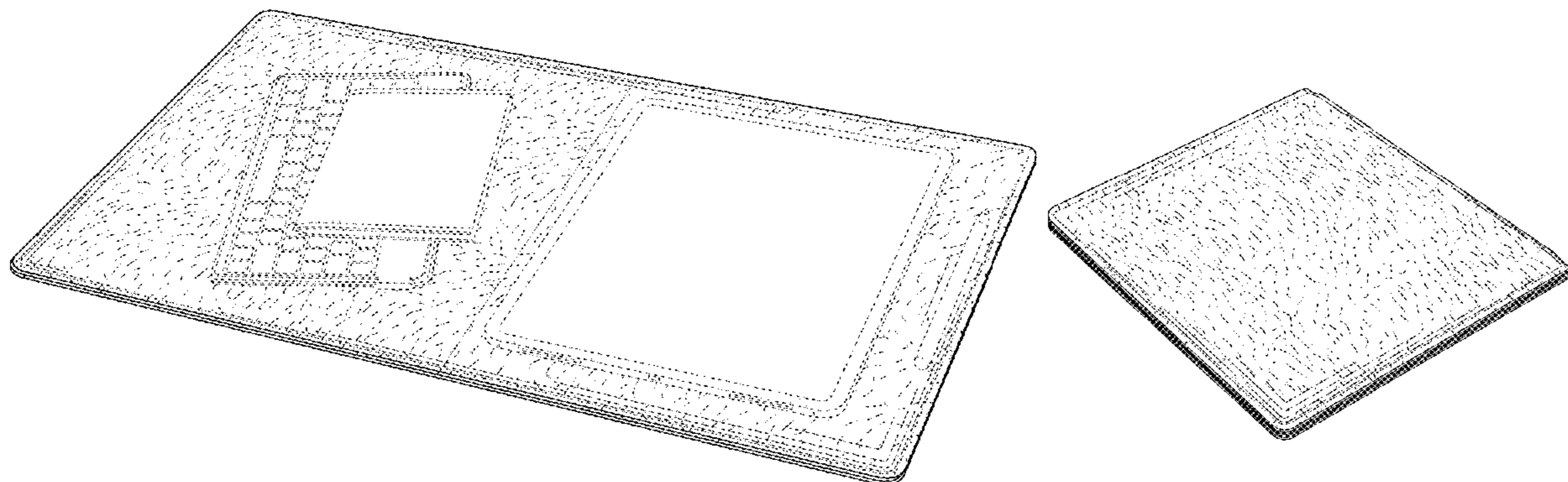
FIG. 9 is a second profile view depicting the mobile computing device case and workstation mat of FIG. 7.

FIG. 10 is a plan view depicting the mobile computing device case and workstation mat of FIG. 6 in the sealed folio or pouch configuration.

FIG. 11 is a first profile view depicting the mobile computing device case and workstation mat of FIG. 10; and,

FIG. 12 is a second profile view depicting the mobile computing device case and workstation mat of FIG. 10.

(Continued)





In each of the figures, portions or features shown in small dashed lines illustrate stitching forming part of the claimed mobile computing device case and workstation mat, while portions of feature shown in large even broken lines (e.g., representing examples of objects positioned on the mobile computing device case and workstation mat) form no part of the claimed design.

**1 Claim, 6 Drawing Sheets**

(58) **Field of Classification Search**

USPC ..... D3/245, 246, 267, 268, 273, 275, 283, D3/284, 286, 287, 288, 294, 295, 301, D3/303, 900, 901, 903, 201, 215, 218, D3/221, 222, 228, 240, 251, 270, 271.9, D3/296, 247, 34, 74, 78, 298, 75, 262, D3/299; D7/607, 609; D27/172, 183, D27/186, 190, 191; D28/73, 76, 99; D9/420, 709, 423; D19/26, 57, 62, 113, D19/157; D14/250, 440, 447; D6/582, D6/583  
 CPC .... A45C 1/02; A45C 3/00; A45C 3/02; A45C 3/04; A45C 3/06; A45C 3/004; A45C 5/00; A45C 5/03; A45C 5/04; A45C 5/08; A45C 11/18; A45C 7/00; A45C 9/00; A45C 11/26; B42D 5/005; B65D 81/02; B65D 81/022; B65D 83/02; B65D 85/00; B65D 85/08; B65D 85/10; B65D 85/12; B65D 85/14; B65D 25/08; G09B 1/06; G09F 1/00; A61C 19/10

See application file for complete search history.

(56) **References Cited**

U.S. PATENT DOCUMENTS

7,277,081 B2 10/2007 Ukita et al.  
 D576,785 S 9/2008 Termeer  
 D589,289 S \* 3/2009 Laure ..... D6/582  
 8,235,208 B2 8/2012 Sirichai et al.  
 D666,860 S \* 9/2012 Lubart ..... D6/583  
 8,355,248 B2 \* 1/2013 Nishi ..... G06F 1/203  
 361/679.55  
 D689,054 S \* 9/2013 Snyder ..... D14/440  
 8,567,578 B2 10/2013 Cuong et al.  
 D729,810 S \* 5/2015 Klusener ..... D14/440  
 9,474,345 B2 \* 10/2016 Smith ..... G06F 1/1626  
 D773,471 S \* 12/2016 Lakraa ..... D14/440  
 D787,520 S \* 5/2017 Wall ..... D14/440  
 9,750,321 B2 9/2017 Kandel  
 D805,080 S \* 12/2017 Lakraa ..... D14/440  
 D811,484 S \* 2/2018 Sumii ..... D21/332  
 D811,773 S \* 3/2018 Yang ..... D6/582  
 D830,697 S \* 10/2018 Pettinga ..... D3/303

D851,093 S \* 6/2019 Moore ..... D14/440  
 D852,198 S \* 6/2019 Moore ..... D14/440  
 D852,800 S \* 7/2019 Casilio ..... D14/440  
 D879,503 S \* 3/2020 Fu ..... D6/582  
 10,901,459 B1 1/2021 Nedrelow  
 D924,244 S \* 7/2021 Akana ..... D14/440  
 D936,660 S \* 11/2021 He ..... D14/447  
 2005/0098594 A1 5/2005 Truong  
 2006/0144662 A1 7/2006 Hu  
 2008/0272015 A1 \* 11/2008 Ruhle ..... A45C 7/0077  
 206/216  
 2010/0116860 A1 5/2010 Tello  
 2010/0243393 A1 \* 9/2010 Mahu ..... A45C 11/00  
 190/107  
 2011/0001313 A1 \* 1/2011 Gwin ..... A45C 1/10  
 281/30  
 2013/0023721 A1 \* 1/2013 Matheny ..... A61K 38/18  
 600/16  
 2014/0216954 A1 \* 8/2014 Law ..... A45F 5/02  
 206/45.23  
 2014/0274204 A1 9/2014 Williams et al.  
 2018/0317572 A1 11/2018 Guttman et al.  
 2019/0134484 A1 \* 5/2019 Bova ..... A45F 3/14

FOREIGN PATENT DOCUMENTS

CN 303453972 \* 11/2015  
 CN 305961798 \* 8/2020

OTHER PUBLICATIONS

amazon.com, Site visited Dec. 14, 2021, RAINYEAR 14 inch Laptop Sleeve Protective Case, First Available Nov. 8, 2017, <https://www.amazon.com/RAINYEAR-Protective-Accessories-Compatible-Chromebook/dp/B07873YMFV?th=1> (Year: 2017).  
 nymag.com, Site visited Dec. 15, 2021, "The Best Laptop Cases, According to (Tasteful) Tech Folk," by Karen Adelson published on Oct. 25, 2019, Features the Incase Icon Sleeve for MacBook Pro 13, <https://nymag.com/strategist/article/best-laptop-cases.html> (Year: 2019).  
 amazon.com, Site visited Dec. 14, 2021, Lenovo Yoga Laptop Sleeve, First Available Jan. 29, 2020, <https://www.amazon.com/Lenovo-Computer-Magnetic-Accessory-GX40X02934/dp/B084BKN9S5> (Year: 2020).  
 Web page printed Sep. 30, 2020, <https://www.nedrelow.com/products/together-sleeve-charcoal?variant=1942935132576>, 17 pages.  
 Web page printed Sep. 30, 2020, <https://www.nedrelow.com/products/wool-felt-zipper-pouch?variant=31203367682113>, 4 pages.  
 Web page printed Sep. 30, 2020, , <https://www.nedrelow.com/products/magic-sleeve?variant=31842686926913>, 17 pages.  
 Web page printed Sep. 30, 2020, <https://www.youtube.com/watch?v=WOMBL13Y0LY>, 1 page.  
 Web page printed Sep. 30, 2020, <https://www.youtube.com/watch?v=keb0fBTpP8>, 1 page.  
 Web page printed Sep. 30, 2020, <https://woolie.shop/products/woolie-magnetic-sleeve>, 4 pages.  
 U.S. Appl. No. 17/004,954, filed Aug. 27, 2020, Nedrelow.

\* cited by examiner

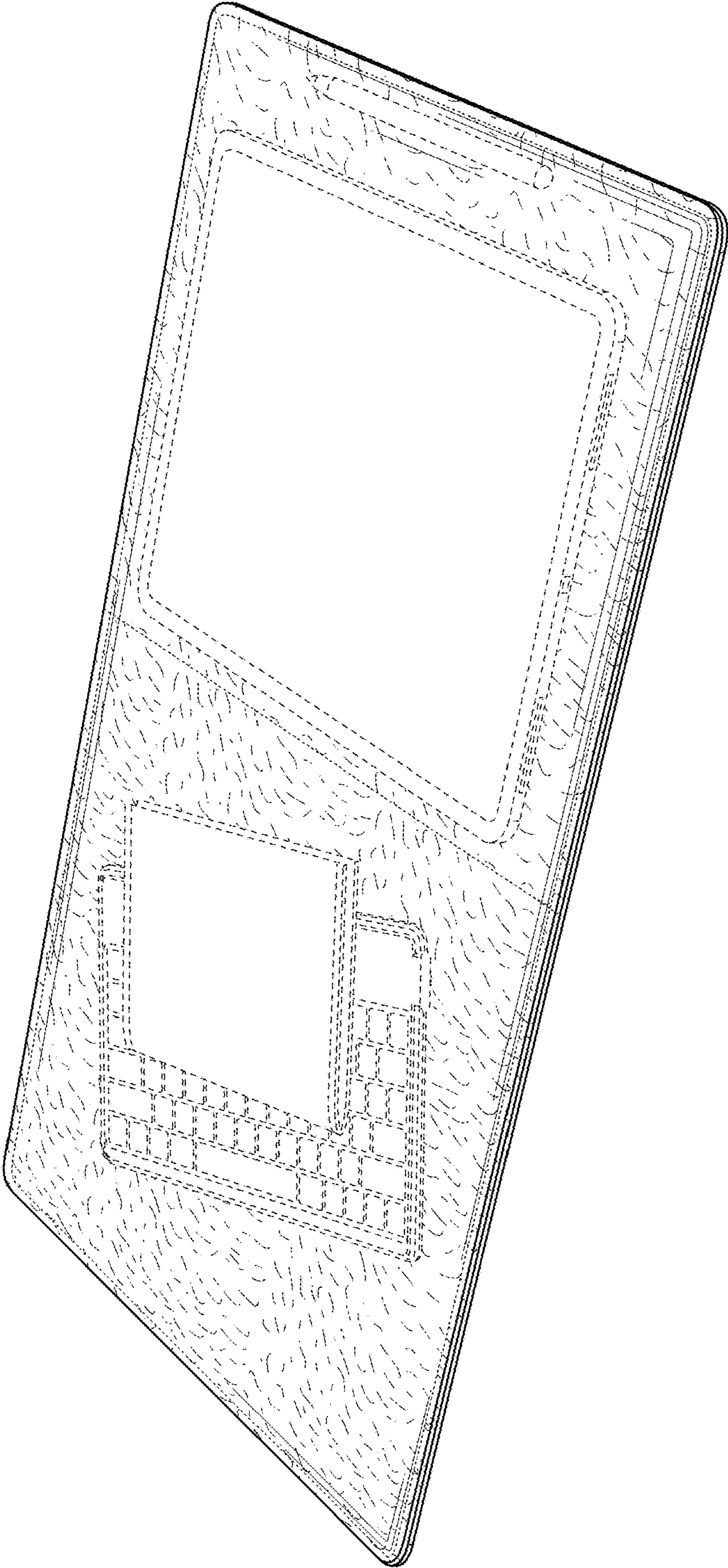


FIG. 1



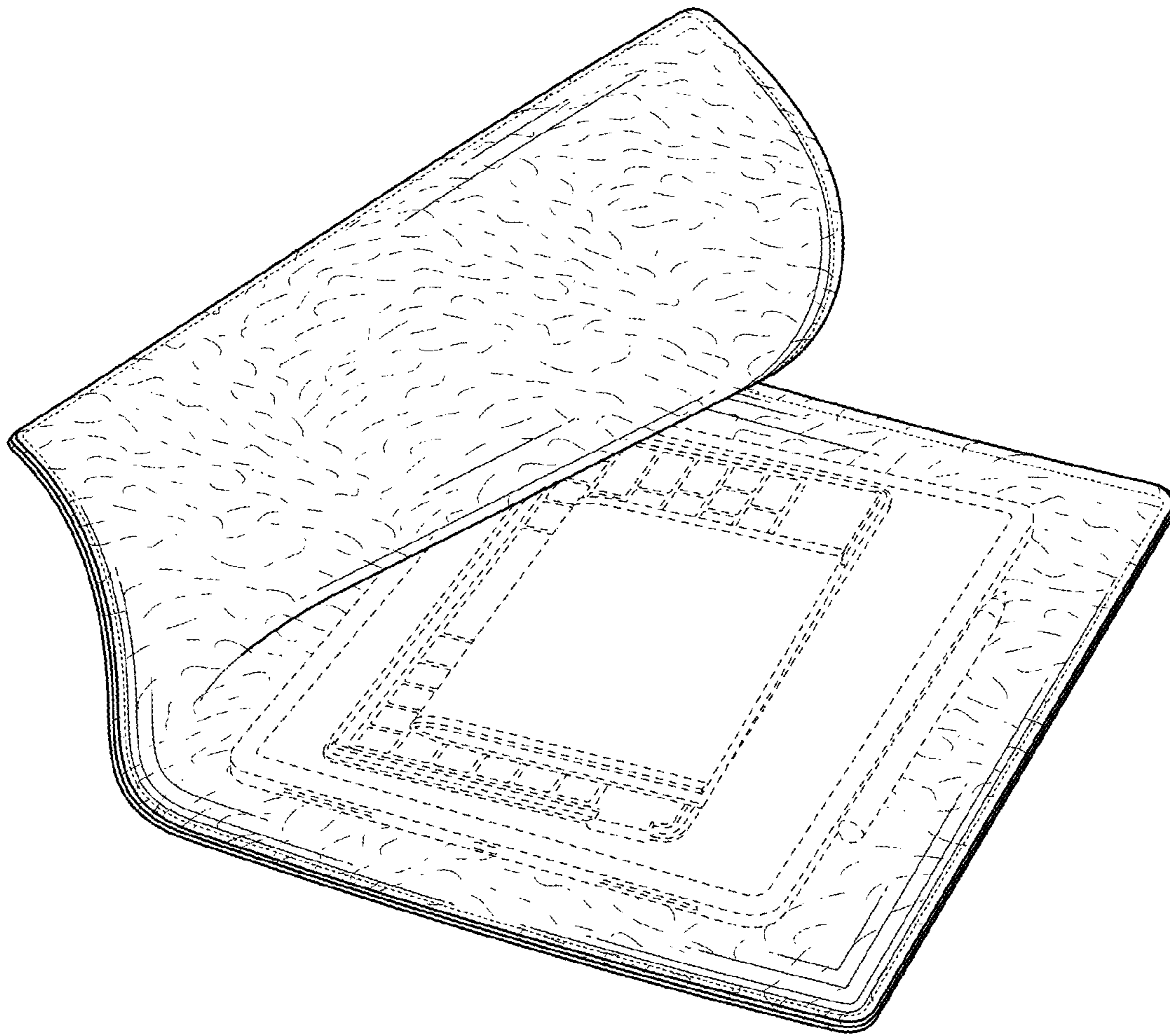


FIG. 2

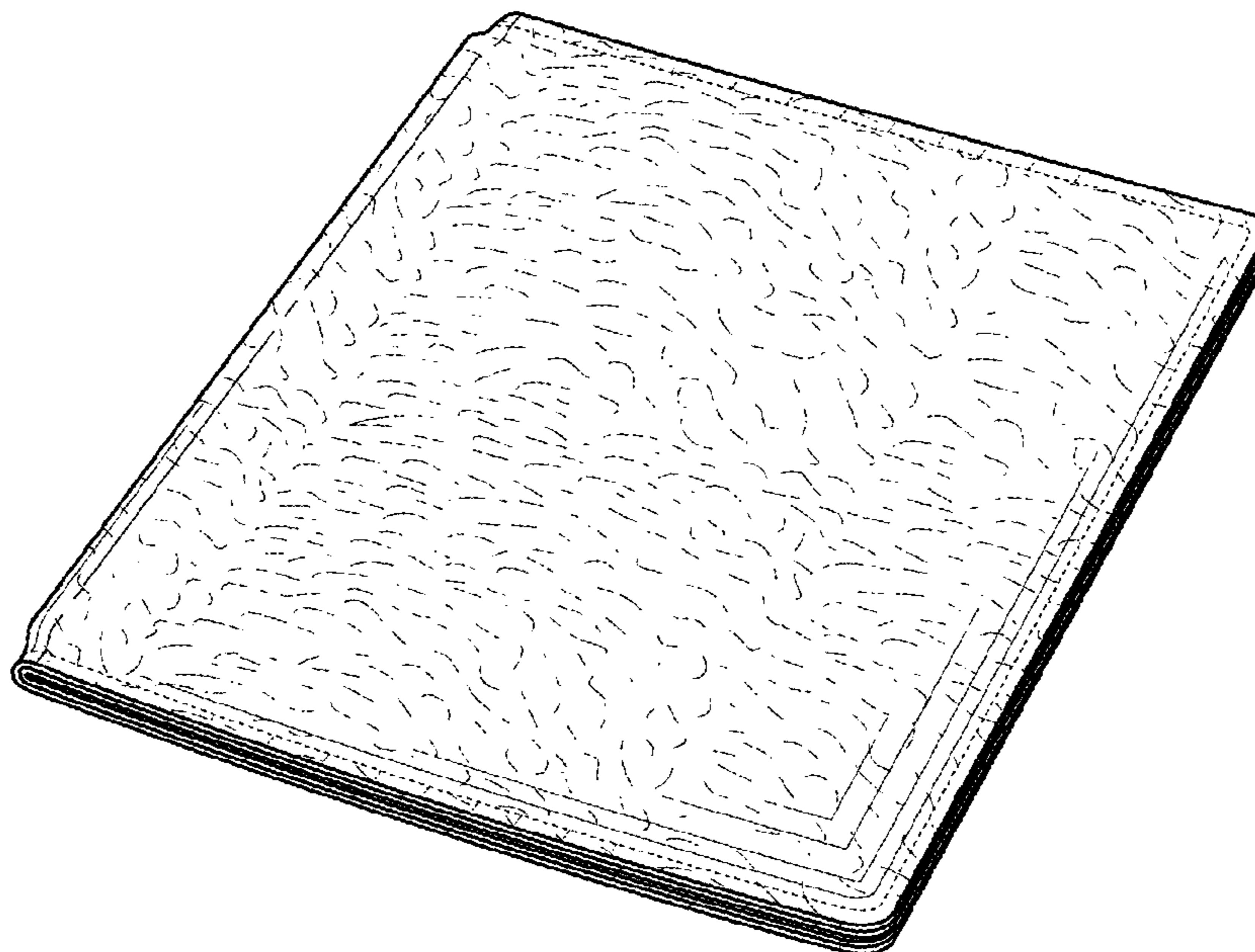


FIG. 3

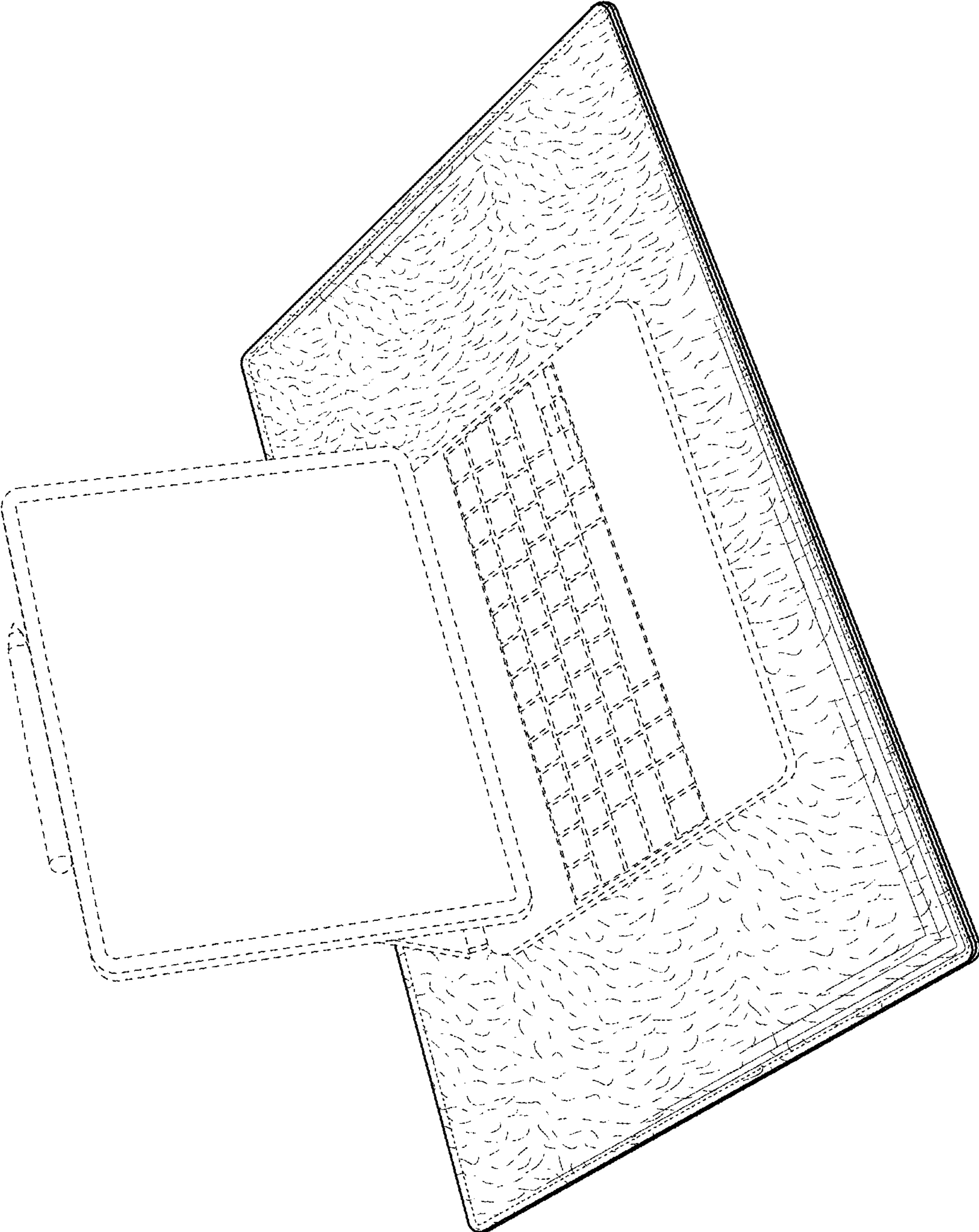


FIG. 4



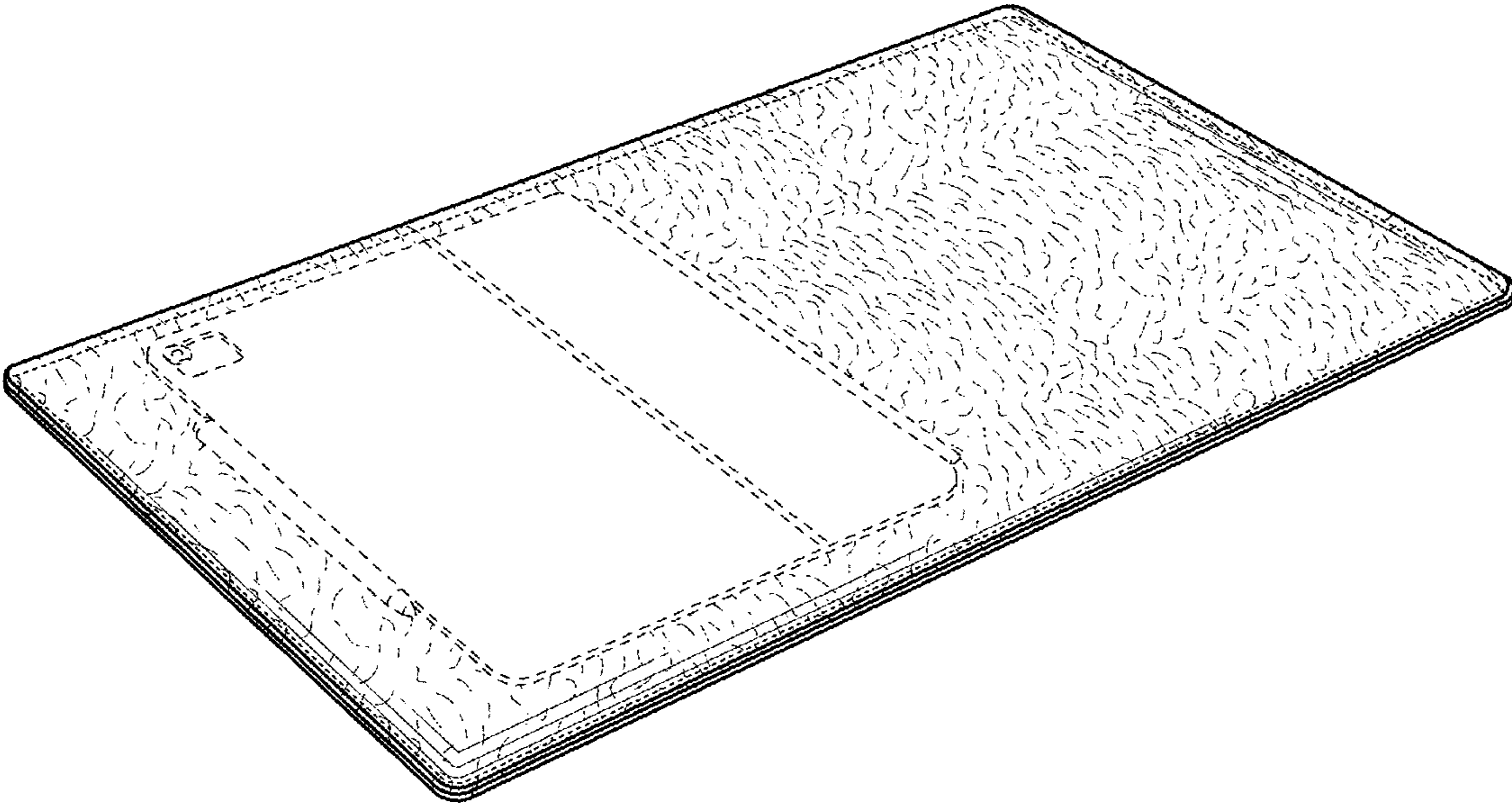


FIG. 5

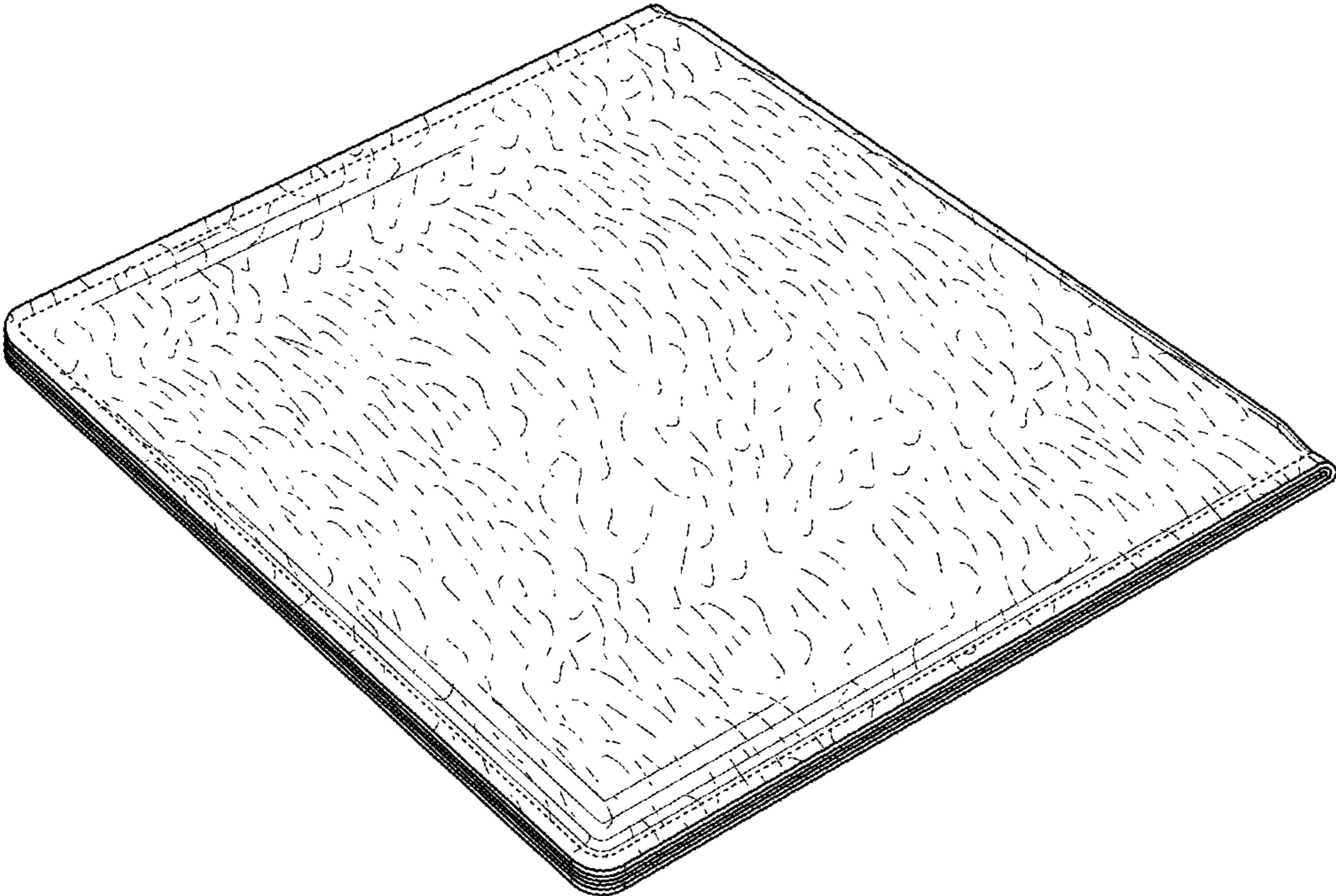


FIG. 6

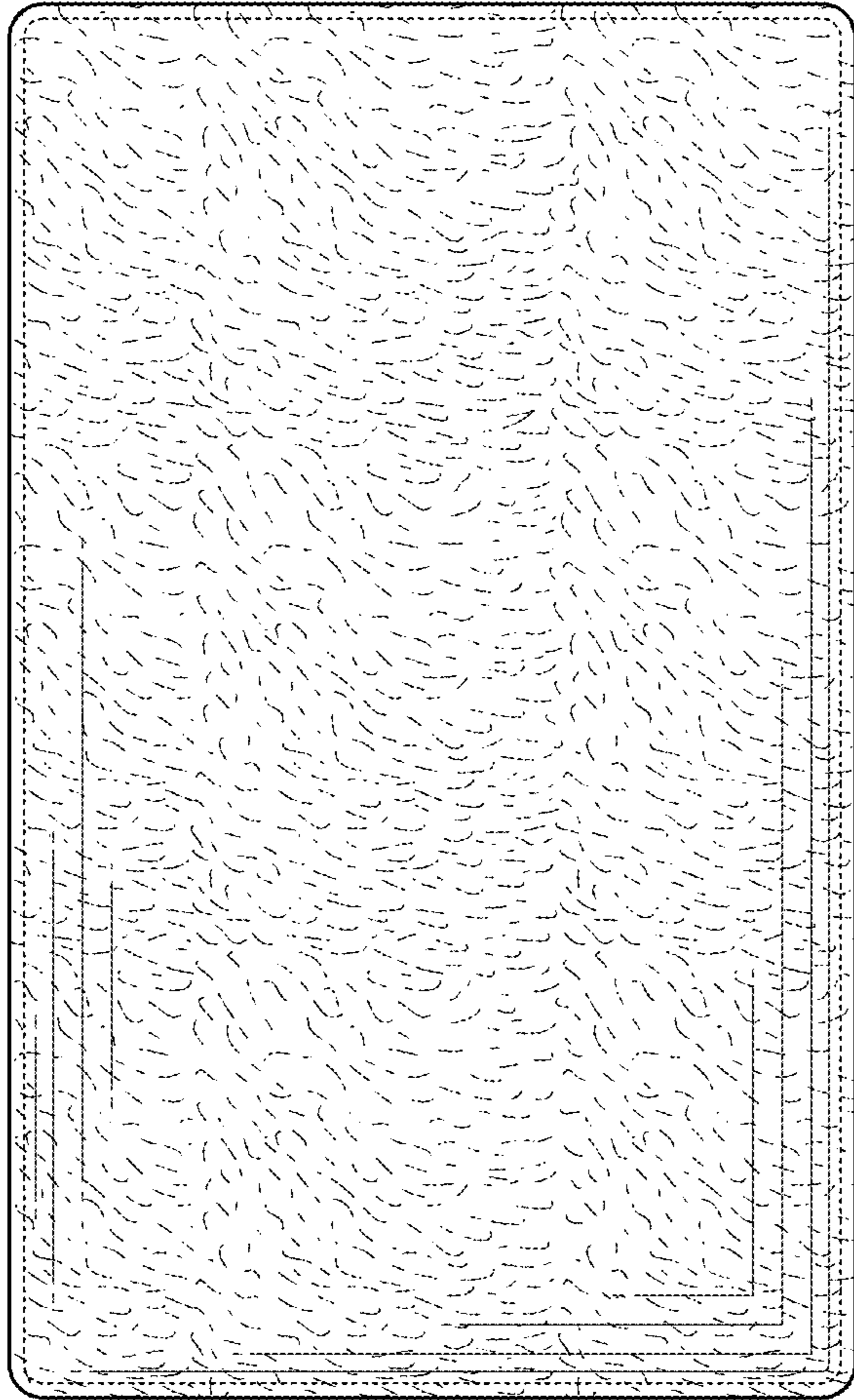


FIG. 7

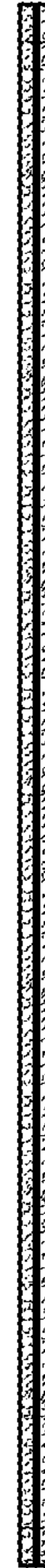


FIG. 8

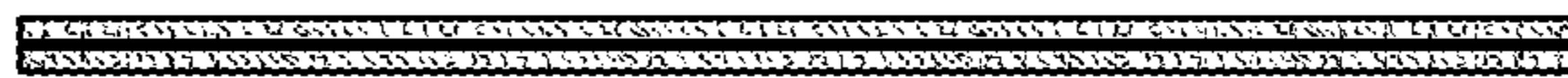


FIG. 9

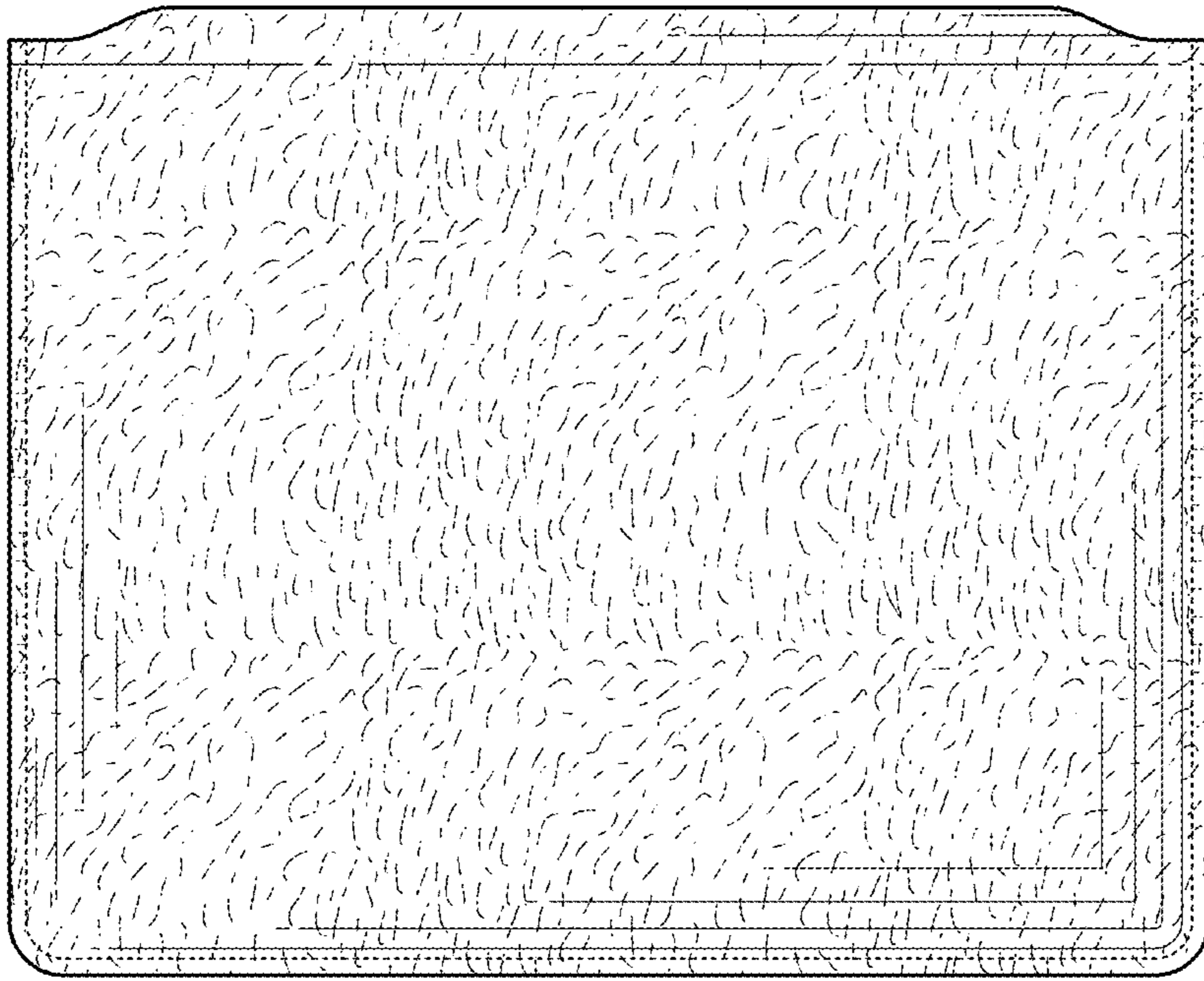


FIG. 10

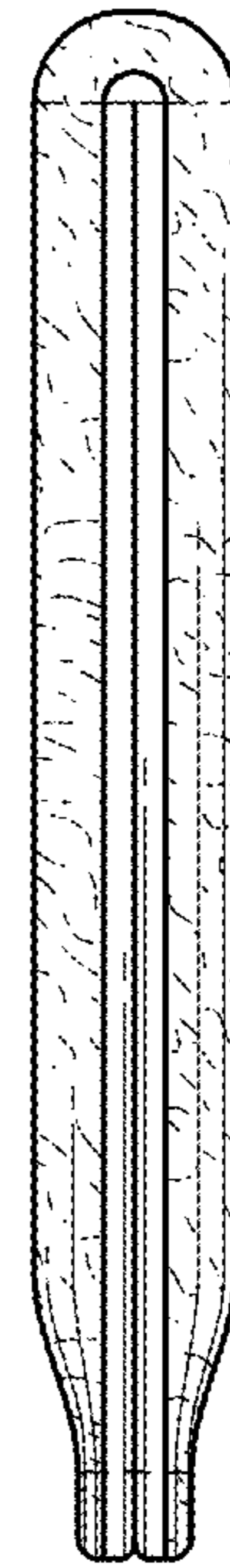


FIG. 11

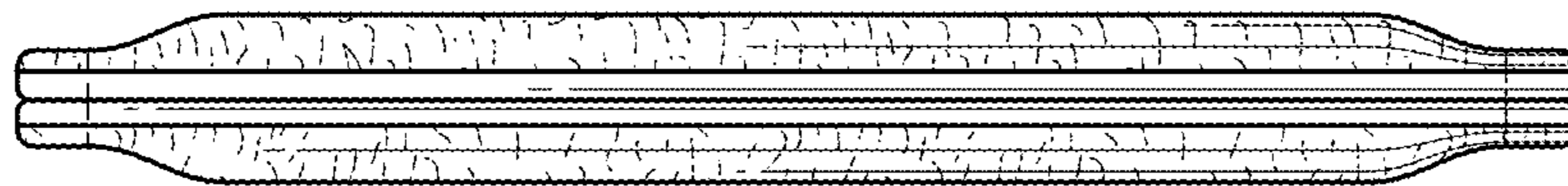


FIG. 12